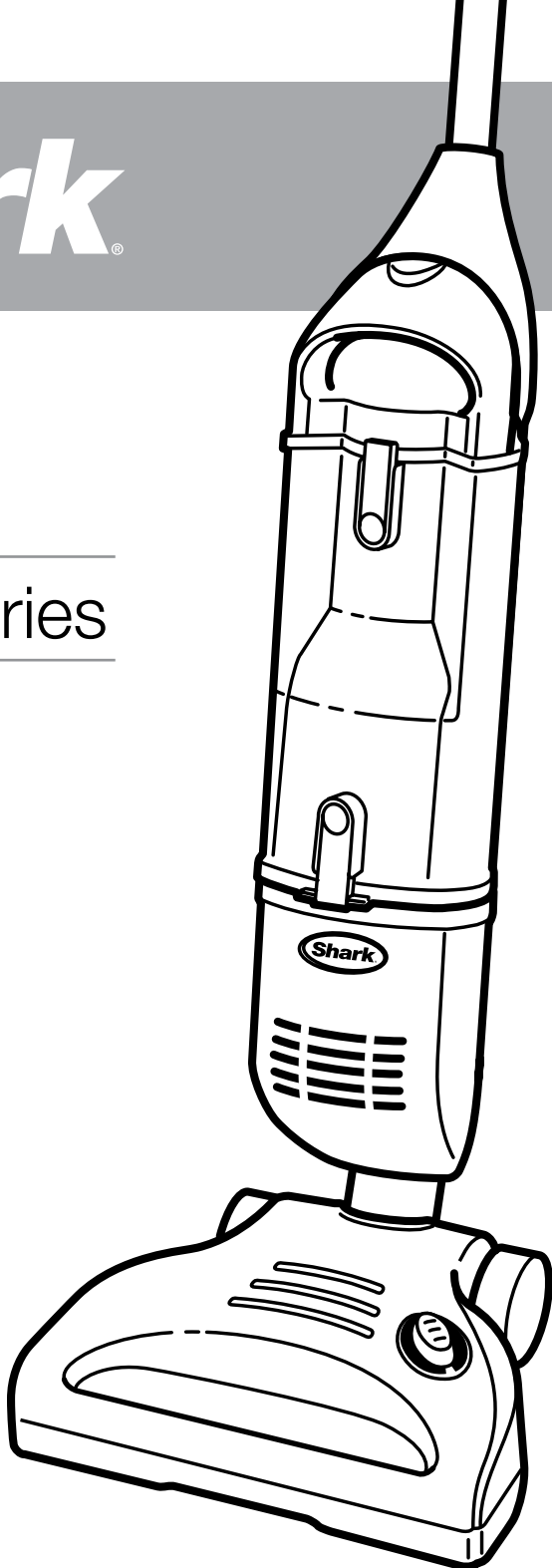


Shark[®]

OWNER'S GUIDE

SV1100 series

www.sharkclean.com



IMPORTANT SAFETY INSTRUCTIONS

For Household Use Only

WHEN USING YOUR SHARK® CORDLESS VACUUM, BASIC SAFETY PRECAUTIONS SHOULD ALWAYS BE FOLLOWED, INCLUDING THE FOLLOWING:

READ ALL INSTRUCTIONS BEFORE USING YOUR SHARK® CORDLESS VACUUM.

GENERAL ELECTRICAL SAFETY:

WARNING: TO REDUCE THE RISK OF ELECTRIC SHOCK OR INJURY DO NOT USE OUTDOORS OR ON WET SURFACES.

- 1 **DO NOT** use or charge the unit outdoors.
- 2 **DO NOT** use or charge the unit on wet surfaces.
- 3 **DO NOT** immerse vacuum cleaner, charging base or charging adapter in water or other liquids.
- 4 **DO NOT** handle vacuum, charging base or charging adapter with wet hands.
- 5 **DO NOT** use charging adapter if power cord has been damaged.
- 6 **DO NOT** abuse the charging adapter cord. **NEVER** carry the charging adapter or charging base by the cord.
- 7 **DO NOT** unplug the charging adapter by pulling on cord; to unplug, grasp the plug, not the cord.
- 8 **DO NOT** use charging adapter with an extension cord. Plug adapter directly and only in a standard (120V., 60Hz) electrical outlet.
- 9 **DO NOT** run the vacuum over the charging adapter cord.
- 10 Keep charging adapter cord away from heated surfaces.
- 11 **DO NOT** attempt to use this charging adapter with any other product nor attempt to charge this product with another charging adapter.
- 12 Only use charging adapter provided with the vacuum. It is marked "For SV1100 models only".
- 13 Always turn the vacuum off before connecting or disconnecting the motorized floor brush.

GENERAL USE:

- 14 Use only on dry, indoor surfaces.
- 15 Store the cordless vacuum indoors. Put the cordless vacuum away after use to prevent accidents.
- 16 Use only as described in this manual. **DO NOT** use for any purpose other than described in this user's guide.
- 17 Use only cleaning attachments supplied with this unit.
- 18 Keep your work area well lit.
- 19 Keep the vacuum moving over the carpet surface at all times to avoid damaging the carpet fibers.
- 20 **DO NOT** put any objects into openings.
- 21 **DO NOT** use with any opening blocked; keep free of dust, lint, hair and anything that may reduce airflow.
- 22 **DO NOT** use the vacuum cleaner without dust cup and filter in place.
- 23 **DO NOT** vacuum up any liquids.
- 24 **DO NOT** pick up anything that is burning or smoking such as cigarettes, matches or hot ashes.
- 25 **DO NOT** use to pick up flammable or combustible liquids such as gasoline or use vacuum in areas where their fumes may be present.
- 26 **DO NOT** pick up toxic solutions such as chlorine bleach, ammonia or drain cleaner.
- 27 **DO NOT** use in an enclosed space where vapors are present from paint, paint thinner, moth-proofing substances, flammable dust or other explosive or toxic materials.
- 28 **DO NOT** run the vacuum over large-sized objects.
- 29 **DO NOT** pick up hard or sharp objects such as glass, nails, screws or coins that could damage the vacuum cleaner.
- 30 **DO NOT** place vacuum on unstable surfaces such as chairs or tables.
- 31 Use extra care when cleaning on stairs.
- 32 **DO NOT** allow the vacuum to be used as a toy.
- 33 Close attention is necessary when used by or near children.

- 34 **DO NOT** use cordless vacuum cleaner, charging base or charging adapter if it has been dropped, damaged, left outdoors or submerged in water. Return to EURO-PRO Operating LLC for examination, repair or adjustment.
- 35 Keep hair, face, loose clothing, fingers and all body parts away from openings and moving parts.
- 36 This product includes rechargeable nickel metal hydride batteries. Batteries must be recycled or disposed of properly. Do not incinerate batteries or expose to high temperatures as they may explode.
- 37 Leaks from battery cells can occur under extreme conditions. If the liquid gets on the skin, wash immediately with soap and water. If the liquid gets into the eyes, flush them immediately with clean water for a minimum of 10 minutes and seek medical attention.
- 38 The battery must be removed from the appliance before the appliance is discarded.
- 39 Batteries are to be recycled or disposed of safely.

DUST CUP/FILTER:

- 40 Before turning on the vacuum:
 - Make sure that the dust cup and filter are securely in place after routine maintenance.
 - Make sure that all components and filters are thoroughly dry after routine cleaning.
 - Only use filters and accessories provided by EURO-PRO Operating LLC. [Failure to do so will void the warranty.]

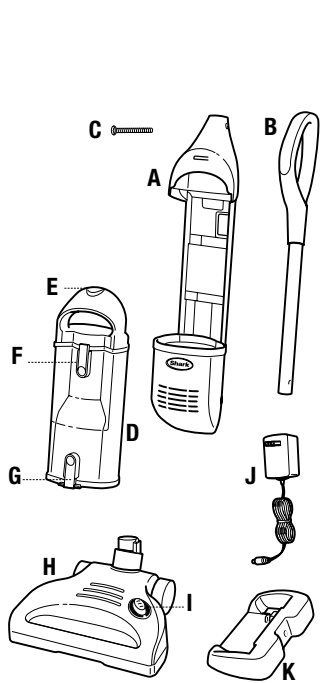
Assembly	4
Using your Cordless Vacuum	5
Maximizing the Life of your Battery	5
Care and Maintenance	6
Troubleshooting Guide	9
Replacement Parts	9
Warranty and Registration	11

Thank you
for purchasing
the Shark®
Cordless Vac



This manual covers model numbers:
SV1100 40
SV1105Z 40

**SAVE THESE
INSTRUCTIONS**



VACUUM COMPONENTS

- A** Main Body
- B** Handle
- C** Screw
- D** Dust Cup
- E** Dust Cup Release
- F** Upper Dust Cup Door Release
- G** Lower Dust Cup Door Release
- H** Motorized Brush
- I** Power Button
- J** Charging Adapter
- K** Charging Base

TECHNICAL SPECIFICATIONS:

Volts: 14.4


ASSEMBLY

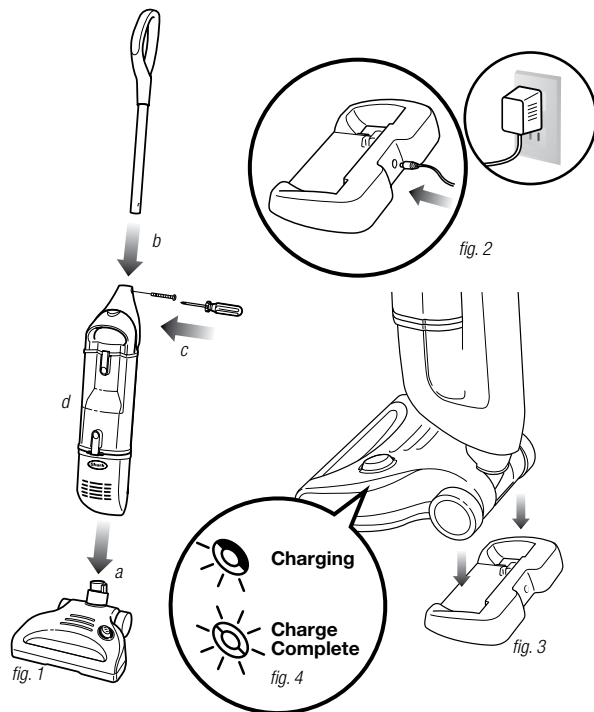
- 1** Insert the vacuum body into the motorized brush. (fig. 1a)
- 2** Insert the handle pole into the top of the main body. (fig. 1b)
- 3** Use a screwdriver to secure the handle assembly in place with the bolt (taped to the handle during shipping). (fig. 1c)
- 4** Ensure that the dust cup is securely in place. (fig. 1d)

CHARGING

- 1** The charge adapter plug will fit into the charging base only one way. Insert the charging adapter plug by aligning the arrow on the plug with the arrow next to the charging jack on the back of the charging base. (fig. 2)
- 2** Place the vacuum on the charging base to charge. Charge the unit for 6 hours before using the vacuum for the first time. (fig. 3)

- 3** This unit is equipped with a precision charger that monitors the batteries to ensure a full charge for every use and to extend the life of the batteries. Depending on usage, the time for a full charge is 3 to 6 hours.
- 4** One half of the blue LED light around the power button will illuminate while the unit is charging. When the charge is complete, the complete oval will be illuminated. (fig. 4)

 **If the charging light does not illuminate, ensure that the charging adapter is plugged in properly to the wall outlet and to the back of the charging base. Also ensure that the unit is properly seated in the charging base.**



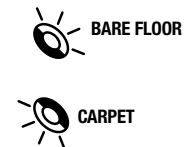
USE YOUR CORDLESS VACUUM TO CLEAN BARE FLOORS, CARPETS AND RUGS.

- 1** Place your foot lightly on the top of the motorized brush and tilt the handle back to release the unit from the locked upright position.
- Lightly press the power button on the motorized floor brush with your foot to turn the vacuum on to a high speed optimized for carpet cleaning.

On this setting, the vacuum will run for approximately 17 minutes.

- Press the button again to switch to a lower speed optimized for bare floor cleaning. On this setting the vacuum will run for approximately 24 minutes. The LED lights around the power button will indicate your speed.
- Press the button again to turn the unit off.

IMPORTANT: The indicator light around the power button will flash if the brush roll stops due to a jam. This feature is designed to protect the Lifetime Belt that powers the brushroll. See "Restarting After a Jam" on page 8.



MAXIMIZING THE LIFE OF YOUR BATTERY

- 1** To enhance battery life, this vacuum is equipped with an advanced feature that will shut off the vacuum when the battery is almost fully discharged. If the vacuum shuts off while in use, charge the unit until the complete oval around the power button is illuminated, indicating a full charge.
- 2** Charge the vacuum for 6 hours before initial use. After initial use, each recharge will take 3 to 6 hours. A complete oval around the power button will illuminate when the charge is complete.
- 3** The precision charger monitors the batteries so you don't have to. A complete charge can take as little as 3 hours, but may take up to 6 hours because the charger monitors battery properties to extend battery life. Leaving the unit in the charger past the complete charge time will NOT harm the batteries.
- 4** If the vacuum has never been used or has not been used for an extended period of time, it will take 3 to 5 complete charge and run down cycles to realize the full operational time of the vacuum.
- 5** Do not store or charge in areas of high temperature or humidity.
- 6** Use only the charge adapter supplied with this unit, marked with "For SV1100 Models Only". If other chargers are used, the battery can fail causing damage to the battery, to the vacuum, or to personal property.

BATTERY RECONDITIONING

If you experience shorter run time over the life of the vacuum, perform the following battery reconditioning steps. These steps can also be performed as monthly maintenance for maximum battery life.

- 1** Charge the vacuum for a minimum of 6 hours.
- 2** Run the vacuum until it turns itself off.
- 3** Charge the vacuum for a minimum of 6 hours.

BATTERY REMOVAL, REPLACEMENT AND DISPOSAL

The cordless vacuum is powered by Ni-Mh batteries, **which must be recycled or disposed of properly in accordance with state, federal and local laws.** If uncertain as to how to remove the battery pack, we suggest that you take your vacuum to a reputable small appliance service technician to have this service performed.

BATTERY REMOVAL

- 1** Ensure that the unit is Off.
- 2** Never open the battery compartment except to replace or dispose of the battery pack.
- 3** The battery door is on the bottom of the floor nozzle. Turn the unit over and push the sliding tab located next to the battery door to the unlock position. Slide and lift the battery door off of the nozzle.
- 4** Remove the battery pack by pulling on the battery strap.
- 5** Grasp the white connector terminals and push down on the lever with your thumb. Pull to disconnect.

BATTERY REPLACEMENT

- 1** Push the connector terminals together until they click into place.
- 2** Replace the new battery pack into the battery compartment, taking care to tuck the wiring completely in so that the wiring does not interfere with the battery access door.
- 3** Place the battery door onto the bottom of the nozzle, slide it back into place and move the sliding tab next to the door to the lock position.

CAUTION:

- Use only with battery pack supplied.
- Never use ordinary batteries for replacement as these may leak and damage your vacuum
- Do not attempt to remove the battery pack from the unit to charge.
- Never throw the battery pack or the appliance into a fire or incinerate it.
- Do not remove or damage the battery casing.
- Do not place the batteries on metal surfaces.
- Do not touch metal parts of the batteries together as the batteries will overheat.

Call customer service at 1 (800) 798-7398 or visit our web site at www.sharkclean.com to order a replacement battery pack.



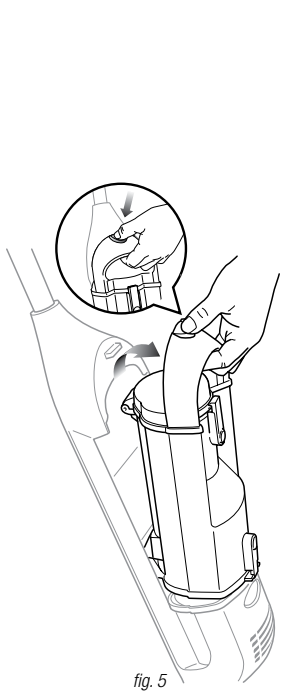


fig. 5

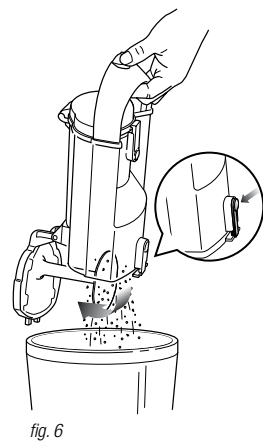


fig. 6

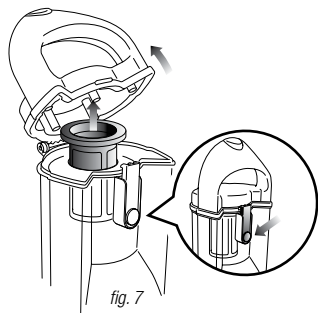


fig. 7

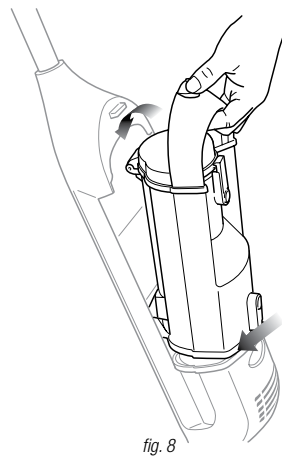


fig. 8

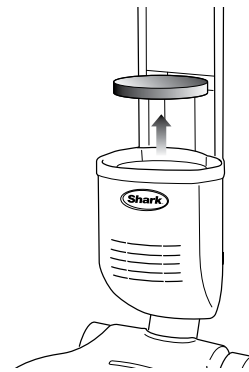


fig. 9

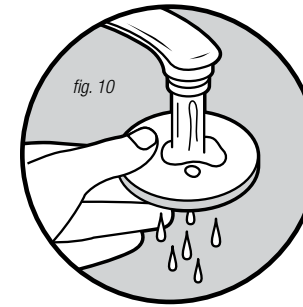


fig. 10

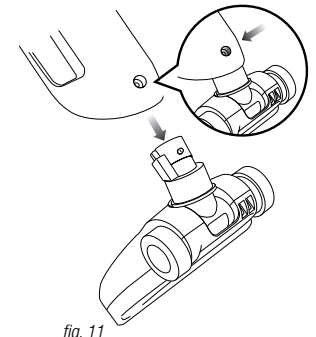


fig. 11

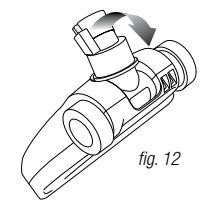


fig. 12

CAUTION: Remove the unit from the charging stand before any servicing.

EMPTYING THE DUST CUP

To maintain the best performance of your vacuum, empty the dust cup after every use or as debris approaches the "MAX FILL" line. Never operate the vacuum without the dust cup and filter in place.

- 1 Turn off the vacuum before removing the dust cup.
- 2 Press down on the dust cup release button (fig. 5) and pull out the dust cup.

- 3 Holding the carry handle, place the dust cup inside a trash receptacle and press the lower dust cup door release button. Gently tap the dust cup to dislodge and release dust and debris. (fig. 6)
- Important:** If the Dust Cup Door does not swing open after pressing the release button, push the door open using the bottom door tabs.
- 4 Snap the door back in place.

- 5 If you notice hair or other debris wrapped around the metal screen in the upper chamber of the dust cup, press the upper dust cup door release to open the top of the dust cup. Lift out the metal screen, clear any debris and replace. Snap the door back into place. (fig. 7)
- 6 Replace the dust cup by first seating the lower part of the dust cup, then pushing in the top part until it clicks. (fig. 8)

CLEANING THE FILTER

Your vacuum has a high efficiency dust cup to maintain strong suction by preventing debris from collecting on the filter. To maintain strong suction, it is important to clean the foam filter every month, under normal use.

- 1 Turn off the vacuum and remove the dust cup.
- 2 Remove the foam filter (fig. 9) and rinse under water until the water runs clear. (fig. 10) Squeeze the excess water out of the filter and let it air dry for 24 hours before replacing.

- **DO NOT** use a hair dryer or other forced hot air to dry the filter.
- **DO NOT** operate the vacuum without the filter in place.
- **DO NOT** operate the vacuum with a wet filter.

NOTE: It is normal for your foam filter to discolor over time; it will not affect the filter performance.

CLEANING THE MOTORIZED BRUSH AND CLEARING BLOCKAGES

An accumulation of hair, string, and other debris may sometimes become lodged in the flexible air hose of the motorized brush, in the air inlet of the dustcup or wrapped around the brush roll. These areas must be free from debris for maximum cleaning performance. To clear blockages and clean the brush roll:

- 1 Ensure the vacuum is off.
- 2 Press the release button located on the rear of the main body and remove the motorized brush. (fig. 11)
- 3 To clear the air hose, flip back the connector to straighten the air passage (fig. 12) and carefully remove any debris lodged in the air hose. **DO NOT USE SCISSORS OR OTHER SHARP OBJECTS AS THESE MAY DAMAGE THE HOSE.**

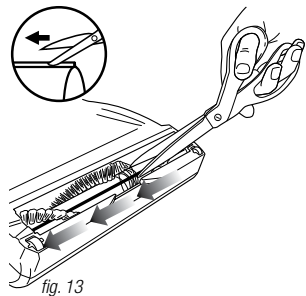


fig. 13

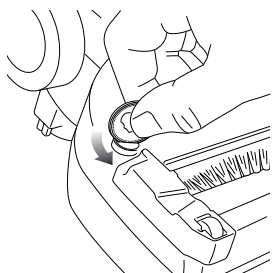


fig. 14

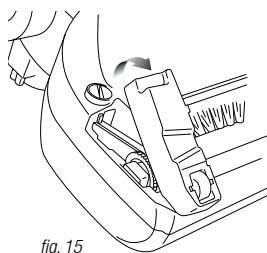


fig. 15

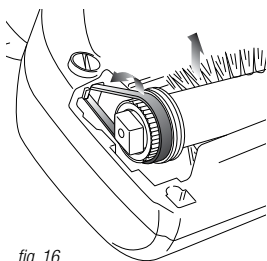


fig. 16

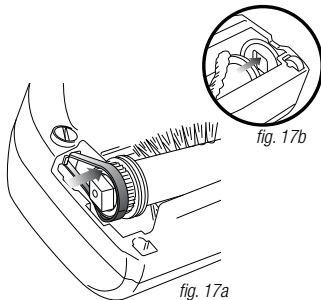


fig. 17b

fig. 17a

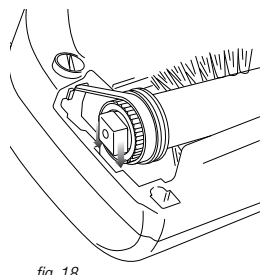


fig. 18

- 4 Inspect the rotating brush for a build-up of debris. Remove anything wound around the brush by carefully cutting it with scissors. The brush roll is equipped with a raised cutting guide to make inserting scissors easier. Avoid damaging or cutting the bristles. (fig. 13)
- 5 Use a flashlight to inspect inside the air duct at the bottom of the main body and remove any debris or blockages that may be there. Reattach the motorized brush, ensuring it clicks into place.
- 6 Remove the dust cup and use the flashlight to check the air path on the spine of the vacuum and remove any debris or blockages. Then replace the dust cup.

BRUSH BAR REMOVAL

- 1 For easier cleaning, the brush roll can be removed from the nozzle. Using a coin, turn the dial next to the brush roll access door to the unlock position. (fig. 14) Remove the brush roll access door. (fig. 15)
- 2 Slip the black belt off of the white gear and lift out the brush roll. (fig. 16)

BRUSH BAR INSERTION

- 1 To reinsert the brush roll, first slip the black belt onto the white gear (fig. 17a), then align the white square on the opposite side of the brush roll into the square slot. (fig. 17b)
- 2 Align the white square on the belt side and position into its slot. (fig. 18)
- 3 Replace the door, inserting the wheel side first. Use a coin to move the dial to the lock position.

RESTARTING AFTER A JAM

If the indicator light around the power button flashes, the brush bar has jammed and will cease to operate.

- 1 Turn the unit off and allow it to cool down for 10 seconds.
- 2 Ensure that nothing is blocking the motorized brush or wrapped around the brush bar.
- 3 Turn the power on and the unit should operate normally.

PROBLEM

SUGGESTED SOLUTION

Vacuum will not operate

- 1 The battery may be depleted. Charge the vacuum until the complete oval around the power button is illuminated, indicating a complete charge.
- 2 See "Restarting after a jam" on page 8.

Charging indicator does not illuminate

- 1 Check to see if the charge adapter is plugged in properly to the outlet and to the charge stand.
- 2 Ensure that the vacuum is properly seated in the charging base.
- 3 Ensure there is no debris accumulated on the metal charge contacts on the back of the nozzle and on the charge base.
- 4 Ensure that the electrical outlet is supplying power to the charger. Check the fuse/breaker.

Motorized brush will not work

- 1 See "Cleaning the Motorized Brush and Clearing Blockages" on page 7 and "Restarting after a jam" on page 8.
- 2 Ensure that the motorized brush is properly attached.

Vacuum will not pick up or suction power is weak

- 1 Empty the dust cup container.
- 2 Remove the dust cup filter, check for blockages and remove. Clean or replace the dust cup filter (See "Replacement Parts" below). Note: It is important to clean the dust cup filter every month.
- 3 The battery may need to be charged, charge until the complete oval around the power button is illuminated.
- 4 Ensure that the motorized brush is properly attached.

Dust escapes from vacuum

- 1 Empty the dust cup container.
- 2 Ensure that the filter is inserted completely into its holder below the dust cup.
- 3 Check for punctures in dust cup filter or cracks in the dust cup and replace.

Vacuum turns off on its own

- 1 Charge the unit until the complete oval around the power button is illuminated.

Run time has decreased over time

- 1 Perform the following steps:
 - a Charge the vacuum for a minimum of 6 hours.
 - b Run the vacuum until it turns itself off.
 - c Charge the vacuum for a minimum of 6 hours.

REPLACEMENT PARTS

- A XA1100 Charging Adapter
- B XB1100 Battery pack
- C XF1100 Filters (2)

For any other servicing, call Customer Support at 1-800-798-7398 or visit www.sharkclean.com

Notes

Horizontal lines for notes.

EURO-PRO ONE-YEAR (1) LIMITED WARRANTY

EURO-PRO Operating LLC warrants this product to be free from defects in material and workmanship for a period of one (1) year from the date of the original purchase, when utilized for normal household use, subject to the following conditions, exclusions and exceptions.

If your appliance fails to operate properly while in use under normal household conditions within the warranty period, return the complete appliance and accessories, freight prepaid to:

- U.S.: EURO-PRO Operating LLC
For customer service support call 1-800-798-7398 or visit www.sharkclean.com
• Canada: EURO-PRO Operating LLC
4400 Bois Franc, St. Laurent, Québec H4S 1A7

If the appliance is found to be defective in material or workmanship, EURO-PRO Operating LLC will repair or replace it free of charge. Proof of purchase date and \$13.95 to cover the cost of return shipping and handling must be included.*

Non-durable parts including, without limitation, filters, brushes and electrical parts which normally require replacement are specifically excluded from warranty.

The liability of EURO-PRO Operating LLC is limited solely to the cost of the repair or replacement of the unit at our option. This warranty does not cover normal wear of parts and does not apply to any unit that has been tampered with or used for commercial purposes. This limited warranty does not cover damage caused by misuse, abuse, negligent handling or damage due to faulty packaging or mishandling in transit. This warranty does not cover damage or defects caused by or resulting from damages from shipping or repairs, service or alterations to the product or any of its parts, which have been performed by a repair person not authorized by EURO-PRO Operating LLC.

This warranty is extended to the original purchaser of the unit and excludes all other legal and/or conventional warranties. The responsibility of EURO-PRO Operating LLC if any, is limited to the specific obligations expressly assumed by it under the terms of the limited warranty. In no event is EURO-PRO Operating LLC liable for incidental or consequential damages of any nature whatsoever. Some states do not permit the exclusion or limitation of incidental or consequential damages, so the above may not apply to you.

This warranty gives you specific legal rights, and you may also have other rights which vary from state to state or province to province.

* IMPORTANT: Carefully pack item to avoid damage in shipping. Be sure to include proof of purchase date and to attach tag to item before packing with your name, complete address and phone number with a note giving purchase information, model number and what you believe is the problem with item. We recommend you insure the package (as damage in shipping is not covered by your warranty). Mark the outside of your package "ATTENTION CUSTOMER SERVICE". We are constantly striving to improve our products, therefore the specifications contained herein are subject to change without notice.

PRODUCT REGISTRATION

Please visit www.sharkclean.com or call 1-800-798-7398 to register your new Shark® product within ten (10) days of purchase. You will be asked to provide the store name, date of purchase and model number along with your name and address.

The registration will enable us to contact you in the unlikely event of a product safety notification. By registering you acknowledge to have read and understood the instructions for use, and warnings set forth in the accompanying instructions.

Shark[®]

Copyright © 2011 Euro-Pro Operating LLC

USA: Newton, MA 02459

CANADA: Ville St-Laurent, QC H4S 1A7

Printed in China

Illustrations may differ from actual product.

SV1100series.40_110920.2

www.sharkclean.com

1-800-798-7398