

# INSTALLATION INSTRUCTIONS FOR P1147-L

## For Wall Sconce Fixture

### READ AND SAVE THESE INSTRUCTIONS

**WARNING! SHUT POWER OFF AT FUSE OR CIRCUIT BREAKER**  
**AVERTISSEMENT! COUPER LE COURANT AU NIVEAU DES FUSIBLES OU DO DISJONCTEUR**

#### ASSEMBLING THE FIXTURE (Fig.1)

1. Shut off power at the fuse box or circuit breaker. If necessary, remove the old fixture including the mounting hardware.
2. Carefully remove the fixture from the carton and check that all parts are included as show in Figure 1.
3. Attach mounting plate (A) to the junction box with junction box screws (C) (size:8-32\*1/2"L) provided. The side of the mounting plate marked "GND" must face out.

#### CONNECTION THE WIRES (Fig.2)

4. Connect the electrical wires as shown in Fig.2, making sure that all wire nuts are secured. If your outlet has a ground wire (green or bare copper), connect the fixture's ground Wire to it. Otherwise, connect the fixture's ground wire directly to the mounting plate using the green screw (C) provided. Tuck the wire connections neatly into the junction box.

#### FINISHING THE INSTALLATION (Fig.1)

5. Align fixture (F) onto mounting plate (A) and secure with screws (D) and rubber washers (E1).
6. To prevent moisture from entering the outlet box and causing a short circuit, use clear caulking (i.e. Indoor/Outdoor silicone sealant) to outline the outside of fixture (F) where it meets the wall leaving a space at bottom to allow moisture a means to escape (Fig.3).
7. Align frame (H) over fixture (F) and secure with screws (G) and rubber washers (E2).

Your installation is now complete. Return power to the junction box and test the fixture.

**CAUTION /ATTENTION:** When handling the fixture, do not apply pressure to the LEDs. Hold the fixture by the base or back plate (F) only.

#### Replacing LED module (Fig.4)

The LED module can be replaced by a qualified electrician without cutting of wire and without damage to any decorative element to which the fixture is attached. See installation steps for more details (Fig.4)

**Warning: Turn off power at the circuit breaker before replacing LED module.**

- a. Loosen screws (G) with rubber washers (E2), remove frame (H), then loosen hexagonal stud (I) with rubber washers (J).
- b. To remove the fixture from the wall: loosen screws(D) with rubber washers (E1). Disconnect the wire connectors and place the fixture (F) on a clear flat surface. (Fig.1)
- c. Loosen screws (L1) and remove protective case (M) from backplate (K). Remove the waterproof silicon on the protective case (M), loosen screws (L2) and remove cap (N), diffuser (O).
- d. Loosen screws (P), rubber washers (Q), screws (S) and wire fastener (T). Carefully remove LED module (R).
- e. Reverse steps a-d for installing the new LED module.

Note: The LED module should be provided by a specified supplier.

**IMPORTANT:** Fixture should be installed by a qualified electrician to ensure proper wiring and installation.

**Dimmable with ELV and/or LED compatible wall dimmer switches.**

Fig.1

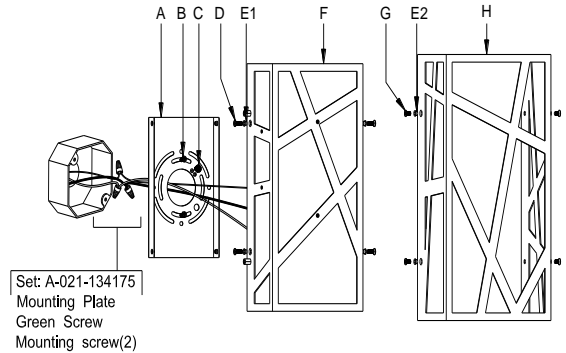


Fig.2

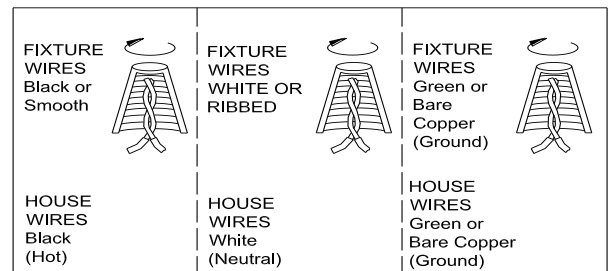


Fig.3

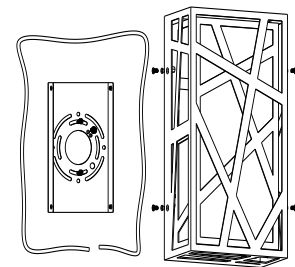


Fig.4

