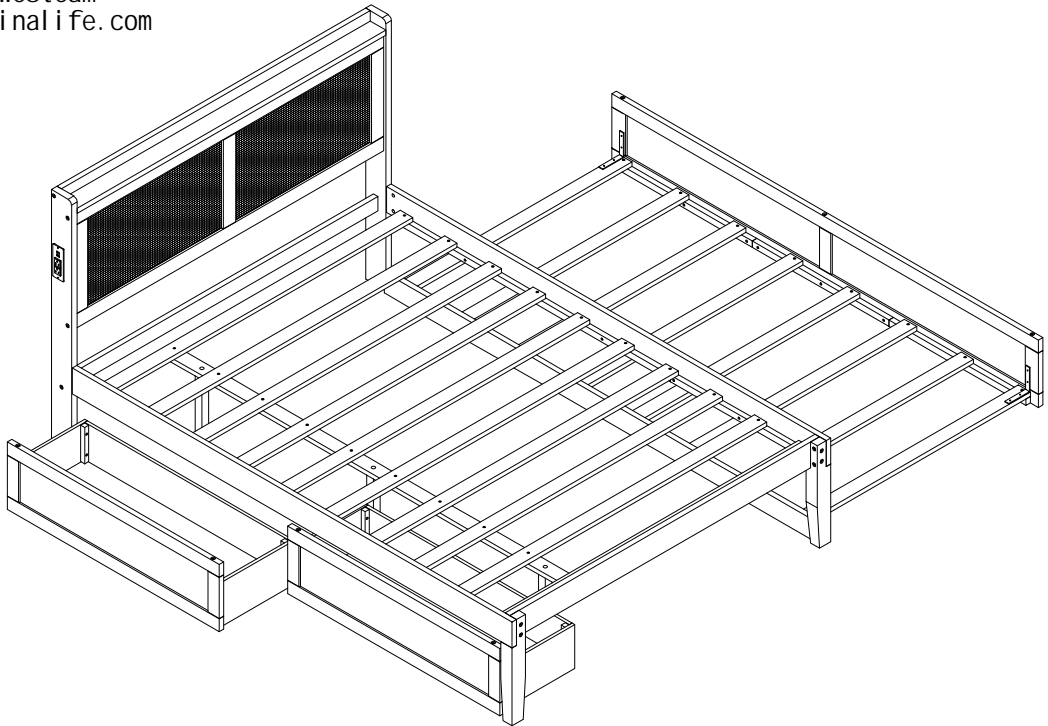


# ASSEMBLY INSTRUCTIONS

## Queen size-Wood Rattan platform bed with Light & USB

If you have  
any questions,  
please feel  
free to  
contact us.  
Email:  
lowesteam@  
aminalife.com

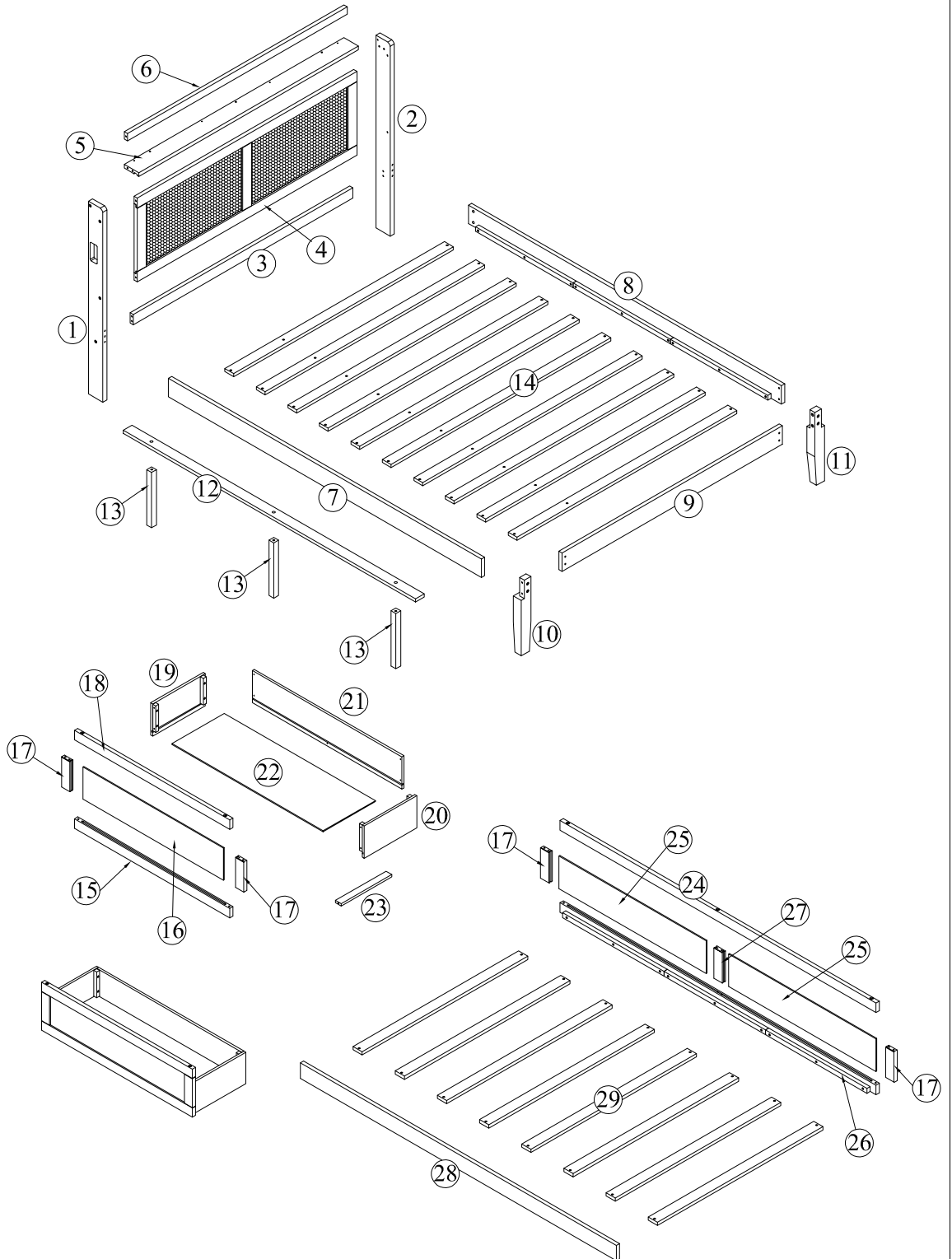


This set is included 2 boxes if don't receive full 2 boxes please contact our customer service team.

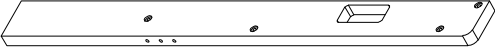
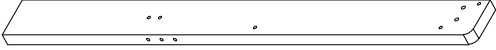
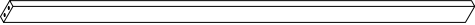
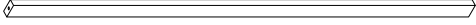
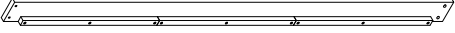
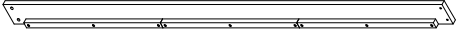

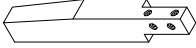
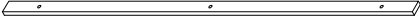
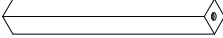




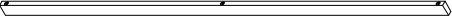


WF317903/904

# Detail View

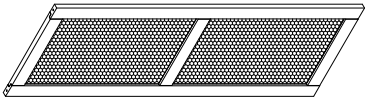
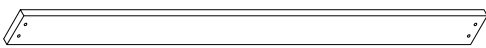

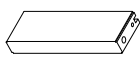
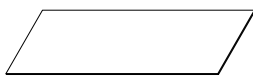
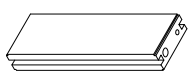

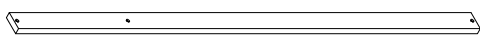

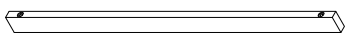
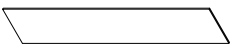
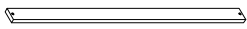
WARNING:  
Keep small components out of the reach of children







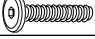

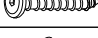




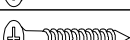
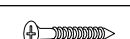

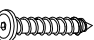

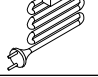
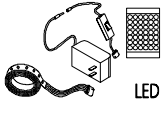

# Part List : WF317903

<p>1</p>  <p>Left Hind Leg - 1pc</p>	<p>2</p>  <p>Right Hind Leg - 1pc</p>
<p>3</p>  <p>Lower Horizontal Bar - 1pc</p>	<p>6</p>  <p>Quiz After Above - 1pc</p>
<p>7</p>  <p>Shoulder Bed Left Side - 1pc</p>	<p>8</p>  <p>Right Shoulder Bed - 1pc</p>
<p>10</p>  <p>Left Foot of Bed - 1pc</p>	<p>11</p>  <p>Bed Foot Right - 1pc</p>
<p>12</p>  <p>Bed Support Bar - 1pc</p>	<p>13</p>  <p>Father's Foot - 3pcs</p>
<p>19</p>  <p>Left Pullout Side Panel - 2pcs</p>	<p>20</p>  <p>Right Drawer Side Panel - 2pcs</p>
<p>21</p>  <p>Pull-out Rear Panel - 2pc</p>	<p>23</p>  <p>Drawer Bottom Puzzle - 2pcs</p>
<p>24</p>  <p>Upper Horizontal Bar - 1pc</p>	<p>26</p>  <p>Lower Horizontal Bar - 1pc</p>
<p>28</p>  <p>Horizontal Bar Behind the Drawer - 1pc</p>	

# Part List : WF317904

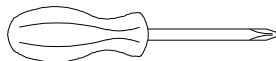
<div style="border: 1px solid black; padding: 5px; margin-bottom: 5px;"> <span style="border: 1px solid black; padding: 2px 5px; font-weight: bold;">4</span>  <p style="text-align: center;">Cloud Frame - 1pc</p> </div> <div style="border: 1px solid black; padding: 5px; margin-bottom: 5px;"> <span style="border: 1px solid black; padding: 2px 5px; font-weight: bold;">9</span>  <p style="text-align: center;">Bed End Bar - 1pc</p> </div> <div style="border: 1px solid black; padding: 5px; margin-bottom: 5px;"> <span style="border: 1px solid black; padding: 2px 5px; font-weight: bold;">15</span>  <p style="text-align: center;">Horizontal Puzzle Under Drawer - 2pcs</p> </div> <div style="border: 1px solid black; padding: 5px; margin-bottom: 5px;"> <span style="border: 1px solid black; padding: 2px 5px; font-weight: bold;">17</span>  <p style="text-align: center;">Quiz Standing - 6pcs</p> </div> <div style="border: 1px solid black; padding: 5px; margin-bottom: 5px;"> <span style="border: 1px solid black; padding: 2px 5px; font-weight: bold;">22</span>  <p style="text-align: center;">Drawer Bottom Board - 2pcs</p> </div> <div style="border: 1px solid black; padding: 5px;"> <span style="border: 1px solid black; padding: 2px 5px; font-weight: bold;">27</span>  <p style="text-align: center;">Standing in the Middle Puzzle - 1pc</p> </div>	<div style="border: 1px solid black; padding: 5px; margin-bottom: 5px;"> <span style="border: 1px solid black; padding: 2px 5px; font-weight: bold;">5</span>  <p style="text-align: center;">Upper Shelf Board - 1pc</p> </div> <div style="border: 1px solid black; padding: 5px; margin-bottom: 5px;"> <span style="border: 1px solid black; padding: 2px 5px; font-weight: bold;">14</span>  <p style="text-align: center;">Slat - 10pcs</p> </div> <div style="border: 1px solid black; padding: 5px; margin-bottom: 5px;"> <span style="border: 1px solid black; padding: 2px 5px; font-weight: bold;">16</span>  <p style="text-align: center;">Drawer Drawer Surface Board - 2pcs</p> </div> <div style="border: 1px solid black; padding: 5px; margin-bottom: 5px;"> <span style="border: 1px solid black; padding: 2px 5px; font-weight: bold;">18</span>  <p style="text-align: center;">Horizontal Puzzle On Drawer - 2pcs</p> </div> <div style="border: 1px solid black; padding: 5px; margin-bottom: 5px;"> <span style="border: 1px solid black; padding: 2px 5px; font-weight: bold;">25</span>  <p style="text-align: center;">Face Planks - 2pcs</p> </div> <div style="border: 1px solid black; padding: 5px;"> <span style="border: 1px solid black; padding: 2px 5px; font-weight: bold;">29</span>  <p style="text-align: center;">Slat - 8pcs</p> </div>
---	--

## Hardware List +WF317903

A		Wooden dowel 8 x 30 mm	27
B		Hex-head bolt - Ø1/4" x 125 mm	4
C		Hex-head bolt - Ø1/4" x 60 mm	8
D		Hex-head bolt - Ø1/4" x 50 mm	4
E		Hex-head bolt - Ø1/4" x 40 mm	4
F		Horizontal-hole bolt - 1/4 x 15 mm	12
G		Hex-Head screw - Ø6 x 50 mm	3
H		Wheels	4
I		Sliding Wheel	8
J		L big bracket - 3x18x95x95	2
K		L small bracket - 2x25x25x30	2
L		Screw # 4 x 30mm	50
M		Screw # 4 x 25mm	18
N		Screw # 3.5 x 15mm	26
O		Screw # 3.5 x 10mm	32
P		Hex-Head screw - Ø6 x 70 mm	14
Q		USB Power Outlet	1
R		LED String Lights	1
S		K 4 mm	1

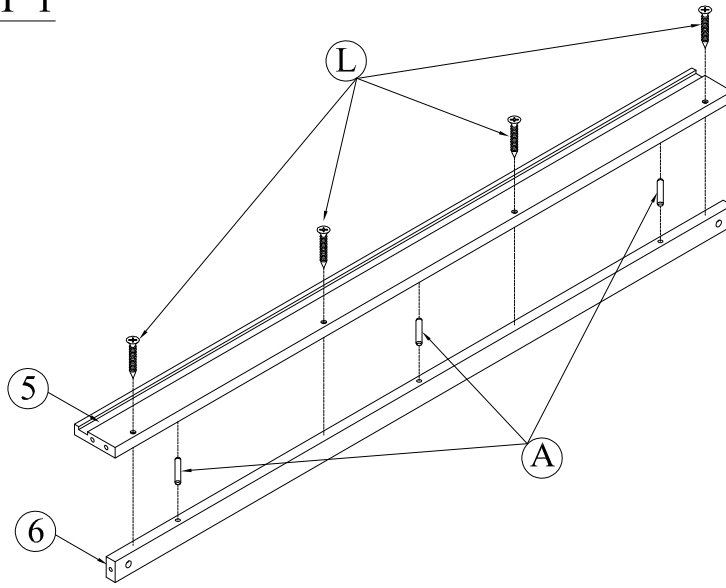
Please sort out all parts before you begin to assembly the item. This is to make sure you always use the correct part.

### ASSEMBLY TOOLS REQUIRED ( NOT INCLUDED )



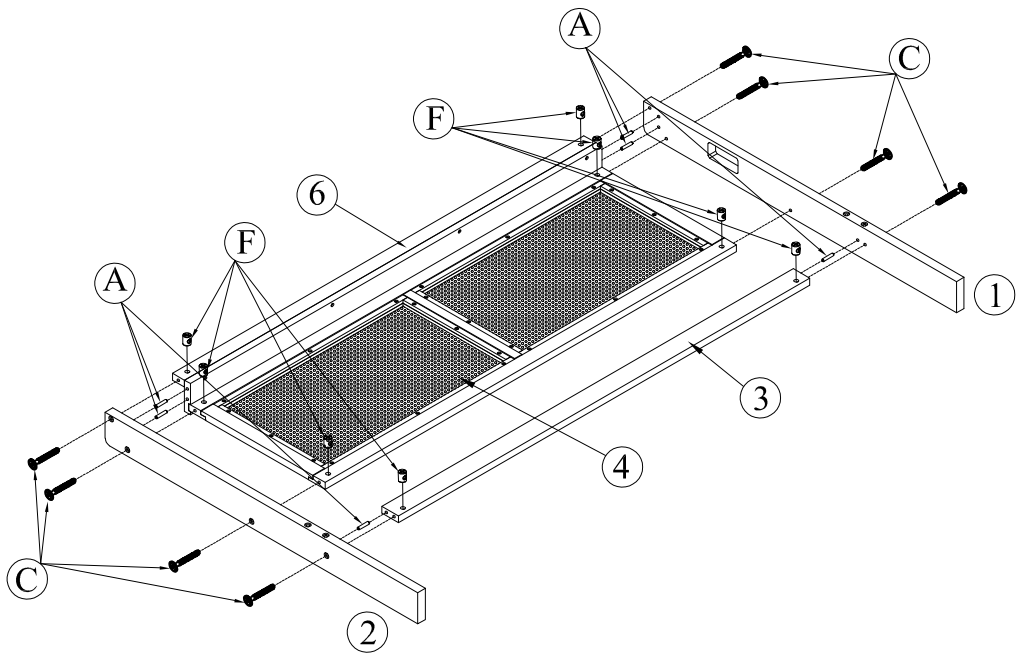
PLEASE BE CAREFUL DO NOT DAMAGE THE HOLE  
POSITION WHEN YOU USE POWER TOOLS !

# STEP 1



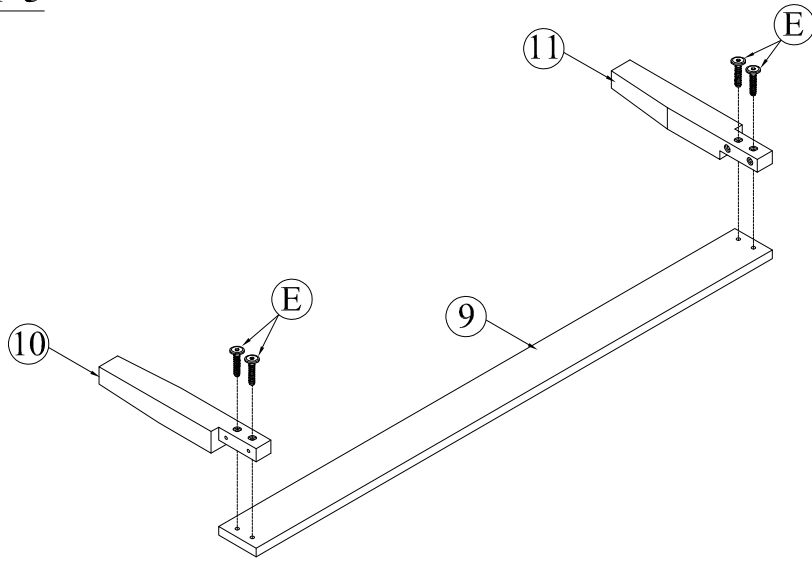
A	L
3PCS	4PCS


# STEP 2



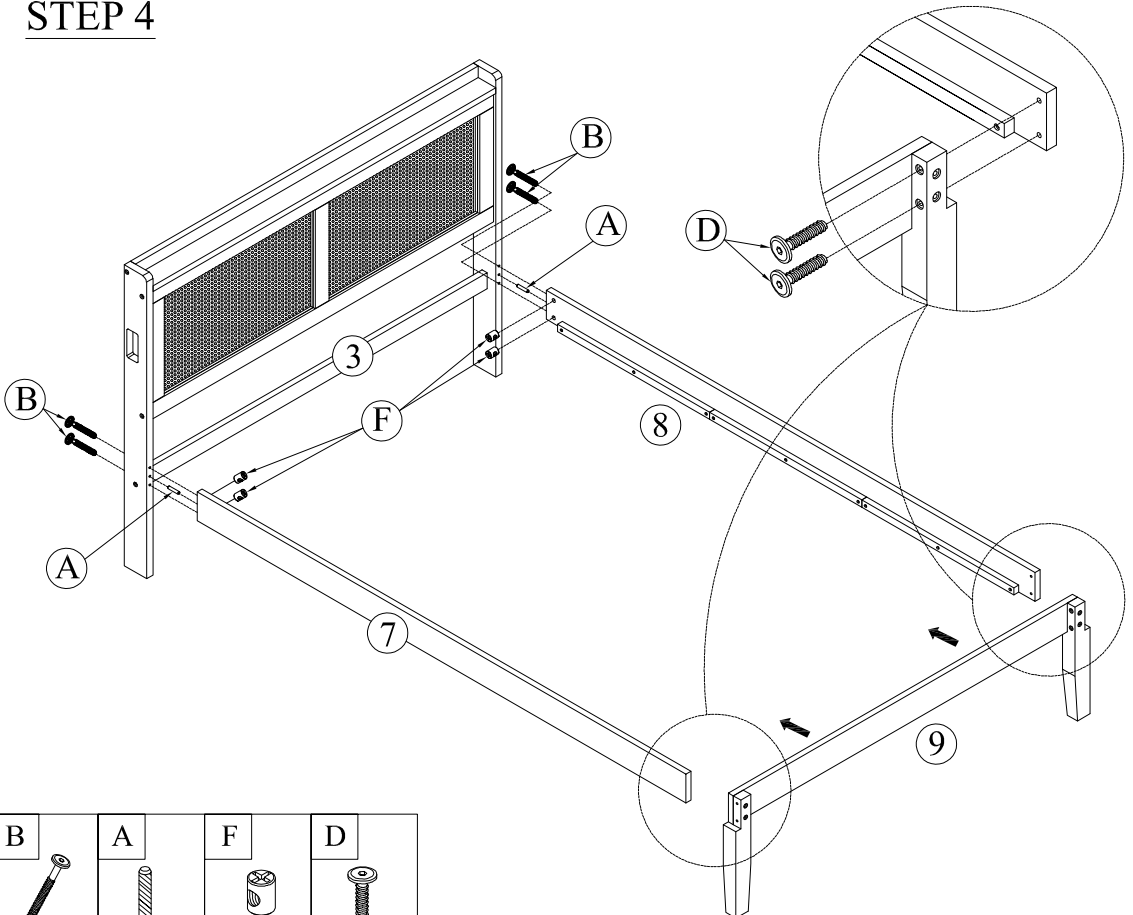
C	A	F
8PCS	6PCS	8PCS





### STEP 3



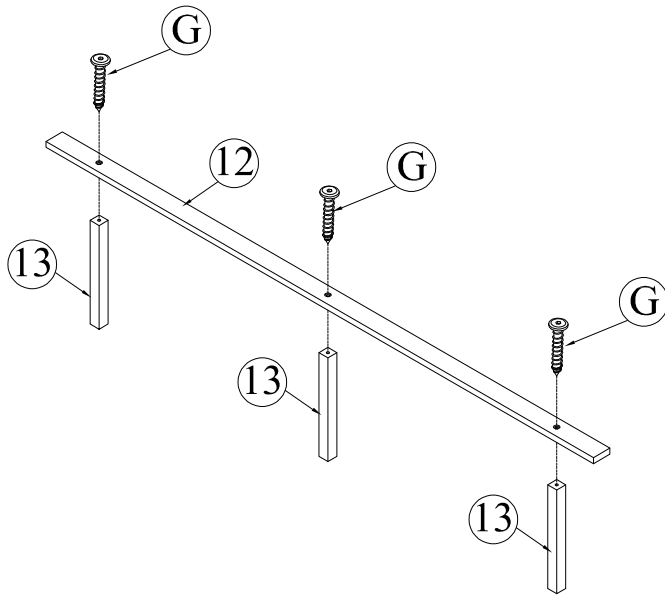
E

4PCS


### STEP 4



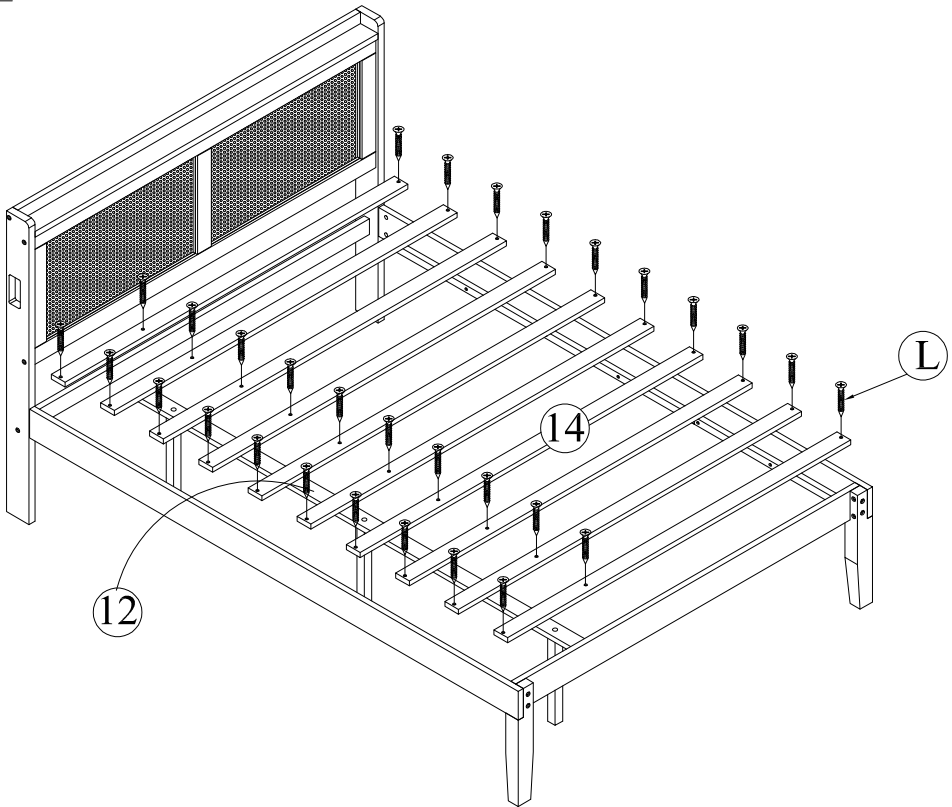
B	A	F	D
			
4PCS	2PCS	4PCS	4PCS


# STEP 5



G

3PCS

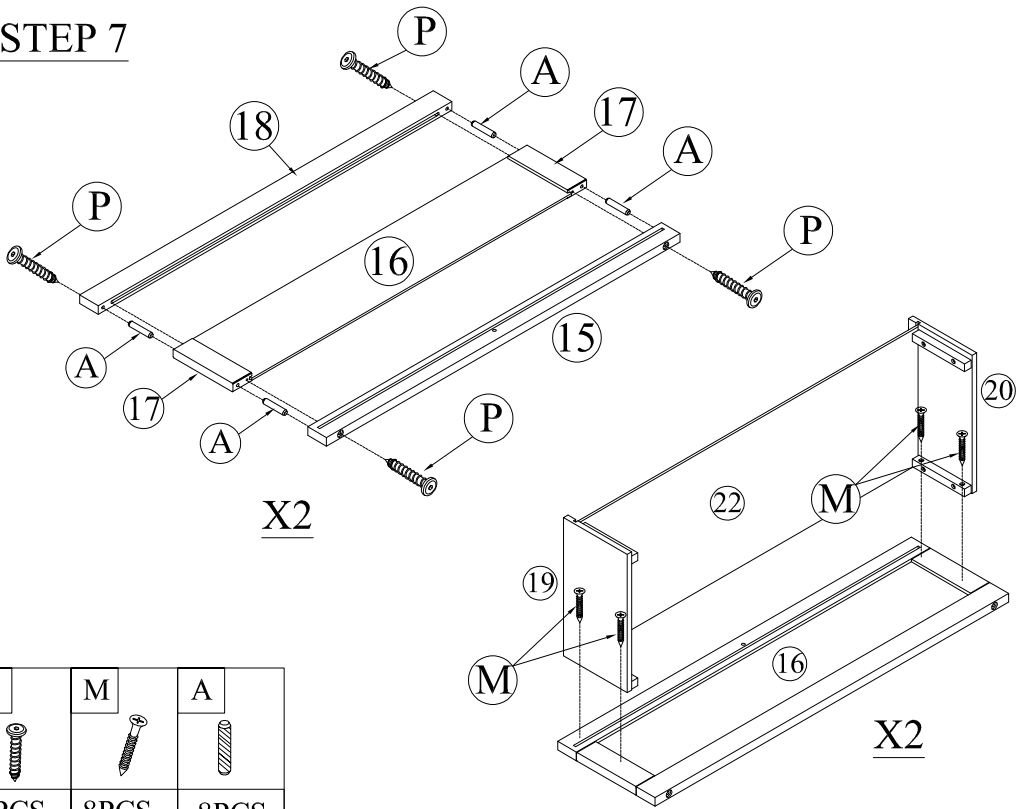
# STEP 6






L

30PCS

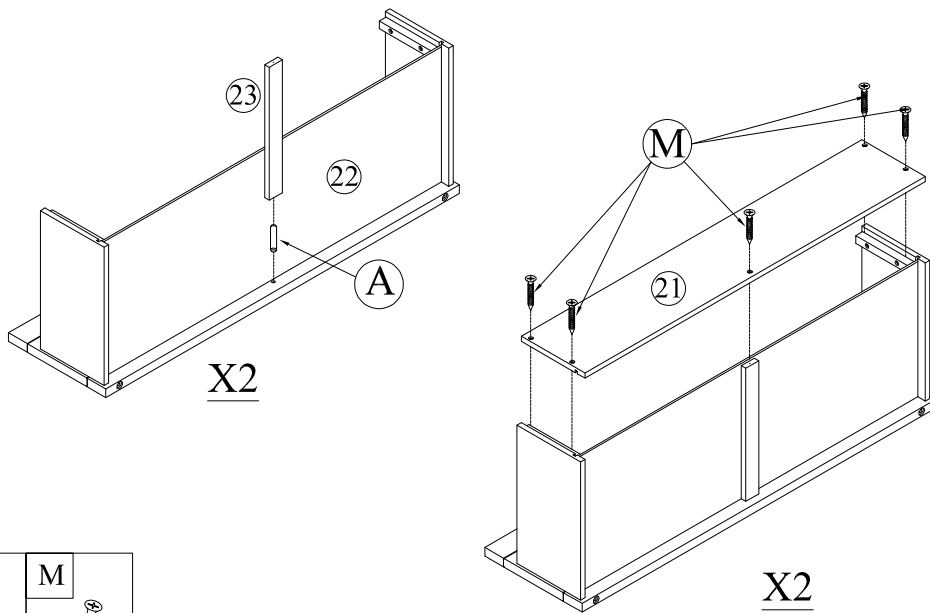




# STEP 7



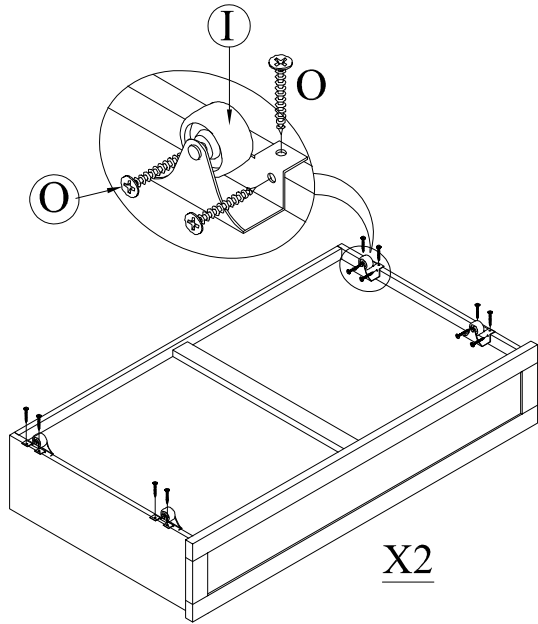
P	M	A
		
8PCS	8PCS	8PCS



# STEP 8



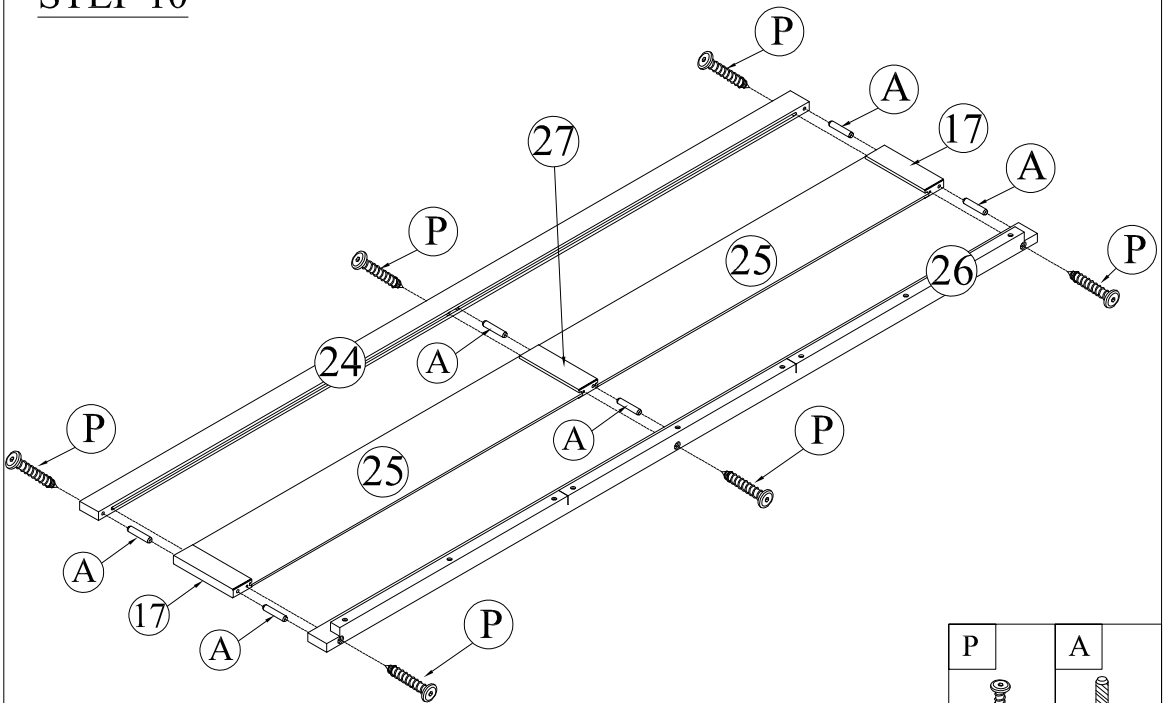
A	M
	
2PCS	10PCS



# STEP 9



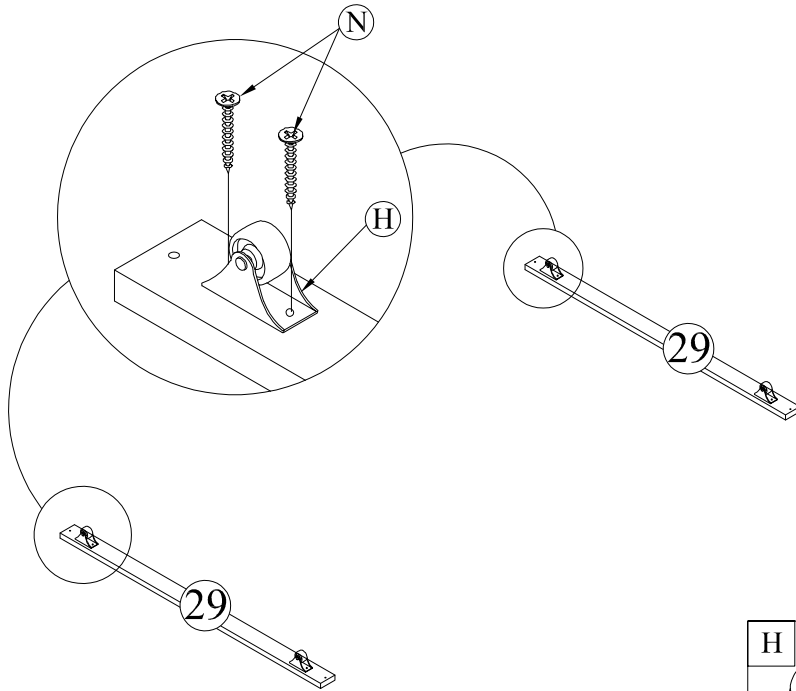
O	I
	
32PCS	8PCS

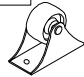

# STEP 10



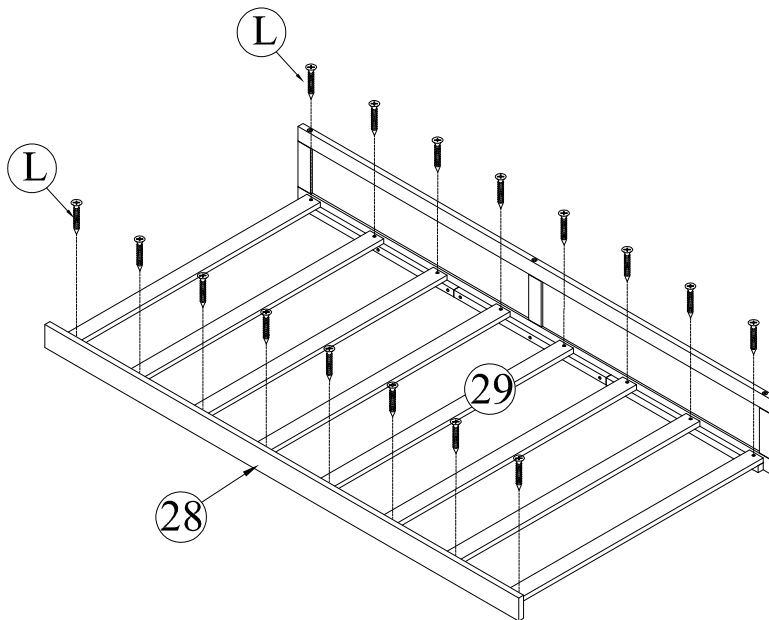
P	A
	
6PCS	6PCS


# STEP 11



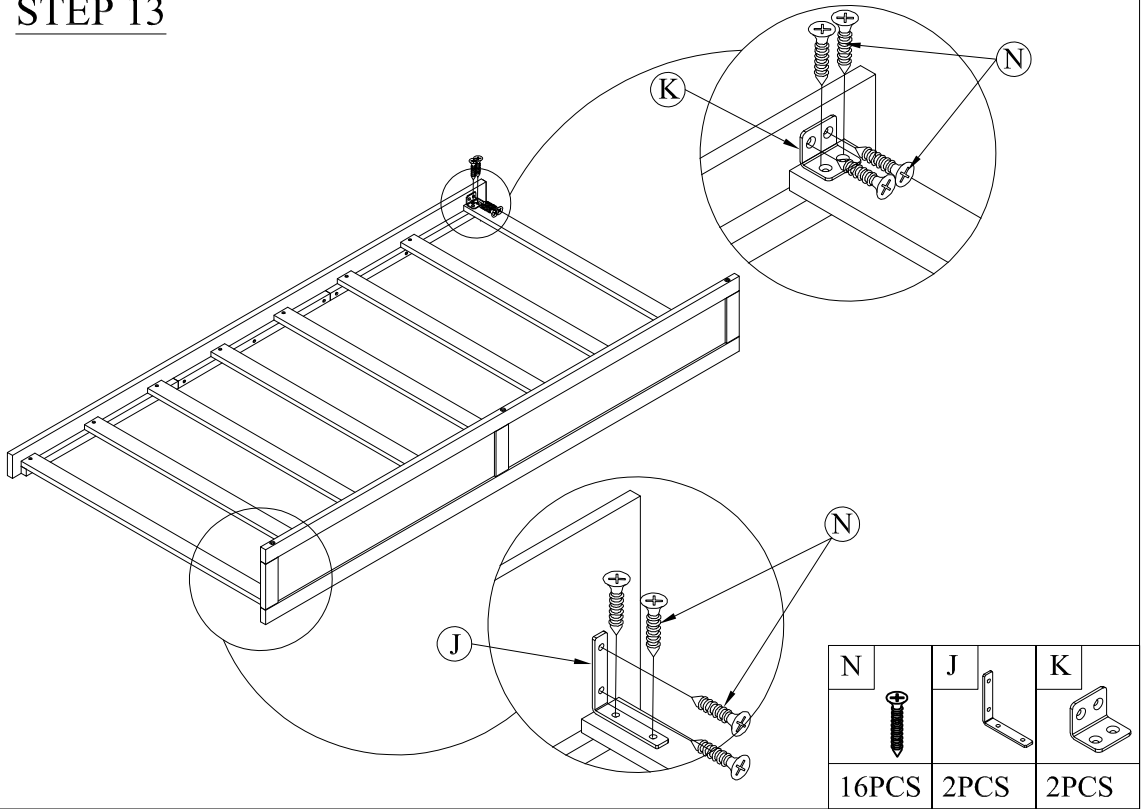
H	N
	
4PCS	8PCS

# STEP 12

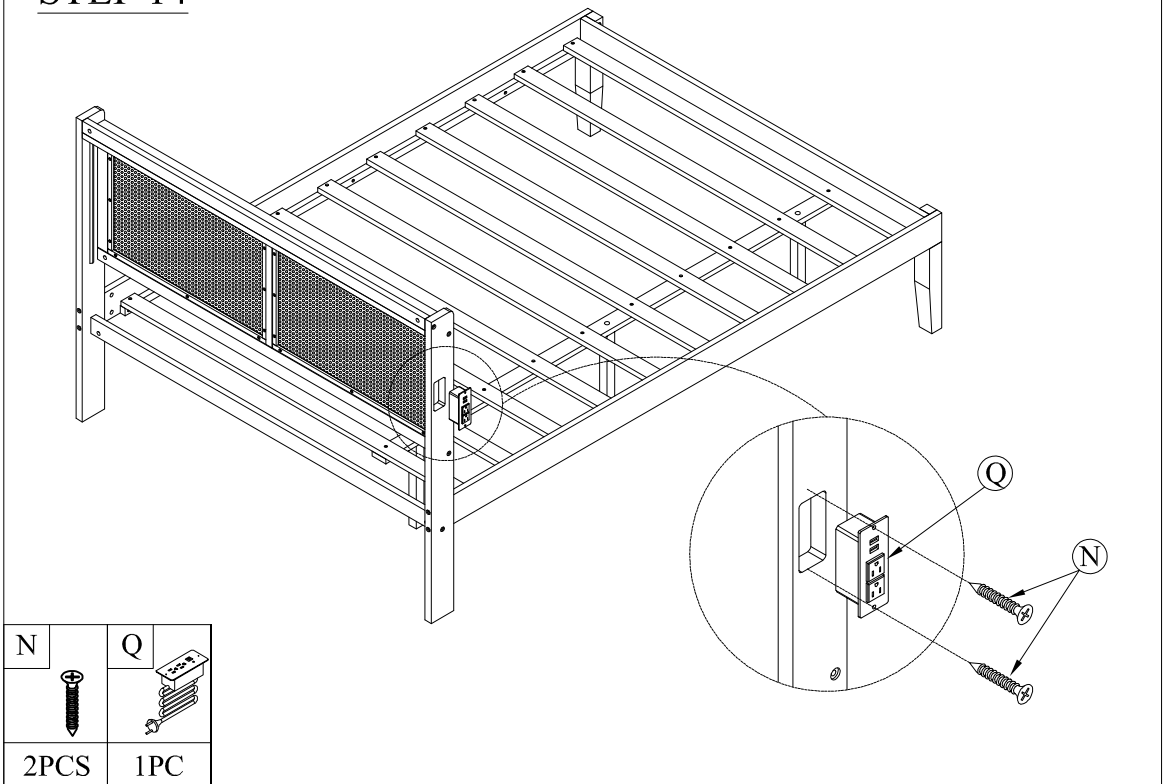


L

16PCS

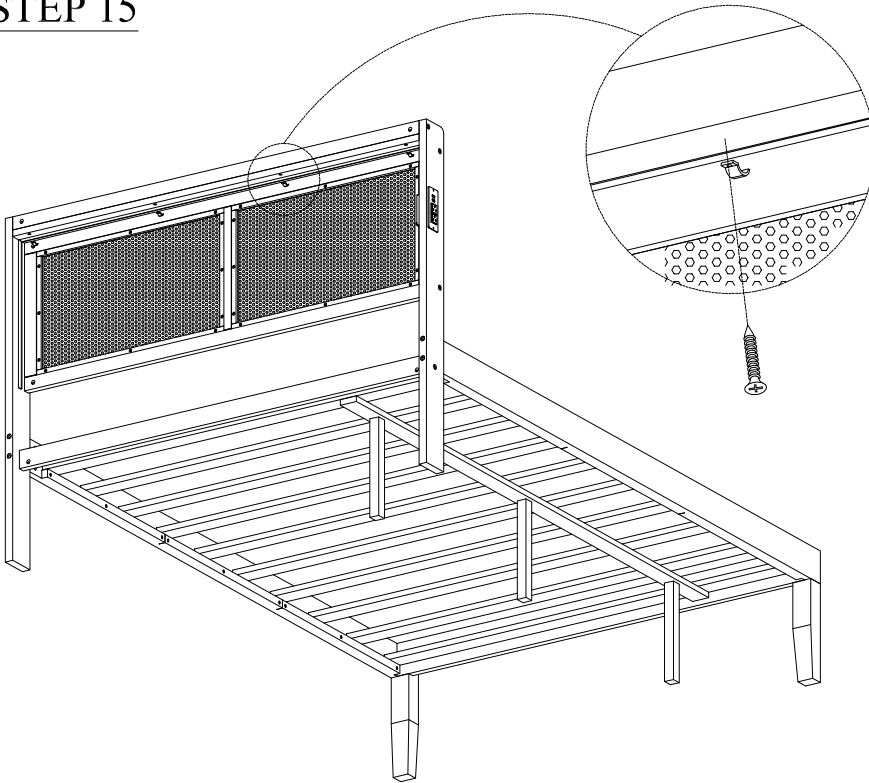
# STEP 13




# STEP 14



STEP 15



R	
LED	
1PC	

COMPLETE

