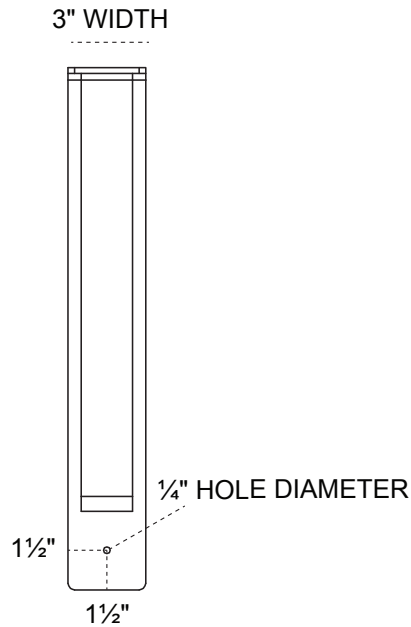
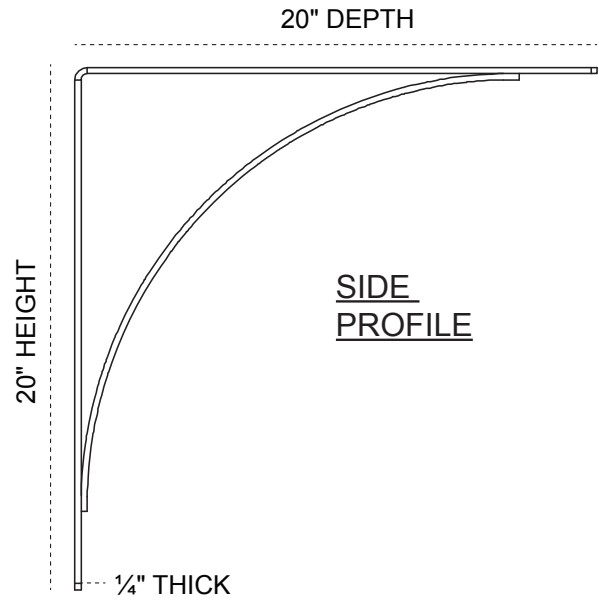


# 3-INCH W X 20-INCH D X 20-INCH H MORRIS BRACKET

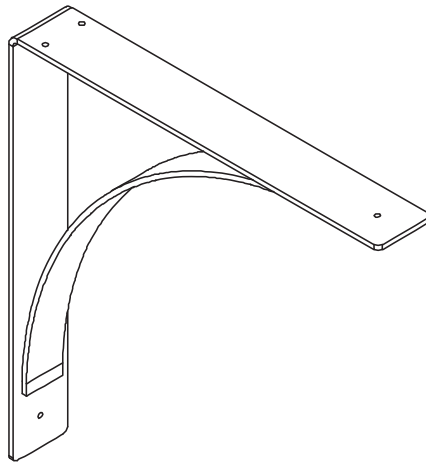
FRONT  
PROFILE



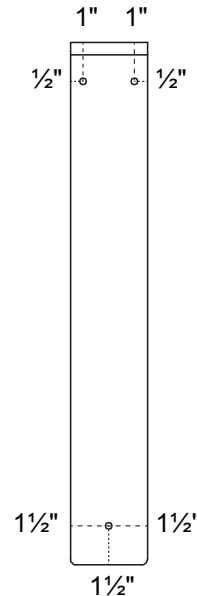
SIDE  
PROFILE



ISOMETRIC  
PROFILE



BACK



**HEAVY-DUTY 1/4" THICK**

**AVAILABLE IN:**  
STAINLESS STEEL  
ZINC PLATED STEEL  
POWDER COATED BLACK

**BKTM03X20X20MOSS**  
**BKTM03X20X20MOCRS**  
**BKTM03X20X20MOPBL**

P:866.607.0453 | F: 866.591.3143  
2300 W. Main St. | Clarksville, TX 75426  
sales@ekenamillwork.com | www.ekenamillwork.com



**EKENA**  
MILLWORK