

# RC816F125CH

Meter Mains, Homeline, Combination Service Entrance, ringless socket, 125A, surface mount, maximum 8 spaces, 16 circuits, horn bypass



## Main

Product or component type	Meter Mains
Range of product	Homeline

## Complementary

Line Rated Current	125 A
Short-circuit current	22 kA
Network number of phases	1
Meter socket type	Ringless
Mounting	Surface
Number of spaces	8
Number of circuits	16
Number of Tandem Breakers	8
Hub type	A
Electrical connection	Lugs line side Feed-thru lugs service ground
Wire Size	AWG 6...350 kcmil aluminium/copper)line side AWG 12...AWG 2/0 aluminium/copper)service ground
Tightening torque	Main lugs 250 lb.in, AWG 6...350 kcmil, aluminium/copper Service ground 50 lb.in, AWG 14...AWG 2/0, copper Service ground 50 lb.in, AWG 12...AWG 2/0, aluminium Branch lugs 35 lb.in, AWG 6...AWG 4, aluminium/copper Branch lugs 25 lb.in, AWG 8, aluminium/copper Branch lugs 20 lb.in, AWG 14...AWG 10, copper Branch lugs 20 lb.in, AWG 12...AWG 10, aluminium Cover 10 lb.in
Disconnect	Service disconnect (factory installed)
Main Breaker Rating	125 A
Branch Breaker Rating	100 A
Service feed location	OH UG
Bypass type	Horn bypass
Maximum Depth	5.07 in (128.78 mm)
Maximum Width	14.37 in (365.00 mm)
Maximum Height	35.13 in (892.30 mm)

## Environment

Product certifications	UL E-6294
------------------------	-----------

The information provided in this documentation contains general descriptions and/or technical characteristics of the performance of the products contained herein. This documentation is not intended as a substitute for and is not to be used for determining suitability or reliability of these products for specific user applications. It is the duty of any such user or integrator to perform the appropriate and complete risk analysis, evaluation and testing of the products with respect to the relevant specific application or use thereof. Neither Schneider Electric Industries SAS nor any of its affiliates or subsidiaries shall be responsible or liable for misuse of the information contained herein.

## Ordering and shipping details

Category	00048 - HOM METER MAINS
Discount Schedule	DE3A
GTIN	00785901401834
Nbr. of units in pkg.	1
Package weight(Lbs)	42.52 lb(US) (19.29 kg)
Returnability	Yes
Country of origin	MX

## Packing Units

Unit Type of Package 1	PCE
Package 1 Height	6.00 in (15.24 cm)
Package 1 width	15.00 in (38.1 cm)
Package 1 Length	36.30 in (92.202 cm)
Unit Type of Package 2	PAL
Number of Units in Package 2	21
Package 2 Weight	912.00 lb(US) (413.676 kg)
Package 2 Height	40.00 in (101.6 cm)
Package 2 width	40.00 in (101.6 cm)
Package 2 Length	48.00 in (121.92 cm)

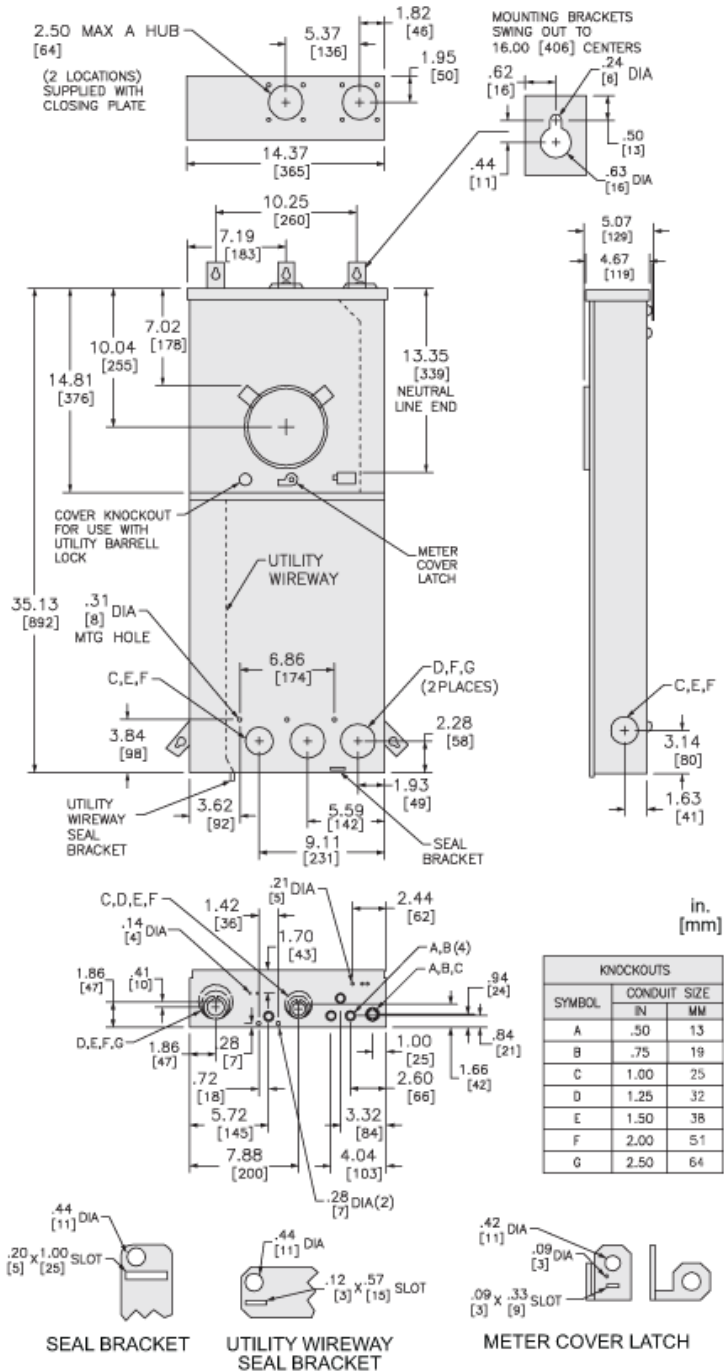
## Offer Sustainability

Sustainable offer status	Green Premium product
REACH free of SVHC	Yes
EU RoHS Directive	Compliant <a href="#">EU RoHS Declaration</a>
Toxic heavy metal free	Yes
Mercury free	Yes
RoHS exemption information	<a href="#">Yes</a>
China RoHS Regulation	<a href="#">China RoHS Declaration</a>
Environmental Disclosure	<a href="#">Product Environmental Profile</a>

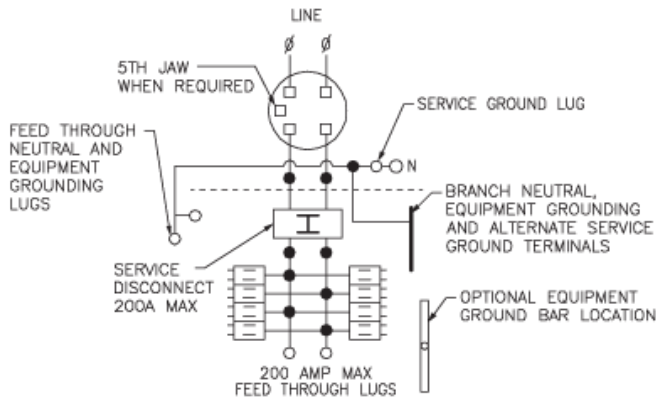
## Contractual warranty

Warranty	18 months
----------	-----------

Approximate Dimensions



Connections and Wiring Diagrams



● □ TWO SINGLE POLE, ONE PLUG-ON SPACE TYPE HOMT OR ONE SINGLE POLE TYPE HOM, TWO POLE TYPE HOM OR HOMT (15-100A) MAY PLUG ON TWO ADJACENT SPACES, TWO POLE HOMA (150-200A) MAY PLUG ON FOUR ADJACENT SPACES.

A SQUARE D UL LISTED SECONDARY SURGE ARRESTER MAY PLUG ON TWO ADJACENT SPACES. ORDER CATALOG NO. HOM2175SB.