

Technical Specifications

Rated Power	Product Size	Product Weight	Product Material	DustCup Capacity	Power Mode
30W	6.1**5.8**2.2"	0.48 Lbs	ABS	0.1 L	Usb Charging

Warning and Precautions

1. Do not remove, repair, or modify the product in any way. Doing so will void the warranty
2. Do not cover the exhaust vent when operating the unit, as doing so may cause the unit to overheat and in certain circumstances catch fire.
3. Avoid vacuuming objects that can cause fire or explosions, such as cigarette buds or matches.
4. Store the vacuum out of reach of children and unplug once fully charged
5. Make sure to turn the unit off before charging with the UsB charging cord. Do not use while the unit is charging with the UsB cord.

This product has a 1-year limited warranty. For further information please visit our website at www.techkogroup.com

Copyright Reserved

☎ 1-888-883-2456

✉ support@techkogroup.com

Handheld Cordless Vacuum

USER MANUAL

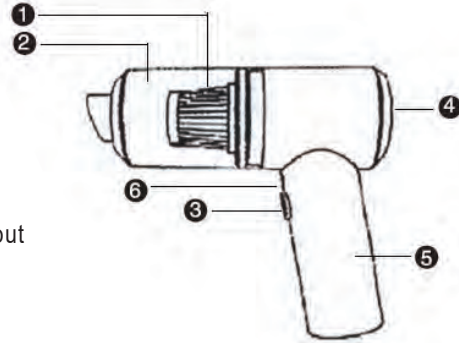


TECHKO[®]

Model: CL-105

Product introduction

- ① Filter
- ② Dust bin
- ③ Power Switch
- ④ Exhaust vents
- ⑤ Handle
- ⑥ Power supply Input



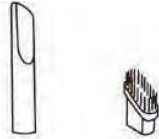
Accessories and Attachments

USB Charging Cords



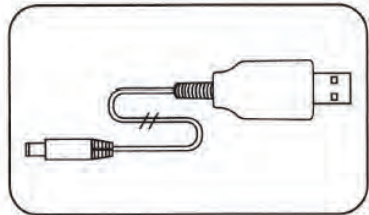
Attachments

a. Crevice Tool b. Brush Tool



How to charge the Vacuum

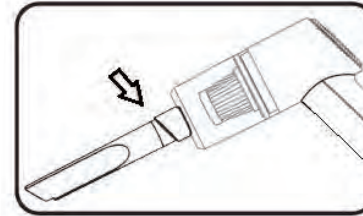
1. Connect USB charging cord to a power adapter (not included) or directly to a USB port and charge the battery to full.



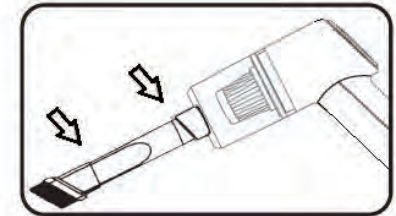
How to Use Attachments

Crevice Tool: For use around narrow gaps and edges.

Connect crevice tool to main body as shown in diagram.



Brush Tool: For use on surfaces requiring softer surface cleaning. Can connect to crevice tool as shown in diagram or to main body directly.



How to Clean the Filter

1. Rotate the dustbin counter clockwise to remove the dustbin from the vacuum body

- 2a. Remove the HEPA filter from the dustbin
- 2b. Empty the dustbin contents into the trash

3. If needed, use a slightly damp cloth to wipe inside the dustbin. The filter can be rinsed under water, however, allow ample time to dry completely before reinstalling back to the dustbin to use.

To reinstall the dustbin and filter, insert the filter back into the dustbin, then rotate the dustbin clockwise to lock into place.

