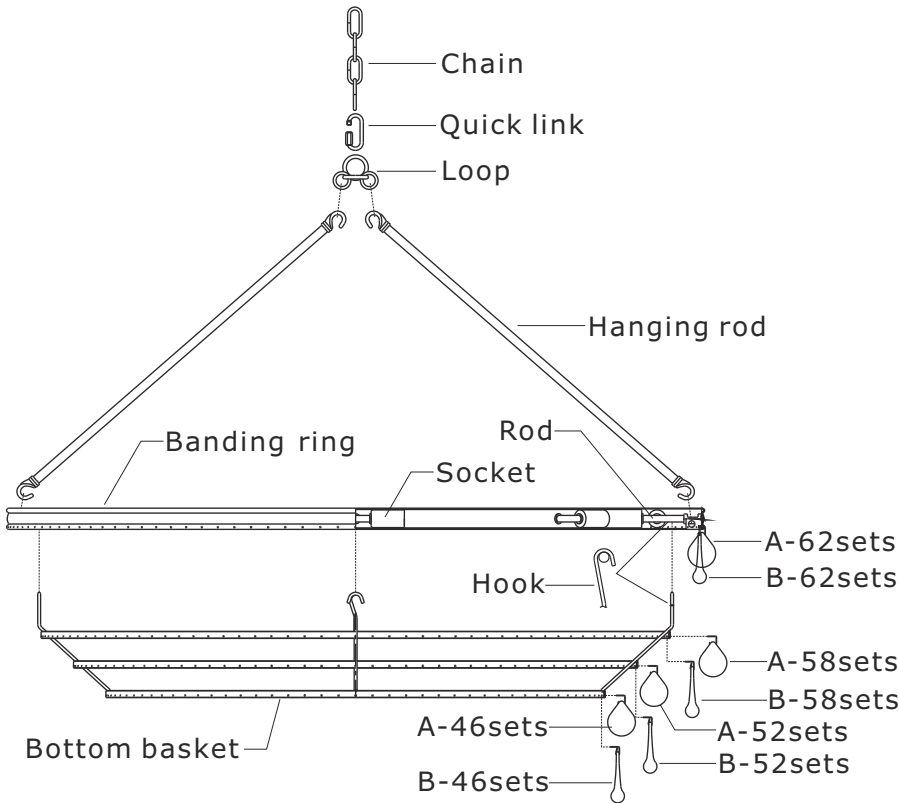


# CRYSTORAMA

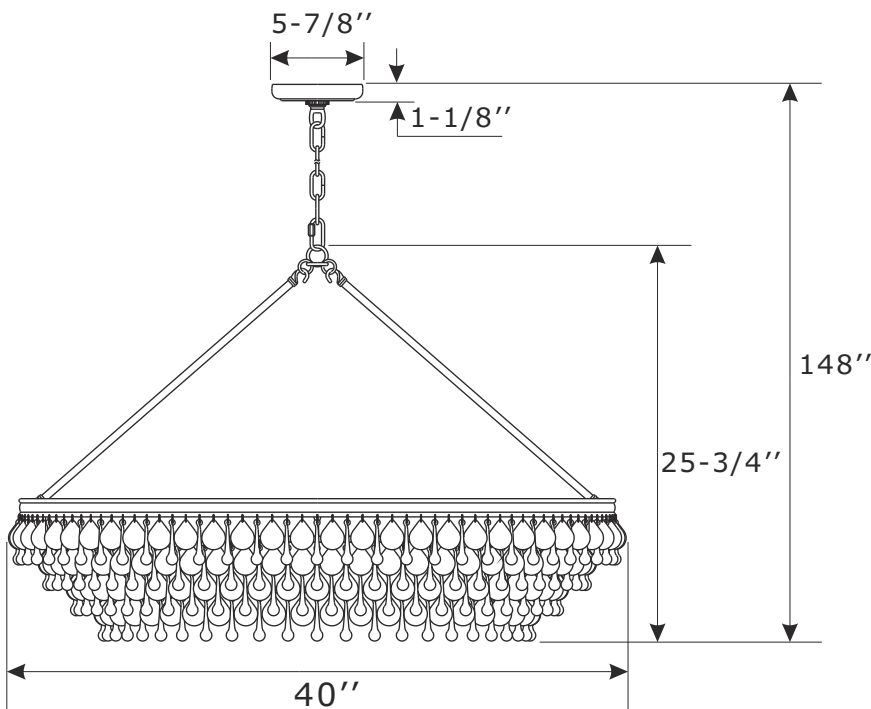
LIGHTING THE WAY FOR SIXTY YEARS




## ASSEMBLY INSTRUCTION MODEL#278-VZ



**Hang crystals on the rings alternating between crystals A and B**



A =  40mmx218sets

B =  76mmx218sets




All electrical components must be installed by a licensed electrician in accordance with the National Electric Code and the appropriate local electrical codes.



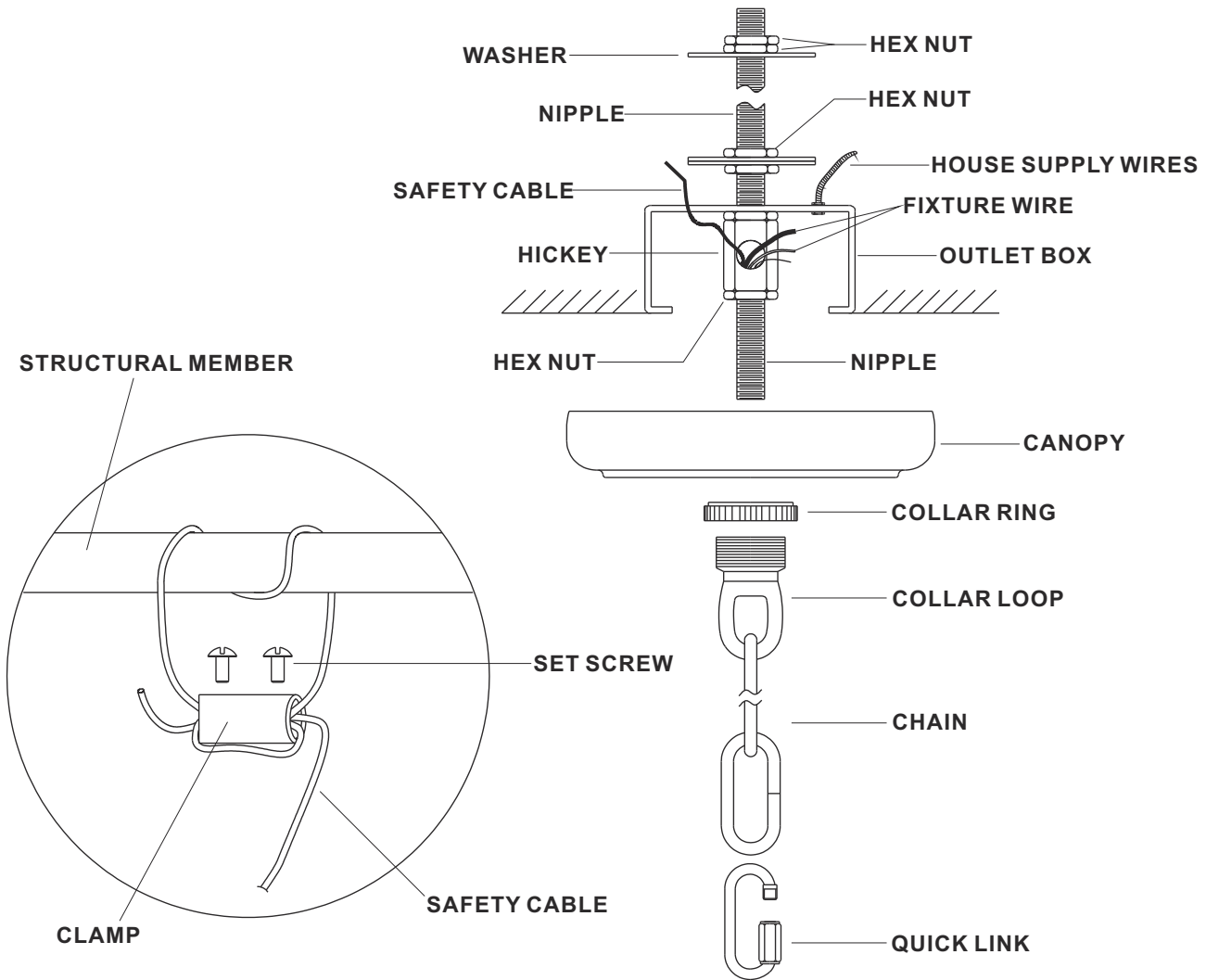
You will need 8- Candelabra Base Bulb  
40 Watts Recommended 60 Watts Max.  
USE LED BULBS FOR EXTENDED USE  
This fixture is Damp rated

### For ceiling:

1. Connect one end of hanging rod to the hole inside the banding ring, the second end of it to the loop.
2. Raise the bottom basket and connect the hooks of the bottom basket to the rods of the banding ring.
3. Install the fixture onto the outlet box. The fixture weighs over 50lb and a safety cable is supplied with the fixture. Please follow the detailed installation steps on next page.
4. Hang crystals to the banding ring and bottom basket, alternating between glass drop A and B.
5. Install the bulb(not included) into the socket.

 **WARNING:** This product can expose you to Lead which is known to the state of California to cause cancer and/or birth defects or reproductive harm. For more information go to [www.P65Warnings.ca.gov](http://www.P65Warnings.ca.gov)

## SAFETY CABLE INSTALLATION INSTRUCTIONS



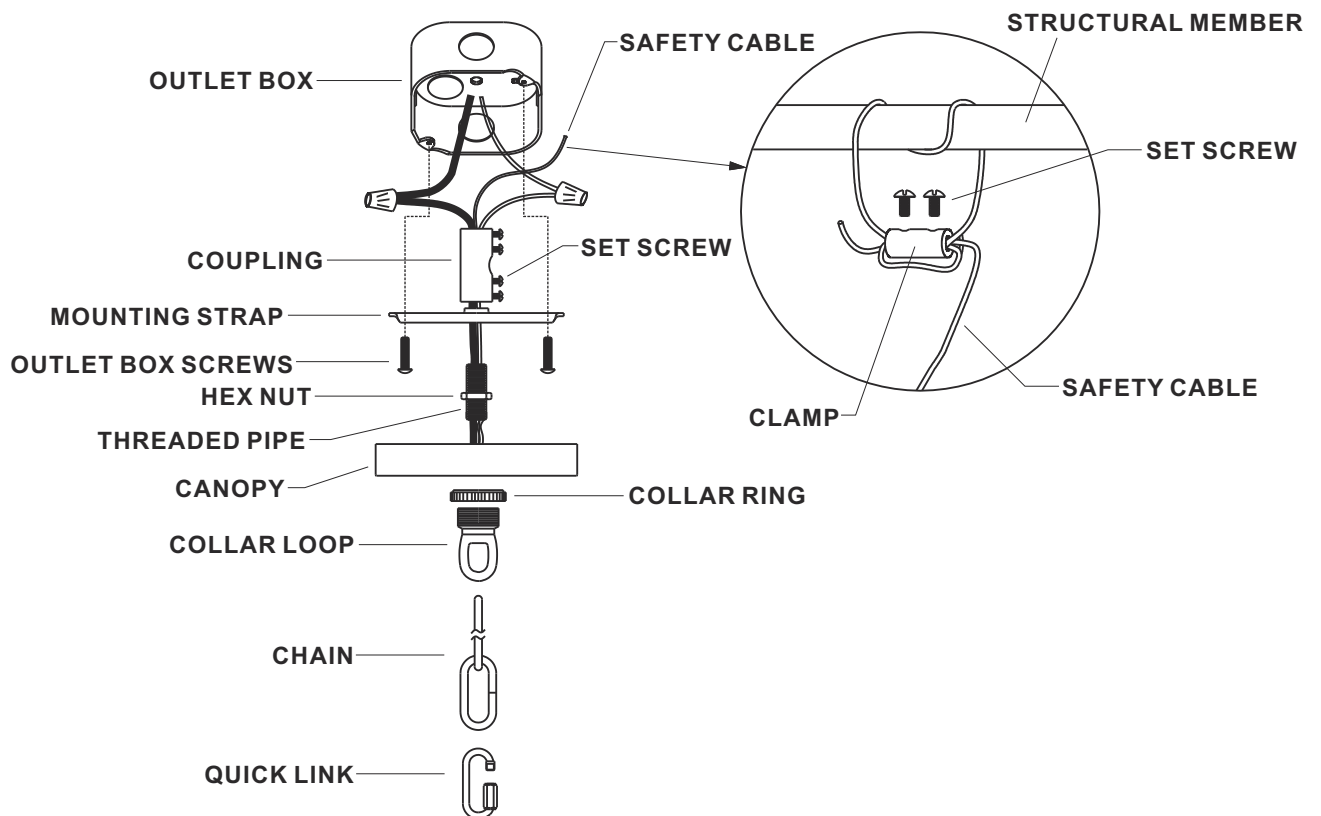
### IMPORTANT:

**FOR A SAFE AND SECURE INSTALLATION, THESE FIXTURES MUST BE INSTALLED BY MEANS OF SUPPORTS THAT ARE INDEPENDENT OF THE OUTLET BOX.**

### SUGGESTED INSTALLATION:

1. Provide a 1/4 IPS pipe with one end securely mounted to a beam or a structural member. The other end should protrude through the center of the outlet, as shown.
2. Assemble the screw collar loop, nipple, hex nuts and hickey to center 1/4 IPS support pipe and adjust overall length to allow the collar ring to hold the canopy flush to the ceiling. When the adjustments have been completed secure the hex nut, as shown.
3. Attach the chain to the fixture loop. Slide the screw collar ring over the upper end of the chain, through the (Finished side down). Open the end link of chain and lift the fixture to attach to the screw collar loop and secure the link.
4. Lace the fixture wires, ground wires and safety cable through the chain and screw collar loop, existing through the side of HICKEY. Proceed to attach the FIXTURE GROUND WIRE to HOUSE GROUND WIRE using wire connector. Using wire connectors, connect the HOUSE WHITE WIRE to the FIXTURE SUPPLY WIRE (WHITE OR RIBBED SIDE); connect the HOUSE BLACK (or RED) WIRE to the FIXTURE SUPPLY WIRE (BLACK or SMOOTH SIDE). Wrap all connectors with approved electrical tape. Wrap safety cable around outlet box brace and pull cable taut. Secure cable with the clamp and (2) set screws provided, as shown.
5. Push the CANOPY upward over the OUTLET BOX. Be sure that all wires are carefully tucked into the OUTLET BOX cavity. Secure canopy against ceiling by threading CANOPY LOCK RING onto the CANOPY LOOP. Tighten until snug.

**\*\*\* ATTENTION-If the use of the Mounting Bracket is the installation method being done, you will need an outlet box (not supplied) rated for 100lbs or more \*\*\***



**NOTE:NEC CODE (314.24) requires that ceiling outlet boxes in the United States support up to 50 lbs. This fixture exceeds 50 lbs. and must be installed using an outlet box approved for up to 100 lbs. or independently of the existing outlet box. Installation hardware and instructions are provided for both.**

**MOUNTING TO A 100 lb. MAX. APPROVED OUTLET BOX.**

- 1. Feed the Support cable from the fixture through the outlet box. Drill 3/16" diameter hole in outlet box if no other holes are available. Wrap safety cable around the structural member and pull cable taut. Secure cable with the clamp and (2) set screws provided.**
- 2. Screw the threaded rod into the coupling until the threaded rod is flush with top of the coupling. Secure in place by tightening the sets screw.**
- 3. Pass the threaded pipe through the mounting strap.**
- 4. Thread screw collar loop onto the threaded rod until the threaded rod is flush with hole on lower side of screw collar loop.**
- 5. Secure screw collar loop in place by tightening the hex nut.**
- 6. Assemble the mounting strap to outlet box using screws provided with outlet box.**
- 7. Attach the chain to the fixture loop. Slide the screw collar ring over the upper end of the chain, through the (Finished side down). Open the end link of chain and lift the fixture to attach to the screw collar loop and secure the link.**
- 8. Lace the fixture wires, ground wires and safety cable through the chain and screw collar loop. Proceed to attach the FIXTURE GROUND WIRE to HOUSE GROUND WIRE using wire connector. Using wire connectors, connect the HOUSE WHITE WIRE to the FIXTURE SUPPLY WIRE (WHITE OR RIBBED SIDE); connect the HOUSE BLACK (or RED) WIRE to the FIXTURE SUPPLY WIRE (BLACK or SMOOTH SIDE). Wrap all connectors with approved electrical tape.**
- 9. Push the CANOPY upward over the OUTLET BOX. Be sure that all wires are carefully tucked into the OUTLET BOX cavity. Secure canopy against ceiling by threading CANOPY LOCK RING onto the CANOPY LOOP. Tighten until snug.**



## Part Number

### Part Numbers

For 50lbs rated outlet box

- (1)-Long threaded rod
- (1)-Hickey
- (1)-Short threaded pip
- (3)-Metal washer
- (7)-Hex nut

For 100lbs rated outlet box

- (1)-Thread pipe
- (1)-Mounting strap
- (2)-Two machine screws
- (1)-Coupling with set screws
- (1)-Hex nut

- A. (1)-Canopy W5-7/8"xH1-1/8" #XRF275VZCAN5.875IN
- B. (1)-Collar ring
- C. (1)-Collar loop
- D. (1)-Chain -L120", 5mm thick #XRF278VZCHA5MM
- E. (1)-Quick link
- F. (1)-Loop #XRF275VZLOOP
- G. (3)-Hanging rod #D1/2"xL23-3/4" #XRF278VZHROG23.75IN
- H. (1)-Banding ring #XRF278VZRING
- I. (8)-Socket
- J. (1)-Bottom basket XRF278VZBT

