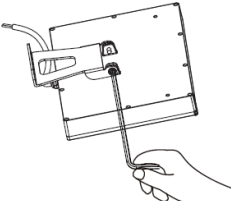
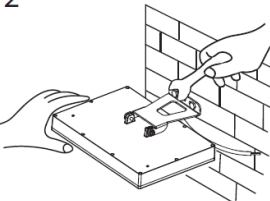
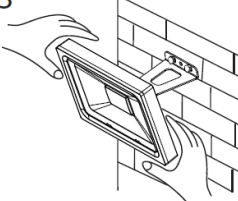
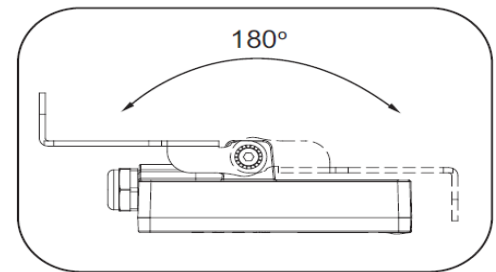
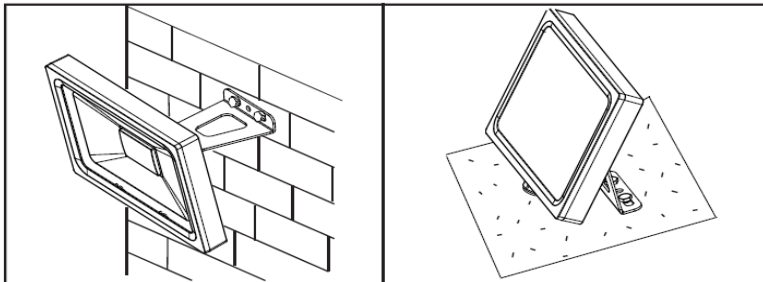
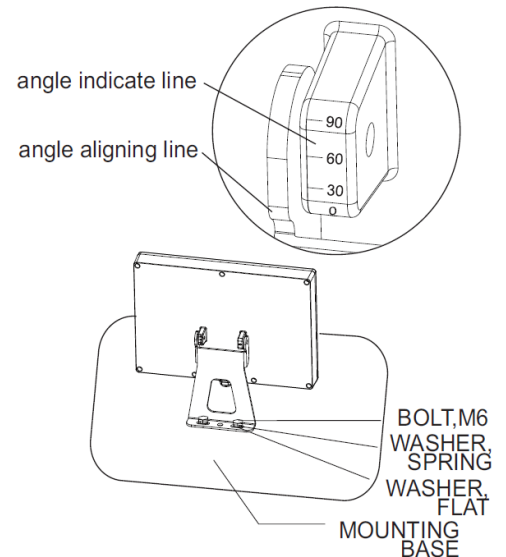


## SUNRIVER Flood Light – SLIM PROFILE

### Installation Instruction

<p>1</p> 	<p>2</p> 	<p>3</p> 
<p>Turn mounting bracket to right position as picture shows. Lock mounting bracket with socket head wrench.</p>	<p>Align mounting holes on lamp bracket with hole on mounting surface. Lock with wrench, screw locking torque should be no less than 8N.m.</p>	<p>Lamp can be adjustable to suitable position by angle indicate line. Use hexagon wrench locking again.</p>



- 1) This light must be installed by a licensed electrician. This fixture must be grounded.
- 2) Turn the power supply off instantly before installation or if any sparks or smoke is observed after installation.
- 3) All wiring must be properly insulated and water proofed.
- 4) Use a dry cloth for cleaning the light.
- 5) Danger of electric shock! Any maintenance must be done by a licensed electrician.
- 6) The external flexible cable may not be replaced. In case of damage to the cable the fixture must be replaced.