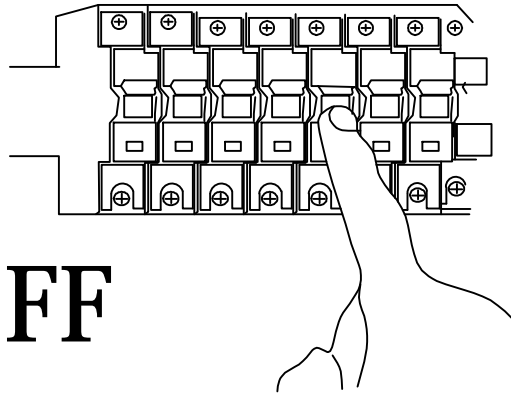


# Installation

1



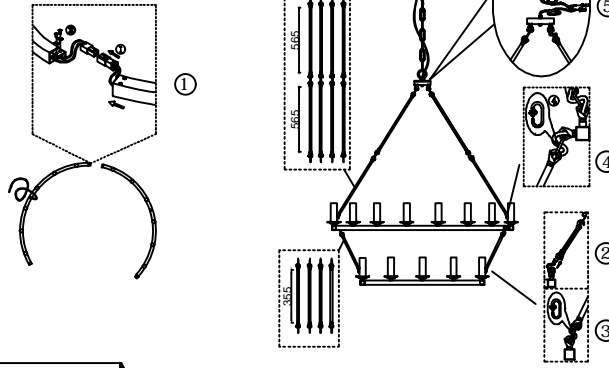
**OFF**

## STEPS

Turn off the power

2

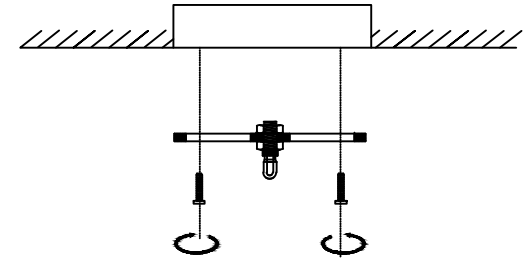
- ① Connect the male and female wires properly, and then assemble the hardware ring with screws
- ② Thread the wires through the suspension rod
- ③ Connect the small circle to the suspension rod
- ④ Connect the large circle to the suspension rod
- ⑤ Connect the lamp body wires to the main wires



## STEPS

And then proceed to the next step, as shown in Figure 3

3



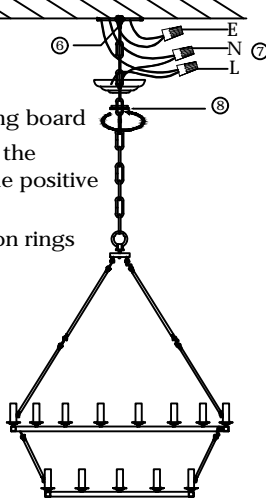
## STEPS

Install the hanging board on the ceiling, and then proceed to the next step, as shown in Figure 4

4

- ⑥ Hang the suspension chain on the hanging board
- ⑦ Connect the power wire of lamp body to the reserved Power cable, pay attention to the positive and negative poles
- ⑧ Fix the ceiling cover to the ceiling with iron rings

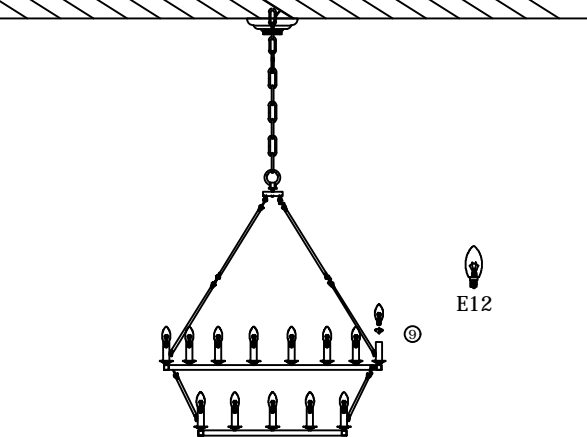
black L  
white N  
Earth E



## STEPS

And then proceed to the next step, as shown in Figure 5

5



- ⑨ Twist the light bulb onto the lamp body

## STEPS

The installation is complete

## Caution:

Advertencia:

- 1.Voltage: 110V-130V
- 2.Bulb Model: E12 / MAX-40W
- 3.Before installation, please check whether the accessories are complete,If you have any problem, please contact our customer service in time
- 4.Before installation, please cut off the power supply to prevent electric shock.
- 5.Please be sure the installation according to the company's instructions.



Screw



Wire connector



Instruction