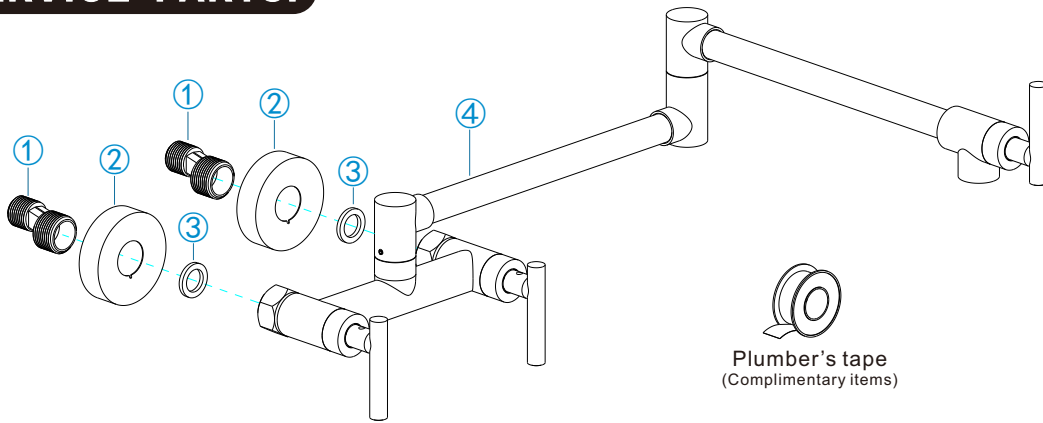


HIGH-QUALITY

FAUCETS

INSTALLATION GUIDE

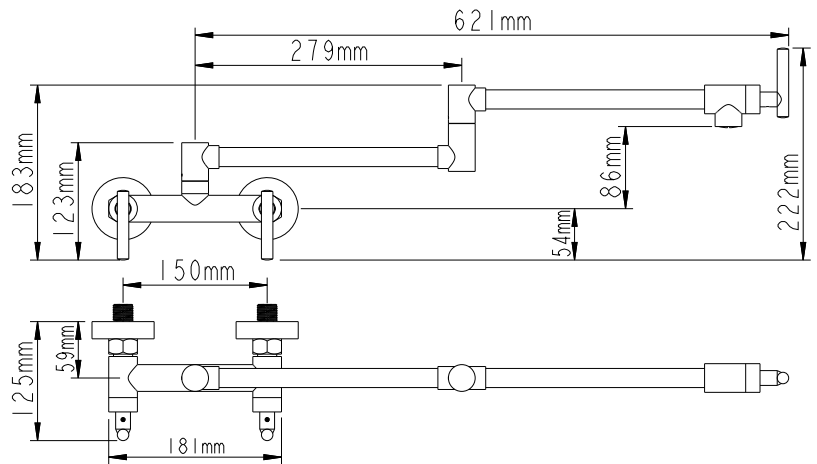
SERVICE PARTS:



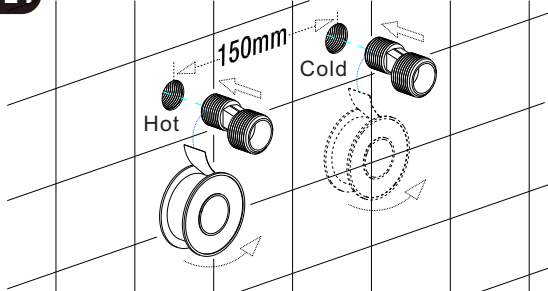
No.	DESCRIPTION
1	offset connector
2	escutcheon
3	washer
4	faucet

NOTES AND DIMENSIONS:

1. Please check that all components and tools are present.
2. Before installation ensure that all feed lines are clear of debris and on/off valve is present.
3. Ensure water pressure is between 20~125 PSI. (includes combination of hot and cold feed lines)
4. Pictures in the manual are general in content and may not represent exactly your purchased faucet. If you are having difficulties please contact a professional plumber.
5. If you will be away from home for an extended period you should shut off the main water supply.

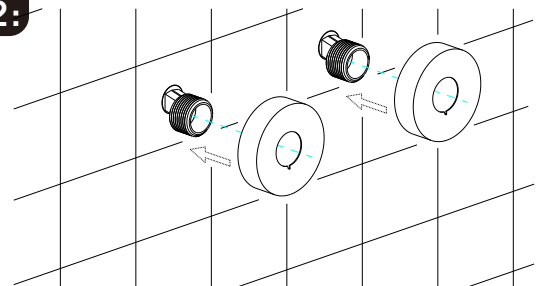


Step 1:



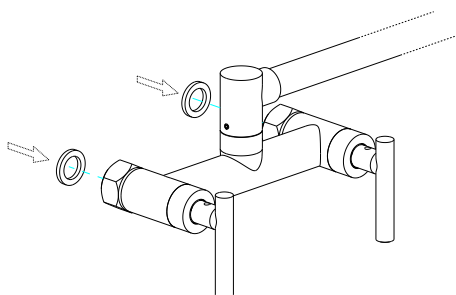
To perform installation, installer must provide G1/2" female supply fittings, spaced 150mm apart, level and not extending beyond the finished wall surface. Hot supply pipe must be located on the left.

Step 2:



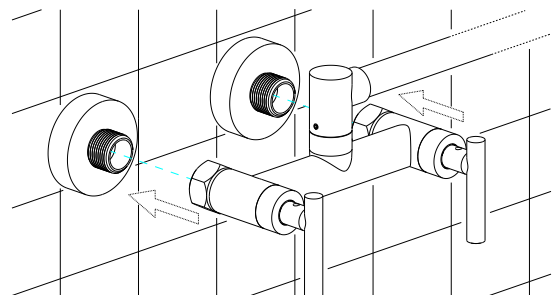
Adjust the center-to-center distance between the connectors to 150mm and level. They should extend 40 to 45mm beyond the finished wall. Thread the escutcheons onto the connectors until they are against the finished wall.

Step 3:



Put washer into nut of the faucet.

Step 4:



Tighten the faucet to the connectors with a wrench. Installation complete.