



Devonshire® | K-1184-LA

60" x 32" alcove bath, left drain

Features

- Integral lumbar support and armrests offer extra comfort while bathing
- Integral apron
- Integral flange helps prevent water from seeping behind wall and simplifies alcove installation
- Textured bottom surface
- Coordinates with other products in the Devonshire collection



Available Colors/Finishes

Color tiles intended for reference only.

- 0 White



1-800-4KOHLER (1-800-456-4537)
Kohler Co. reserves the right to make revisions without notice to product specifications.
For the most current specification sheet, go to www.kohler.com USA or www.kohler.ca Canada.
3-27-2026 17:24 - US-CA

THE BOLD LOOK
OF **KOHLER**®

Codes/Standards

CSA B45.5/IAPMO Z124

Technical Information

All product dimensions are nominal.

Drain Location:	Left
Drain Hole Diameter:	2-1/4" (57 mm)
Minimum Flat for Door:	2-13/16" (71 mm)
Basin Area, Bottom:	42" x 20" (1067 mm x 508 mm)
Basin Area, Top:	51" x 24" (1295 mm x 610 mm)
Water Depth:	14" (356 mm)
Water Capacity:	60 gal (227.1 L)
Minimum Floor Load:	41 lbs/ft ²
Weight:	80 lbs (36.3 kg)

Material

- Acrylic

Recommended Products/Accessories

K-23726 Drain treatment

K-23732 Tub & shower cleaner

K-706000-L 62" H sliding bath door with 1/4"-thick glass

K-706004-L Sliding bath door, 62" H x 56-5/8 - 59-5/8" W, with 1/4" thick Crystal Clear glass

K-702200-6L 58" H sliding bath door with 1/4"-thick glass

Warranty

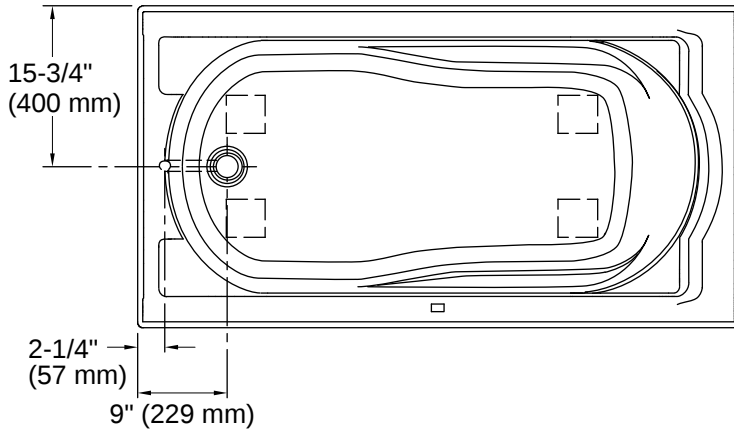
See website for detailed warranty information.

KOHLER® Plastic Baths and Shower Bases Lifetime Limited Warranty

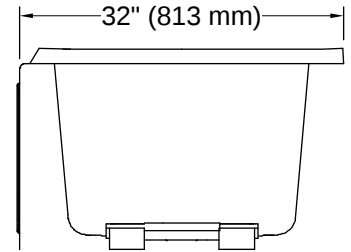
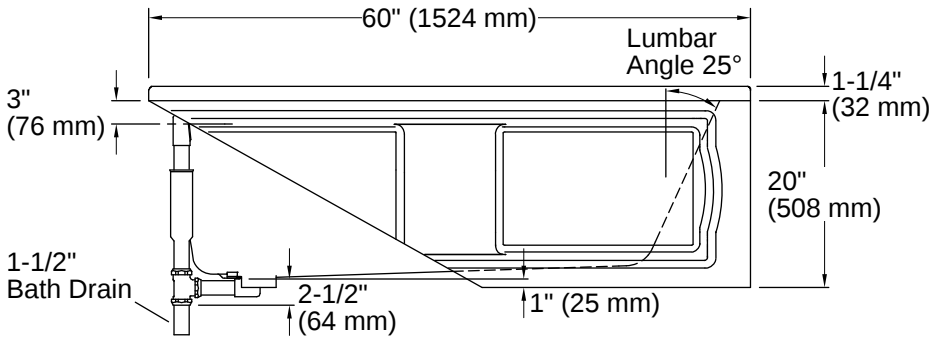
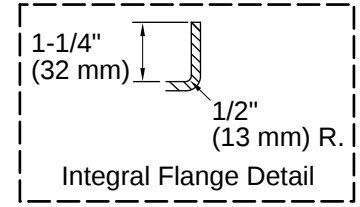


1-800-4KOHLER (1-800-456-4537)

Kohler Co. reserves the right to make revisions without notice to product specifications. For the most current specification sheet, go to www.kohler.com USA or www.kohler.ca Canada. 3-27-2026 17:24 - US-CA



No change in measurements if connected with drain illustrated. (K-7161-AF)



Installation

- Left drain
- Alcove

Installation Notes

Install this product according to the installation instructions.

Measure your actual product for rough-in details.
 The hot water supply should be 70% of the capacity of the bath or greater. Installations will vary.

