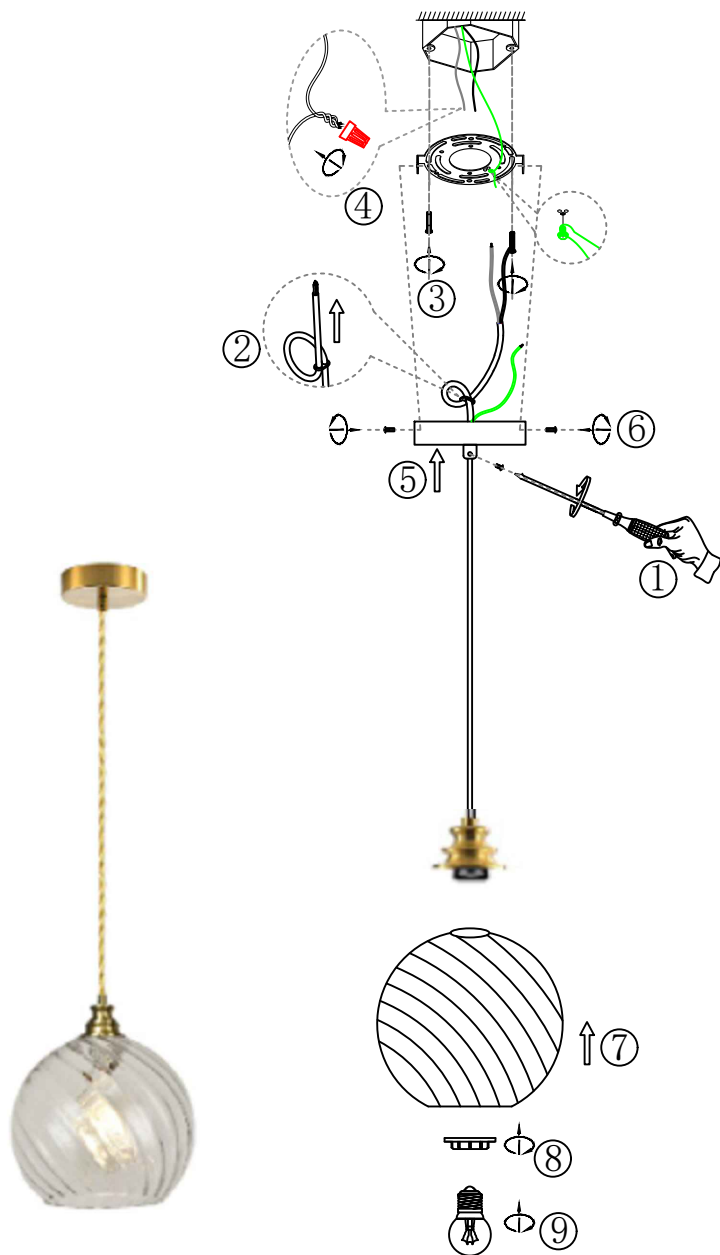


# ASSEMBLY AND INSTALLATION INSTRUCTIONS

**WARNING:** TO AVOID RISK OF ELECTRICAL SHOCK, BE SURE TO SHUT OFF POWER BEFORE INSTALLING OR SERVICING THIS FIXTURE.



## Before You Begin:

- Ensure power is turned off at the circuit breaker before installation.
- Read all instructions carefully.
- Installation should be performed by a qualified electrician if you are unfamiliar with wiring.

## Step-by-Step Installation:

- 1-2. Loosen the rubber screw and move the figure-8 knot to adjust cord length, and then tighten screw to secure.
3. Mount the mounting plate to the junction box with screws.
4. Connect the live, neutral, and ground wire of the lamp body to the corresponding wires in the junction box.
- 5-6. Position the canopy over the mounting plate and tighten the screws.
- 7-8. Align the lampshade with the lamp cup, and then secure it by tightening the threaded component.
9. Install the light source (bulb not included).

## Safety Instructions:

**To avoid fire, shock, and serious personal injury, follow all instructions carefully.**

1. Do not install or use the light fixture if any part is missing or damaged.
2. To avoid possible electrical shock be sure electricity is turned off at the main fuse or circuit breaker box before wiring.
3. Make certain no bare wires are exposed outside the wire connectors.
4. All wiring must conform to national and local electrical codes.
5. Follow the recommended instructions for the proper method of wiring your new light fixture. If you feel you do not have enough electrical wiring knowledge or experience, have your light fixture installed by a licensed electrician. Any electrical work not described in this manual should be performed by a licensed electrician.