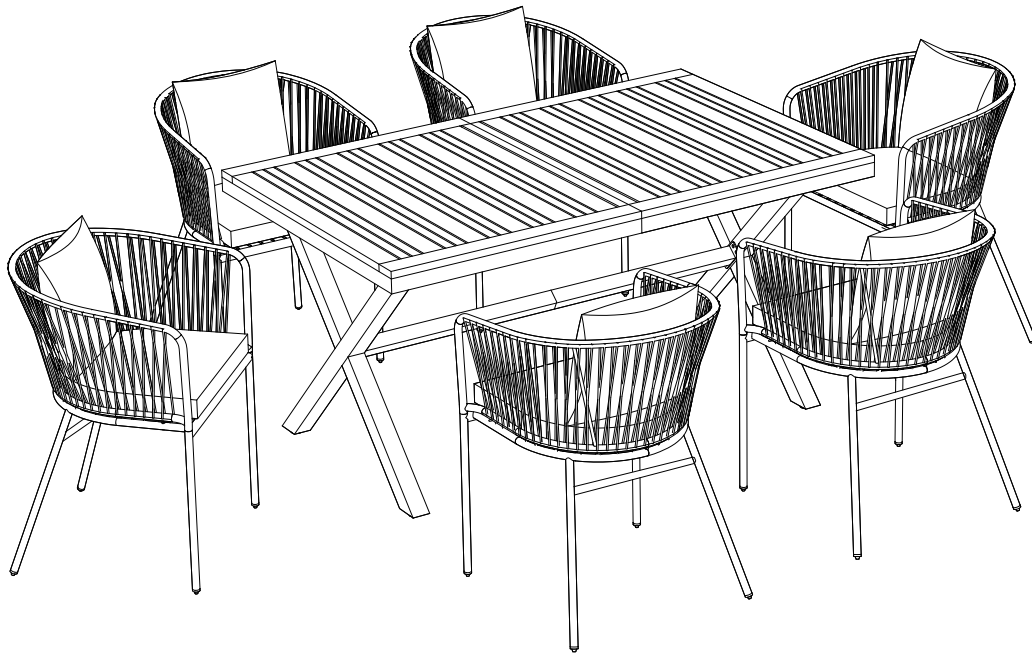


ASSEMBLY INSTRUCTION

PATIO FURNITURE SETS

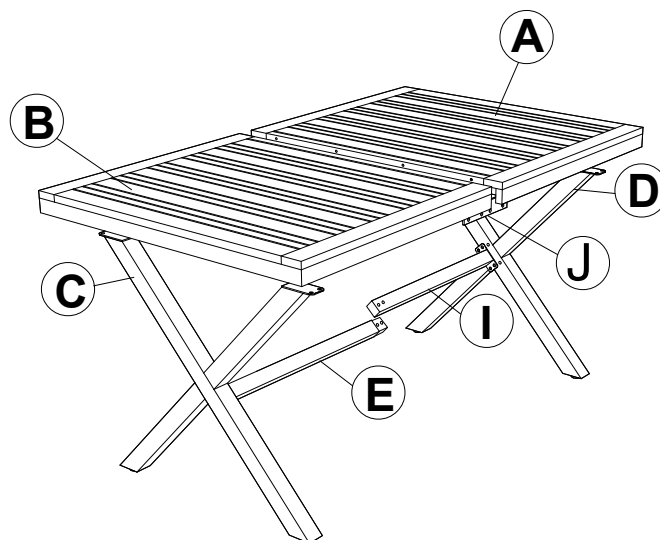


N704P387931;N704P387932; N704P387933

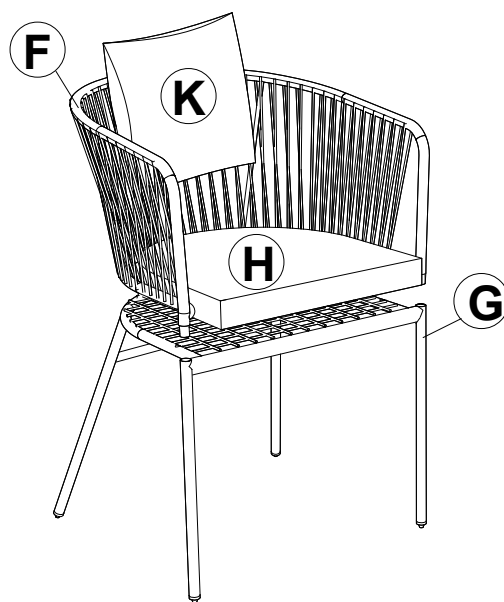
Notice:

1. 50% Tighten before fixing all screws, Allen wrench is recommended instead of an electric drill.
2. Place the item on a flat ground to adjust and make sure it remains stable.
3. Tighten up all screws with tools gradually.
4. If the screws are not aligned with holes during assembly, please loosen all the other screws to 50% and continue the assembly process.
5. If the item is not stable, please loosen all the screws, adjust it on a flat ground and tighten up all screws again.
6. Note : If one or some screws are fully tightened during assembly, chances are the others will not be aligned with holes. In addition, all the holes are designed to be relatively larger to provide more space for the adjustment of the screws.

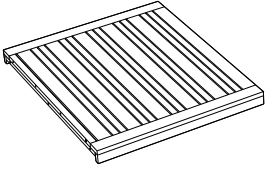
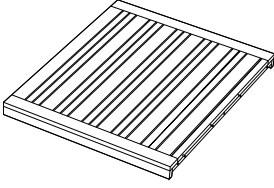
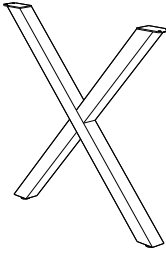
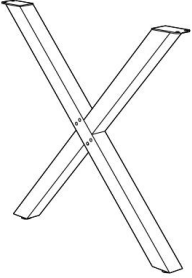
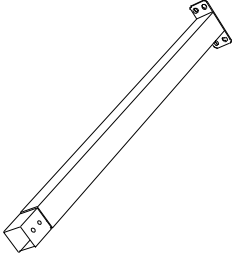
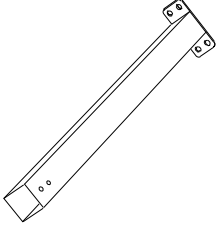
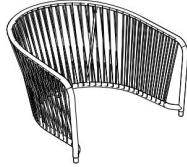
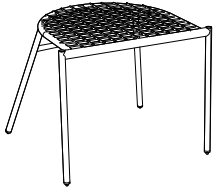
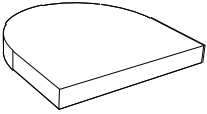
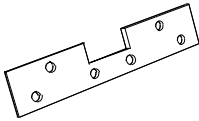
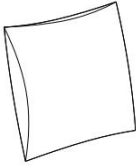
x1



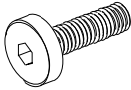
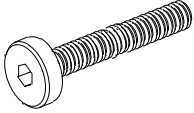
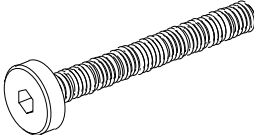
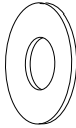
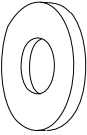
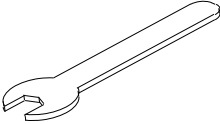
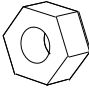
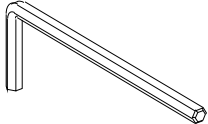
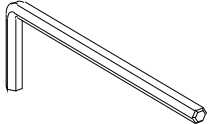
x6



Part List :

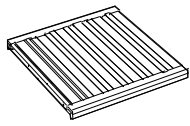
<p>A</p>  <p>Top Right Table (1 pc)</p>	<p>B</p>  <p>Top Left Table (1 pc)</p>	<p>C</p>  <p>Left Leg Table (1 pc)</p>	<p>D</p>  <p>Right Leg Table (1 pc)</p>
<p>E</p>  <p>Half Bar 1 (1 pc)</p>	<p>I</p>  <p>Half Bar 2 (1 pc)</p>	<p>F</p>  <p>Back Chair Frame (6 pcs)</p>	<p>G</p>  <p>Seat Chair Frame (6 pcs)</p>
<p>H</p>  <p>Seat Chair Cushion (6 pcs)</p>	<p>J</p>  <p>Flat Connector (2 pcs)</p>	<p>K</p>  <p>Back Chair Cushion (6 pcs)</p>	

Hardware :

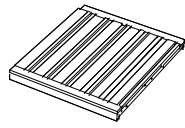
<p>1</p>  <p>Extra (3 pcs) Bolt M6x15 (30 pcs)</p>	<p>2</p>  <p>Extra (2 pcs) Bolt M6x40 (18 pcs)</p>	<p>3</p>  <p>Extra (1 pc) Bolt M6x55 (3 pcs)</p>	<p>4</p>  <p>Extra (3 pcs) Flat Washer M6 (36 pcs)</p>
<p>5</p>  <p>Extra (2 pcs) Plastic Washer M6 (18 pcs)</p>	<p>6</p>  <p>Key (1 pc)</p>	<p>7</p>  <p>Extra (1 pc) Nut M6 (3 pcs)</p> <p>8</p>  <p>Extra (1 pc) Plastic Bolt Cover (2 pcs)</p>	<p>9</p>  <p>Allen Key (2 pcs)</p>

CARTON CONTENT:

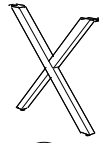
N704P387931



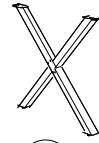
A x1



B x1

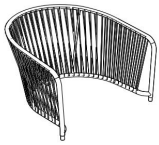


C x1



D x1

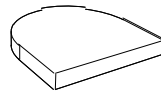
N704P387932



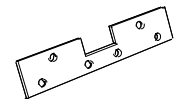
F x3



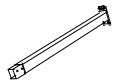
G x3



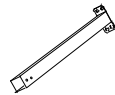
H x3



J x2



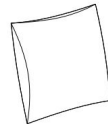
E x1



I x1

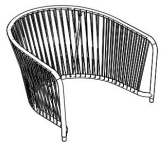


Hardware



K x3

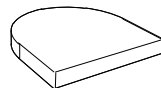
N704P387933



F x3



G x3



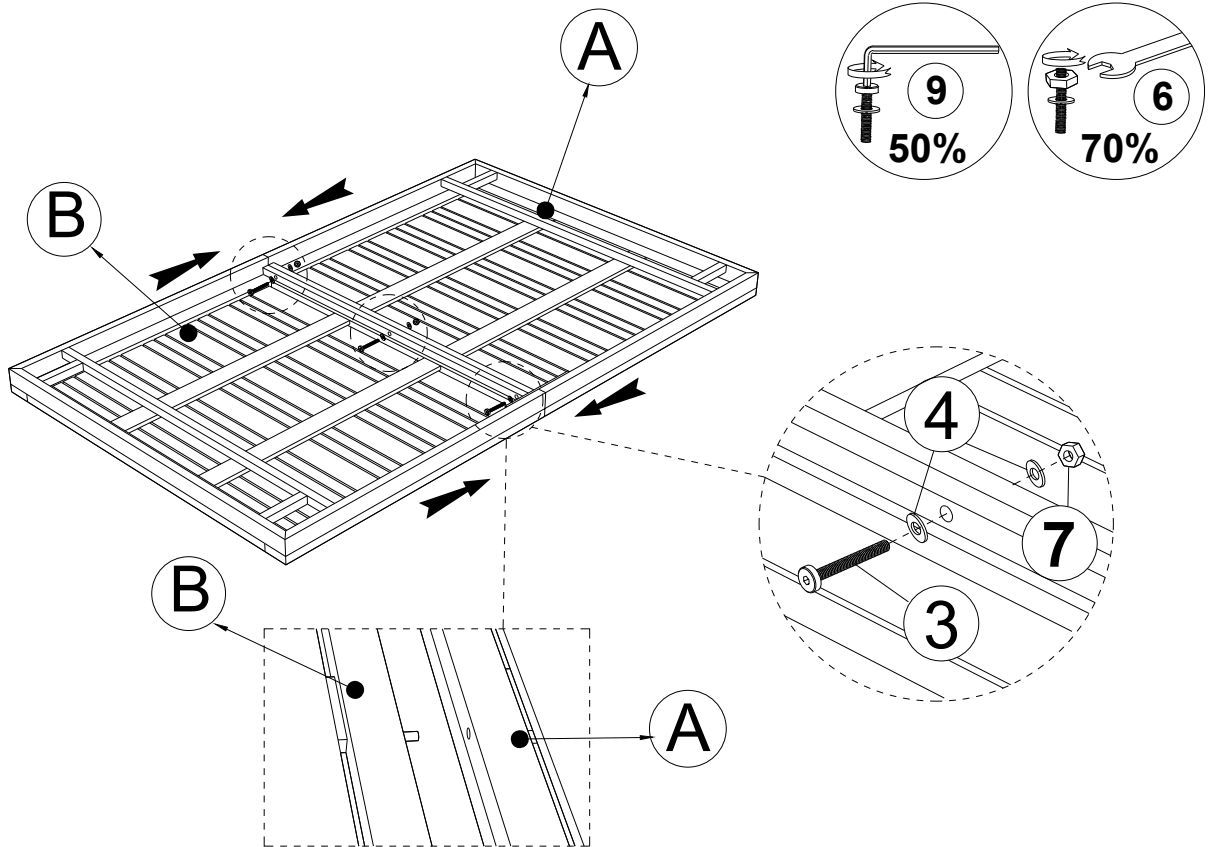
H x3



K x3

STEP 1

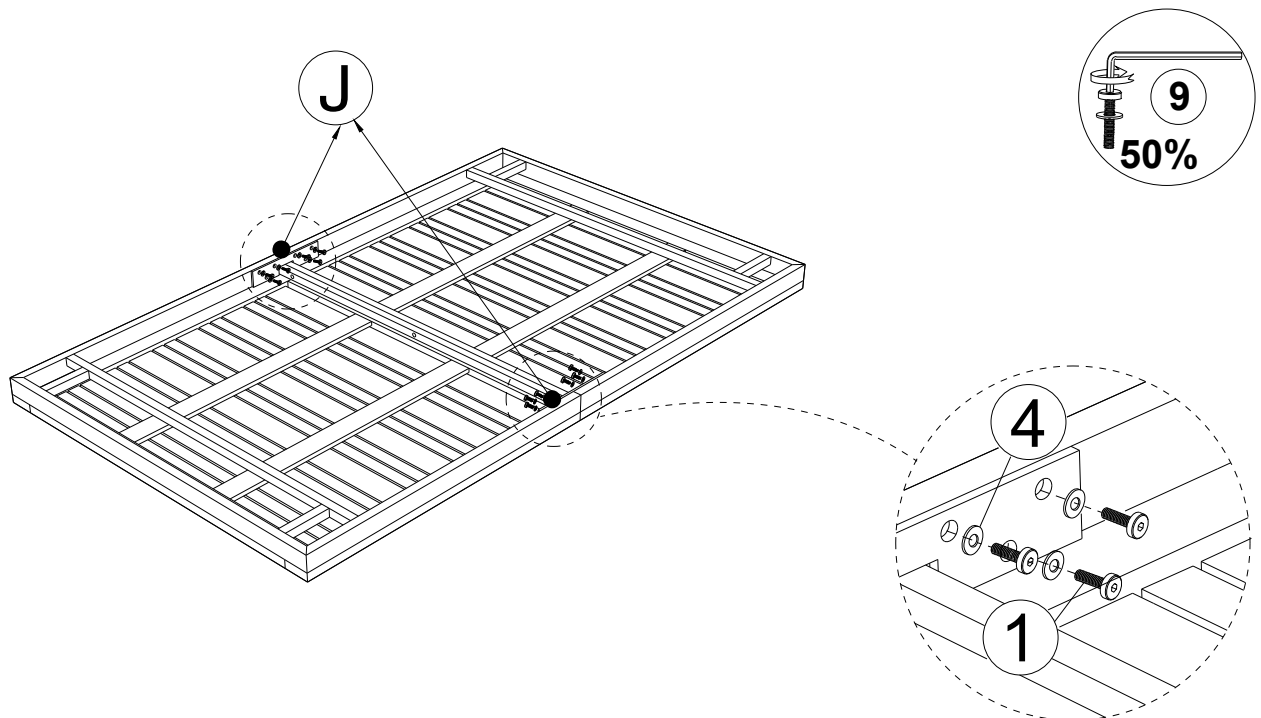
- A x1**
- B x1**
- ③ x3**
- ④ x6**
- ⑦ x3**



Connect Top Right Table (A) & Top Left Table (B), tighten Bolt (3) & flat washer (4), Nut (7), Key (6) with Allen Key (9).

STEP 2

- J x 2**
- ① x12**
- ④ x12**



Connect the Part from Step 1 & Flat Connector (J), tighten Bolt (1) & flat washer (4) with Allen Key (9).

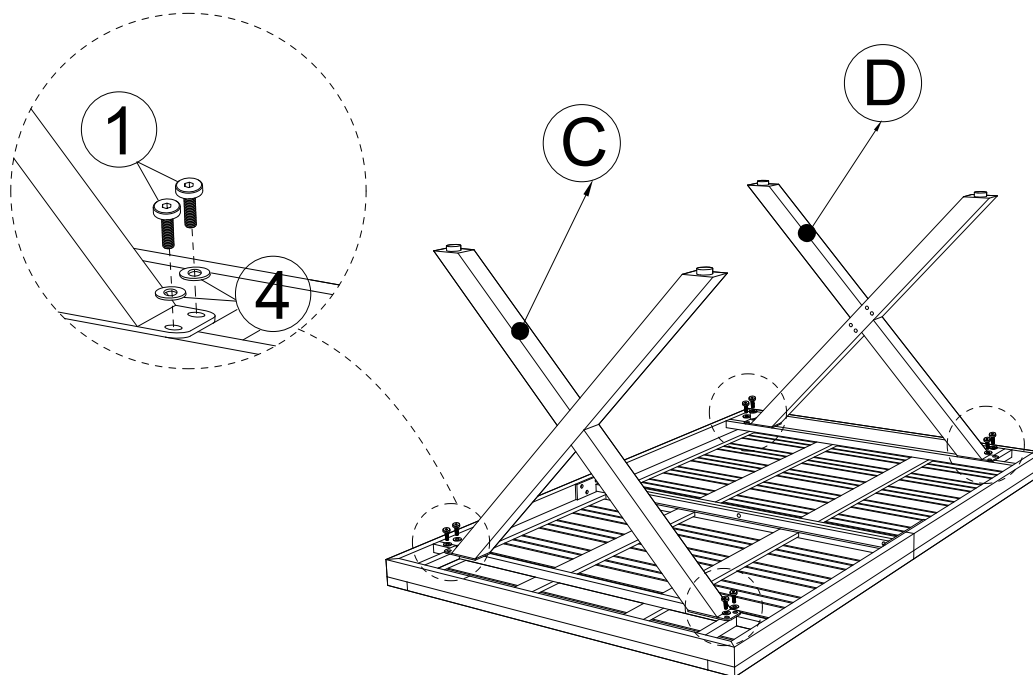
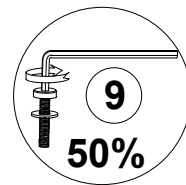
STEP 3

C x1

D x1

① x8

④ x8



Connect the Part from Step 2 & the Leg Table (C),(D) tighten Bolt (1) & flat Washer (4) & Allen Key (9).

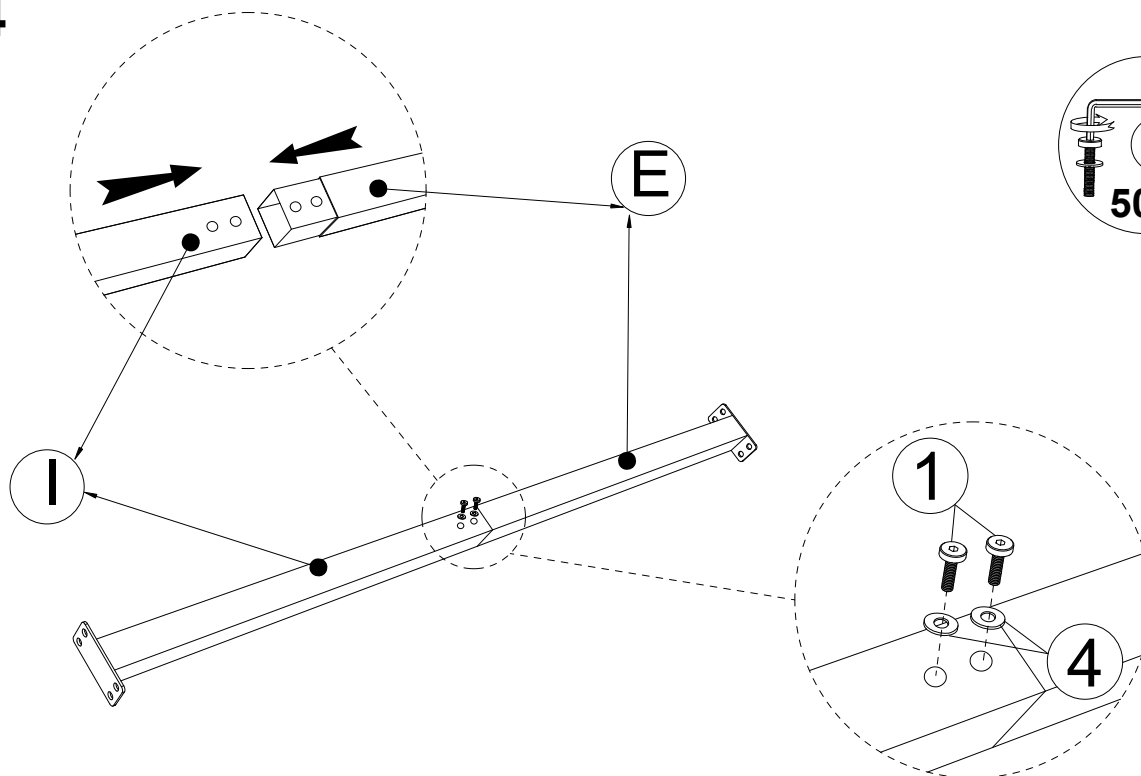
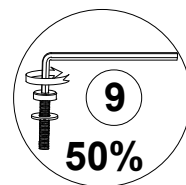
STEP 4

E x1

I x1

① x2

④ x2

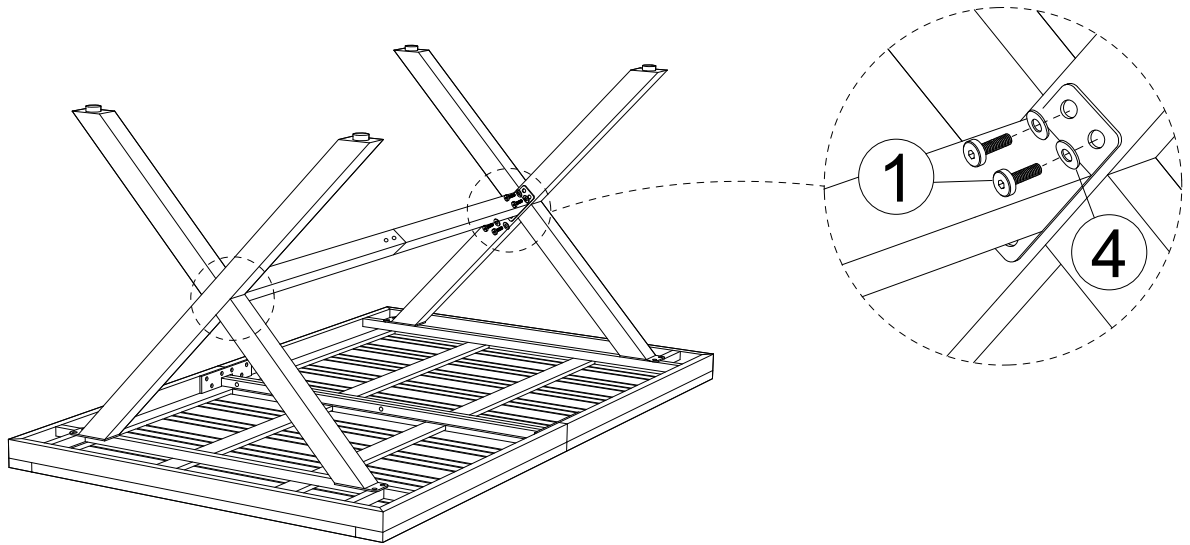
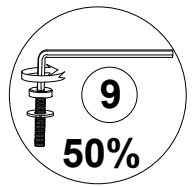


Connect the Half Bar 1 (E) & the Half Bar 2 (I), tighten Bolt (1) & flat Washer (4) & Allen Key (9).

STEP 5

① x8

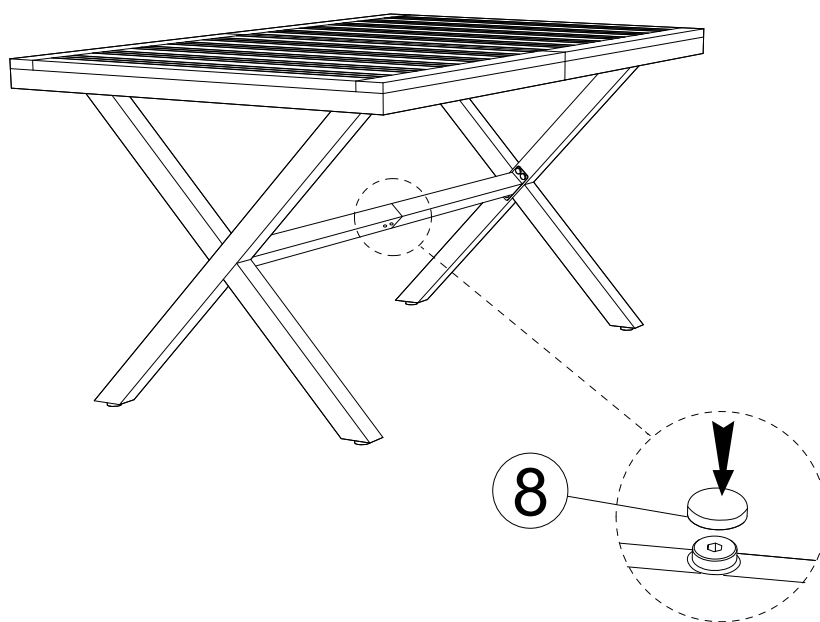
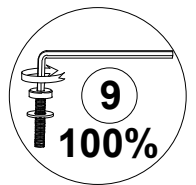
④ x8



Connect The part from Step 3 & The part from Step 4, tighten Bolt (1) & Flat Washer (4) with Allen Key (9).

STEP 6

⑧ x2



Put the Table upright, firmly tighten Bolts with Allen Key (9), push Plastic Cover (8)

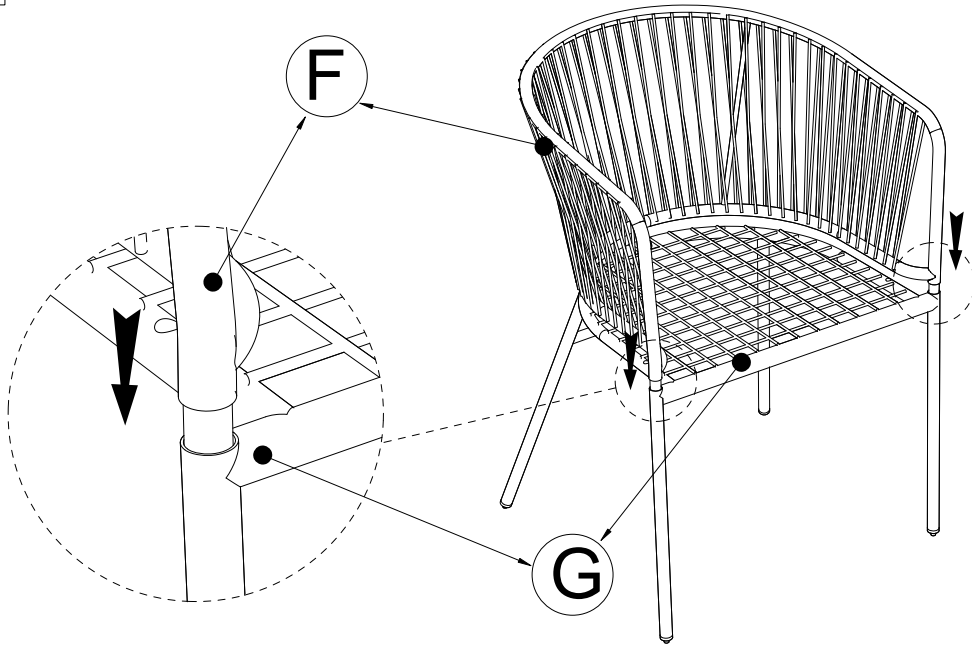
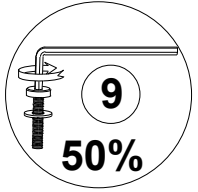
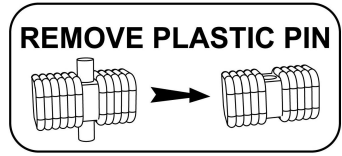


Finish Table.

STEP 7

Notice: Remove all the plastic pin in seat chair frame (G) before assembly.

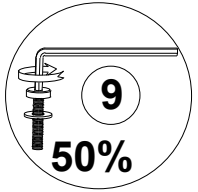
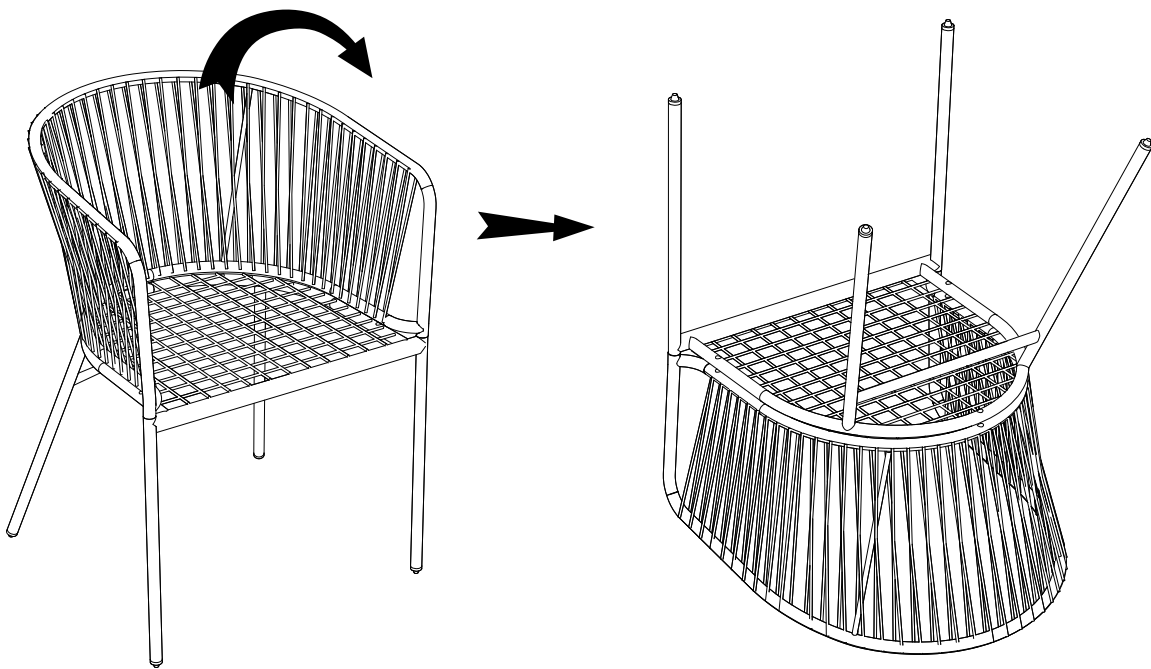
- F x1
- G x1



x6

Put & push the Seat Chair Frame (G) into The Back Chair Frame (F) at the joints by Hands .

STEP 8



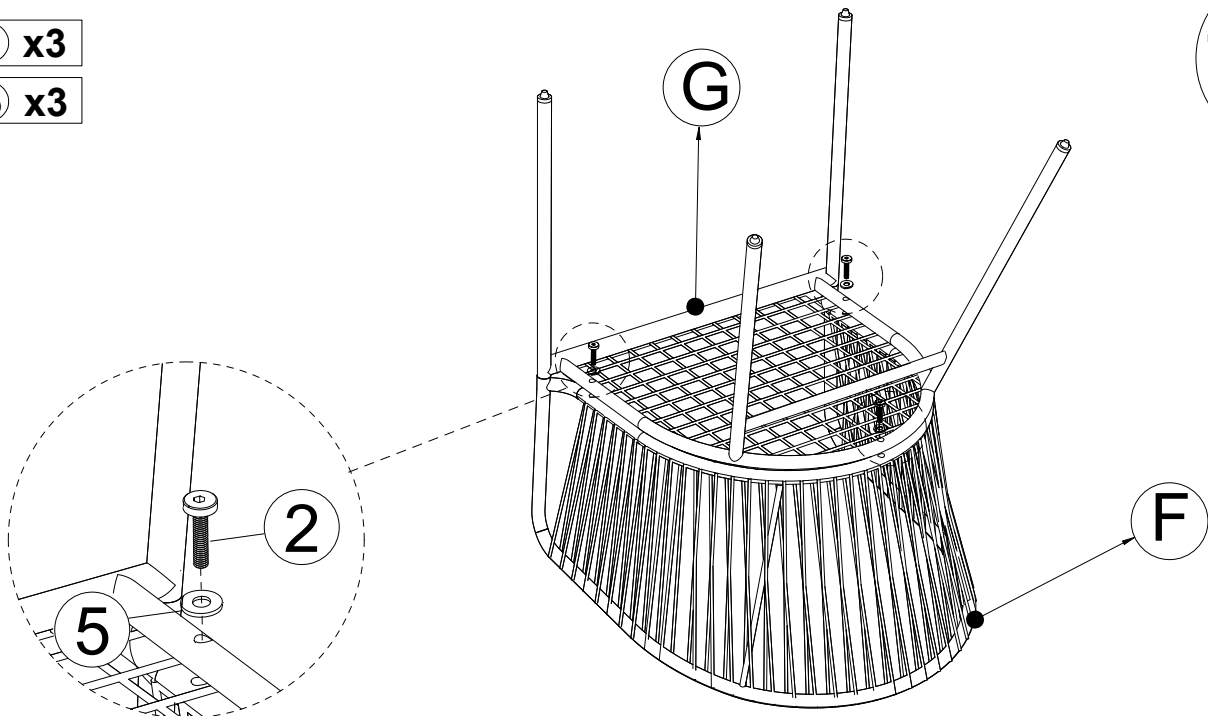
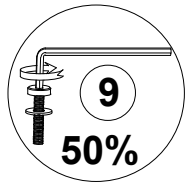
x6

Keep the part from step 7 fixed & turning all the chair upside down

STEP 9

② x3

⑤ x3



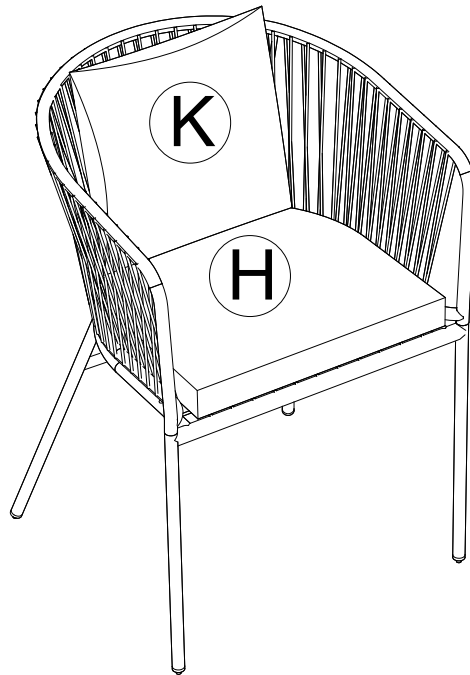
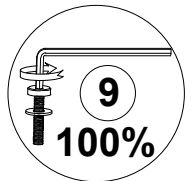
x6

Connect the Seat Chair Frame (G) & The Back Chair Frame (F), tighten Bolt (2) & Flat Plastic Washer (5) & Allen Key (9).

STEP 10

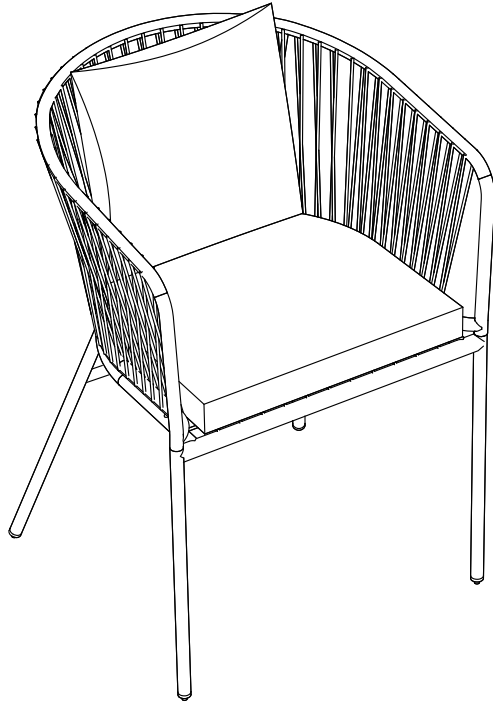
H x1

K x1



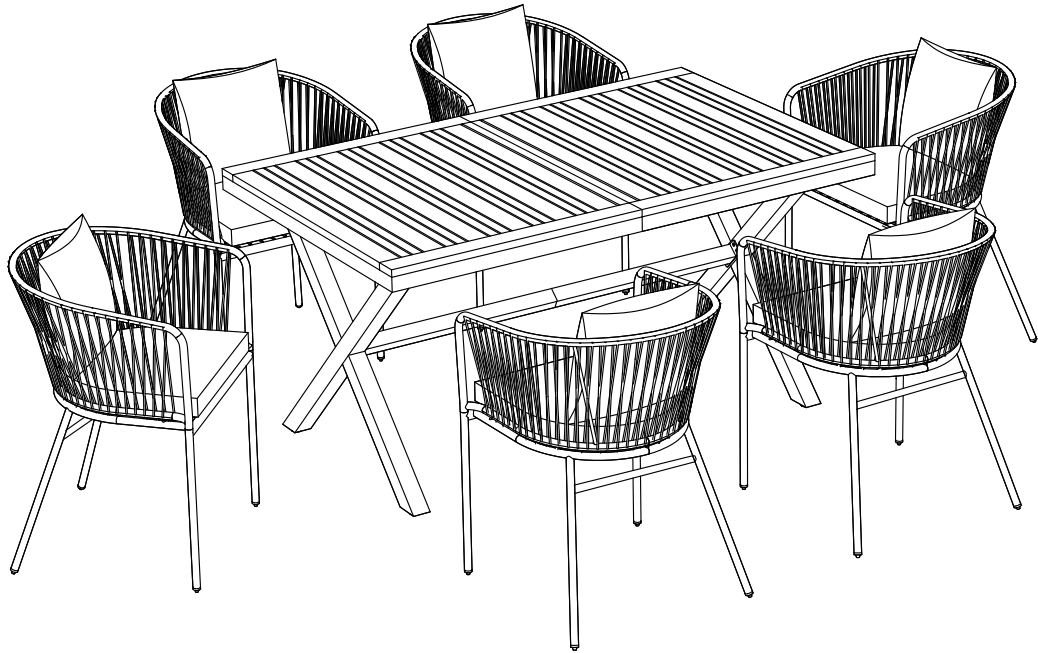
x6

Put chair upright, firmly tighten Bolts with Allen Key (9), Set up the Seat Cushion (H), Back Cushion (K) to finish Chair.



x6

Finish Chair.



Finish.

INSTRUCTIONS FOR USE:

1. Never force the connections. Re-tighten the screws after few days.
2. Keep the Instructions AI leaflet, it contains information when claiming for missing parts.
3. Ensure to not exceed the maximum loading weight for a safe usage. Avoid jumping on or applying excessive pressure to the product to prevent structural damage.
4. Do not move loaded furniture.
5. Wood is a natural material, each piece of wood is unique. It is therefore normal that its appearance shows variations in colour and appearance.
6. Exposed to the sun, the wood will naturally turn gray over time and, in the more or less long term, depending on the exposure conditions, present micro-cracks which will not jeopardize the solidity of the product.

STORAGE AND CLEANING:

1. Outdoor furniture can be cleaned with soap and water. Rinse the furniture with clean water.
2. Always store the dry and clean product at room temperature. If the product becomes wet, allow it to dry thoroughly in a dry, well-ventilated area before using it again.
3. Do not cover hermetically the product, this way locks the humidity and can cause stains and wood deformation.
4. For any specific maintenance or renovation product, check the compatibility of the products you apply with the support to be maintained.
5. Refer to the instructions for use of the maintenance product.
6. Use a furniture cover whenever possible to protect it from the elements and dirt.
7. Clean fabric outdoor furniture using washine machine with gentle cycle.
8. To avoid shrinkage, stretch back over the frame before the fabric is completely dry.
9. If the steel isn't stainless, wipe it carefully to avoid rust.
10. Keep away from open flames or hot objects to avoid fire hazards.
11. Keep children and pets away from sharp parts of the product to prevent potential injuries.