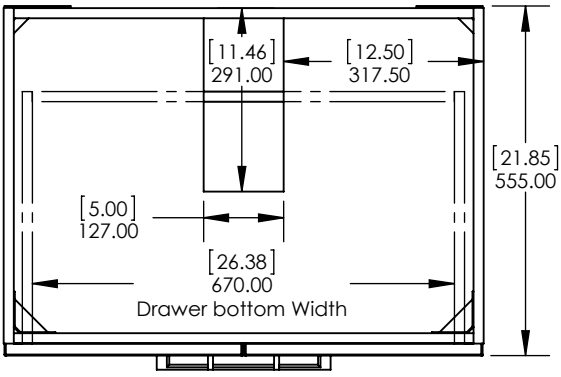
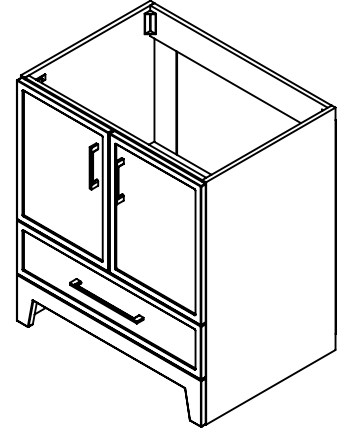


6	5	4
ITEM ID	DESCRIPTION	
W055430P1	Style Selections 30in Vty	

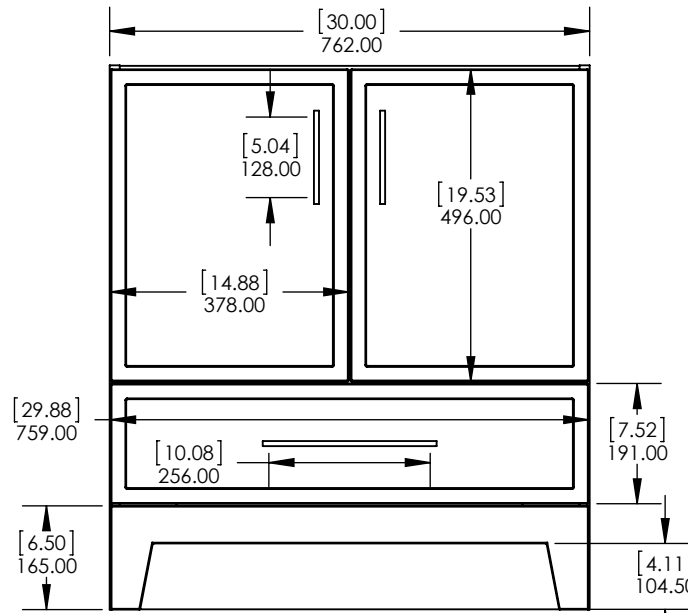
3	2	1			
REV	ECO#	DESCRIPTION	REV'D BY DATE	CHK'D BY DATE	APRV'D BY DATE
0		RELEASED			



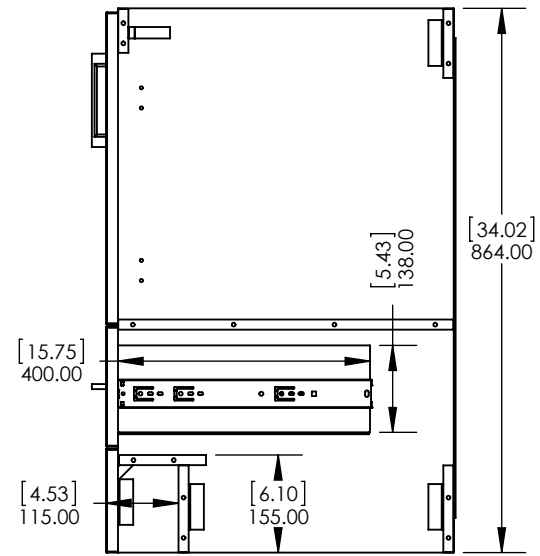
Top View / Vista Superior



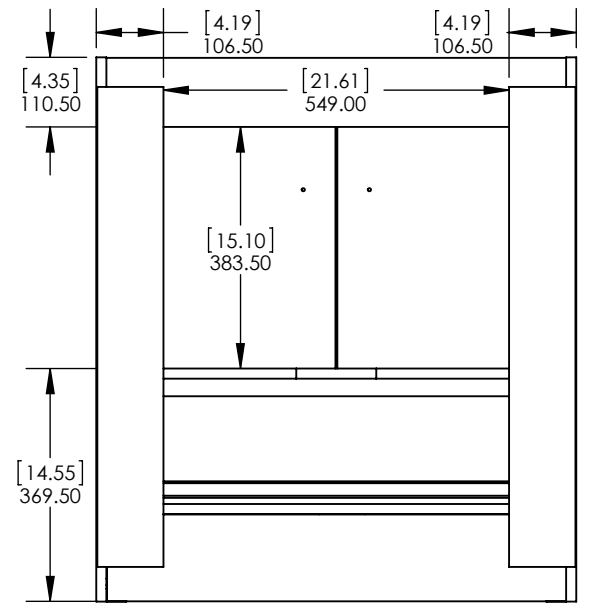
Isometric View / Vista Isometrica



Front View / Vista Frontal



Side View / Vista Lateral



Back View / Vista Trasera



<b>PROPRIETARY AND CONFIDENTIAL</b> THE INFORMATION CONTAINED IN THIS DRAWING IS THE SOLE PROPERTY OF WOODCRAFTERS HOME PRODUCTS L.L.C. ANY REPRODUCTION IN PART OR AS A WHOLE, WITHOUT THE WRITTEN PERMISSION OF WOODCRAFTERS HOME PRODUCTS L.L.C. IS PROHIBITED.		GEOMETRIC TOLERANCES PER: ASME-Y14.5-94	Drawn By / Dibujado por:	Material:
Lineal ±0.5mm	Angular ±0.5°	Checked By / Revisado Por:	Approved By / Revisado Por:	TITLE Título: W055430P1
# of Drawing / de Dibujo:			PAGE 1 OF 5	REV: 1