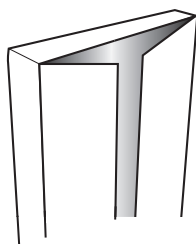


Surface Mount

# Premium Double Security Screen Door Installation Instructions

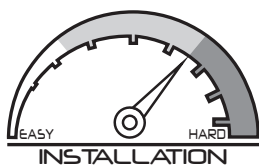


- Read completely through the installation instructions before proceeding with installation
- Installation requires two people
- Use appropriate protective equipment, including safety glasses
- Children should not be allowed in work area
- Failure to install door correctly could result in injury



## RETAIN PACKAGING DURING INSTALLATION

Do NOT discard packaging materials until installation is complete



## PROFESSIONAL INSTALLATION RECOMMENDED

Above average degree of difficulty. Requires installation experience.



[helpmeinstallit.com](http://helpmeinstallit.com)

## NEED HELP?

### REVIEW INSTALLATION VIDEO

Even professional installers will benefit from watching.



**1-866-317-8867**  
[support@uhdco.com](mailto:support@uhdco.com)

## CONTACT US BEFORE RETURNING

Customer service and technical support are available.  
Monday - Friday

## RECOMMENDED TOOLS



Safety Glasses



Measuring Tape



Box Cutter



Drill Bit  
1/8", 5/32", 3/16"  
minimum length: 4"



Drill



Needle Nose  
Pliers



Square



Phillips-head & Flat-blade  
screwdriver



Tin Snips



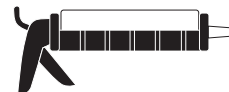
Pencil



Hammer



Wood Blocks (2"x4"x6")  
Shims



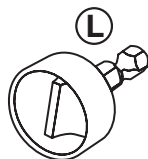
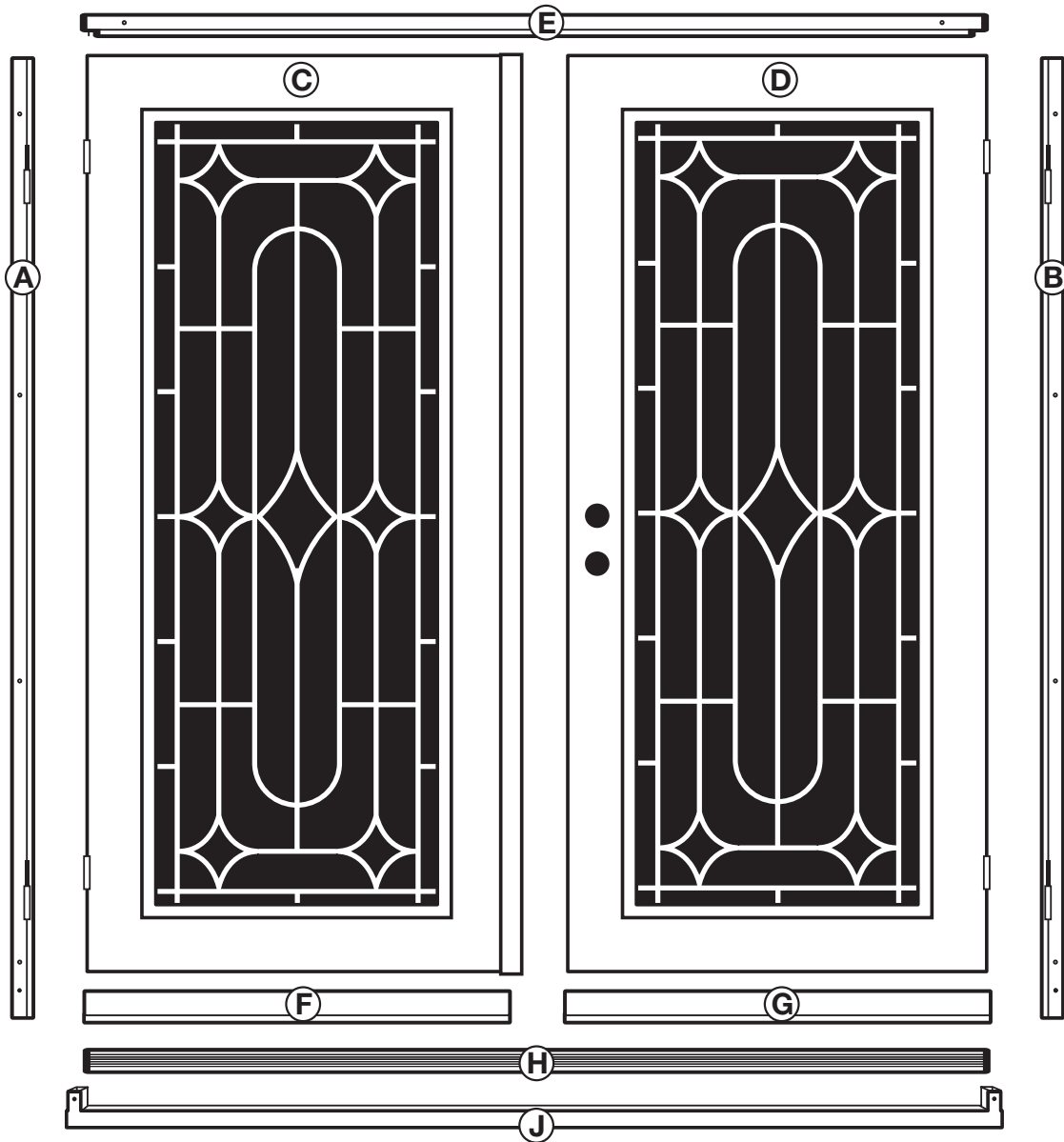
Paintable Caulk &  
Caulk Gun

## DOOR PARTS

- A) Hinge-side jamb - inactive
- B) Hinge-side jamb - active
- C) Door slab - inactive
- D) Door slab - active
- E) Top header jamb
- F) Multi-blade bug sweep - inactive
- G) Multi-blade bug sweep - active
- H) Threshold plate
- J) Bottom bar
- K) Touch-up paint
- L) One-way driver tool

## HARDWARE & FASTENERS

- M) 4" one-way screws (12)
- N) #10 x 3-1/2" drywall screws (6)
- O) #8 black screws (16)
- P) 6" x 36" cardboard template (2)
- Q) Top header jamb caps (2)



# 1 Determine the build out area

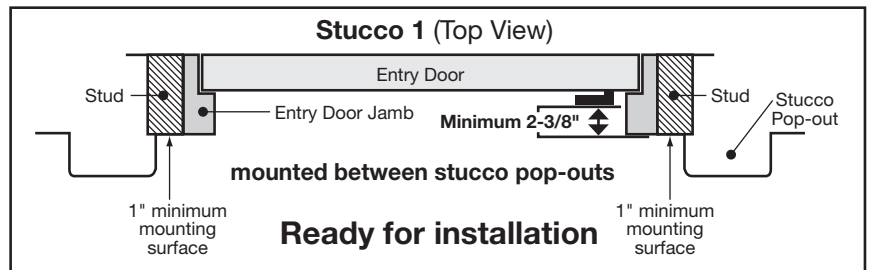
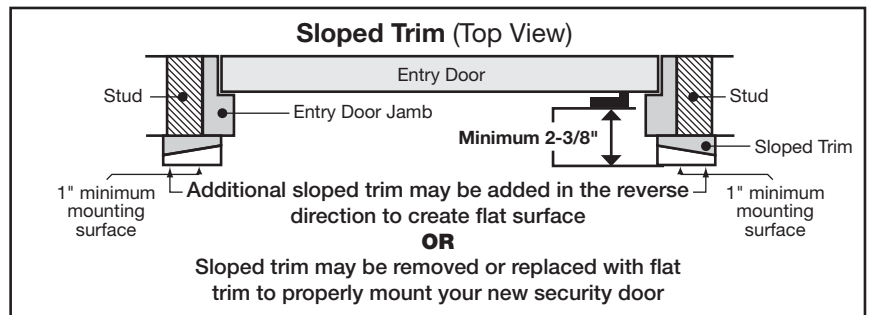
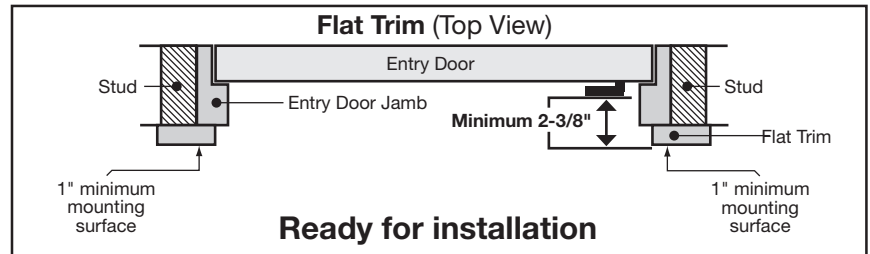
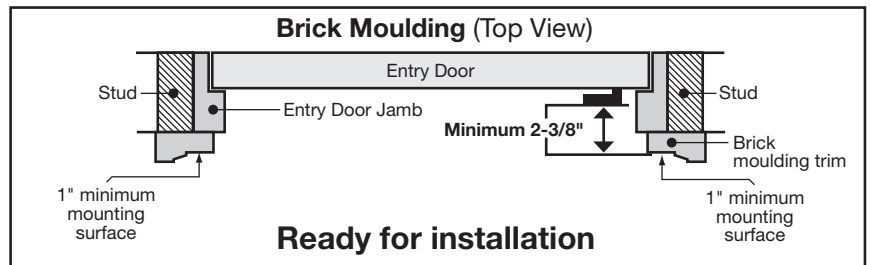
## Inspect Your Entryway for Obstructions

Check for any obstructions above and around your entryway that may prevent the outward swing of your new security door, and/or its installation, such as:

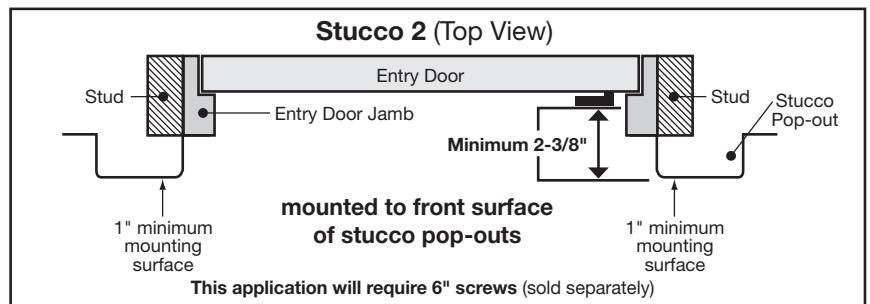
- Light fixtures
- Low overhang
- Door bell
- Trees, bushes, or hanging plants

## Determine Type and Readiness of Mounting Surface

Your security door will require a minimum mounting surface of 1" on the trim above, and on both sides of your entry door. Mounting screws must be secured to a stud in the wall. Review diagrams at right and determine which one most resembles the trim around the entry door to which you will mount your security door.

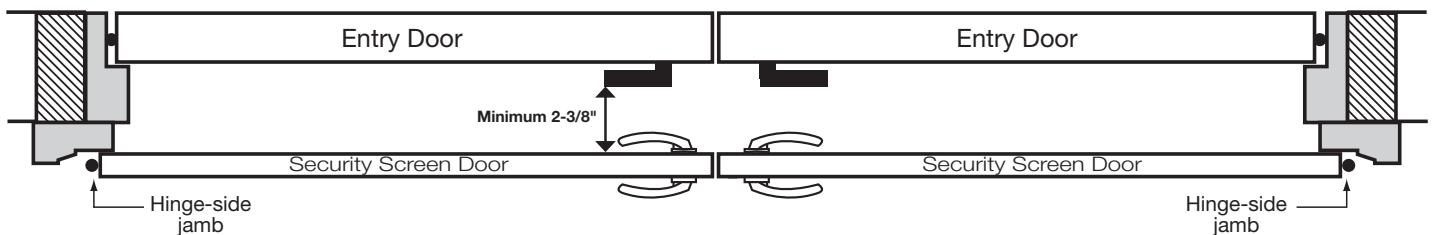


**CAUTION: Check closely for possible hardware interference!**



## Check for Hardware Interference

Measure the depth from the corner of your mounting surface to your existing entry door hardware. If this measurement is 2-3/8" or greater there is no potential for hardware interference. If the measurement is less than 2-3/8", measure from the edge of the mounting surface on top of the door to the top and bottom edge of the part of your existing hardware that intrudes into the 2-3/8" clearance. If either of these two measurements falls between 39-1/4" and 43-1/4", the security door and existing door hardware will interfere with each other. You can either build your mounting surface out to create the clearance required or mount your security door with an opposite swing to your main entry door. If there is less than 2-3/8" clearance between the surface of the main entry door and the security door mounting surface, a build out is required.



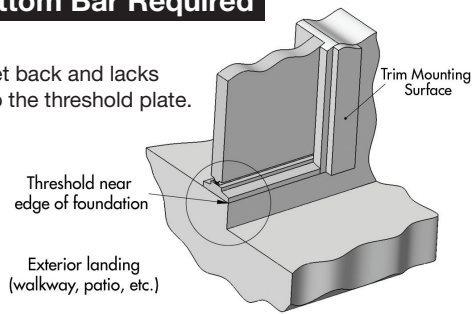
## 2 Determine the threshold configuration

Look at your existing entry door threshold and use the diagrams below to determine which threshold configuration best applies to your entryway. This will determine whether a bottom bar is or is not required for your security door.

### Bottom Bar Required



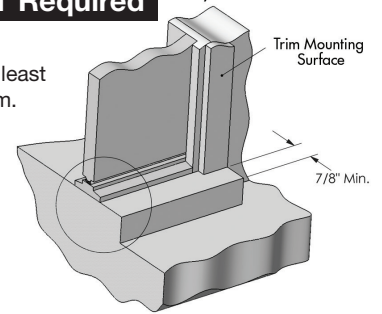
The concrete is set back and lacks space to mount to the threshold plate.



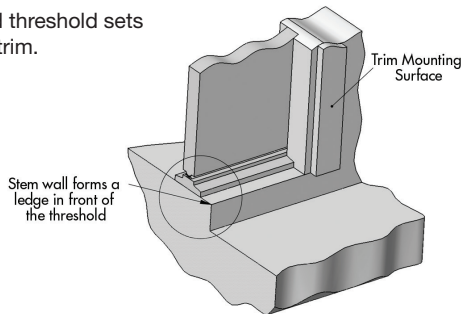
### Bottom Bar NOT Required



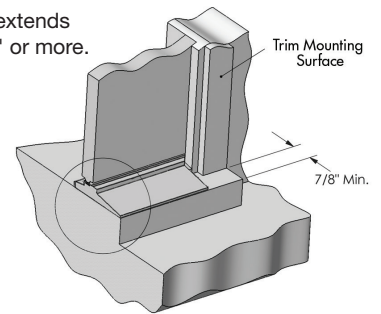
The concrete extends at least 7/8" further than your trim.



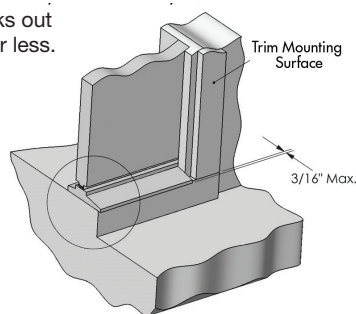
The concrete and threshold sets back behind the trim.



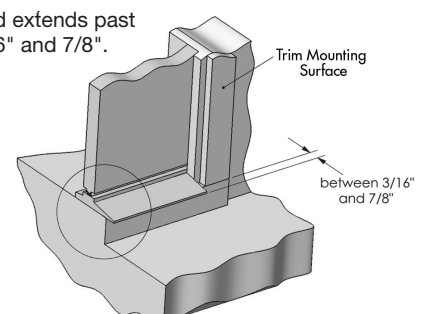
The existing threshold extends beyond the trim by 7/8" or more.



The existing threshold sticks out beyond the trim by 3/16" or less.



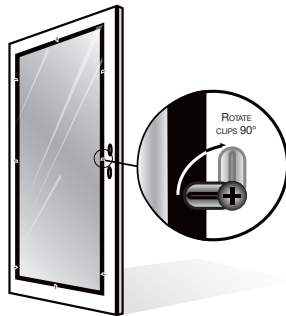
The existing threshold extends past the trim between 3/16" and 7/8".



## 3 Prepare the security door

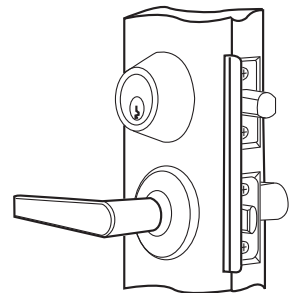
### Glass Removal

If your door includes glass, remove it before you start the installation procedure. Loosen (do not remove) each screw. Carefully hold the glass panel in place and rotate each clip 90°. Carefully remove the glass panel and store it in a safe place during installation.

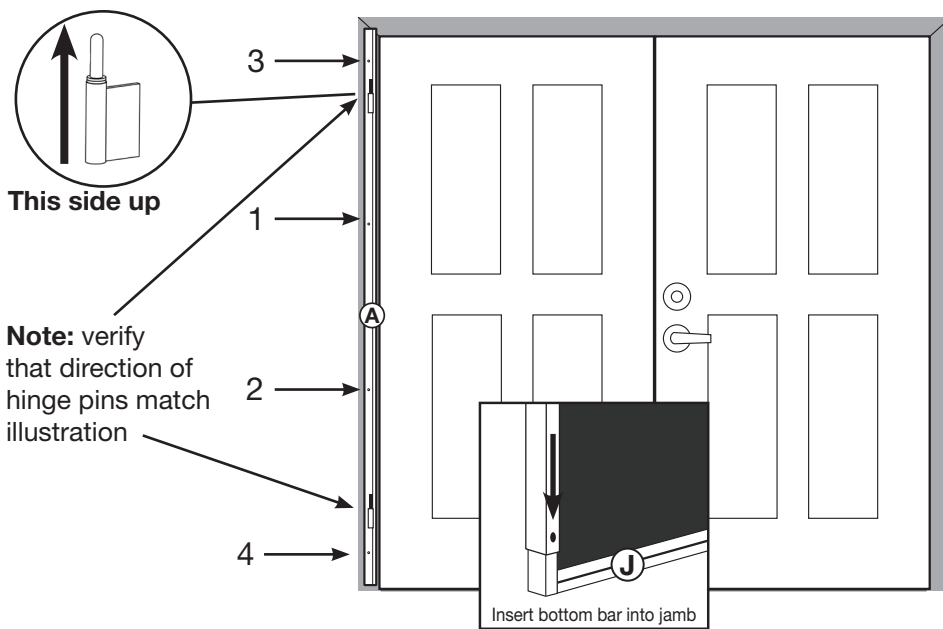


### Handleset Attachment

Following the manufacturer's instructions, install your choice of 2-3/8" backset handle and lock set (Sold separately). Fully extend the lock bolts into the "locked" position on the security door.



## 4 Install the inactive side-jamb



Position hinge-side jamb assembly (A) on the inactive-side of the double doors. Allow for a 1/8" gap between the hinge-side edge of jamb and inside-edge of your mounting surface.

**Note:** There should be a minimum of 2-3/4" space below the hinge side jamb and below the entire width of the door to allow space for the bottom bar (attached in **Step 10**). It is okay to move the doors up within the doorway to ensure this space, as long as the top of the jambs do not go beyond the top edge of your trim framing. If a 2- 3/4" space exists across the entire doorway, skip to **step 5**. Otherwise, position bottom bar assembly (J) on the ground in front of the doorway with the legs pointing up. Position the hinge-side jamb assembly (A) on the inactive side of the double doors sliding the jamb over the bottom bar leg to correctly position the jamb. This alignment will be repeated for the active side jamb.

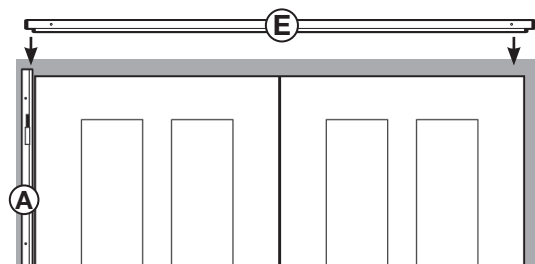
**Important:** All jambs must be positioned to allow secure mounting to your trim framing around the opening.

Make certain the jamb assembly is plumb, and mark the location of the mounting holes with a pencil. Set the jamb aside and, where marked, pre-drill 3/16" holes.

### Support inactive jamb with temporary screws:

Drive two of the #10 3-1/2" drywall screws (N) supplied into the middle holes (1 & 2 in the diagram on left) for the inactive-side jamb (A). These screws are inserted only to hold the security door frame plumb and will be removed and replaced in **step 9**.

## 5 Install the top header jamb

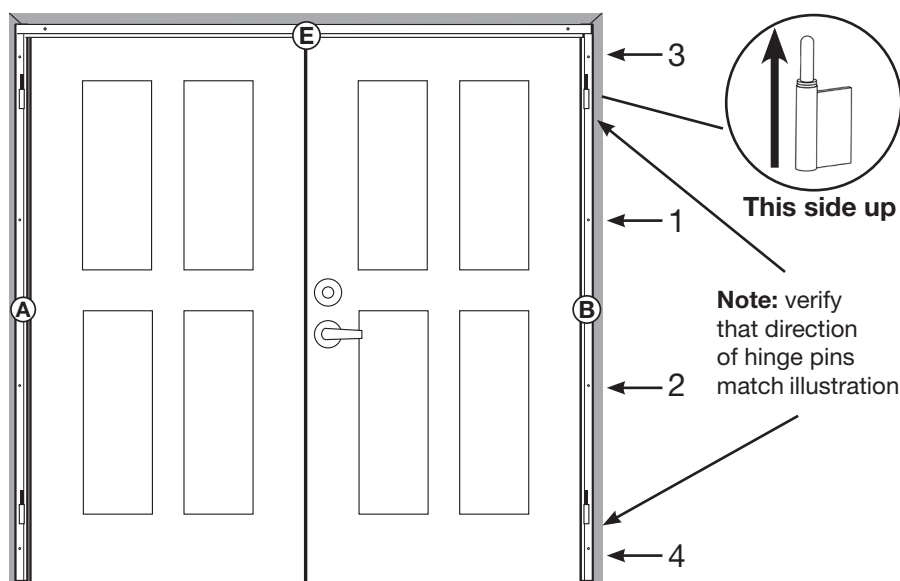


Place the top head jamb (E) above the side jamb (A). Take care to make sure that a minimum of 1/8" reveal is consistent on side jamb (A) as well as on the top head jamb (E). Spacing should be equal, from left to right, and above the door. Mark the location of the mounting holes. Set the top head jamb (E) aside and, where marked, pre-drill 3/16" holes 4" inches deep. Return top head jamb to position and fasten to mounting surface using the provided one-way screws (M) and the supplied one-way driver tool (L).

**Optional:** Caps are included to help fully seal the top header jamb. Insert the caps into the top header jamb.

**Note:** Caps may be snug. Place a wood block over each end cap and gently tap in with a hammer.

## 6 Install the active side-jamb



Position active-side jamb assembly (B) on the active side of the double doors. Allow for a 1/8" gap between the hinge-side edge of jamb and inside-edge of your mounting surface.

**Note:** If the bottom bar has been placed under the door, slide the jamb over the bottom bar leg refer to **step 4**.

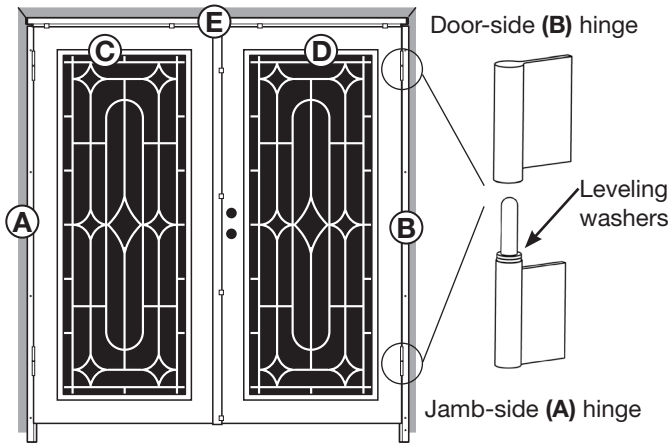
**Important:** All jambs must be positioned to allow secure mounting to your trim framing around the opening.

Make certain the jamb assembly is plumb, and mark the location of the mounting holes with a pencil. Set the jamb aside and, where marked, pre-drill 3/16" holes.

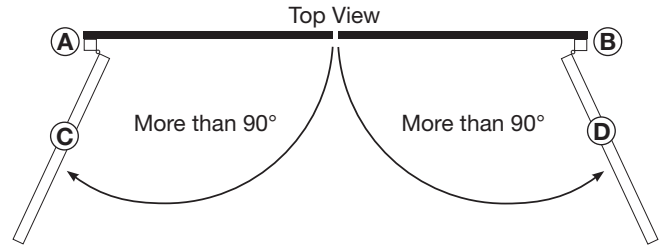
### Support active jamb with temporary screws:

Drive two of the #10 3-1/2" dry wall screws (N) supplied into the middle holes (1 & 2 in the diagram on right) for the active-side jamb (B). These screws are inserted only to hold the security door frame plumb and will be removed and replaced in **step 9**.

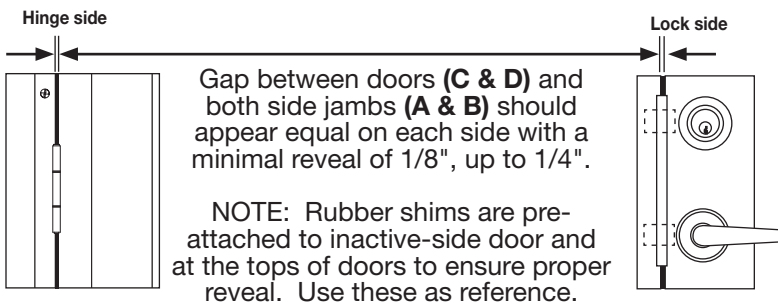
## 7 Hang the doors to test fit



Hang the security doors (C & D) on the jamb hinges (A & B), holding the doors open at more than a 90° angle (see diagram at right), starting with the bottom pin first.

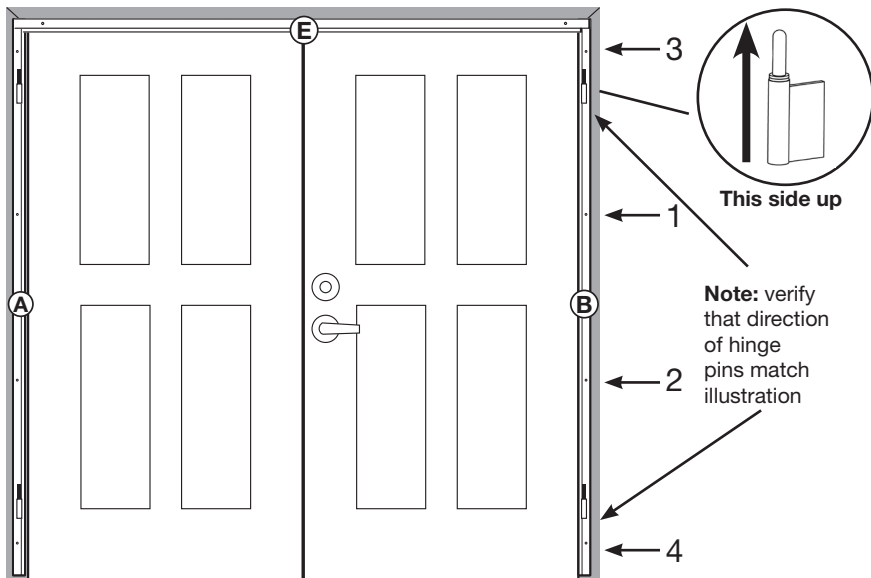


## 8 Align the lock



Test the alignment of the lock bolts with the lock holes by closing both door panels and extending the bolts. Note: the bolt should slide easily in and out of the hole and be somewhat centered. If the bolts do not align properly with the holes, measure the distance, up or down, of the misalignment. Retract the bolts and remove the lock side door panel from the hinges. Set aside. Remove temporary screws (N) from the active side jamb, adjust the height as measured, and reinstall jamb with temporary screws. Hang the door back on the hinges and retest lock fit. If necessary, repeat until properly aligned.

## 9 Secure the jambs



### Secure Inactive-side Jamb with One-way Screws:

Drill two 5/32" diameter holes 3" deep into the entryway trim mounting surface through holes 3 & 4 in the inactive-side jamb (A). Drive the one-way screws (M) through holes 3 & 4 into the entryway trim mounting surface using your drill and the supplied one-way driver tool (L).

Remove the two #10 3-1/2" dry wall screws (N) installed in the inactive side jamb (1 & 2 in the diagram) and drill two 3/16" diameter holes 3" deep into the entryway trim mounting surface through holes 1 & 2. Drive two one-way screws (M) into holes 1 & 2 using your drill and the supplied one-way driver tool (L). Use a level at the top and bottom of the jamb (A) to make sure the jamb is level.

### Secure active-side jamb with one-way screws:

Drill two 5/32" diameter holes 3" deep into the entryway trim mounting surface through holes 3 & 4 in the active-side jamb. Drive the one-way screws (M) through holes 3 & 4 into the entryway trim mounting surface using your drill and the supplied one-way driver tool (L).

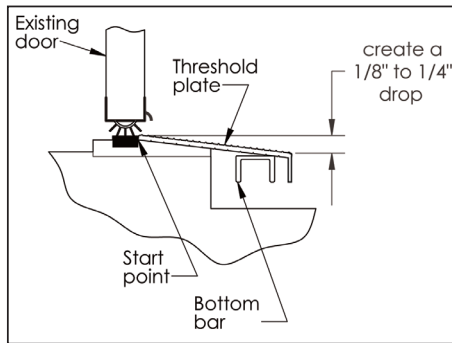
Remove the two #10 3-1/2" dry wall screws (N) installed in the active-side jamb (1 & 2 in the diagram) and drill two 3/16" diameter holes 3" deep into the entryway trim mounting surface through holes 1 & 2. Drive two one-way screws (M) into holes 1 & 2 using your drill and the supplied one-way driver tool (L). Use a level at the top and bottom of the jamb (B) to make sure the jamb is level.

## 10 Install the bottom bar

**Note:** If you will **NOT** be installing the bottom bar, discard the bottom bar and skip to **step 11**. This step is easier if both door panels are removed from the hinges.

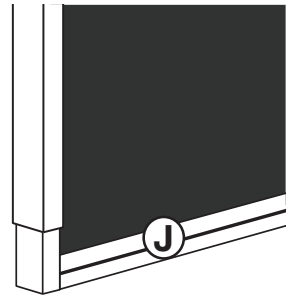
### Bottom Bar Placement

The bottom bar (**J**) will need to be installed 1/8" to 1/4" lower than the existing doorway so that there is slope to the threshold. This allows any moisture to drain away from the door.



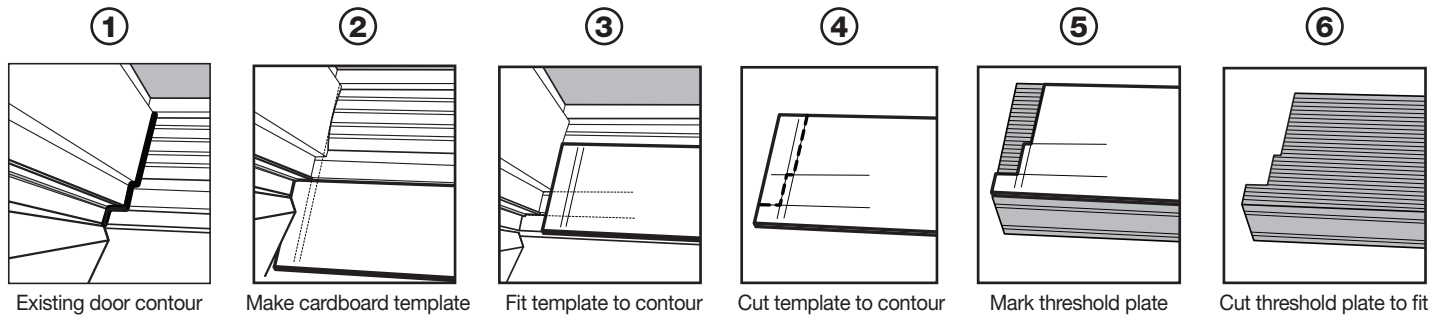
### Bottom Bar Installation

Insert bottom bar into the left and right door jambs. Adjust the bottom bar (**J**) to the correct height. Using the predrilled holes in the center of each jamb (approximately 5/16" up from the bottom), install the bottom bar (**J**) using four #8 self-tapping screws (**O**). Keep the drill on a low speed so the threads don't strip out.

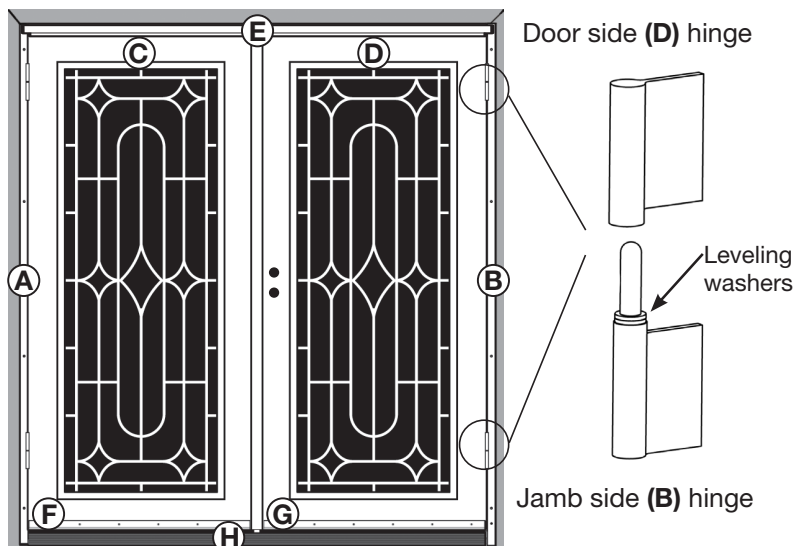


## 11 Install the threshold plate

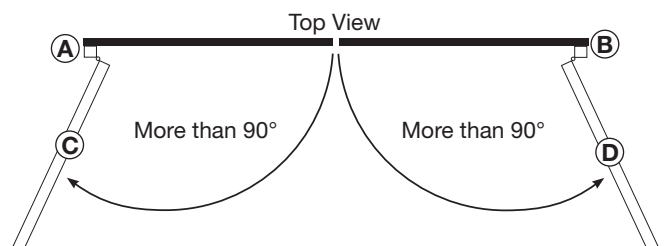
1. The contour of door framing varies, making it necessary to cut the threshold plate (**H**) to fit. We recommend cutting a cardboard template to fit the opening first, to avoid cutting the threshold plate incorrectly.
2. Lay provided cardboard template (**P**) on top of the bottom bar and push into existing threshold, as far as it will go. Using a straight edge, mark the template at the various widths of your existing moulding and trim at both ends.
3. Move template so that front edge is flush to the front edge of bottom bar (it is okay to bend template to allow to fit the shortest width between your moulding and trim). Mark at the various corners of your existing moulding and trim.
4. Using a box knife, cut template to shape of moulding and trim revealed by the markings. Test fit the template. (It should lay across the bottom bar, with the front edge flush to the front edge of the bottom bar, and fit in and around the corners of the existing moulding and trim.)
5. Once you have created a good template, use the template to mark the threshold plate.
6. Using tin snips/aviator snips, cut threshold plate to match the shape of the template (**6**). Position threshold plate to extend across the bottom bar and into the existing threshold. Use 1/8" drill bit to pre-drill holes for mounting screws. Attach threshold plate to existing threshold using the provided screws.



## 12 Install the doors



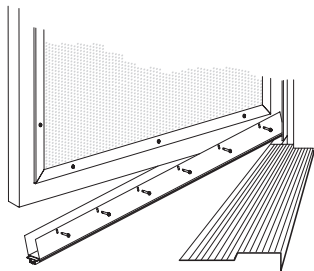
Hang the security doors (**C & D**) on the jamb hinges (**A & B**), holding the door open at more than a 90° angle (see diagram below), starting with the bottom pin first.



## 13 Secure lower shoot bolt

Place a dab of caulk on the tip of the bottom shoot bolt on the inactive panel. Close the inactive door (C) and deploy the bottom shoot bolt so the caulk marks the threshold plate (H). Open the inactive panel (C) and remove the material in the spot marked on the threshold plate (H). Start with a 3/16" drill bit and work up to the 7/16" hole required to receive the bolt. Close the inactive panel (C) and deploy the shoot bolt to confirm proper operation.

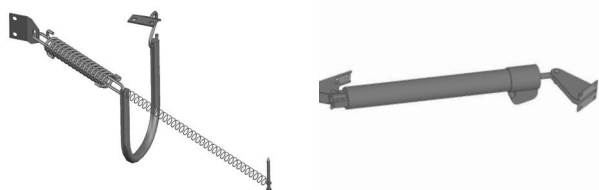
## 14 Install the bug sweeps



Open one side of the door. Hold sweep in place and close the door. Allow the sweep to sit on the threshold plate (H). **Note:** Be sure there is no gap between the sweep and the threshold plate, and that the sweep is centered on the bottom of the door. Use 1/8" drill bit to pre-drill the two outer holes for mounting screws. Attach the sweep to the bottom of the door, by the two outer holes, using the provided #8 black self-tapping screws (O). Test that the door opens and closes freely. If not, loosen the screws and make necessary adjustments. Re-tighten screws and test again. Repeat until successful. Pre-drill remaining hole and install the last #8 black-self tapping screw (O).

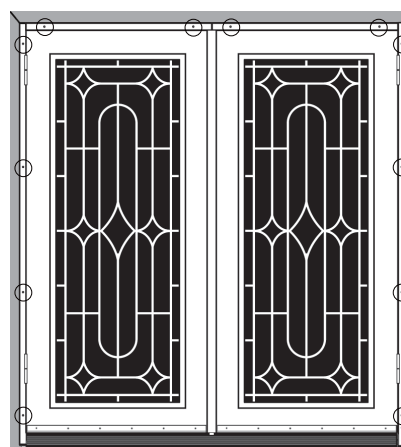
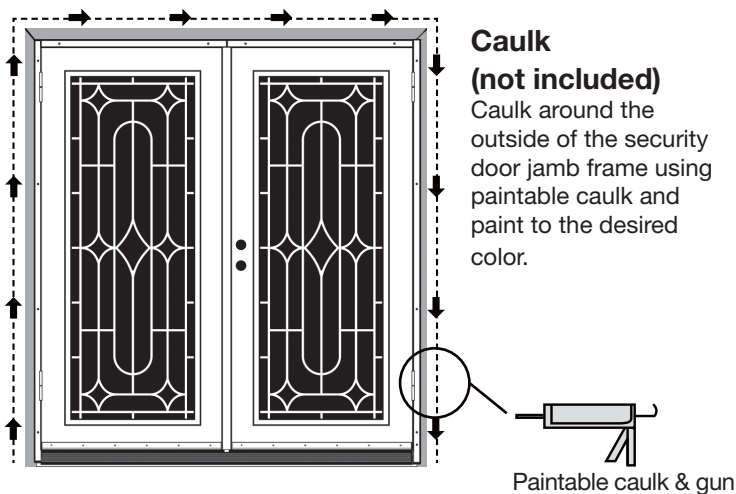
Repeat this step for the other door.

## 15 Install the Door Closer and Wind Chain (optional, purchased separately)



Follow the manufacturer's instructions included with the windchain and door closer to install the windchain and door closer on your new security door. **Note:** It is not required to use a windchain and door closer for your security door.

## 16 Touch up and lubricate



### Touch-Up Paint

Shake the supplied touch-up paint (K) vigorously for 2 minutes and paint the heads of the one-way screws as indicated in the diagram.

### White Grease Lubricant (not included)

Use white grease to lubricate the hinges of your new security door every six months.

## Care and maintenance

Over time, airborne dust, dirt, and impurities can accumulate, which will cause visual defects to the door or window screen and - if so equipped - the Meshtec screen, and - if not regularly and properly removed - can lead to further damage, staining, and corrosion. Your cleaning schedule depends upon your environment:

ENVIRONMENT	DESCRIPTION	CLEANING SCHEDULE
Mild	Inland, rural, and away from urban activity	every 6 months
Moderate	Urban/suburban, inland	every 3 months
Extreme	Urban/suburban, coastal (within 25 miles)	every 2-4 weeks

Thoroughly wash the door frame and Meshtec screen - if so equipped - using a soft cloth, mild soap, and water. Do not use strong solvent or abrasive based cleaners. Take care to avoid exposing handles, hinges, and lock(s) to excessive amounts of water. Using a dry, soft cloth, remove any excess water when done. For products including a Meshtec screen, pay particular attention to drying the screen to frame attachment area fully. Avoid using any sharp objects or abrasive materials on the door frame or screen. Use white grease to lubricate the hinges at each cleaning.



## Warranty

Your Unique Home Designs/Titan security door or window screen is covered by a 10 Year Replacement Warranty. You will receive a new door or window screen at no additional charge if your product shows defects in materials or workmanship within 10 years of the date of manufacture. An additional 5 year warranty protection is awarded (for 15 year total warranty) when the product is registered on-line at [uniquehd.com/registration](http://uniquehd.com/registration). If your home is burglarized and entry was accomplished through a properly installed UHD/Titan security door locked with a double deadbolt, 3-point locking system or single deadbolt on a door equipped with a perforated metal or Meshtec screen or a properly installed and closed window screen, you are covered by the Home Protection Guarantee and will receive a new door or window screen (product only, installation excluded) at no charge or reimbursement of up to \$1,000 of your insurance deductible. Components pre-installed on the security door or window screen (such as locks, handles, rollers, sweeps) are covered for one year from date of purchase. Accessories added to the security door by the purchaser are not covered by this warranty. Failure to follow the installation instructions included with the product voids this warranty. Any problem caused by abuse, misuse, failure to follow the care and maintenance instructions, adjustments due to settling of the structure that the product is mounted on, or acts of God, are also not covered under this warranty. Replacement items may vary in style due to changes in suppliers, products, and colors. UHD/Titan is not responsible for any labor expense required to install the replacement product. UHD/Titan is not responsible for securing the property while warranted items are being repaired or replaced.

To make a claim under this Warranty, send a brief written description of the problem, a picture of the claim, proof of purchase, and your contact information to: Unique Home Designs, Attn.: Warranty Claims, 1811 S. Alma School Rd. Ste 190, Mesa AZ 85210 or can be emailed to [support@uhdco.com](mailto:support@uhdco.com)

'Meshtec' is the registered Trade Mark of Meshtec International Co., Ltd. ('MTC') in the United States and other various worldwide jurisdictions (including registrations pending) and may not be used without the prior written consent of MTC. Genuine Meshtec is registered trademark of Meshtec International Co., Ltd. Patent #'s: 6,802,357 & 8,191,606 Registered Trademarks 4,337,128 ('Meshtec') & 4,337,135 ('Genuine Meshtec Security Mesh').

## Extend Your Warranty!

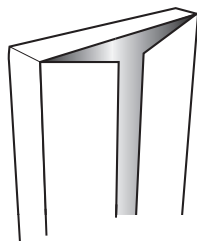
When you register on-line at [uniquehd.com/registration](http://uniquehd.com/registration)

Monte de superficie

# Instalación de puertas doble premium de seguridad

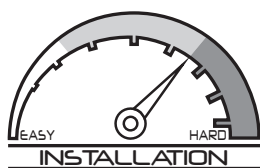


- Lee todas las instrucciones de instalación del kit antes de la instalación
- La instalación requiere de dos personas
- Usa el equipo de protección apropiado, incluyendo gafas de seguridad
- Mantén los niños alejados del área de trabajo
- Instalar incorrectamente la puerta puede causar lesiones



## CONSERVA EL EMPAQUE DURANTE LA INSTALACIÓN

NO deseches los materiales del empaque hasta que la instalación haya terminado.



## SE RECOMIENDA UNA INSTALACIÓN PROFESIONAL

Grado de dificultad por encima del promedio. Requiere experiencia en la instalación.



[helpmeinstallit.com](http://helpmeinstallit.com)

¿NECESITAS AYUDA?

## CONSULTA EL VIDEO DE INSTALACIÓN

Incluso los instaladores profesionales se benefician al verlo.



**1-866-317-8867**  
[support@uhdco.com](mailto:support@uhdco.com)

## CONTÁCTANOS ANTES DE DEVOLVERLO

Servicio al cliente y soporte técnico disponibles.  
Lunes - Viernes

### HERRAMIENTAS RECOMENDADAS



Gafas de seguridad



Cinta de medir



Cortador de cajas



Broca  
1/8", 5/32", 3/16"  
tamaño mínimo: 4"



Taladro



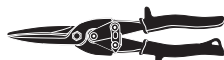
Alicates de punta de aguja



Plaza



Destornillador plano y de cabeza Phillips



Tijeras de hojalatero



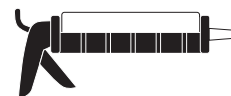
Lápiz



Hammer



Bloques de madera  
(5.1 cm x 10.2 cm x 15.2 cm)  
Cuñas



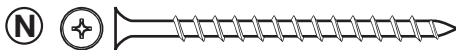
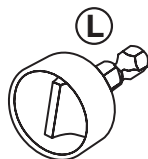
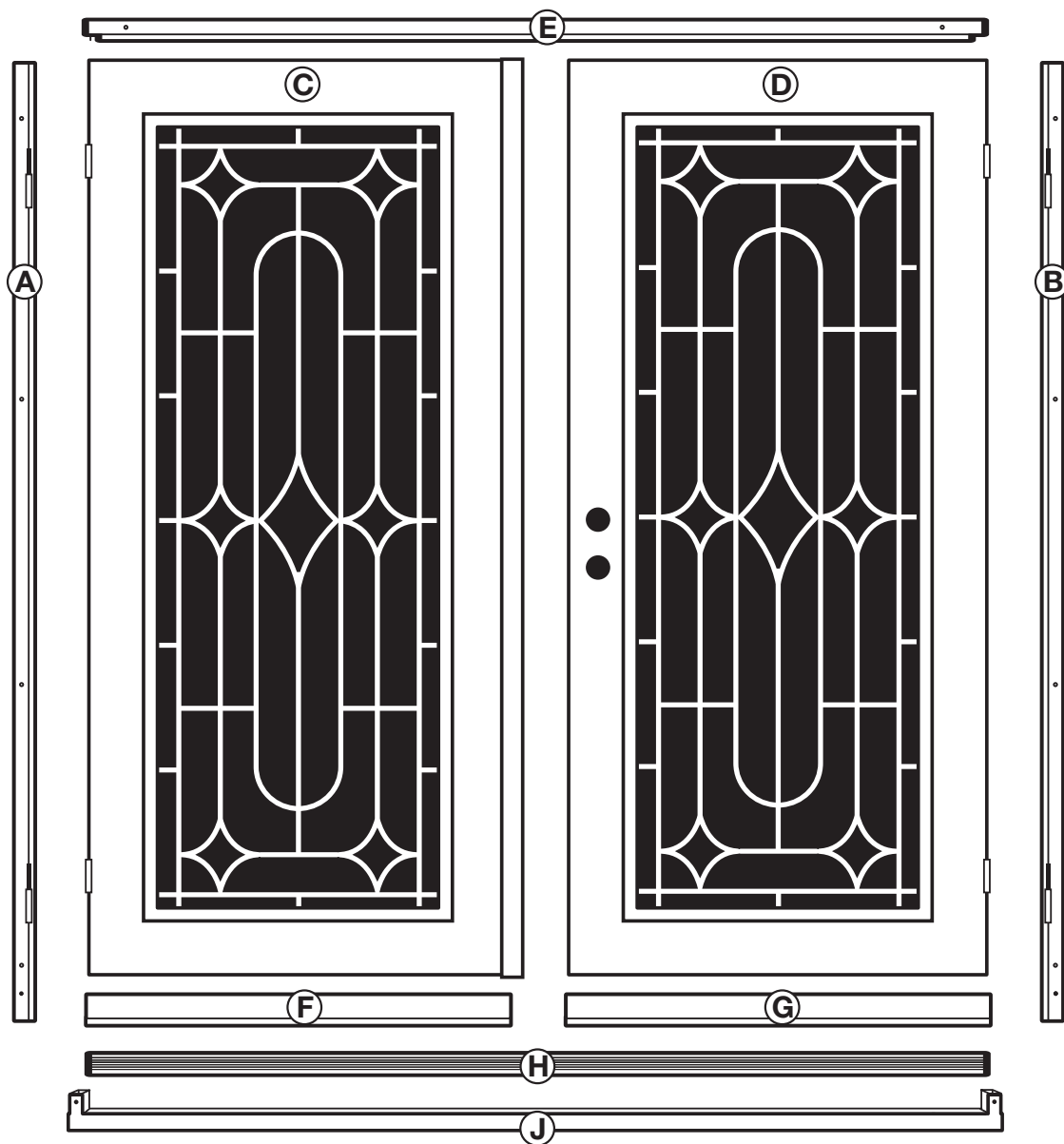
Pistola para pasta selladora y pasta selladora que se puede pintar

## PIEZAS DE LA PUERTA

- A) Ensamblado de la Bisagra de la Jamba inactiva
- B) Ensamblaje de la Bisagra de la Jamba activa
- D) Hoja de la puerta - pasiva
- C) Hoja de la puerta - activa
- E) Jamba del dintel/travesaño
- F) Guardapolvo contra insectos, de aletas múltiples - inactiva
- G) Guardapolvo contra insectos, de aletas múltiples - activa
- H) Placa de umbral
- J) Ensamblado de la barra inferior
- K) Pintura para retoques
- L) Herramienta de destornillador unidireccional

## HERRAJES Y SUJETADORES

- M) Tornillos unidireccionales de 4" (12)
- N) Tornillos núm. 10 para drywall de 3 1/2" (6)
- O) Tornillos autoenroscantes negros núm. 8 (16 pzs.)
- P) Plantillas de cartón para umbral de 6" x 36" (2)
- Q) Cabazal jamba del travesaño superior (2)



# 1 Definir el área de construcción

## Revisar si hay obstáculos en la entrada

Comprueba si arriba o alrededor de la entrada hay obstáculos que puedan impedir la instalación de la nueva puerta de seguridad o su abertura hacia afuera; obstáculos como:

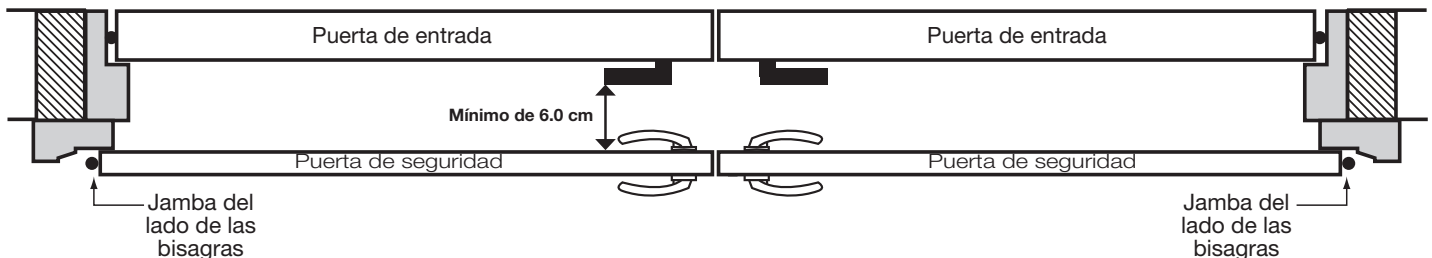
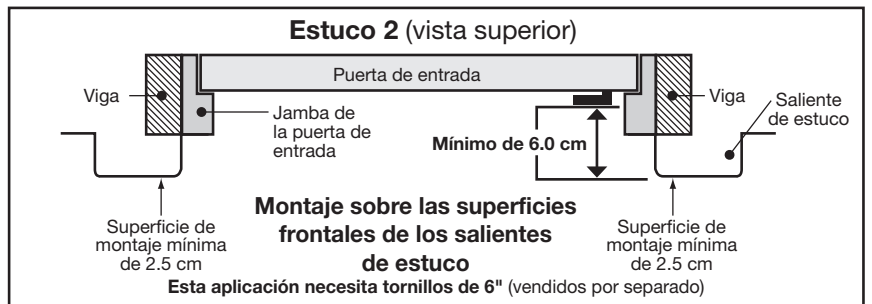
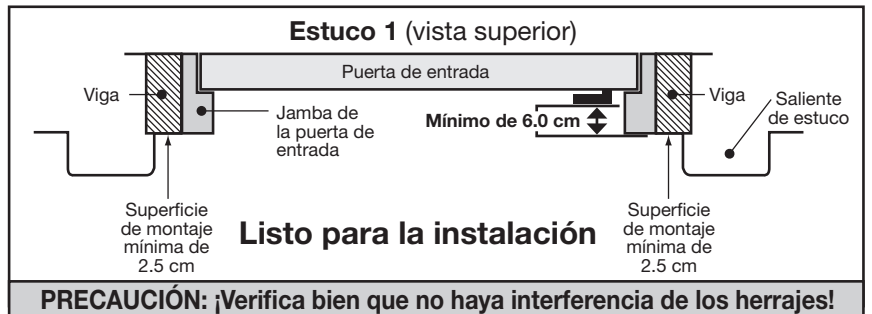
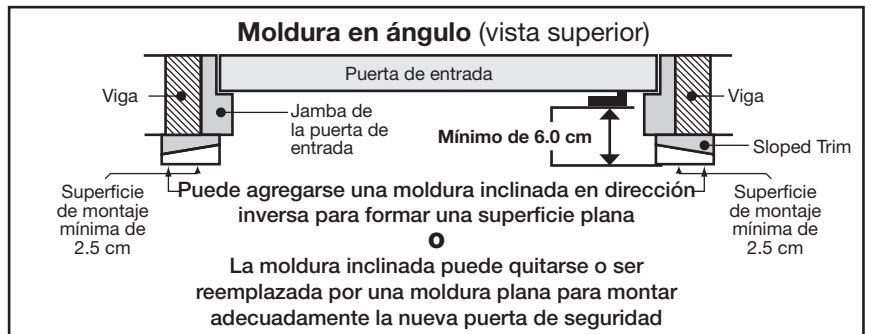
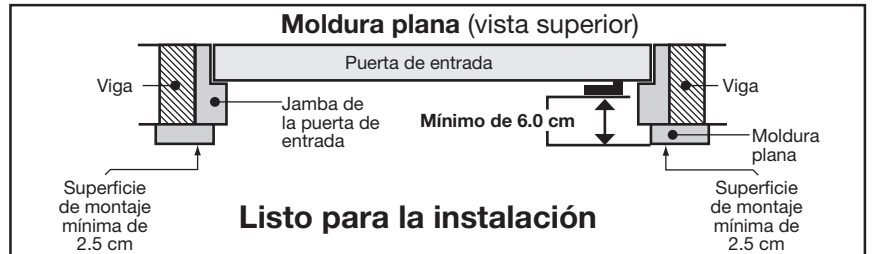
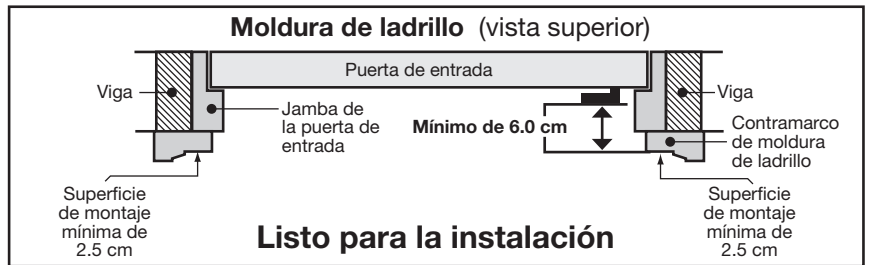
- Lámparas
- Salientes bajos
- Timbres
- Árboles, arbustos o plantas colgantes

## Determinar el tipo y el estado de la superficie de montaje

Tu nueva puerta de seguridad necesita una superficie de montaje de al menos 1" en el contramarco superior y en los dos lados de la puerta de entrada. Los tornillos de montaje deben fijarse a una viga en la pared. Ver las diagramas más abajo y determinar cuál se parece más al contramarco de la puerta de entrada donde montarás tu puerta de seguridad.

## Verifica que no haya interferencia de herrajes

Mide la profundidad desde la esquina de tu superficie de montaje hasta los herrajes de la puerta de entrada existente. Si la medida es de 6.0 cm o mayor, no habrá interferencia de herrajes. Si la medida es menor que 6.0 cm, mide desde el borde de la superficie de montaje en la parte superior de la puerta hasta el borde superior e inferior de la parte de los herrajes existentes que penetra en el espacio de 6.0 cm. Si alguna de estas dos medidas está entre 997 cm y 1.1 m, habrá interferencia entre la puerta de seguridad y los herrajes existentes. Puedes expandir la superficie de montaje para crear el espacio necesario o puedes montar la puerta de seguridad de forma tal que abra hacia el lado contrario a la puerta de entrada principal. Si hay menos de 6 cm entre la superficie de la puerta de entrada principal y la superficie de montaje de la puerta de seguridad, se necesitará expansión.



## 2) Determinar la configuración de tu umbral

Observa el umbral de tu puerta de entrada actual y usa los diagramas más abajo para determinar cuál es el umbral correcto para tu entrada. Esto determinará si necesitarás o no instalar la barra inferior en la puerta de seguridad.

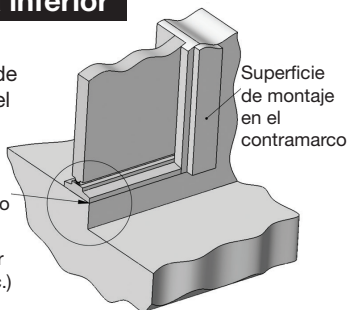
### Requiere la barra inferior



No hay espacio en la superficie de concreto para montar la placa del umbral.

Umbral cerca del borde del cemento

Descanso exterior (entrada, patio, etc.)



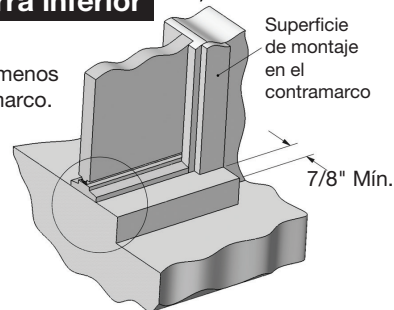
### NO Requiere la barra inferior



El concreto sobresale al menos 7/8" más allá del contramarco. 7/8" Mín.

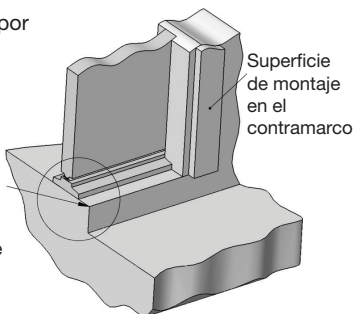
Superficie de montaje en el contramarco

7/8" Mín.



El concreto y el umbral están por detrás del contramarco.

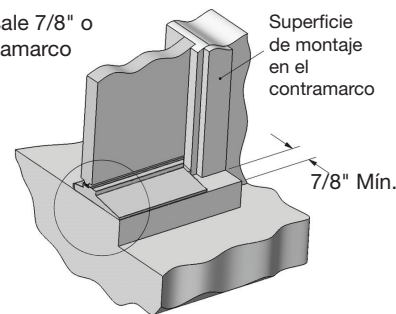
El cemento forma un saliente en frente del umbral pero no sobresale más allá de la superficie de montaje del contramarco



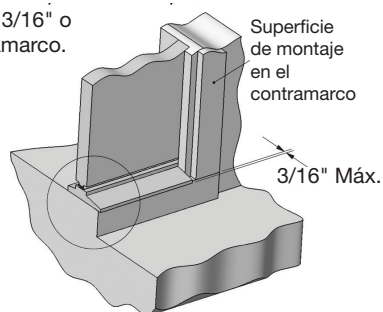
El umbral actual sobresale 7/8" o más por fuera del contramarco

Superficie de montaje en el contramarco

7/8" Mín.



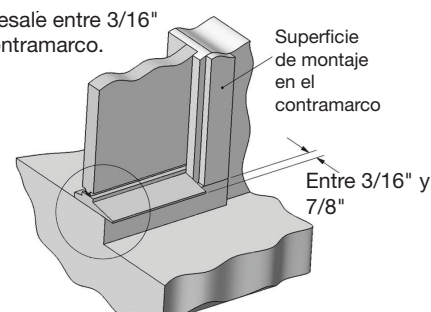
El umbral actual sobresale 3/16" o menos, más allá del contramarco. 3/16" Máx.



El umbral actual sobresale entre 3/16" y 7/8" más allá del contramarco. Entre 7/8" y 3/16"

Superficie de montaje en el contramarco

Entre 3/16" y 7/8"



## 3) Preparar tu puerta de seguridad

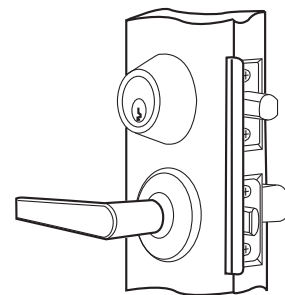
### Quitar el vidrio

Si tu puerta tiene un panel de vidrio, quítalo antes de empezar a instalar. Afloja (sin quitar) cada tornillo. Con cuidado sostén el panel de vidrio en su sitio y rota cada presilla 90°. Quita el panel de vidrio delicadamente y guárdalo en un lugar seguro durante la instalación.

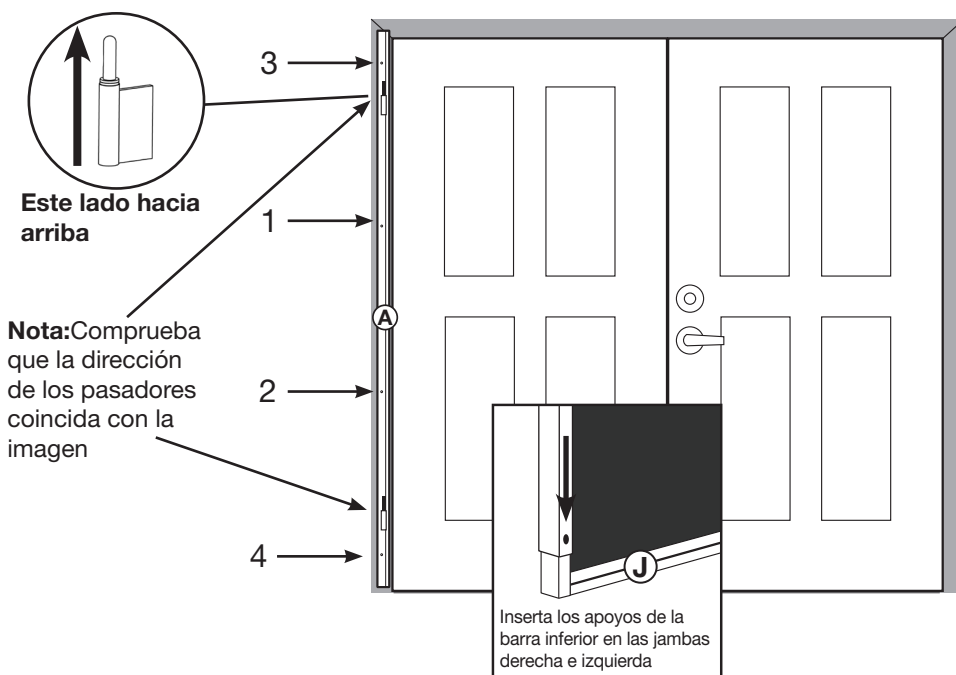


### Montar el juego de manijas

Instala la manija con retiro de 2-3/8" y el juego de cerradura de tu elección (Vendidos por separado), según las instrucciones del fabricante. Extiende completamente los pestillos en la posición de "cerrado" en la puerta de seguridad. (Vendido por separado)



## 4 Instalar la jamba del lado inactivo



### Montaje de la canillera del inactivo-lado

Coloca el ensamblado de la jamba del lado de la bisagra (**A**) sobre el lado inactivo de las puertas dobles. Deja un espacio de 1/8" entre el borde del lado de las bisagras de la jamba y el borde interior de la superficie de montaje.

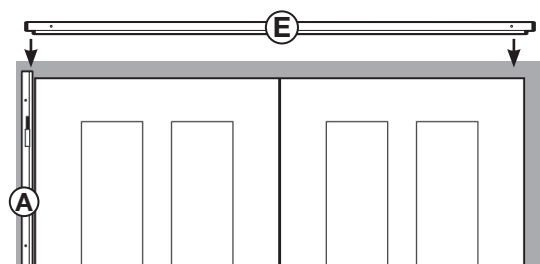
**Nota:** Debe quedar un espacio de al menos 2-3/4" por debajo de la jamba del lado de las bisagras y debajo de todo el ancho de la puerta, para la barra inferior (montada en el **Paso 10**). Se pueden mover las puertas hacia arriba dentro de la entrada para dejar este espacio, siempre que la parte superior de las jambas no pase del borde superior de la estructura del contramarco. Si queda un espacio de 2- 3/4" en toda la entrada, sigue con el **paso 5**. De lo contrario, coloca la barra inferior (**J**) sobre el piso frente a la entrada con los apoyos para arriba. Coloca el ensamblado de la jamba del lado de las bisagras (**A**) sobre el lado inactivo de la puerta, y desliza la jamba sobre el apoyo de la barra inferior para colocar correctamente la jamba. Debe hacerse esta misma alineación sobre la jamba del lado activo.

**Importante:** Todas las jambas deben instalarse de manera segura en la estructura del contramarco alrededor de la abertura. Asegúrate de que el ensamblado de la jamba esté a plomo y marca la ubicación de los orificios de montaje con lápiz. Pon la jamba a un lado y taladra donde marcaste orificios de 3/16".

### Sostén la Jamba inactiva con tornillos provisionales:

Coloca dos tornillos núm. 10 para drywall de 3 1/2" (**N**) dentro de los orificios de la sección media (**1 y 2** en el diagrama de la izquierda) para el lado inactivo de la jamba (**A**). Estos tornillos, que se retirarán y cambiarán en el **paso 9**, se insertan sólo para mantener el marco de la puerta de seguridad a plomo.

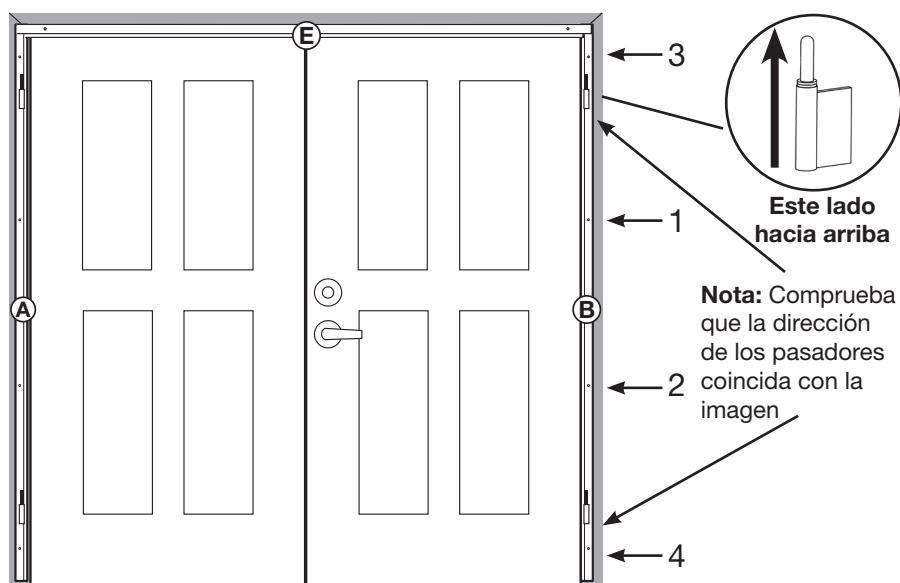
## 5 Instalar la jamba del dintel/travesaño



Coloca la jamba del travesaño superior (**E**) encima de la jamba lateral (**A**). Debes mantener el reborde mínimo de 1/8" en la jamba lateral (**A**) así como en la jamba del travesaño superior (**E**). El espacio debe ser el mismo, de izquierda a derecha, y por encima de la puerta. Marca la posición de los orificios de montaje. Pon la jamba del travesaño superior (**E**) a un lado y taladra donde marcaste orificios de 3/16" y 4" de profundidad. Vuelve colocar en su sitio la jamba del travesaño superior y, con la herramienta de destornillador unidireccional (**M**), fíjala a la superficie de montaje con los tornillos unidireccionales (**L**) provistos.

**Opcional:** tapones para ayudar a sellar completamente el cabezal superior jamba. Inserte los tapones en la parte superior del cabezal jamba. **Nota:** Las tapas pueden ser ajustados. Colocar un bloque de madera sobre cada tapa de extremo y golpee suavemente con un martillo.

## 6 Instalar la jamba del lado activo



Coloca el ensamblado de la jamba del lado activo (**B**) sobre el lado activo de las puertas dobles. Deja un espacio de 1/8" entre el borde del lado de las bisagras de la jamba y el borde interior de la superficie de montaje.

**Nota:** Si montaste la barra inferior debajo de la puerta, desliza la jamba sobre el apoyo de la barra inferior, tal como se menciona en el **paso 4**.

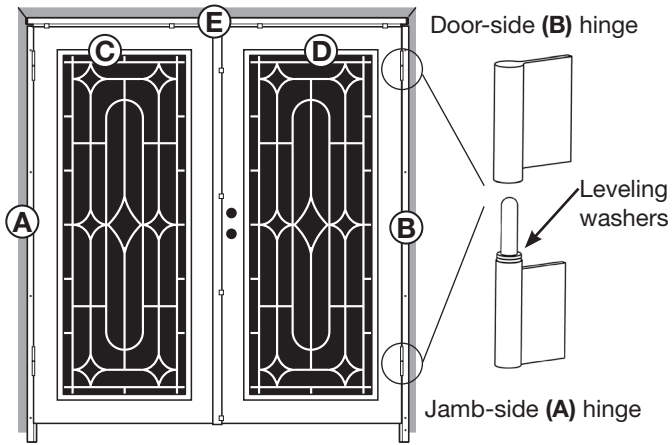
**Importante:** Todas las jambas deben instalarse de manera segura en la estructura del contramarco alrededor de la abertura.

Asegúrate de que el ensamblado de la jamba esté a plomo y marca la ubicación de los orificios de montaje con lápiz. Pon la jamba a un lado y taladra donde marcaste orificios de 3/16".

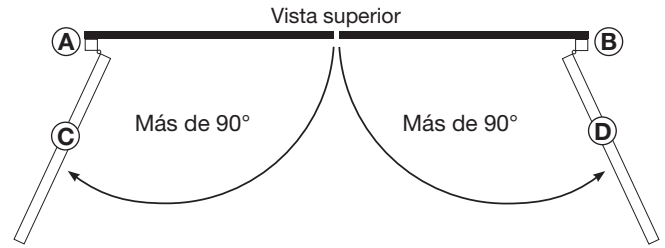
### Sostén la jamba activa con tornillos provisionales:

Coloca dos tornillos núm. 10 para drywall de 3 1/2" (**N**) dentro de los orificios de la sección media (**1 y 2** en el diagrama de la derecha) para el lado activo de la jamba (**B**). Estos tornillos, que se retirarán y cambiarán en el **paso 9**, se insertan sólo para mantener el marco de la puerta de seguridad a plomo.

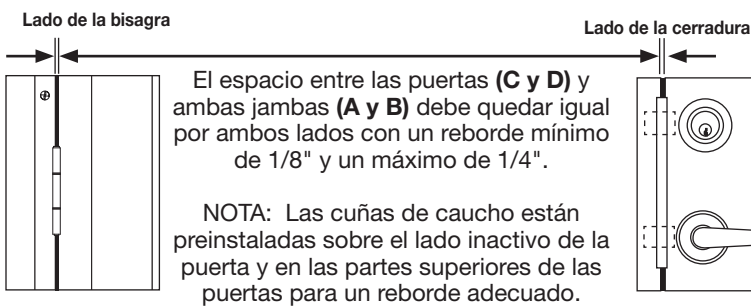
## 7 Montar las puertas para comprobar su ajuste



Monta las puertas de seguridad (C y D) en las bisagras de la jamba (A y B), con las puertas abiertas a más de 90° (ver el diagrama a la derecha); empieza por el pasador inferior.

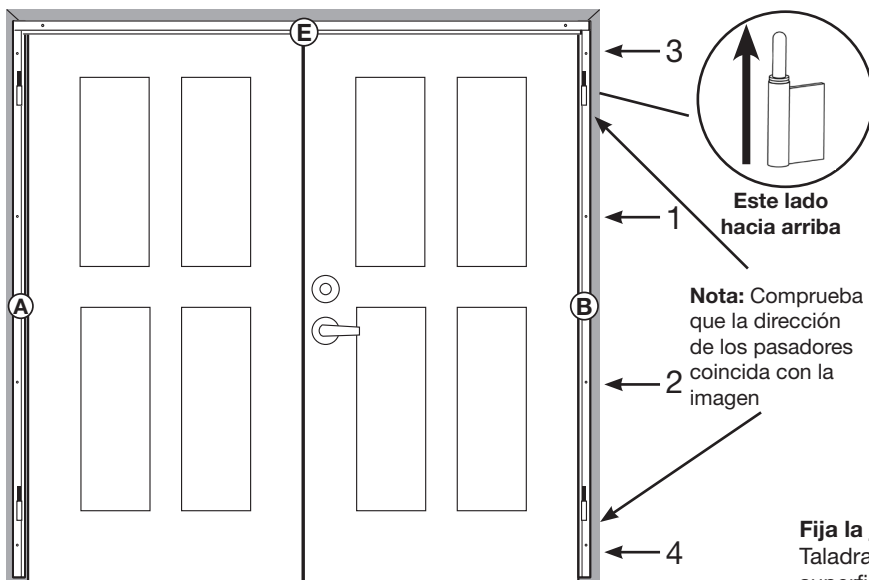


## 8 Alineación del cerrojo



Cierra ambos paneles de la puerta y extiende los pernos del cerrojo para comprobar la alineación de los mismos con los orificios de la cerradura. Nota: el perno deberá deslizarse fácilmente hacia adentro y hacia afuera, y estar de alguna manera centrado. Si los pernos no están adecuadamente alineados con los orificios, mide la distancia, hacia arriba y hacia abajo, de la desalineación. Mete los pernos y retira el panel de la puerta del lado del cerrojo de las bisagras. Déjalo a un lado. Retira los tornillos provisionales (N) de la jamba del lado activo, ajusta la altura tal como la mediste y reinstala la jamba con los tornillos provisionales. Monta la puerta nuevamente en las bisagras y vuelve a comprobar si el cerrojo encaja. En caso de ser necesario, repite hasta lograr una alineación adecuada.

## 9 Fija las jambas



### Fija la jamba del lado inactivo con tornillos unidireccionales:

Taladra dos orificios de 5/32" de diámetro y 3" de profundidad dentro de la superficie de montaje del contramarco de entrada a través de los orificios 3 y 4 en la jamba del lado inactivo (A). Coloca tornillos unidireccionales (M) de 1/4" de diámetro a través de los orificios 3 y 4 dentro de la superficie de montaje del contramarco de entrada con tu taladro y la herramienta de destornillador unidireccional provista (L).

Retira los dos tornillos para drywall núm. 10 de 3 1/2" (N) instalados en la jamba del lado inactivo (1 y 2 del diagrama) y taladra dos orificios de 3/16" de diámetro y 3" de profundidad en la superficie de montaje del contramarco de entrada a través de los orificios 1 y 2. Coloca dos tornillos unidireccionales (M) de 1/4" de diámetro en los orificios 1 y 2 con tu taladro y la herramienta de destornillador unidireccional provista (L). Utiliza un nivel en la parte superior e inferior de la jamba (A) para comprobar que la jamba esté nivelada.

### Fija la jamba del lado activo con tornillos unidireccionales:

Taladra dos orificios de 5/32" de diámetro y 3" de profundidad dentro de la superficie de montaje del contramarco de entrada a través de los orificios 3 y 4 en la jamba del lado activo. Coloca tornillos unidireccionales (M) de 1/4" de diámetro a través de los orificios 3 y 4 dentro de la superficie de montaje del contramarco de entrada con tu taladro y la herramienta de destornillador unidireccional provista (L).

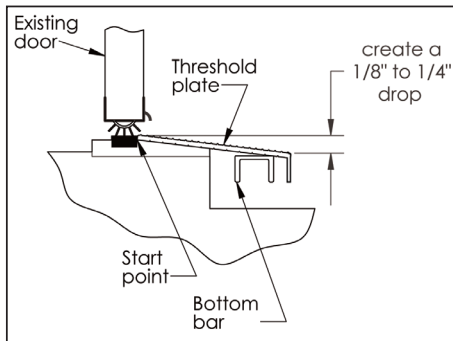
Retira los dos tornillos para drywall núm. 10 de 3 1/2" (N) instalados en la jamba del lado activo (1 y 2 del diagrama) y taladra dos orificios de 3/16" de diámetro y 3" de profundidad en la superficie de montaje del contramarco de entrada a través de los orificios 1 y 2. Coloca dos tornillos unidireccionales (M) de 1/4" de diámetro en los orificios 1 y 2 con tu taladro y la herramienta de destornillador unidireccional provista (L). Utiliza un nivel en la parte superior e inferior de la jamba (B) para comprobar que la jamba esté nivelada.

## 10 Instalación de la barra de la parte inferior

**Nota:** En caso de NO instalar la barra inferior, deséchala y continúa con el **paso 11**. Este paso es más fácil si ambos paneles de la puerta se desmontan de las bisagras

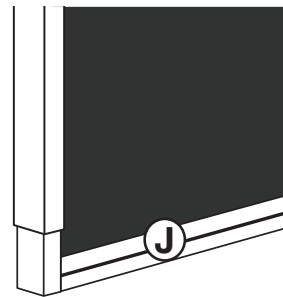
### Posición de la barra inferior

La barra inferior (**J**) debe instalarse de 1/8" a 1/4" por debajo de la entrada actual para dejar una inclinación con respecto al umbral. Ello permite drenar la humedad lejos de la puerta.



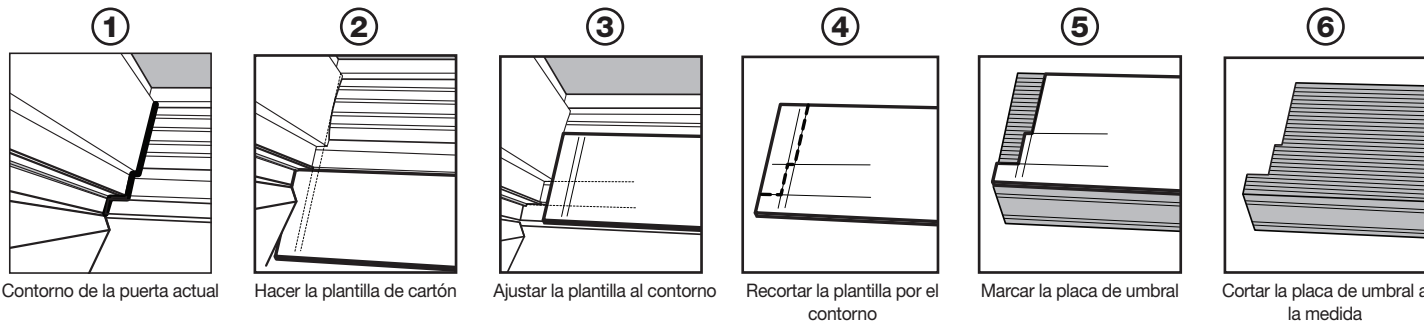
### Instalación de la barra inferior

Inserta la barra inferior en las jambas derecha e izquierda de la puerta. Ajusta la altura de la barra inferior (**J**) al nivel correcto. En los orificios taladrados en el centro de cada jamba (aproximadamente 5/16" hacia arriba desde la parte inferior), instala la barra inferior (**J**) con cuatro tornillos autoenroscantes núm. 8 (**N**). Usa el taladro a un velocidad baja para no dañar las roscas.

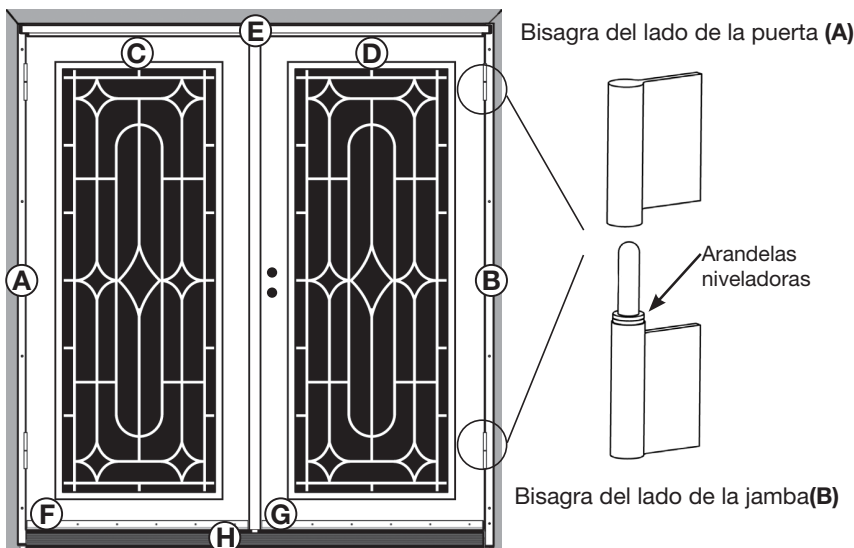


## 11 Instalar la placa de umbral

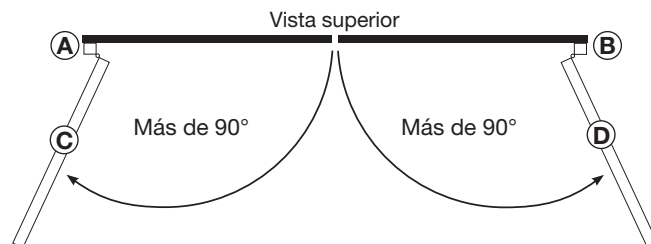
1. El contorno de los marcos de las puertas varía, por lo tanto es necesario cortar la placa de umbral (**H**) a la medida. Recomendamos recortar primero una plantilla de cartón a la medida de la abertura para evitar errores irreversibles al cortar la placa de umbral.
2. Coloca la plantilla de cartón (**P**) arriba de la barra inferior y presiona para encajarla en el umbral actual hasta donde sea posible. Con una regla, marca en la plantilla los diferentes anchos de las molduras y contramarcos actuales en ambos extremos.
3. Mueve la plantilla hasta dejarla a ras con el borde frontal de la barra inferior (se puede doblar para ajustar al ancho más corto entre las molduras y contramarcos). Marca en las diferentes esquinas de las molduras y contramarcos actuales.
4. Con un cuchillo para cartón recorta la plantilla siguiendo el contorno y las marcas de las molduras y contramarcos. Prueba si la plantilla ajusta correctamente. (Debe quedar apoyada sobre la barra inferior con el borde frontal a ras con el de la barra inferior y ajustada a las esquinas de las molduras y contramarcos actuales).
5. Después de crear la plantilla apropiada, úsala para marcar la placa de umbral.
6. Con tijeras de hojalatero/tijeras de aviación, corta la placa de umbral según la forma de la plantilla (**6**). Coloca la placa de umbral extendida a lo largo de la barra inferior y dentro del umbral existente. Usa una broca de 1/8" para taladrar los orificios de los tornillos de montaje. Fija la placa en el umbral actual con los tornillos provistos.



## 12 Instala las puertas



Hang the security doors (**C & D**) on the jamb hinges (**A & B**), holding the door open at more than a 90° angle (see diagram below), starting with the bottom pin first.

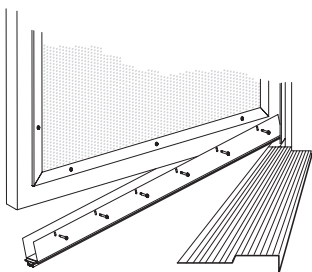




## 13 Asegure el perno de disparo inferior

Coloque un poco de masilla en la punta del perno de disparo inferior en el panel inactivo. Cierre la puerta inactiva **(C)** y despliegue el perno de disparo inferior de modo que la masilla marque la placa del umbral **(H)**. Abra el panel inactivo **(C)** y retire el material en el lugar marcado en la placa de umbral **(H)**. Comience con una broca de 3/16" y continúe hasta el orificio de 7/16" necesario para recibir el perno. Cierre el panel inactivo **(C)** y despliegue el perno de disparo para confirmar que funciona correctamente.

## 14 Instalar guardapolvos contra insectos



Abre un lado de la puerta. Sostén el guardapolvo en su sitio y cierra la puerta. Deja que el guardapolvo caiga y descance sobre la placa de umbral **(H)** izquierda. Nota: Verifica que no quede ningún resquicio entre el guardapolvo y la placa de umbral, y que el guardapolvo quede centrado en la sección inferior de la puerta. Usa una broca de 1/8" para taladrar los dos orificios exteriores para los tornillos de montaje. A través de los orificios exteriores, fija el guardapolvo en la sección inferior de la puerta con los tornillos autoenroscantes negros núm. 8 **(O)** provistos. Comprueba si la puerta cierra y abre sin dificultad. De no ser así, afloja los tornillos y haz los ajustes necesarios. Vuelve a apretar los tornillos y prueba de nuevo. Repite hasta lograrlo. Pretaladra el resto de los orificios e instala el resto de los tornillos autoenroscantes negros núm. 8 **(O)** provistos. Repite este paso con el otro lado de la puerta.

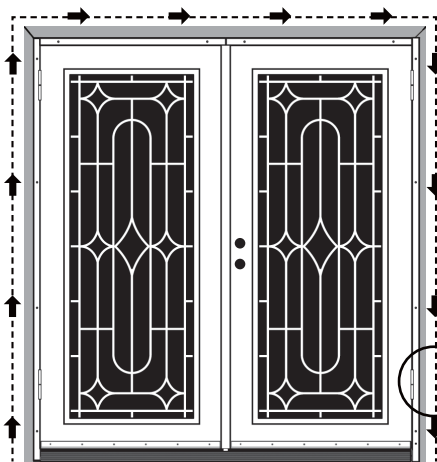
## 15 Instalar el cierre de la puerta y la cadena de retención (opcional, vendidos por separado)



Sigue las instrucciones del fabricante incluidas con la cadena de retención y el cierre de la puerta para instalar en tu nueva puerta de seguridad.

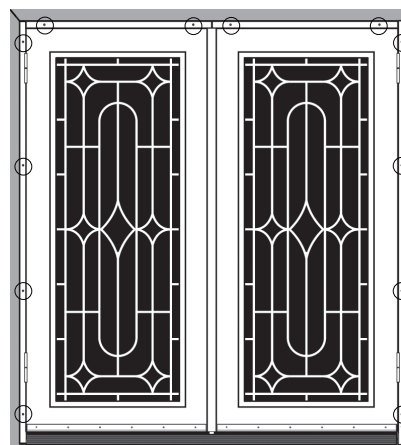
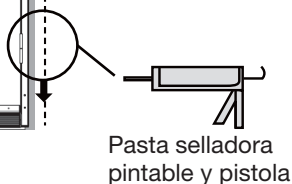
**Nota:** No es imprescindible usar un cierre y una cadena de retención en tu puerta de seguridad.

## 16 Sugerencias finales de retoque



### Pasta selladora (no incluido)

Aplica pasta selladora pintable por el exterior del marco de la jamba de las puertas de seguridad y pinta del color deseado.



### Pintura para retoques

Agita bien durante 2 minutos la pintura de retoque **(K)** provista y pinta las cabezas de los tornillos unidireccionales tal como lo indica el diagrama.

### Lubricante de grasa blanca (no incluido)

Cada seis meses lubrica con grasa blanca las bisagras de nueva puerta de seguridad.

## Cuidado y mantenimiento

Con el tiempo se pueden acumular polvo, suciedad e impurezas en el aire, lo que provocará defectos visuales en la puerta o la ventana y, si está equipado, en la malla Meshtec y, si no se elimina con regularidad y de manera adecuada, puede provocar más daños, manchas y corrosión. Tu programa de limpieza depende de tu ambiente:

AMBIENTE	DESCRIPCIÓN	PROGRAMA DE LIMPIEZA
Suave	Tierra adentro, rural, y lejos de la actividad urbana	cada 6 meses
Moderado	Urbano moderado/suburbano, tierra adentro	cada 3 meses
Extremo	Urbano extremo/suburbano, costero (dentro de 25 millas)	cada 2 a 4 semanas

Lava bien el marco de la puerta y malla Meshtec, si está equipado, con un paño suave, jabón suave y agua. No utilices disolventes fuertes o limpiadores a base de abrasivos. No expongas las manijas, bisagras, ni los cerrojos a cantidades excesivas de agua. Al concluir, elimina el exceso de agua con un paño seco y suave. Para los productos que incluyen una malla Meshtec, presta especial atención al secar completamente el área de unión de la malla al marco. Evita usar objetos afilados o materiales abrasivos en el marco de la puerta o en la malla. Utiliza grasa blanca para lubricar las bisagras en cada limpieza.

## Garantía

La malla para puerta o ventana de seguridad de Unique Home Designs/Titan está cubierta por una garantía de reemplazo de 10 años. Recibirá una nueva malla para puerta o ventana sin cargo adicional si su producto presenta defectos en los materiales o en la mano de obra dentro de los 10 años posteriores a la fecha de fabricación. Se otorga una garantía de protección adicional por 5 años (para un total de 15 años de garantía) cuando el producto se registra por Internet en [uniquehd.com/registration](http://uniquehd.com/registration). Si su casa sufre un robo y la entrada se realizó a través de una puerta de seguridad UHD/Titan correctamente instalada y cerrada con un cerrojo doble, un sistema de bloqueo de 3 puntos o un cerrojo simple en una puerta equipada con una pantalla de metal perforado o Meshtec o una ventana correctamente instalada y cerrada pantalla, usted está cubierto por la Garantía de protección del hogar y recibirá una nueva pantalla de puerta o ventana (solo producto, instalación excluida) sin cargo o reembolso de hasta \$ 1,000 del deducible de su seguro. Los componentes preinstalados en la malla para puerta o ventana de seguridad (como cerraduras, manijas, rodillos, barredores) están cubiertos por un año a partir de la fecha de compra. Los accesorios agregados a la puerta de seguridad por el comprador no están cubiertos por esta garantía. El incumplimiento de las instrucciones de instalación incluidas con el producto anula esta garantía. Cualquier problema causado por abuso, mal uso, incumplimiento de las instrucciones de cuidado y mantenimiento, ajustes debido al asentamiento de la estructura en la que está montado el producto, o casos fortuitos, tampoco están cubiertos por esta garantía. El estilo de los repuestos puede variar debido a cambios de proveedores, productos y colores. UHD/Titan no es responsable de ningún gasto de mano de obra necesario para instalar el producto de reemplazo. UHD/Titan no se responsabiliza por asegurar la propiedad mientras los artículos bajo la garantía estén siendo reparados o reemplazados.

Para efectuar una reclamación bajo esta garantía, envíe por escrito una descripción breve del problema, una foto de la reclamación, comprobante de compra y su información de contacto a: Unique Home Designs, Atención: Warranty Claims, 1811 S. Alma School Rd. Ste 190, Mesa AZ 85210 o se puede enviar por correo electrónico a [support@uhdco.com](mailto:support@uhdco.com)

"Meshtec" es la marca comercial registrada de Meshtec International Co., Ltd. ("MTC") en los Estados Unidos y otras jurisdicciones mundiales (incluidos los registros pendientes) y no se puede utilizar sin el consentimiento previo por escrito de MTC. Genuine Meshtec es una marca registrada de Meshtec International Co., Ltd. N. ° de patentes: 6,802,357 y 8,191,606 Marcas comerciales registradas 4,337,128 ('Meshtec') y 4,337,135 ('Genuine Meshtec Security Mesh').

## ¡Alarga tu garantía!

Cuando te registras por internet en [uniquehd.com/registration](http://uniquehd.com/registration)