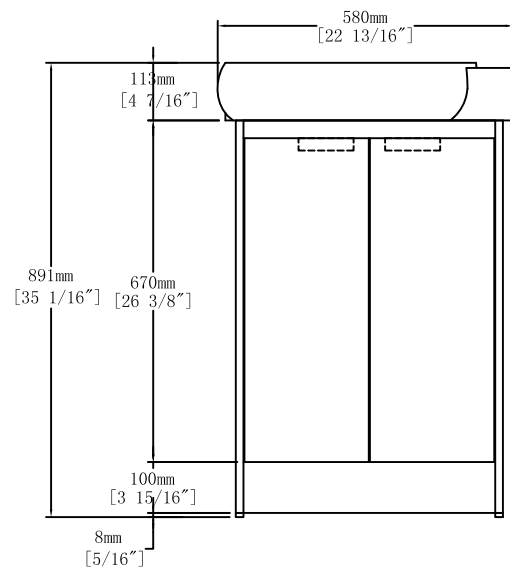
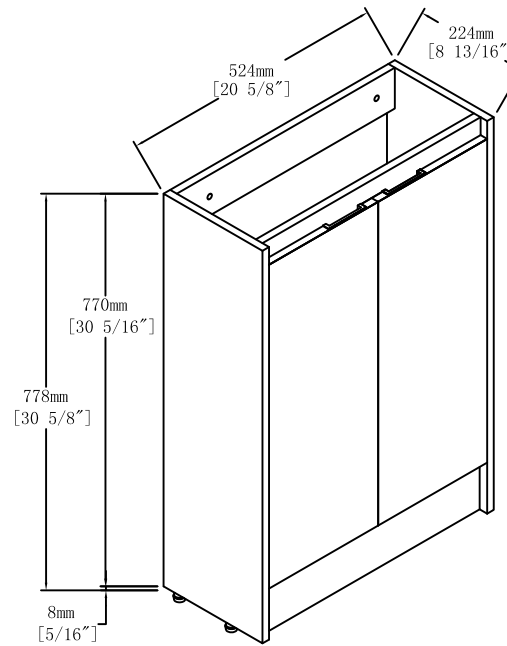
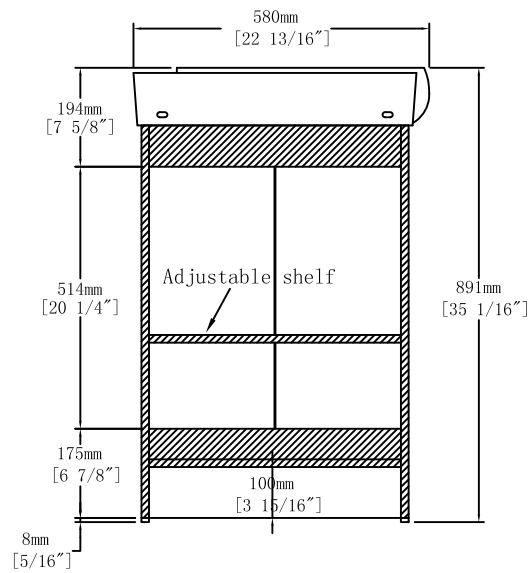


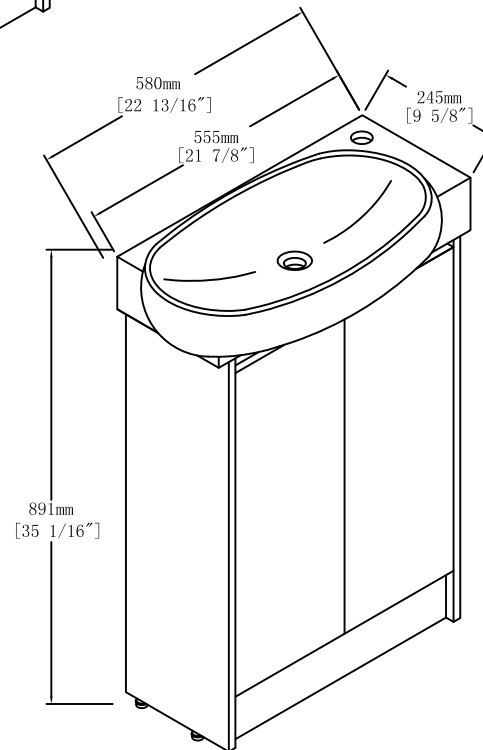
Top View



Front View



Back View



Item NO.

BV C02923 GWH

Version

V1

Project

Date

2024-5-11