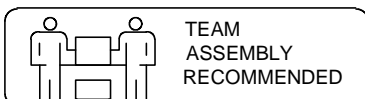
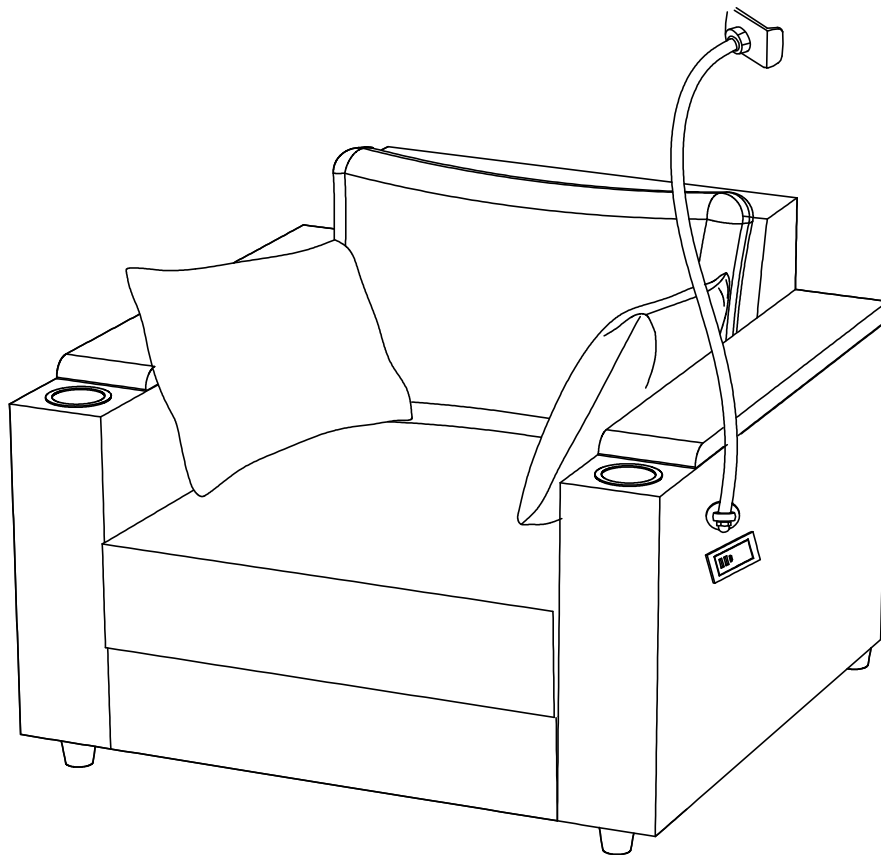


INSTRUCTION



SKU: N719P211024

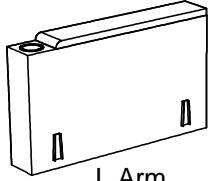
Notice: As the cushions are vacuum-compressed, allow up to 72 hours for them to return to their original shape. To expedite this process, you may knead the cushions gently, similar to a massage, to facilitate air circulation through the foam. This will enhance the cushions' rebound and help them become fluffy. If there are any wrinkles, use an iron to gently smooth them out.



Arm Chair

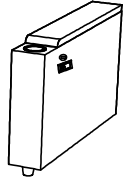
PARTS LIST

A x1



L Arm

B x1



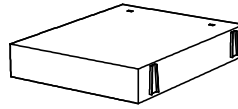
R Arm

C x1



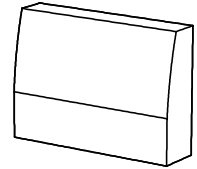
Phone Holder

D x1



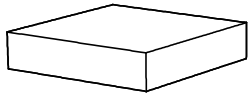
Seat Frame

E x1



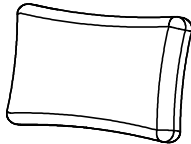
Back

F x1



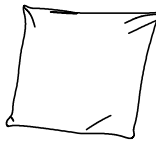
Seat Cushion

G x1



Back Cushion

H x2



Throw Pillow

J x2



Insert

K x8



Leg

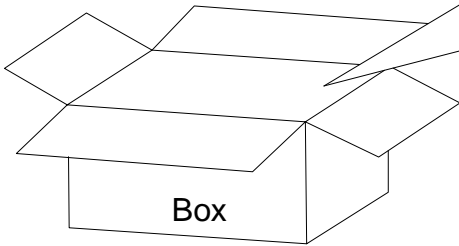
L x1



USB power

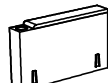
Step1

Ship by 1 box



Box

N719P211024



A x1



B x1



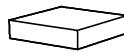
C x1



D x1



E x1



F x1



G x1



H x2



J x2

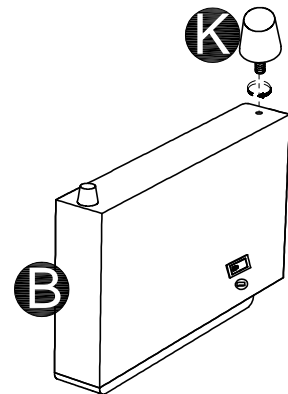
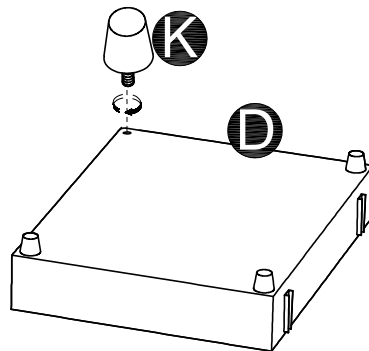
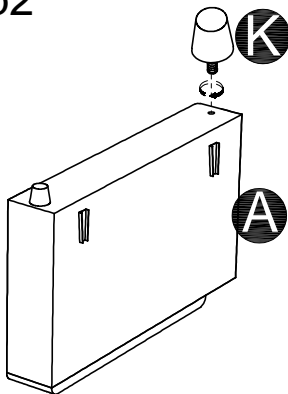


K x8

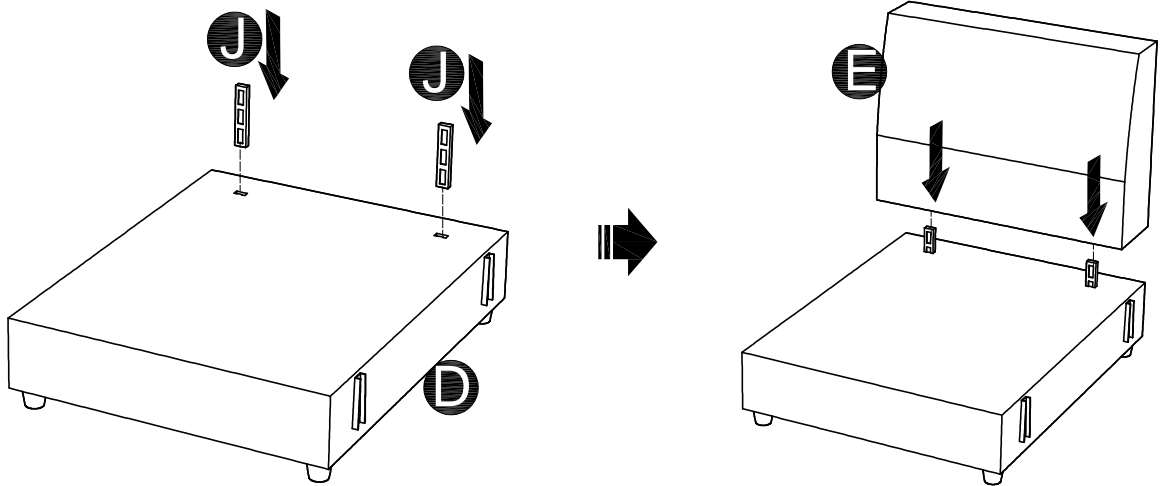


L x1

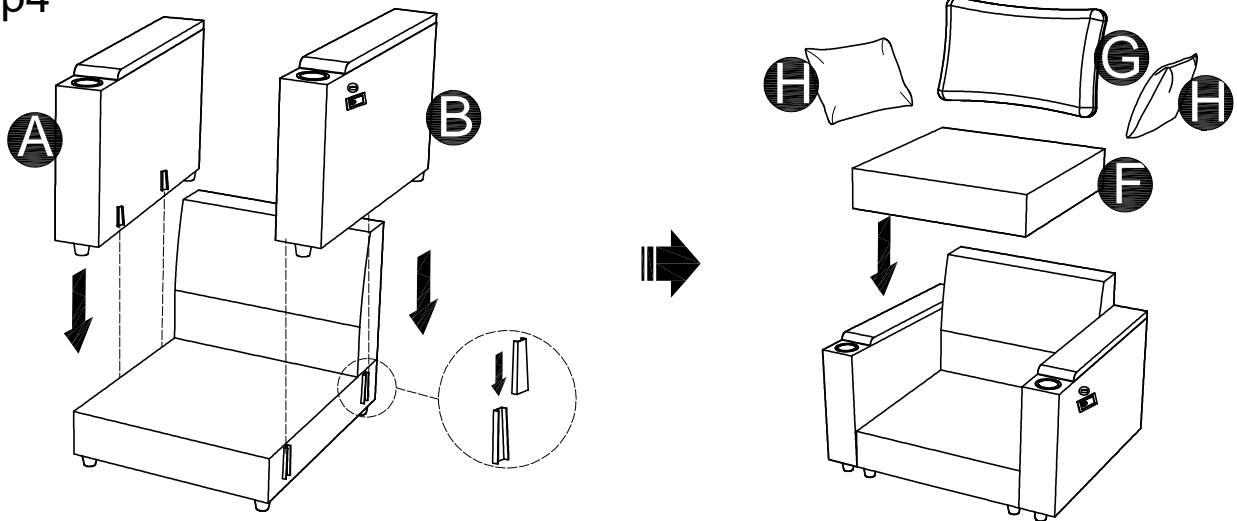
Step2



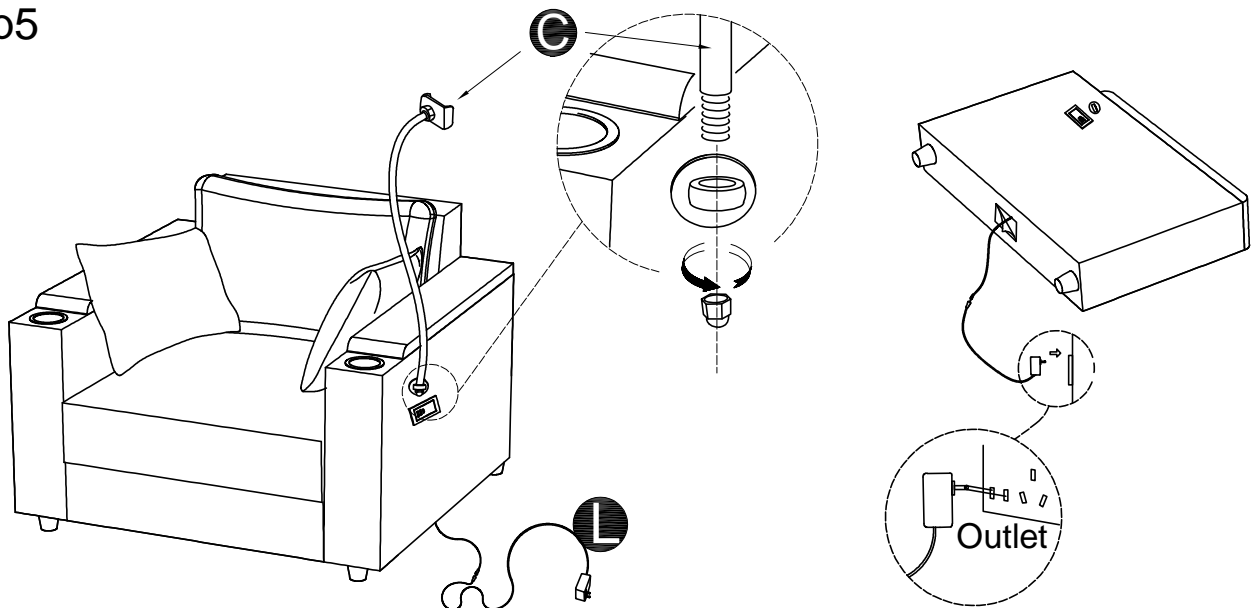
Step3



Step4



Step5

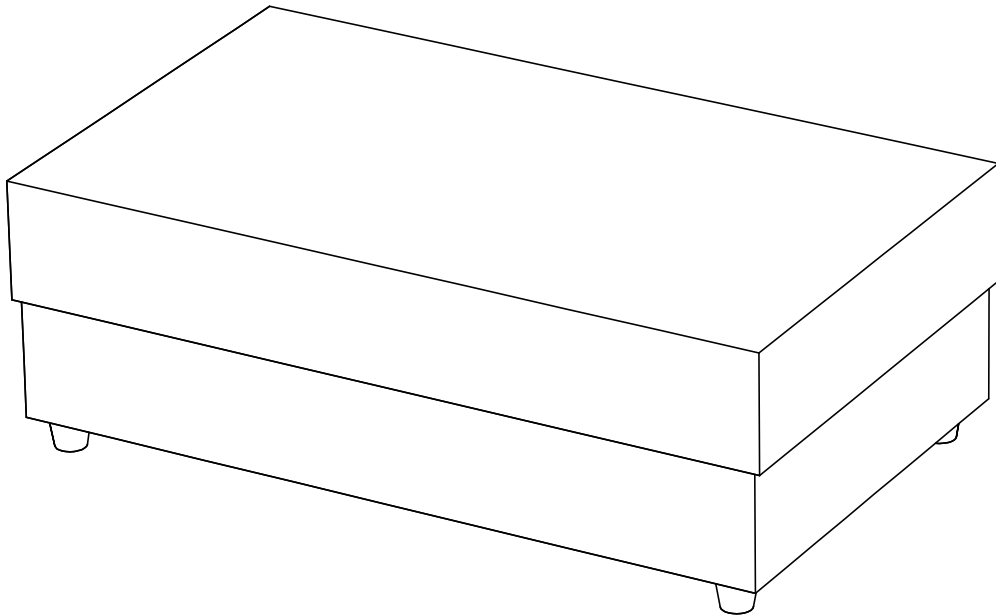


INSTRUCTION



SKU: N719P211023

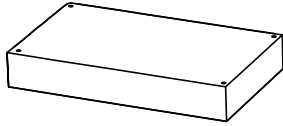
Notice: As the cushions are vacuum-compressed, allow up to 72 hours for them to return to their original shape. To expedite this process, you may knead the cushions gently, similar to a massage, to facilitate air circulation through the foam. This will enhance the cushions' rebound and help them become fluffy. If there are any wrinkles, use an iron to gently smooth them out.



Ottoman

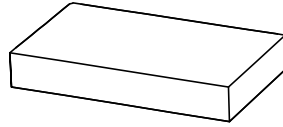
PARTS LIST

A x1



Ottoman Frame

B x1



Ottoman Seat Cushion

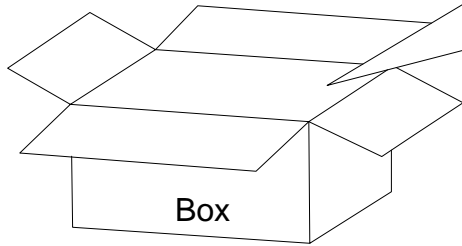
C x4



Leg

Step1

Ship by 1 box



N719P211023



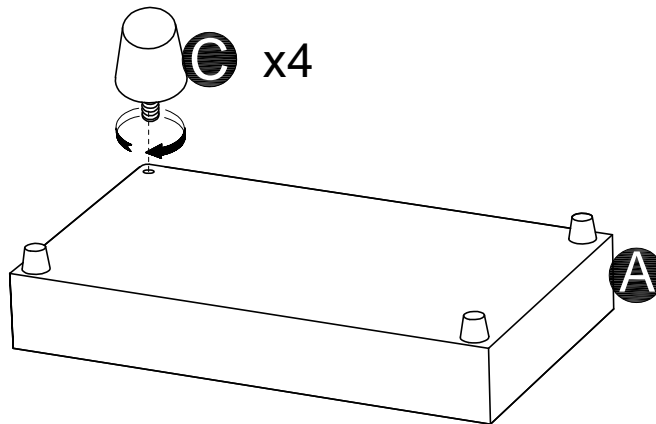
A x1



B x1

C x4

Step2



Step3

