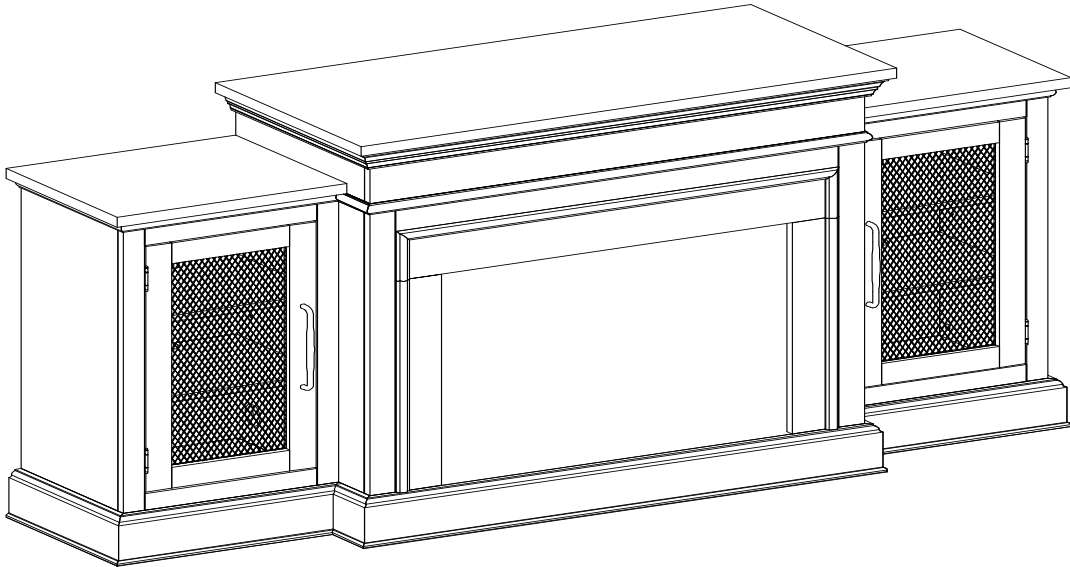


ASSEMBLY INSTRUCTIONS

Item No.: B120009900



WE HAVE YOU IN MIND, LET US SERVE YOU!


Questions? Issues?

CONTACT US

24 hours / 7 days a week

 **ONE YEAR WARRANTY**

 **customer.care@sunjoygroup.com**

Toll Free  **1-(866)-578-6569**

Important Safety Instructions



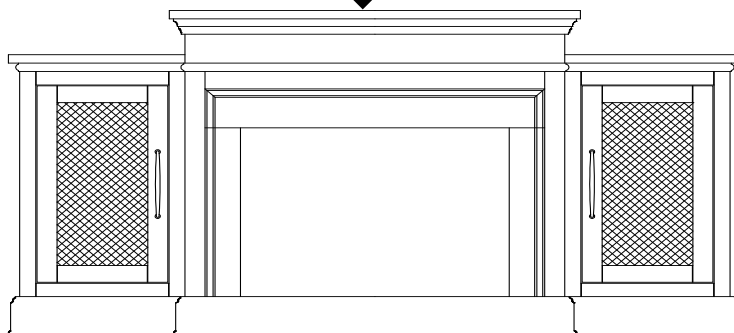
Warning! Please read and understand this entire manual before attempting to assemble or operate this product.

- Choking hazard – This product contains small parts. Keep all hardware out of reach of children.
- Two people are recommended for assembly.
- Unpack on a soft, smooth surface and inventory all parts.
- DO NOT overtighten any connectors.
- Philips head screwdriver (not provided) required for assembly.
- Do not use power tools.

Caution! Weight Limitations

This accent console is intended for use only with products and maximum weights shown on this label. Use with other products or products heavier than maximum weights shown below may result in instability causing possible injury.

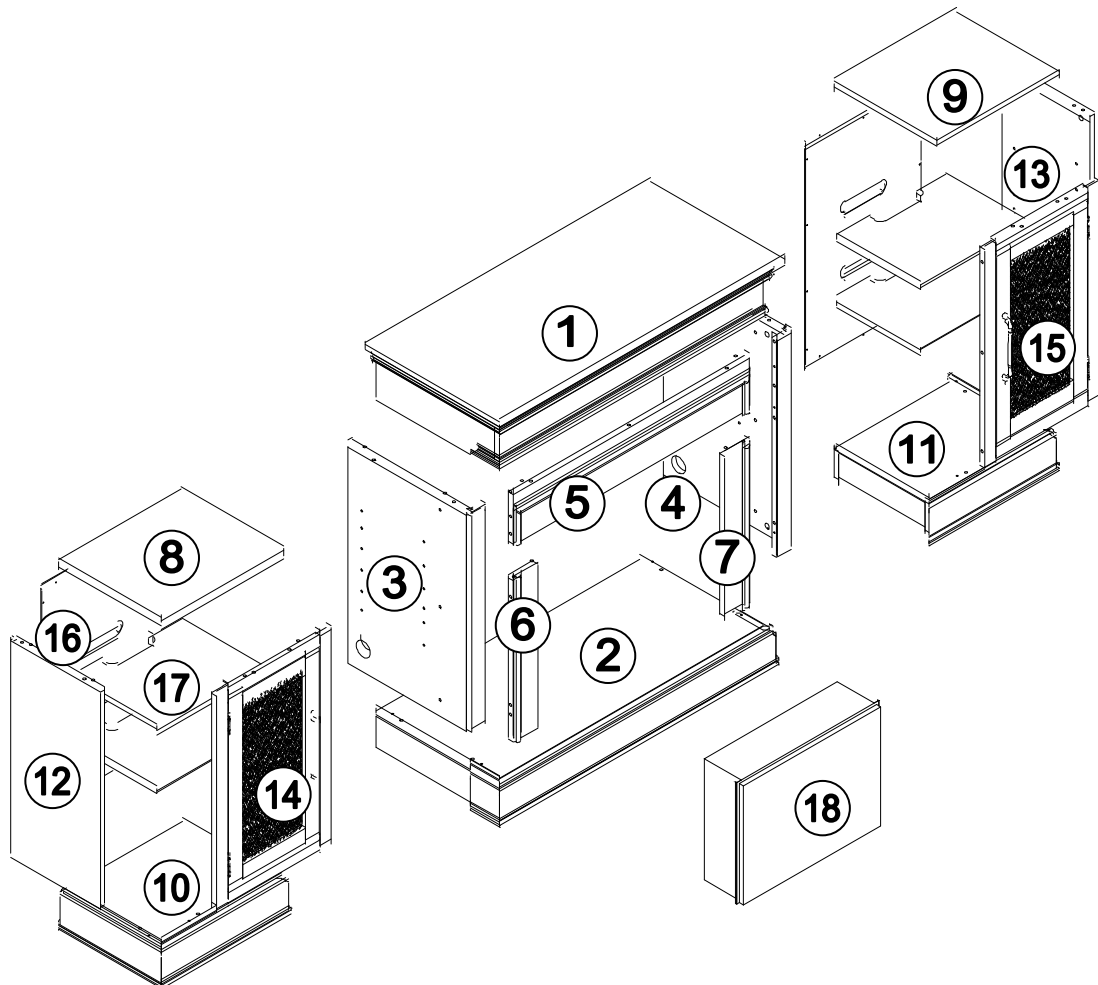
Maximum top weight: 181.4 kg/400lb




Maximum shelf weight: 16.9/37.2lb

Country of Origin: Vietnam



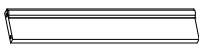
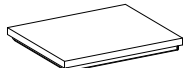
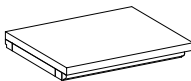
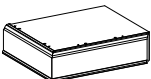

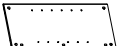
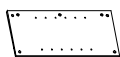
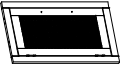
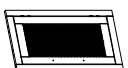

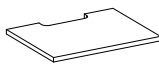
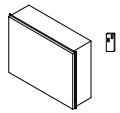
Exploded Drawing



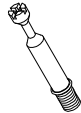



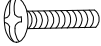
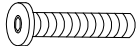

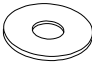
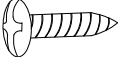

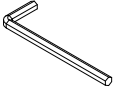
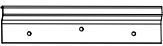

Parts List

Label	Part Number	Description	Qty	Part Image
1	P002100431	Top Frame Of Middle	1	
2	P000100233	Bottom Frame Of Middle	1	
3	P004200041	Left Side Frame Of Middle	1	
4	P004200042	Right Side Frame Of Middle	1	

Country of Origin: Vietnam

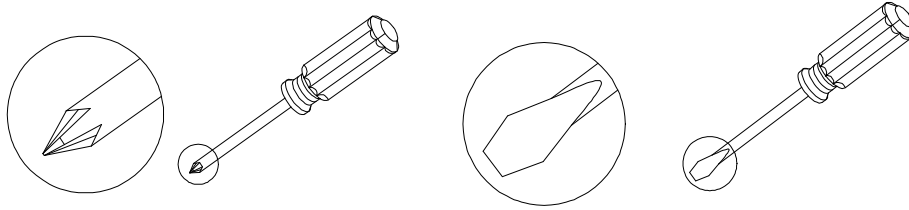
5	P003900111	Up Crosspiece Of Middle	1	
6	P003900112	Left Lower Crosspiece	1	
7	P003900113	Right Lower Crosspiece	1	
8	P002100432	Left Top Frame Of Side	1	
9	P002100433	Right Top Frame Of Side	1	
10	P000100234	Left Bottom Frame Of Side	1	
11	P000100235	Right Bottom Frame Of Side	1	
12	P003800372	Left Side Panel Of Side	1	
13	P003800373	Right Side Panel Of Side	1	
14	P004100148	Left Front Frame Of Side	1	
15	P004100149	Right Front Frame Of Side	1	
16	P004000301	Back Panel	2	
17	P004200329	Shelf Panel	4	
18	P005200025	26" Electric Fireplace Insert(Packed In a Separate Box)	1	

Hardware Pack

Label	Part Number	Description	Qty	Part Image
A	H100010001	Cam Bolt	39	
B	H100020003	Cam Lock Ø15*12	39	
C	H060030003	Dowel Ø8*30	42	
D	P005100322	Handle	2	
E	H010110050	Bolt M4*20	4	
F	H010030021	Bolt M6*25	6	
G	H050020017	Spring Washer M6	6	
H	H050030001	Flat Washer M6	6	
I	H030040043	Screw ST3.5*10	28	
J	H060030007	Shelf Support	16	
K	H090030002	Allen Key M6	1	
L	P002200164	Connection(Packed With Insert Box)	2	
M	H030070408	Screw ST3.5*13(Packed With Insert Box)	6	

Country of Origin: Vietnam

Cam Bolt + Cam Lock Hidden Connector System Assembly Technique



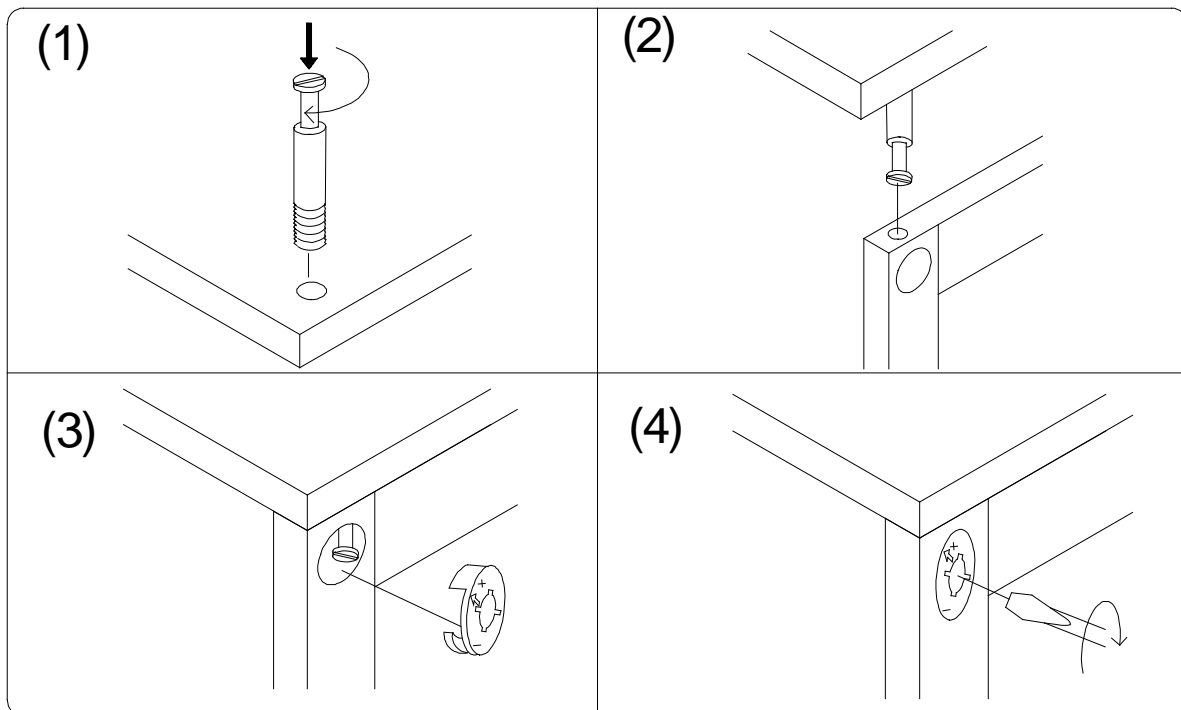
Screw the cam bolt into the threaded inserts on the panel.

Connect both panels together, making sure the cam bolt goes into the pre-drilled hole on the end of panel and is visible so the cam lock can be attached.

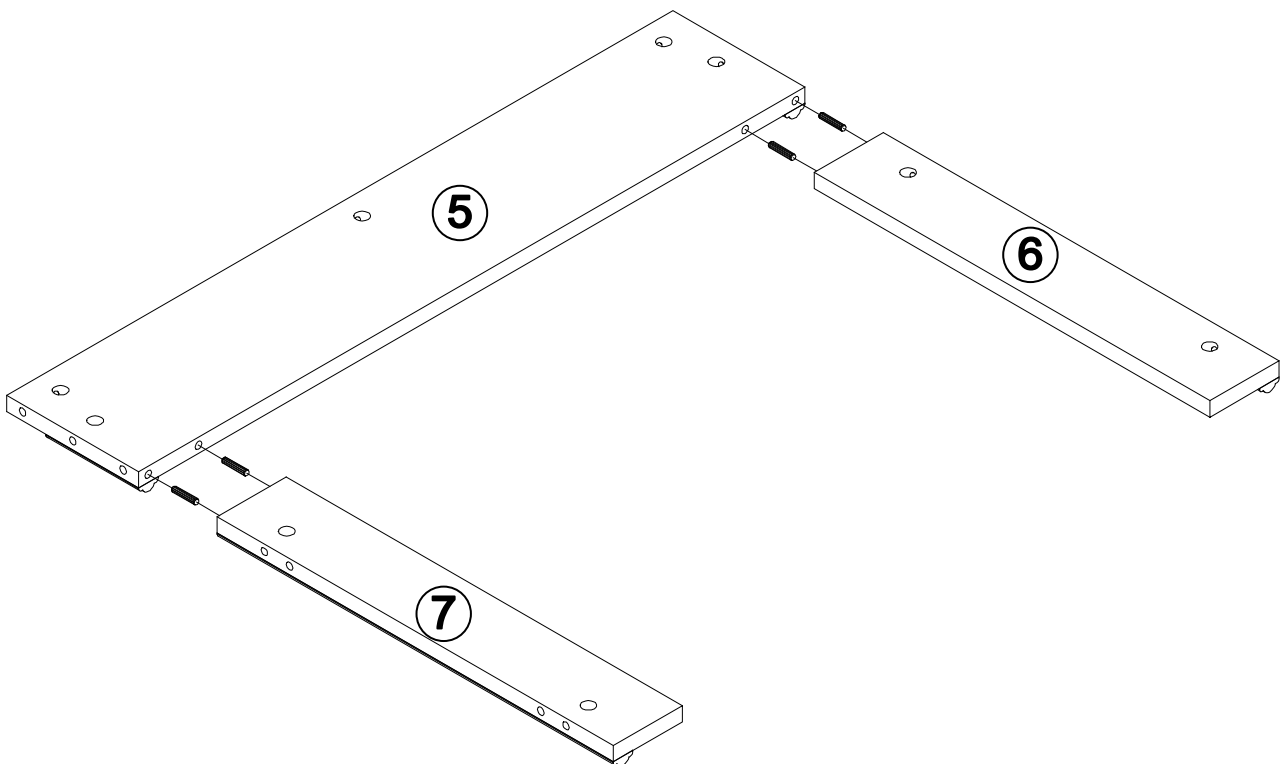
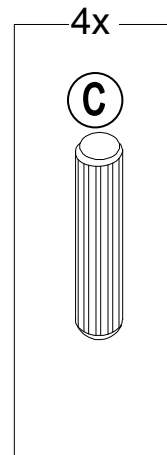
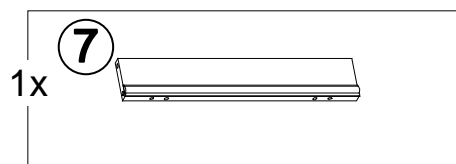
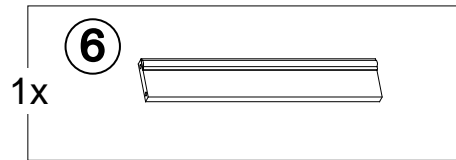
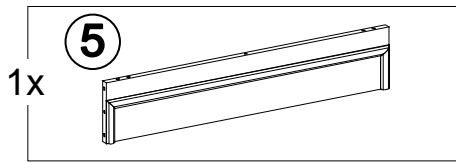
Insert the cam lock into the pre-drilled large hole on the panel, making sure the arrow on the face of the cam lock faces out and points toward to cam bolt.

Take a Phillips head screwdriver and rotate cam lock clockwise to lock the cam bolt into place.

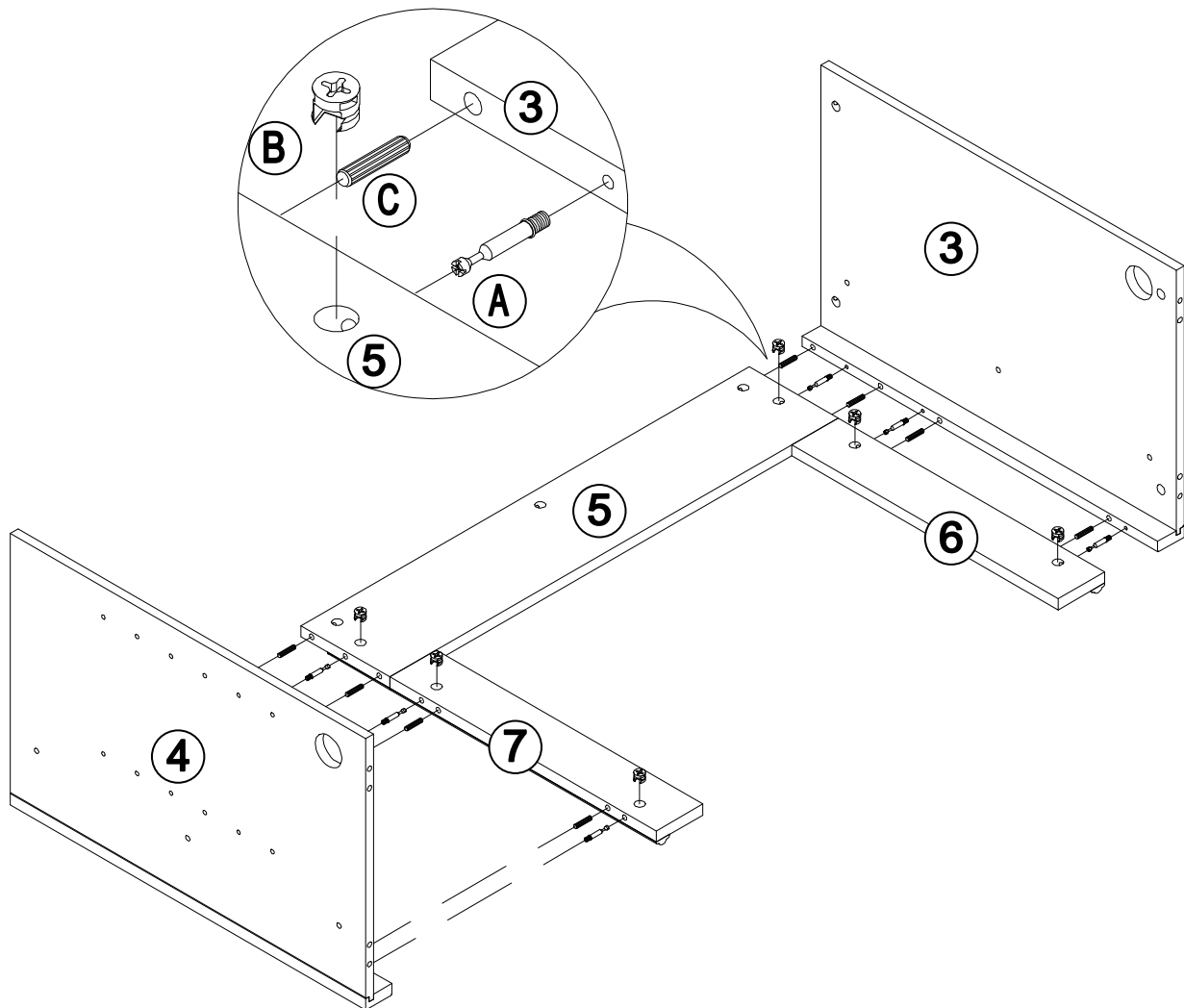
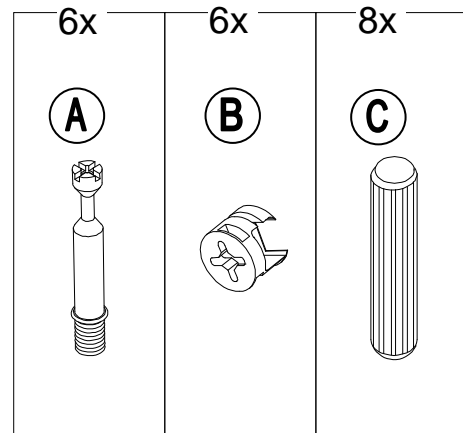
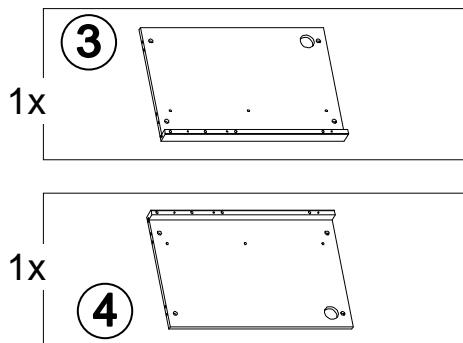
HIDDEN CONNECTOR.....ASSEMBLY TECHNIQUES



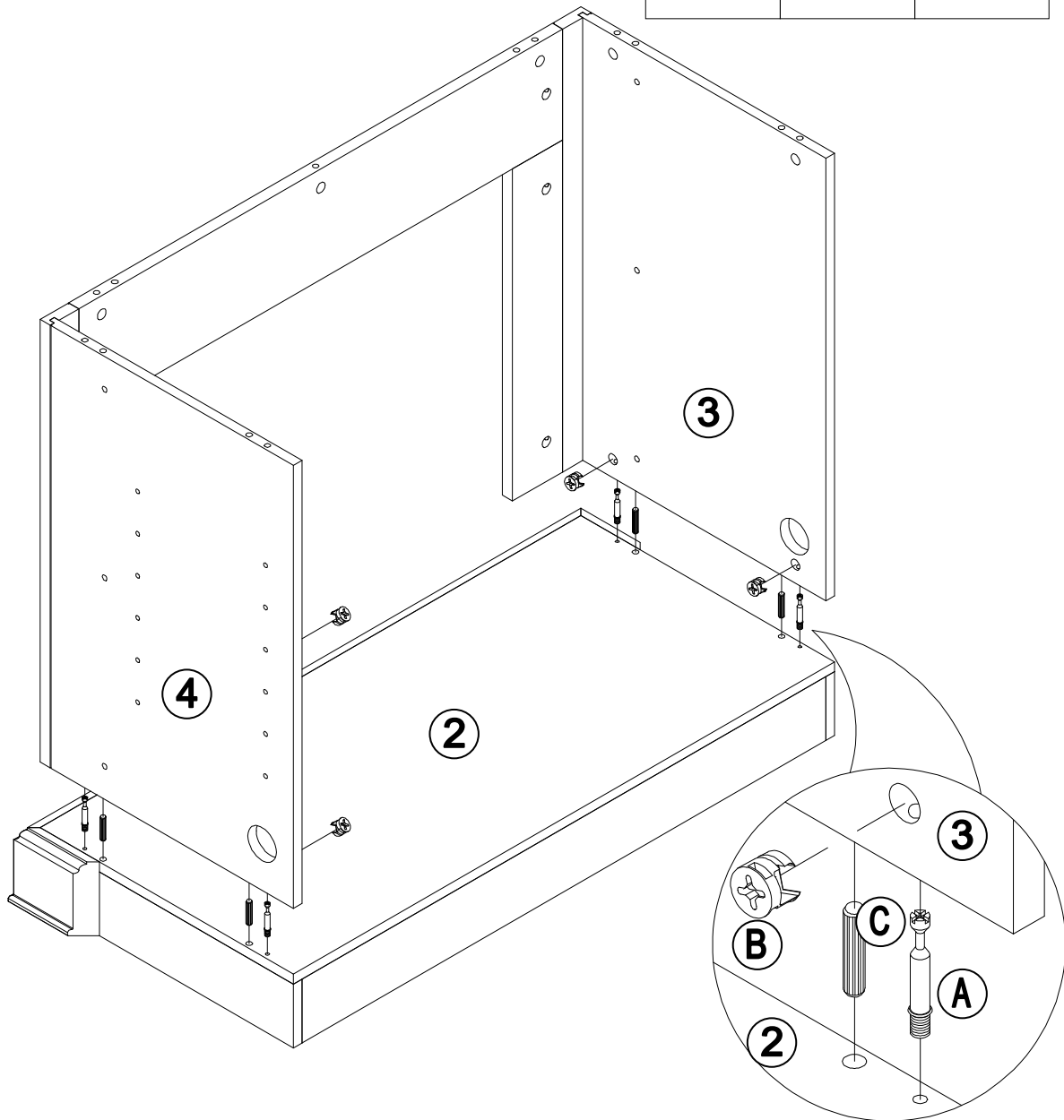
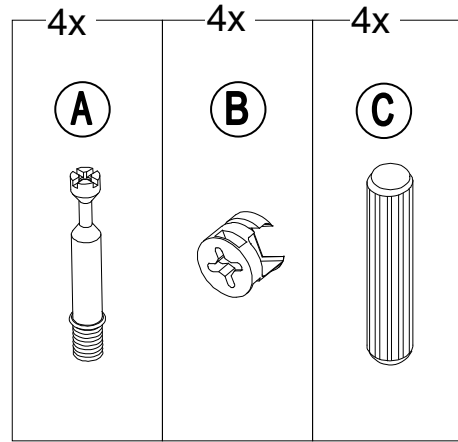
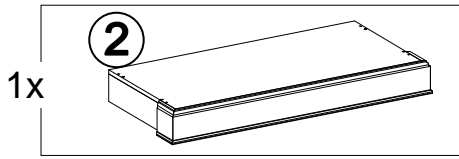
Before beginning assembly of product, make sure all parts are present. Assemble on a soft surface.

STEP 1

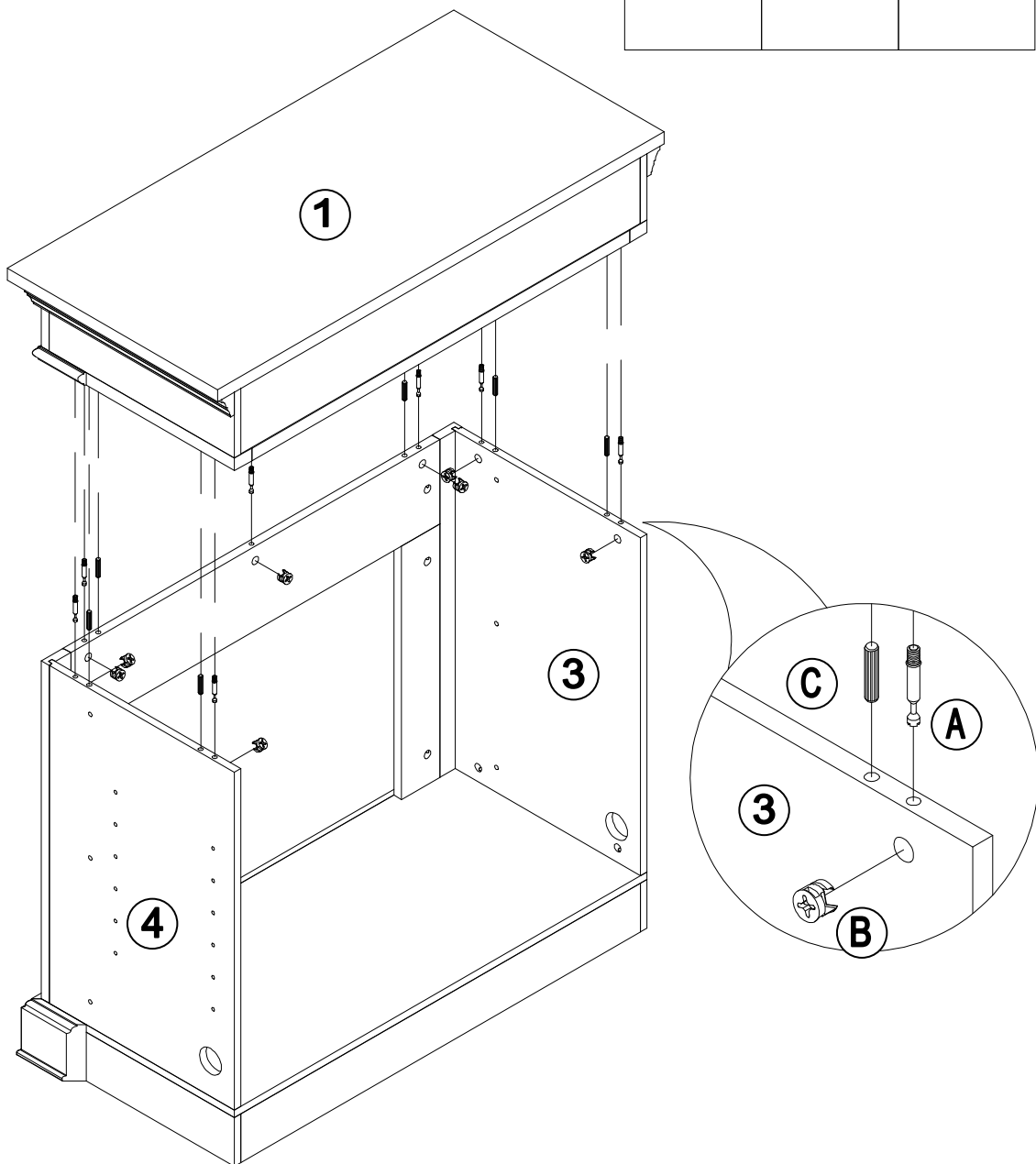
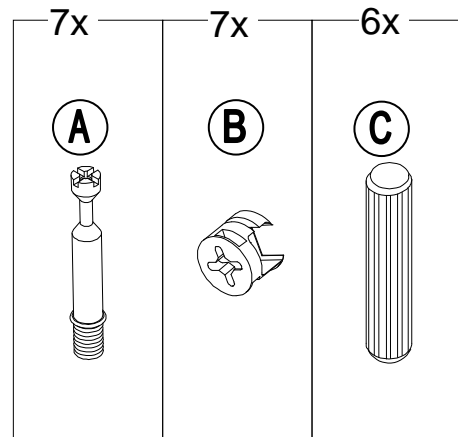
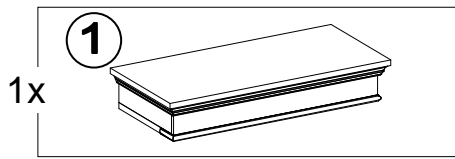
STEP 2



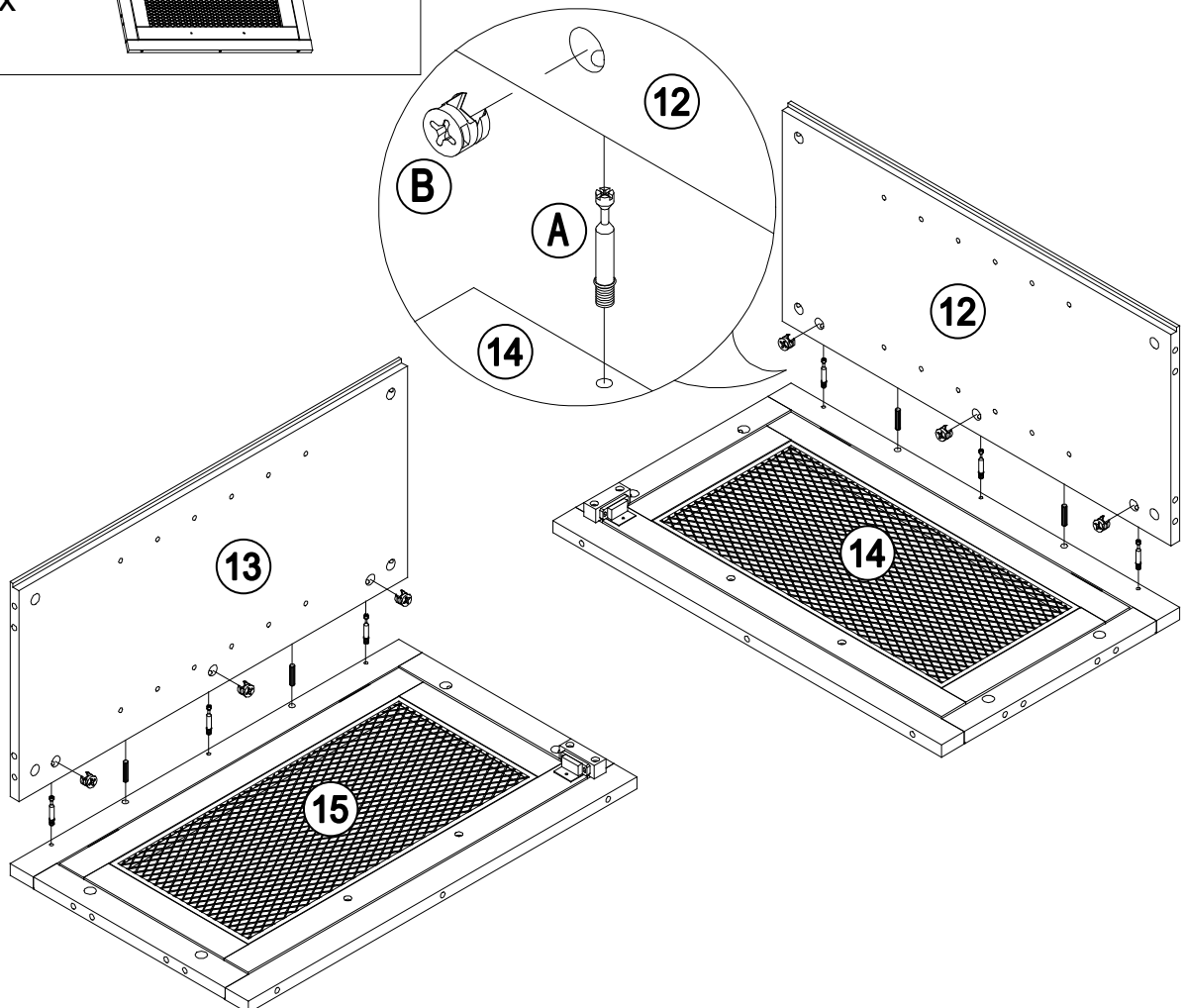
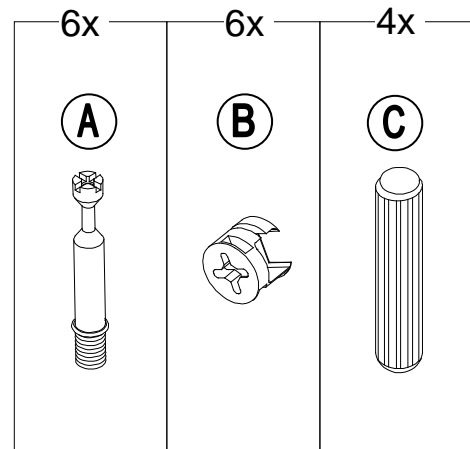
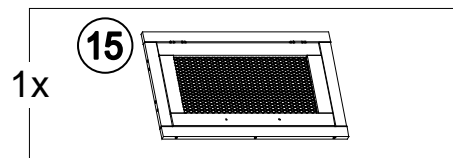
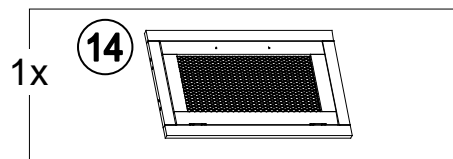
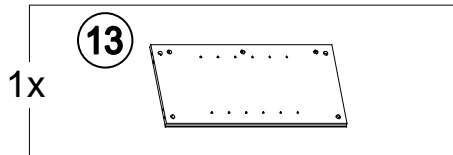
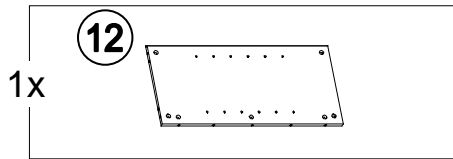
STEP 3



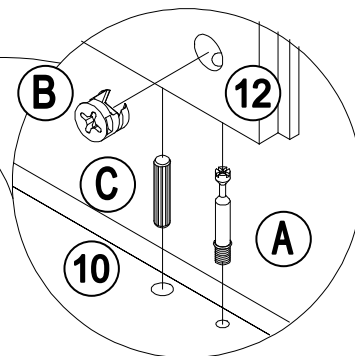
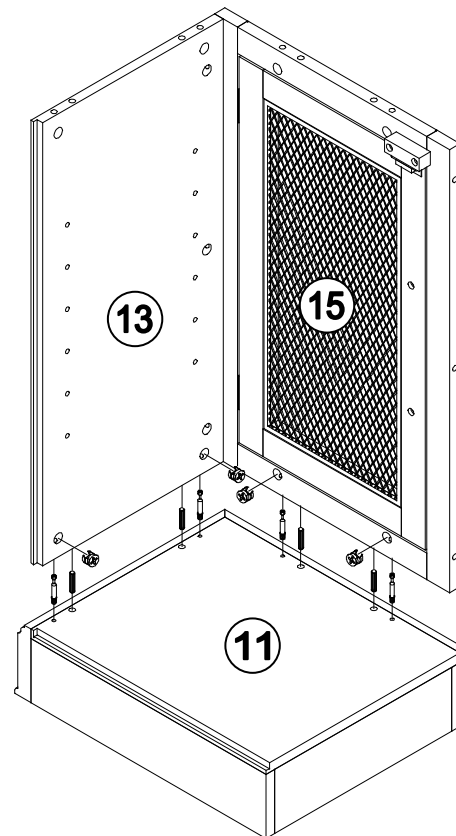
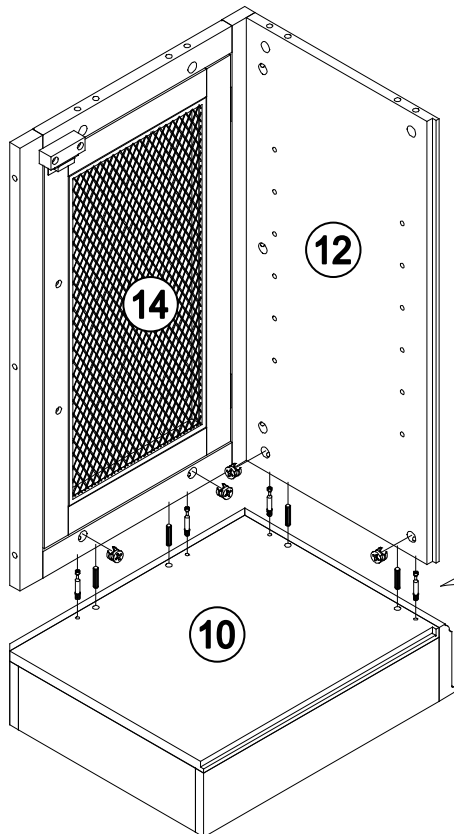
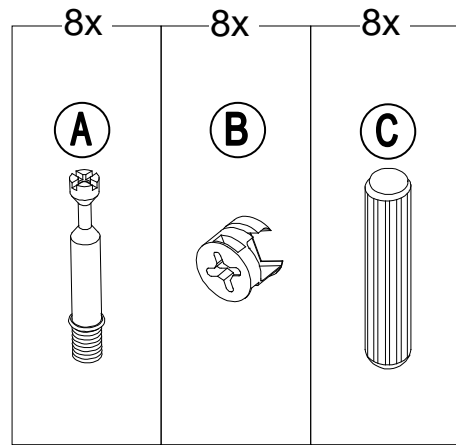
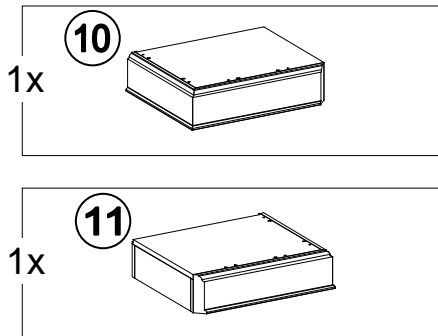
STEP 4



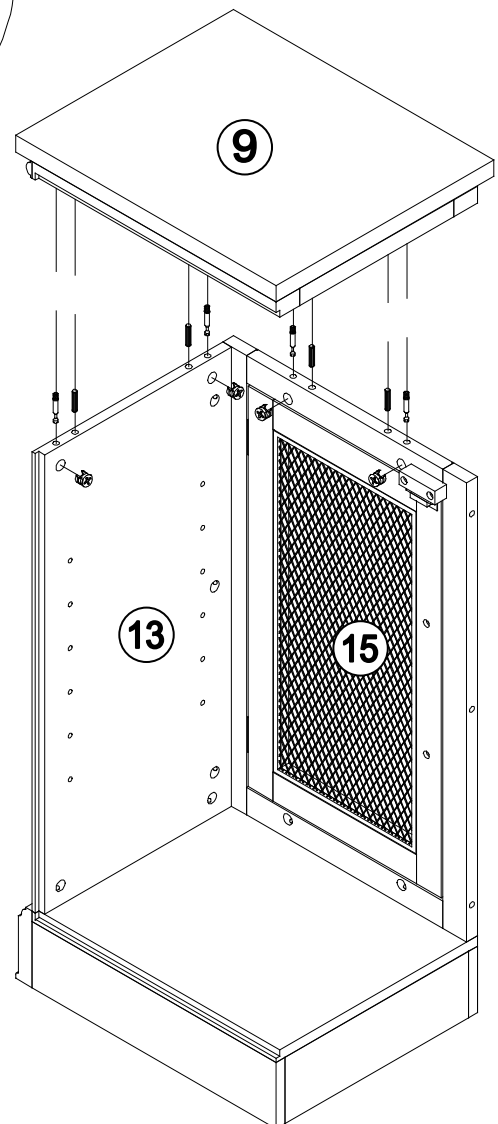
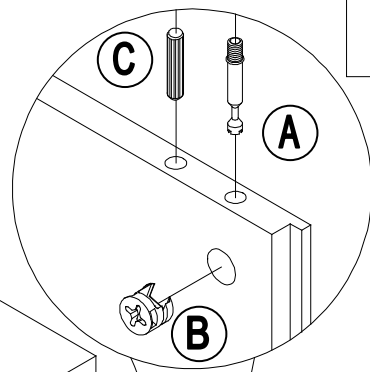
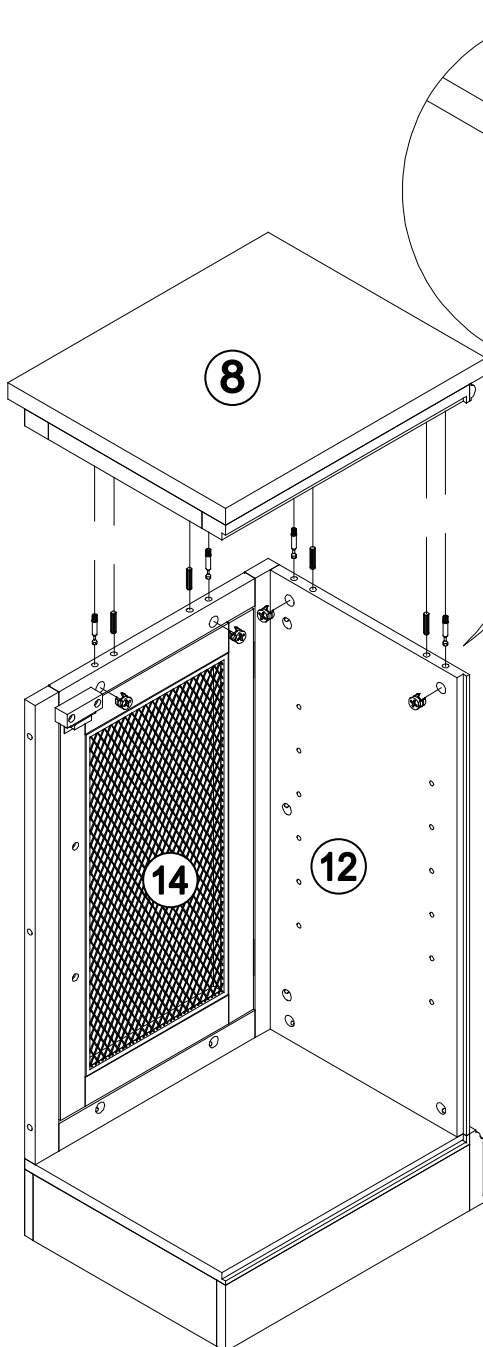
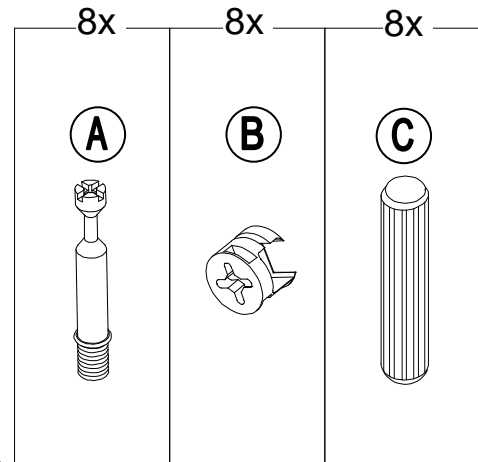
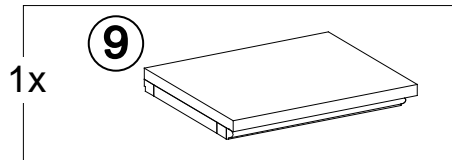
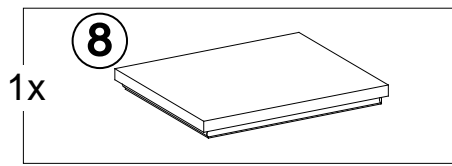
STEP 5



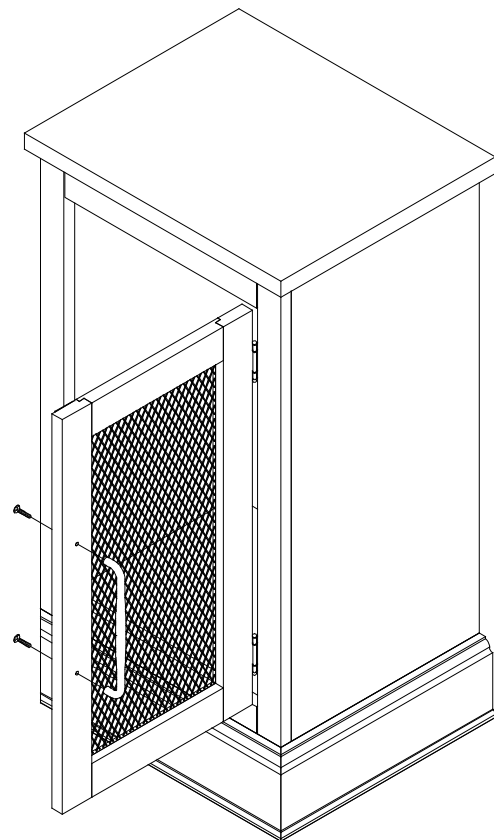
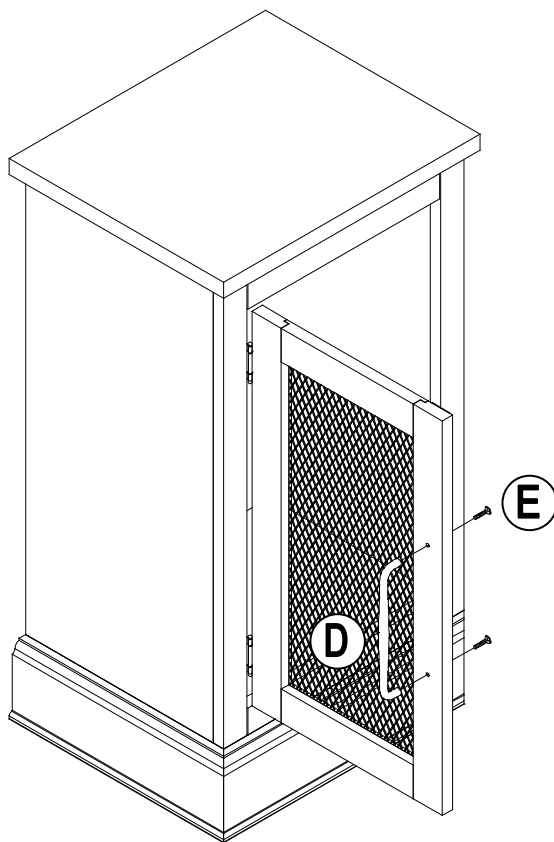
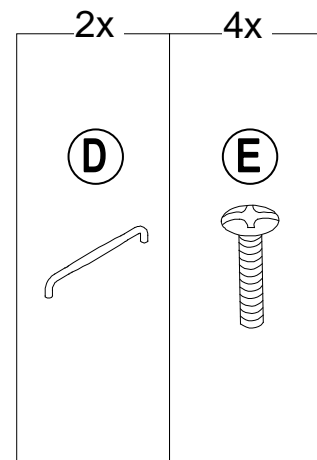
STEP 6



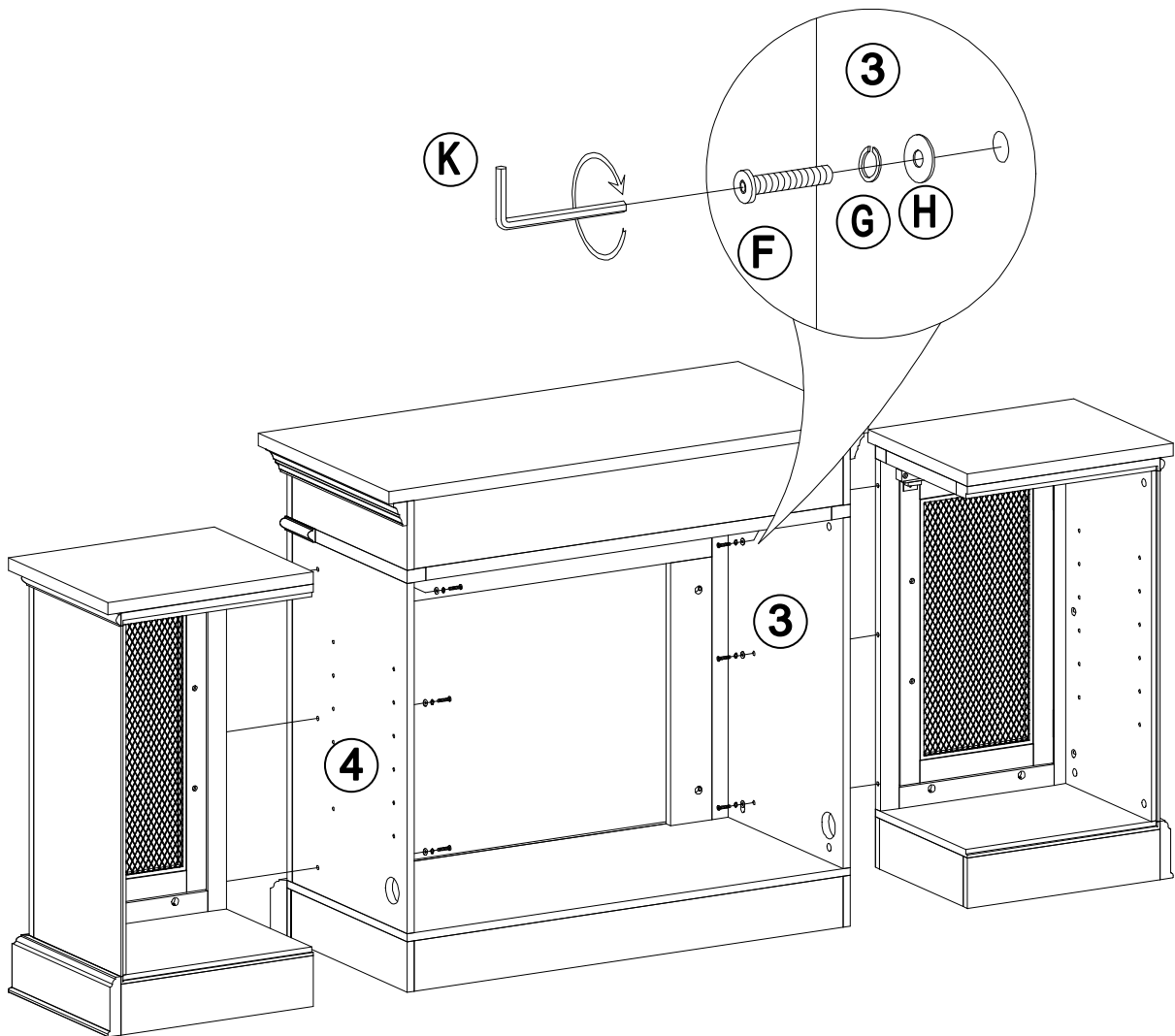
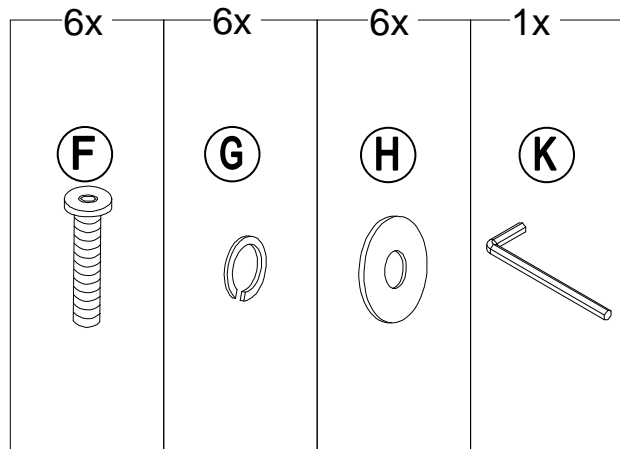
STEP 7



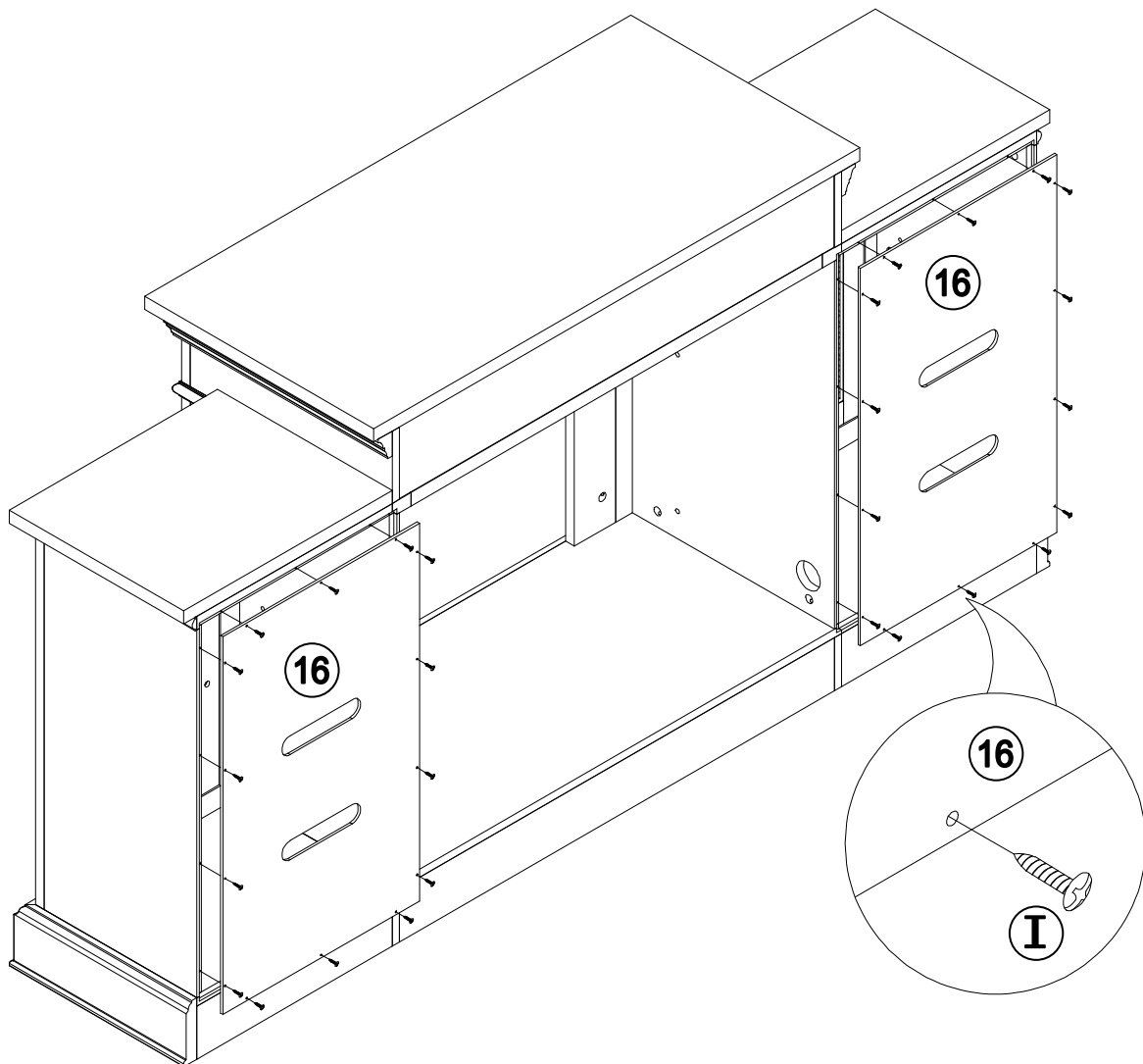
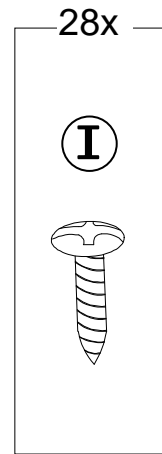
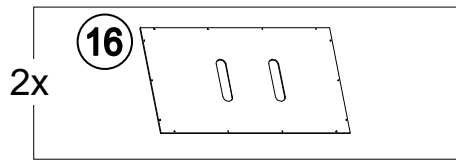
STEP 8



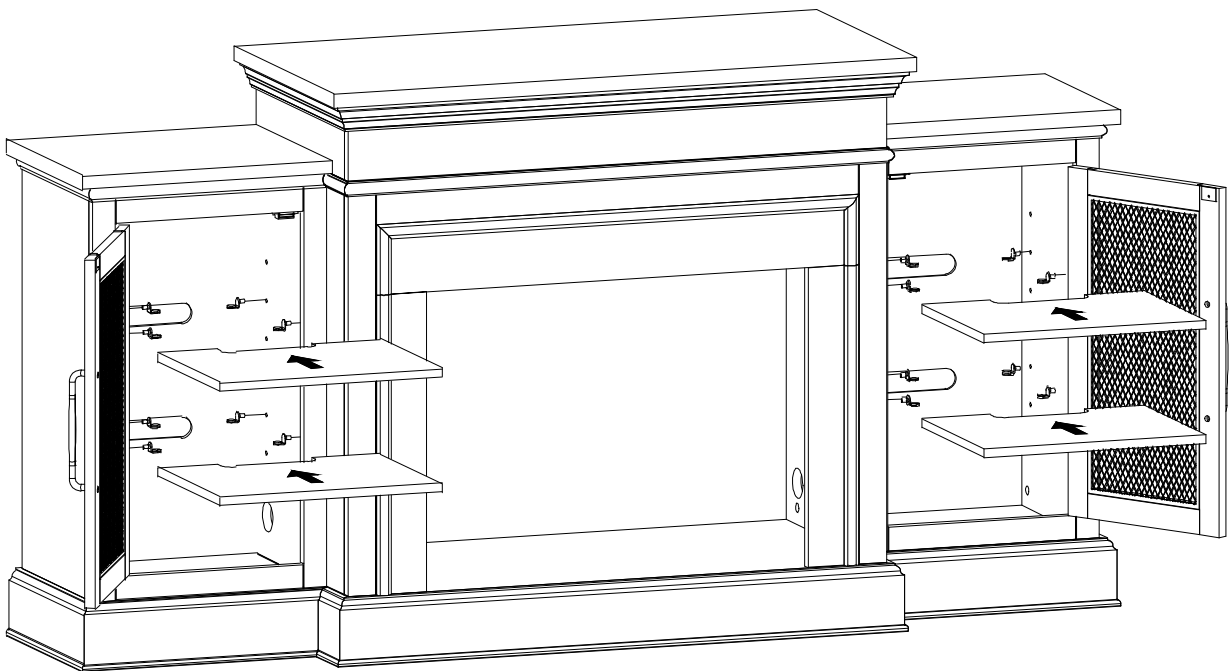
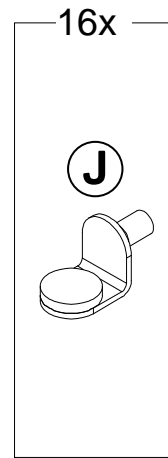
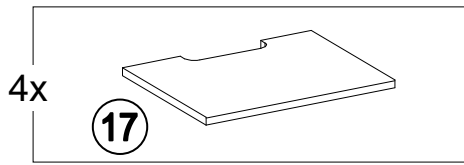
STEP 9



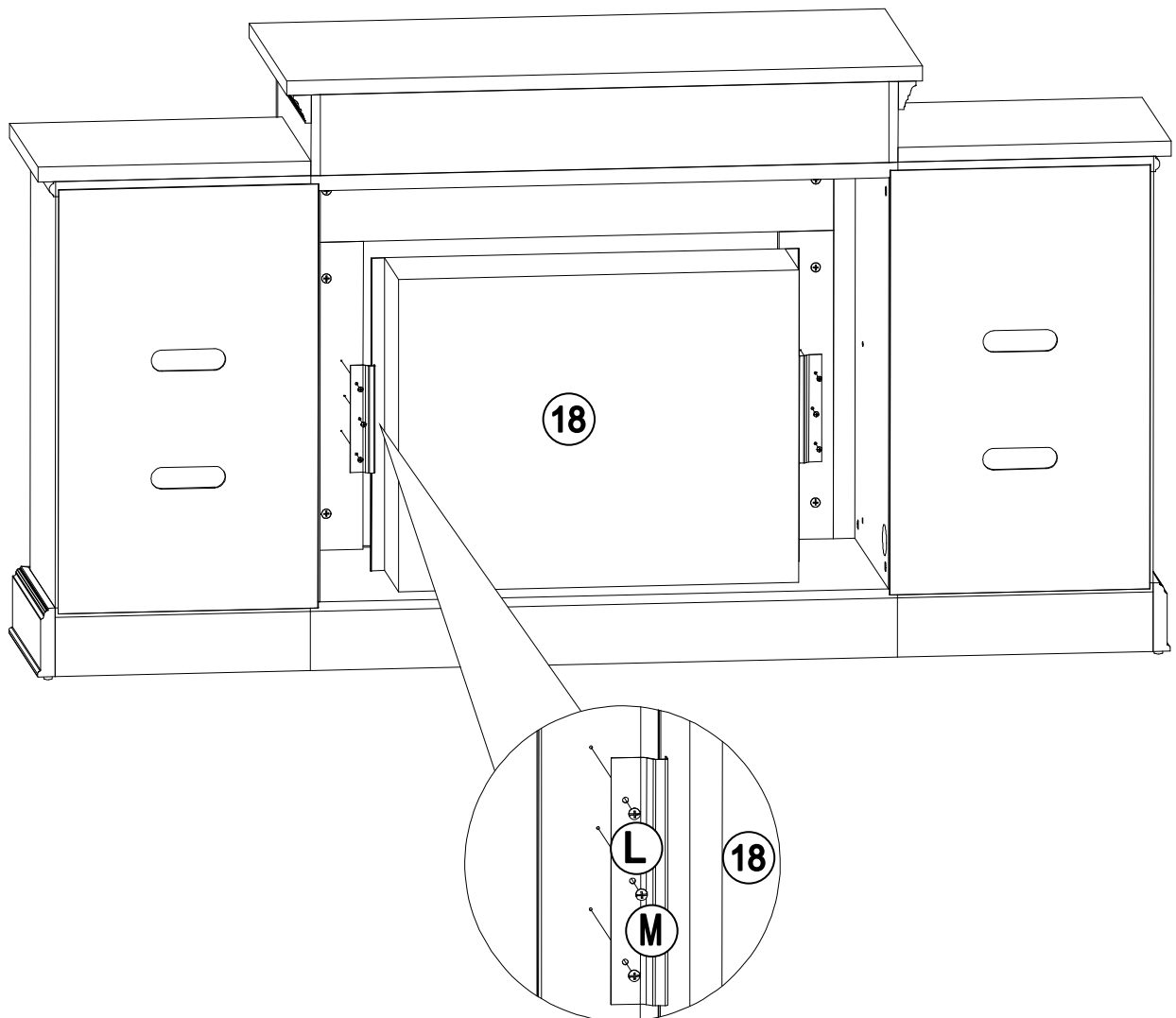
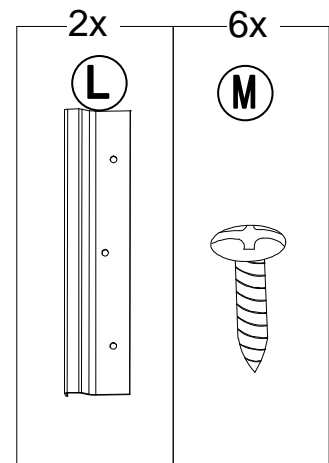
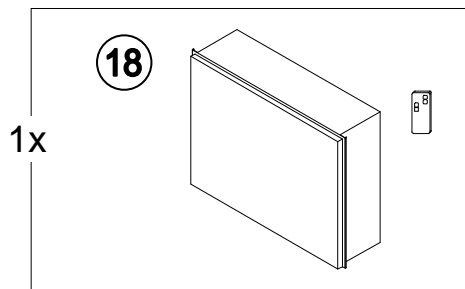
STEP 10



STEP 11



STEP 12



CARE AND MAINTENANCE

- Make sure the unit is turned OFF, unplugged and the heating elements of heater are cool whenever you are cleaning the heater or mantel.
- Use a soft, clean cloth that will not scratch the surface when dusting.
- Using solvents of any kind on your furniture may damage the finish.
- Never use water to clean your furniture as it may cause damage to the finish.
- Liquid spills should be removed immediately. Using a soft, clean cloth, blot the spill gently. Avoid rubbing.
- Always use protective pads under hot dishes and plates. Heat can cause chemical changes that may create potting within the furniture finish.
- It is best to keep your furniture in a climate-controlled environment. Extreme temperature and humidity changes can cause fading, warping, shrinking and splitting of wood. It is advised to keep furniture away from direct sunlight as sun may damage the finish.
- Proper care and cleaning at home will extend the life of your purchase. Following these important and helpful tips will enhance your furniture as it ages.

ONE-YEAR LIMITED WARRANTY

This limited warranty is extended to the original purchaser and applies to defects in material and workmanship of your item provided the item is maintained with care and used only for personal, residential purposes.

The manufacturer warrants this item is free of defects in material and workmanship for a period of one year. If any defect is found, please call our customer service department at **1-866-578-6569** or email at **customer.care@sunjoygroup.com** for help. The manufacturer will not cover transportation or delivery costs or compensate the individual or any outside party for assembling or disassembling the product.