

FRAMED MIRROR

SKU: F3MR2436MB

F3MR2436WT

F3MR2436BG

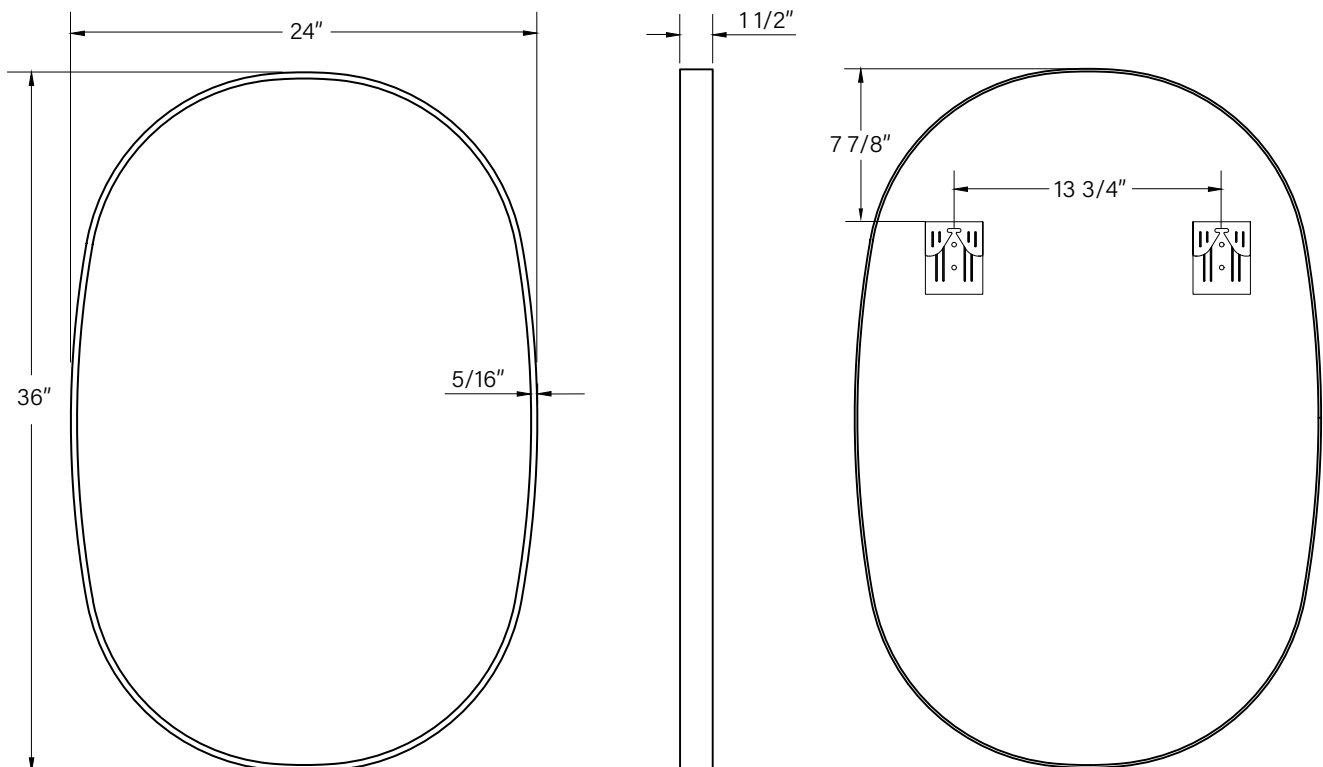
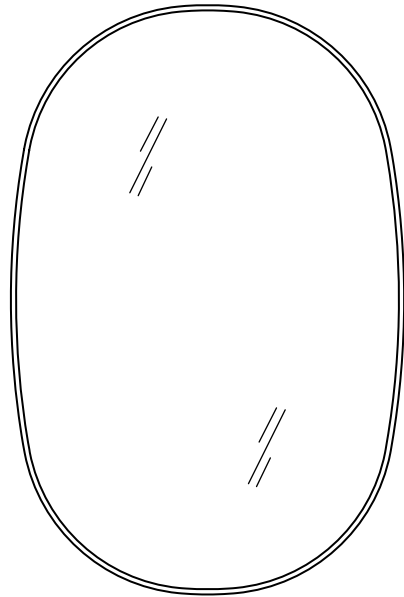
Colors/Finishes: Matte Black(MB), White(WT), Brushed Gold(BG)

Nominal Dimension: 24W*1.5D*36H inches

FEATURES:

- Durable aluminum frame
- Modern sloping edge design
- Eco-friendly coating mirror glass
- Long lasting color finish

PRODUCT DIAGRAMS:



All dimensions and specifications are nominal and may vary. Use actual products for accuracy in critical situations.

Mirror Installation

SUGGESTED TOOLS AND MATERIALS



Screwdriver



Level



Drill



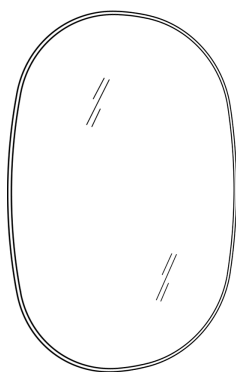
Tape Measure



Safety Glasses

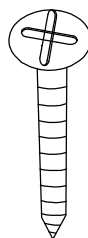
PARTS

①



MIRROR(1 PCS)

②



ST4.2*45(2 PCS)

③

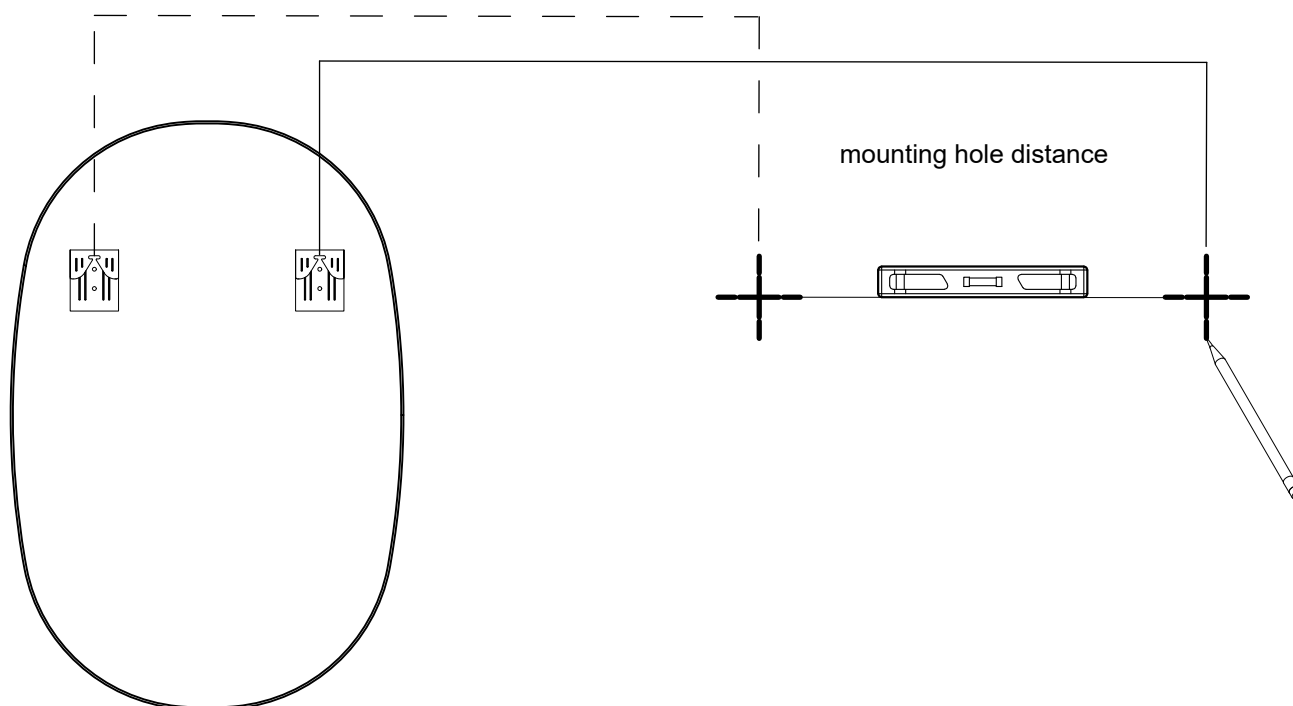


WALL PLUG(2 PCS)

INSTALLATION INSTRUCTIONS

STEP 1

Select the desired position of the mirror. Level and mark the mounting holes on the wall.

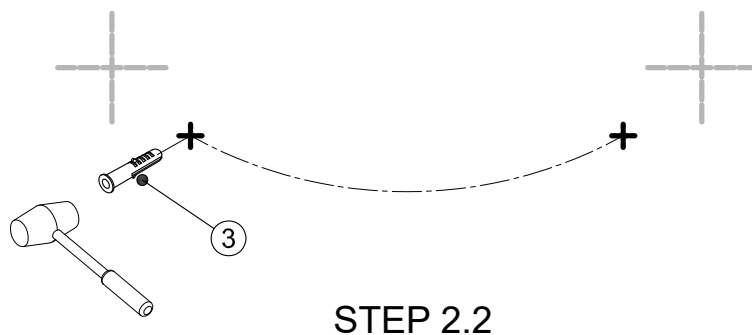
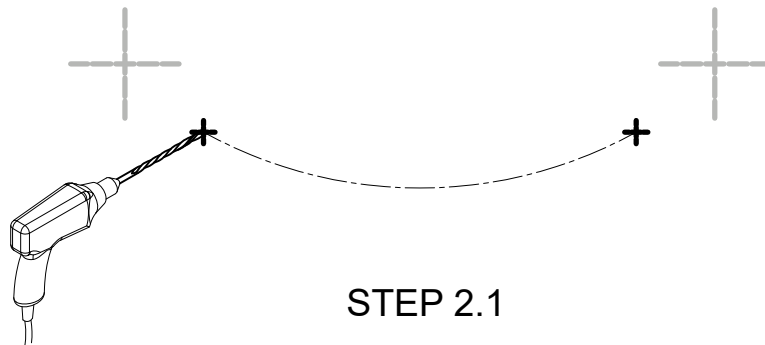


Mirror Installation

STEP 2

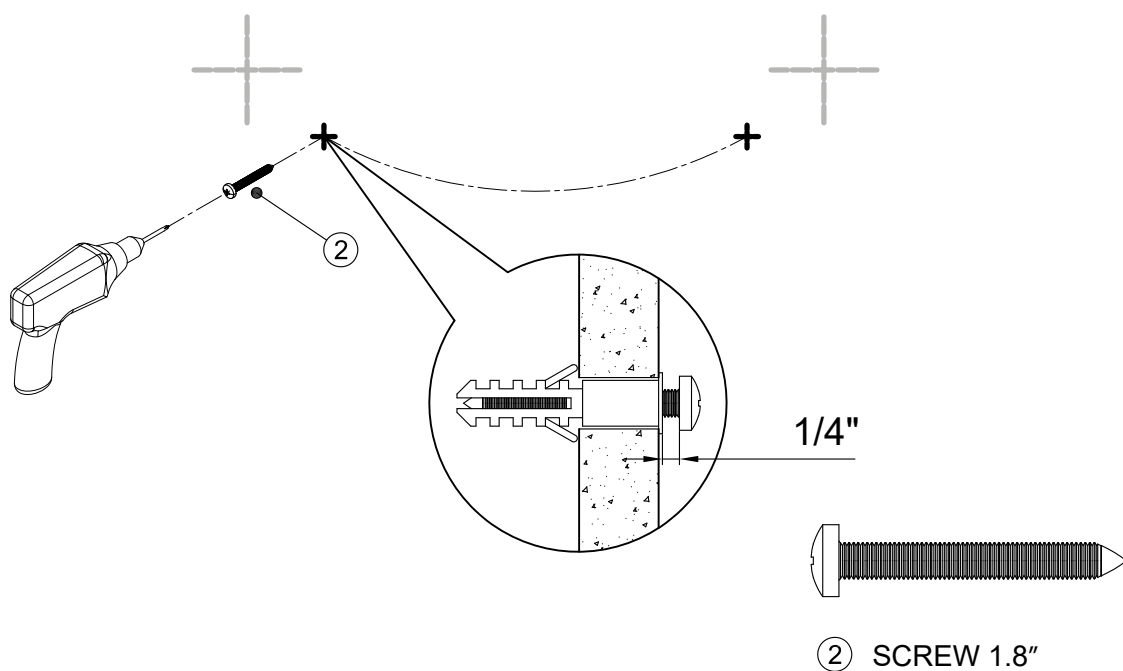
2.1 Drill holes about 2" deep at each of the marked locations.

2.2 Insert wall plugs (3).



STEP 3

Install Screw (2). Leave a gap of 1/4" between the head of the screw and the wall.



Mirror Installation

STEP 4

Place the mirror against the wall and slide it down, as shown in Figure 2.

