

# RF20HFENBSR

SAMSUNG

## Samsung 33" Wide 20 cu. ft. Capacity French Door Refrigerator



### Signature Features

#### Automatic Filtered Ice maker in Freezer

- Conveniently located in the freezer, Samsung's ice maker provides filtered ice cubes.

#### Twin Cooling System®

- Refrigerator air is kept at higher, near-commercial-grade humidity levels to keep perishable fruits and vegetables from spoiling quickly.\*
- Drier freezer air means less freezer burn for better-tasting frozen foods.

\* Twin Cooling® humidity levels up to 5x higher than single cooling systems.

#### LED Lighting

- Beautifully lights up the interior so you're able to quickly spot what you want.
- Sleek design saves more space than traditional incandescent light bulbs.

### Available Colors



Stainless Steel (shown)



Fingerprint Resistant  
Black Stainless Steel



White



French Door Design



Automatic Filtered Ice Maker in Freezer

### Features

- 20 cu. ft. Capacity
- 33" Wide
- Automatic Filtered Ice Maker in Freezer
- LED Lighting
- Twin Cooling System®
- Surround Air Flow
- Power Freeze and Power Cool Options
- Two Humidity-Controlled Crispers
- Tempered Glass Shelves
- Gallon Door Bins
- EZ-Open Handle™ on Freezer Door

### Convenience

- Door Alarm

### Rating

Meets DOE Standards:  
594 kWh/yr

# RF20HFENBSR

# SAMSUNG

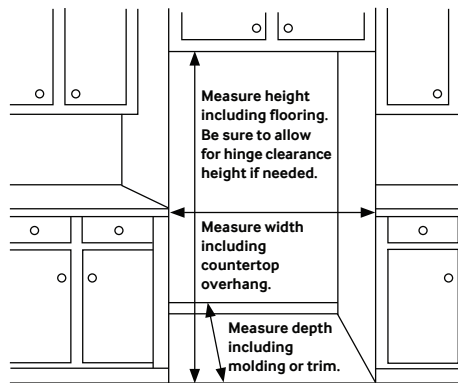
## Samsung 33" Wide 20 cu. ft. Capacity French Door Refrigerator

### Installation Specifications

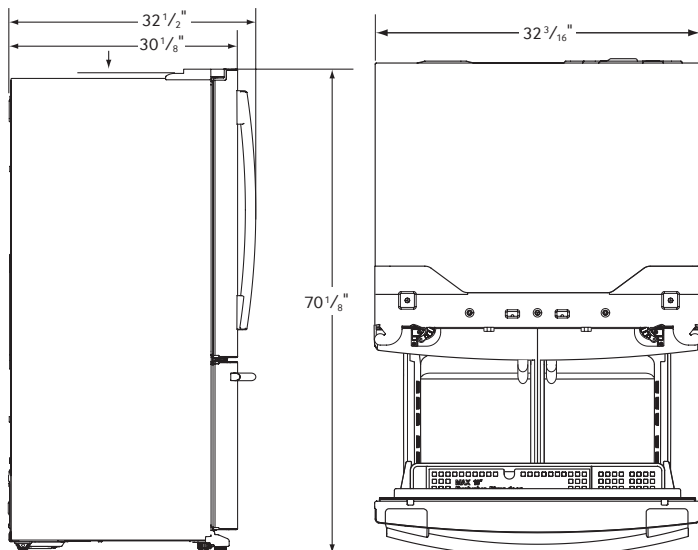
1. Measure the height, width and depth of the opening, making sure to include baseboards, molding tile, countertop overhang, etc. Check to be sure there is enough room to open the door (consider walls, islands or other obstacles when measuring).
2. Refer to illustration below to determine dimensions.
3. Allow 2.5" of clearance on hinge side of refrigerator when installing next to a wall where handle may make contact.
4. Allow 1" minimum clearance at rear for proper air circulation and water/electrical connections. Allow a 3/8" minimum clearance at sides and top for ease of installation.
5. Ensure each door and entryway in the home is wide enough for the refrigerator to be moved through easily.

For optimal usage and to be able to open refrigerator doors completely, do not install next to a wall.

Please note: The following dimension and cutout information is for planning purposes only. For complete installation details, consult manual packed with product, or download manual online at [samsung.com](http://samsung.com).



### Dimensions



**Total Capacity: 19.4 cu. ft.**

**Refrigerator: 12.8 cu. ft.**

- Surround Air Flow
- 2 Humidity-Controlled Crispers
- 3 Tempered Glass Shelves
- 2 Gallon Door Bins
- LED Lighting

**Freezer: 6.6 cu. ft.**

- EZ-Open Handle™
- Automatic Filtered Ice Maker (Cubed)
- LED Lighting

### Accessories

External Filter (not included)

### Warranty

One (1) Year Parts and Labor on Refrigerator  
Five (5) Years Parts and Labor on Sealed Refrigeration System Only\*  
Ten (10) Years Parts and Five (5) Years Labor on Digital Inverter Compressor

\*Compressor, evaporator, condenser, drier and connecting tubing.

### Product Dimensions & Weight

Dimensions (WxHxD with hinges, handles and doors):  
32<sup>3</sup>/<sub>16</sub>" x 70<sup>1</sup>/<sub>8</sub>" x 32<sup>1</sup>/<sub>2</sub>"

Dimensions (WxHxD without hinges and door):  
32<sup>3</sup>/<sub>16</sub>" x 68<sup>3</sup>/<sub>4</sub>" x 26<sup>5</sup>/<sub>16</sub>"

Dimensions (WxHxD with hinge and door, no handle):  
32<sup>3</sup>/<sub>16</sub>" x 70<sup>1</sup>/<sub>8</sub>" x 30<sup>1</sup>/<sub>8</sub>"

Weight: 243 lbs.

### Shipping Dimensions & Weight (WxHxD)

Dimensions: 34<sup>11</sup>/<sub>16</sub>" x 75<sup>1</sup>/<sub>16</sub>" x 32<sup>9</sup>/<sub>16</sub>"

Weight: 254 lbs.

### Color

Stainless Steel

Fingerprint Resistant

Black Stainless Steel

White

### Model #

RF20HFENBSR

RF20HFENBSG

RF20HFENBWW

### UPC Code

887276217697

887276247236

887276217703