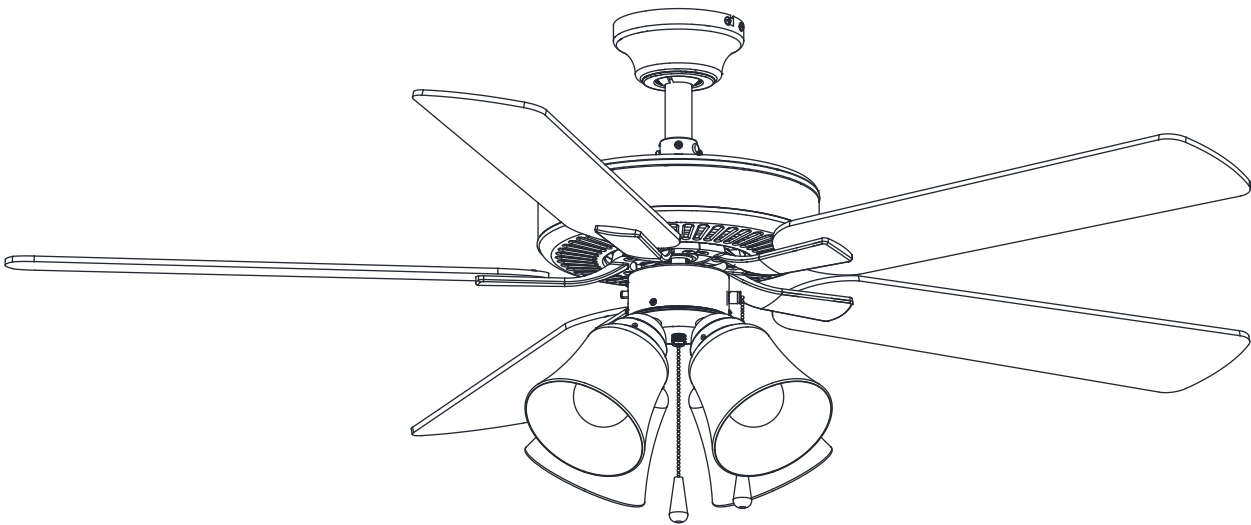


USE AND CARE GUIDE

52-INCH 5-BLADE INDOOR CEILING FAN



Customer Service Number: (832) 478-8866

Customer Service Email Address: WeCareWeFix@gmail.com

Please include your name, contact methods,
product name, and model number in the email.

Pictures are always helpful
for understanding the issues.

Table of Contents

Table of Contents	2	Assembly	6
Safety Information	2	Standard Ceiling Mounting	6
Warranty	3	Hanging the Fan	7
Pre-installation	3	Attaching the Fan Blades	8
Tools Required	3	Installing the Light Kit	8
Hardware Included	4	Fans Balance	9
Package Contents	4	Care and Cleaning	10
Wiring Diagram	5	Troubleshooting	10

Safety Information

1. To reduce the risk of electrical shock, ensure the electricity has been turned off at the circuit breaker or fuse box before beginning.
2. All wiring must be in accordance with the National Electrical Code NASI / NFPA 70-1999 and local electrical codes. Electrical installation should be performed by a qualified licensed electrician.
3. The outlet box and support structure must be securely mounted and capable of reliably supporting 35lbs(15.9kg). Use only UL listed outlet boxes marked "Acceptable for Fan Support of 35lbs(15.9kg)or less."
4. The fan must be mounted with a minimum of 7 ft. (2m) clearance from the trailing edge of the blades to the floor.
5. Do not operate the reversing switch while the fan blades are in motion. You must turn the fan off and stop the blades before you reverse the blade direction.
6. Do not place objects in the path of the blades
7. To avoid personal injury or damage to the fan and other items use caution when working around or cleaning the fan.
8. Electrical diagrams are for reference only. Light kits that are not packed with the fan must be UL-listed and marked suitable for use with the model fan you are installing. Switches must be UL General Use Switches. Refer to the instructions packaged with the light kits and switches for proper assembly.
9. After making electrical connections, spliced conductors should be turned upward and pushed carefully up into the outlet box. The wires should be spread apart with the grounded conductor and the equipment-grounding conductor on one side of the outlet box.
10. All set screws must be checked and retightened in all areas necessary before installation.
11. Suitable for use in damp locations. Use only with light kits marked "Suitable for use in damp locations".



WARNING: TO reduce the risk of personal injury, do not bend the blade brackets (also referred to as flanges) during assembly or after installation. Do not insert objects in the path of the blades .



WARNING: Remove the rubber motor stops on the bottom of the fan before installing the blades or testing the motor.



WARNING: To reduce the risk of fire or electric shock, do not use this fan with any solid-state speed control device.



WARNING:To avoid possible electrical shock, turn the electricity off at the main fuse box before wiring. If you feel you do not have enough electrical wiring knowledge or experience, contact a licensed electrician.



WARNING: Electrical diagrams are for reference only. Optional use of any light kit shall be UL-listed and marked suitable for use with this fan.



WARNING: To reduce the risk of fire, electric shock, or personal injury. mount to outlet box marked "Acceptable for fan support of 35 lbs.(15.9 kg)or less." and use the screws provided with the outlet box.

Warranty

The supplier warrants the fan motor to be free from defects in workmanship and material present at time of shipment from the factory for a lifetime after the date of purchase by the original purchaser. The supplier also warrants that all other fan parts, excluding any glass or acrylic blades, to be free from defects in workmanship and material at the time of shipment from the factory for a period of one year after the date of purchase by the original purchaser. We agree to correct such defects without charge or at our discretion replace with a comparable or superior model if the product is returned. To obtain warranty service, you must present a copy of the receipts proof of purchase. All costs of removing and reinstalling the product are your responsibility. Damage to any part, such as by accident, misuse, improper installation or by affixing any accessories, is not covered by this warranty. Because of varying climatic conditions this warranty does not cover any changes in brass finish, including rusting, pitting, corroding, tarnishing or peeling. Brass finishes of this type wear best when protected from varying weather conditions. A certain amount of "wobble" is normal and should not be considered a defect. Servicing performed by unauthorized persons shall render the warranty invalid. There is no other express warranty. Hereby disclaims any and all warranties, including but not limited to those of merchantability and fitness for a particular purpose to the extent permitted by law. The duration of any implied warranty which cannot be disclaimed is limited to the time period as specified in the express warranty. Some states do not allow a limitation on how long an implied warranty lasts, so the above limitation may not apply to you. The retailer shall not be liable for incidental, or special damages arising out of or in connection with product use or performance except as may otherwise be accorded by law. Some states do not allow the exclusion of incidental or consequential damages, so the above exclusion or limitation may not apply to you. This warranty gives specific legal rights, and you may also have other rights which vary from state to state. This warranty supersedes all prior warranties. Shipping costs for any return of products as part of a claim on the warranty must be paid by the customer.

Pre-Installation

SPECIFICATION

Size	Speed	Volts	Amps	Watts	RPM	CFM	Net Weight	Gross Weight	Cube Feet
52"	Low	120	0.21	11	65	1905	(16.2lbs)	(18.7lbs)	(2.0cu. ft)
	Medium		0.34	28	110	3325			
	High		0.47	57	155	4587			

The above data is for reference only. The motor speed of each ceiling fan varies.



NOTE: These are approximate measures. They do not include the amps and wattage used by the light kit.

Specifications & measurements shown are subject to + 5% variations.

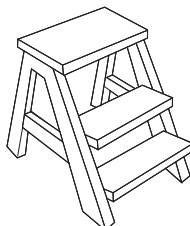
TOOLS REQUIRED



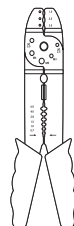
Phillips screwdriver



Flat blade screwdriver



Step ladder



Wire stripper



Electrical tape

Pre-Installation(continued)

Hardware Included

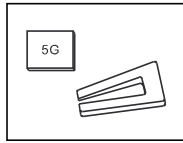


NOTE:Hardware not shown to actual size.

AA	Blade attachment screws	16
BB	Balanced parts package	1
CC	Plastic wire nut(not to scale)	3
DD	Outlet box screws and Flat washers	2
EE	Pull chain	2



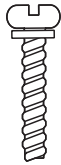
AA



BB



CC



DD

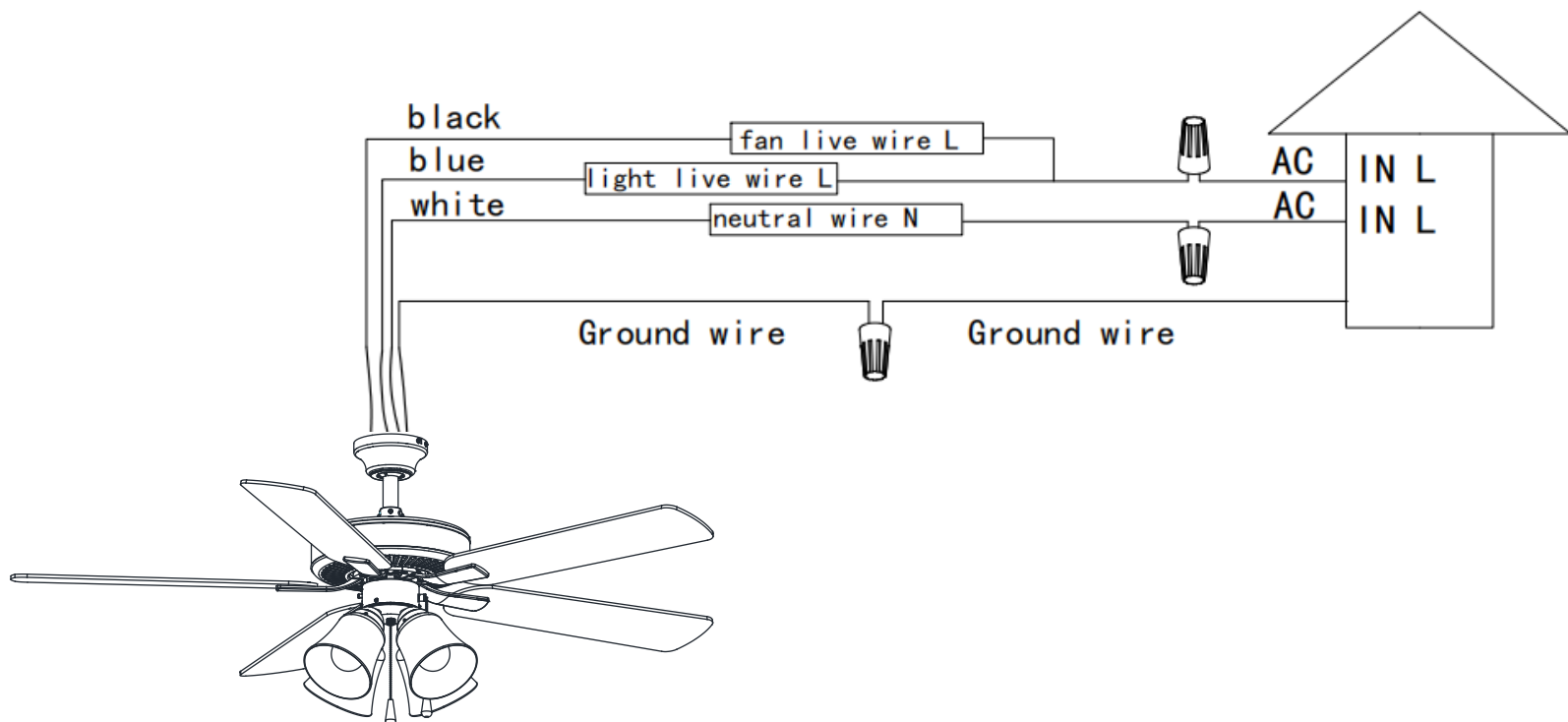


EE

PACKAGE CONTENTS

<p>A Fan-motor assembly 1</p>	<p>B Bulbs 4</p>	<p>C Shades 4</p>
<p>D Light Kit 1</p>	<p>E Blade 5</p>	
<p>F Slide-on mounting bracket (inside canopy) 1</p>		
<p>G Canopy 1</p>	<p>H 10.8CM Ball/downrod assembly 1</p>	<p>I Blade bracket 5</p>

Fan Wiring Diagram



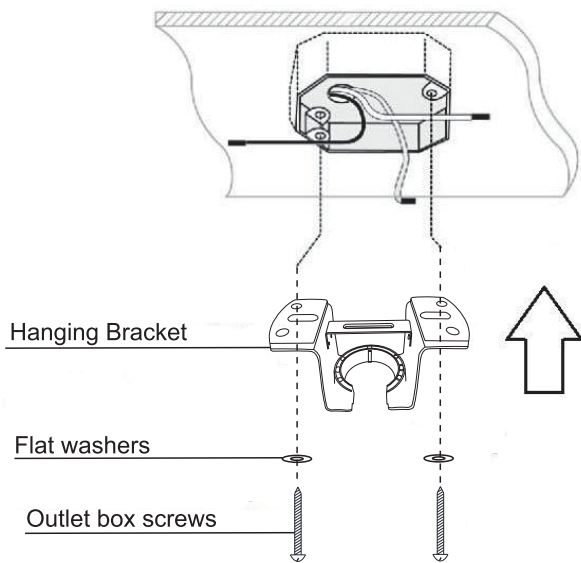
Fan Wiring Instructions:

Three cables are reserved for the FAN host: black(FAN L),white(N),and blue(Light L)

Connect the white (N)wire to the neutral wire on the wall. Connect the black (FAN L)live wire and the blue(Light L)

Light wire together to the live wire on the wall. The fan cable (Green)connects to the ground cable on the wall.

Assembly - Standard Ceiling Mount



⚠CAUTION: Be sure outlet box is grounded properly and that a ground wire (green or bare) is present.

Partially loosen screws in slotted holes of the ceiling fan canopy. Remove the other 2 screws (along with the star washers) -save for later use. Twist canopy to remove the hanging bracket.

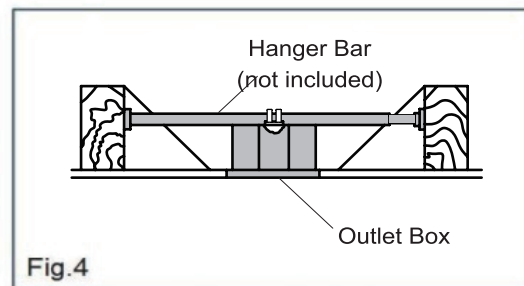
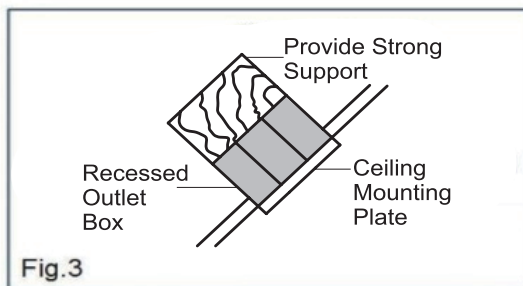
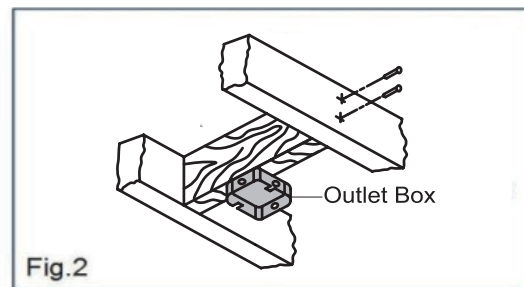
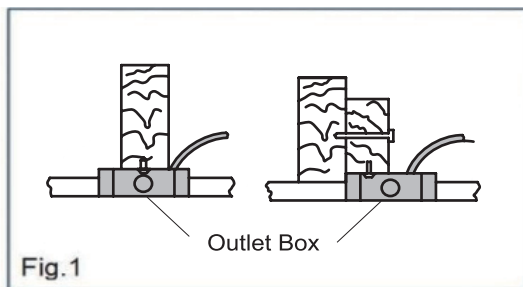
Install hanging bracket to outlet box using original screws, spring washers and flat washers provided with new or original outlet box. If installing on a vaulted ceiling, face opening of Hanging Bracket towards high point of ceiling. Arrange electrical wiring around the back of the hanging bracket and away from the hanging bracket opening.

⚠CAUTION: It is very important that you use the proper hardware when installing the hanging bracket as this will support the weight of the fan.

ELECTRICAL OUTLET BOX

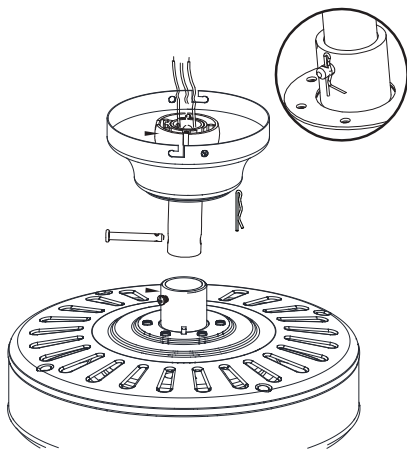
WARNING: Contact a qualified electrician to replace the outlet box if it is not suitable for ceiling fans

- 1 . If there is an existing outlet box, ensure it is clearly marked " Suitable For Fan Support ".
If not, it must be replaced with an approved one.
- 2 . Secure the outlet box (or make sure the existing box is secured) directly to the building structure.
Use appropriate fasteners and building materials.
Wood joist and outlet box must be able to support a minimum of 50 pounds.
- 3 . Figure 1, 2 and 3 are examples of diiferent ways to mount the outlet box in different situations.
- 4 . To hang in the fan in locations where no ceiling joists are available,
a hanger support bar may be required.



Assembly – Hanging the Fan

1.install downrod assembly



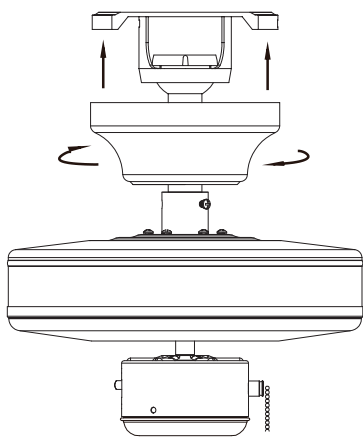
- 1.Thread the suspender through the suspended clock and coupling cover.
- 2.Then insert the tail of the suspender from the lifting head of the motor.
- 3.After the lateral pin is threaded out from the suspended head position, insert R type pin.
- 4.Tighten the lifting head screws.
- 5.Hang the fan of the hanging pipe into the hanger.



Phillips
screwdriver

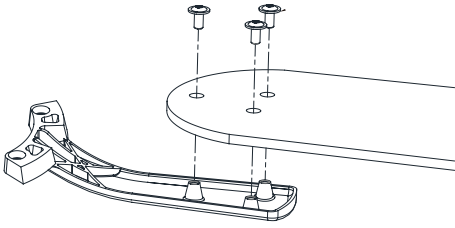
Assembly – Hanging the Fan(continued)

Preparing for mounting

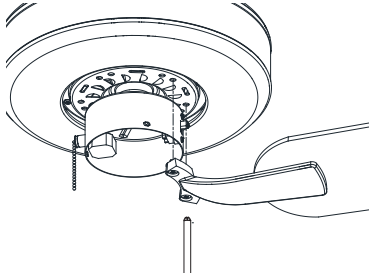


- 1.Lift the fan motor assembly up to the mounting bracket and seat the hanger ball in the mounting bracket socket.
- 2.Rotate the fan motor assembly until the check groove drops into the registration slot and seats firmly. The downrod should not rotate if the is done correctly.

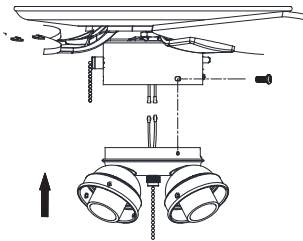
Installation- Blade and Light Parts



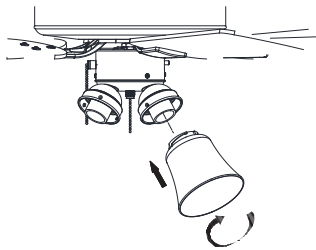
1.Attach blades to blade brackets.
Total of 5 blades and 15 screws.



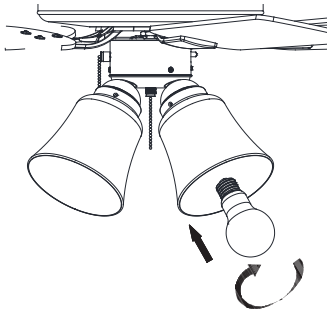
2.Attach blade brackets to motor.



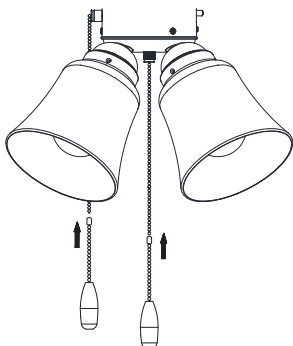
3.Attach light kit.



4.Install shade.



5.Install bulbs.
Follow the arrows as shown.

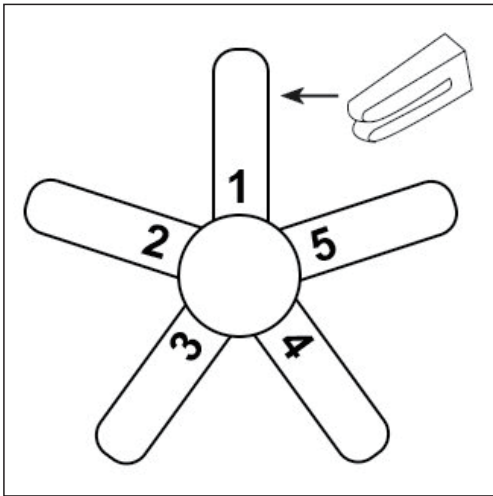


6.Install pull chain.

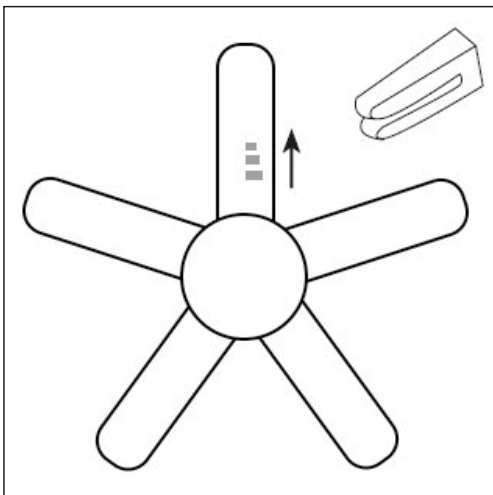


⊕ Phillips
screwdriver

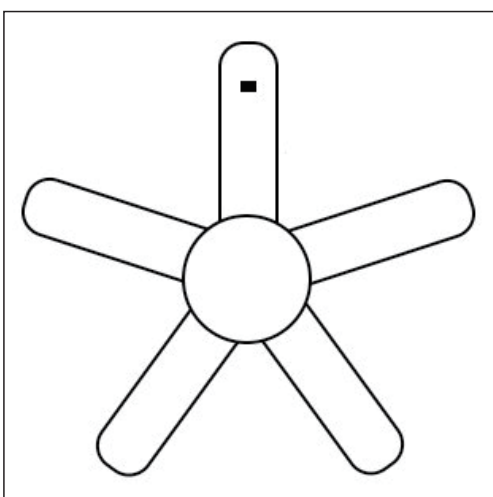
Fans Balance



Put the clip in the center of a blade.
Turn on the fan and if the shake persists,
put the clip in another blade until the shake
is reduced. Then this blade will need the
counterweight.



Place the clip on the blade that needs the
counterweight and try the best place to
place it, from the center to the tip of the
blade, until the wobble disappears.



Paste the counterweight on the surface of
the blade which near the clip, remove the
clip and test the fan. If it keep staggering,
put another counterweight. If it gets worse,
try another area to place it.
Please wait patiently until the fan is balanced.

Care and Cleaning



WARNING: Make sure the power is off before cleaning your fan.

- Because of the fan's natural movement, some connections may become loose. Check the support connections, brackets, and blade attachments twice a year. Make sure they are secure. It is not necessary to remove the fan from the ceiling.
- Clean your fan periodically to help maintain its new appearance over the years. Do not use water when cleaning, as this could damage the motor or the wood, or possibly cause an electrical shock. Use only a soft brush or lint-free cloth to avoid scratching the finish. The plating is sealed with a lacquer to minimize discoloration or tarnishing.
- You can apply a light coat of furniture polish to the wood for additional protection and enhanced beauty. Cover small scratches with a light application of shoe polish.
- You do not need to oil your fan. The motor has permanently-lubricated sealed ball bearings.

Troubleshooting

Problem	Solution
The fan will not start.	<ul style="list-style-type: none"> <input type="checkbox"/> Check the main and branch circuit fuses or breakers. <input type="checkbox"/> Check the line wire connections to the fan and switch wire connections in the switch housing.
The fan is noisy.	<ul style="list-style-type: none"> <input type="checkbox"/> Ensure all motor housing screws are snug. <input type="checkbox"/> Ensure the screws that attach the fan blade bracket to the motor hub are tight. <input type="checkbox"/> Ensure the wire nut connections are not ratting against each other or the interior wall of the switch housing. <input type="checkbox"/> Allow a 24-hour "breaking in" period. Most noises associated with a new fan disappear during this time. <input type="checkbox"/> If you are using the Ceiling Fan light kit, ensure the screws securing the glassware are tight. <input type="checkbox"/> Check that the light bulbs are also secure. <input type="checkbox"/> Ensure the canopy is a short distance from the ceiling. It were used not touch the ceiling. <input type="checkbox"/> Ensure your outlet box is secure and rubber isolator pads were used between the mounting plate and outlet box.
The fan wobbles.	<ul style="list-style-type: none"> <input type="checkbox"/> Check that all blade and blade arm screws are secure. <input type="checkbox"/> Most fan wobble problems are caused when blade levels are unequal. <input type="checkbox"/> Check this level by selecting a point on the ceiling above the tip of one of the blades. <input type="checkbox"/> Measure from a point on the center of each blade to the point on the ceiling. <input type="checkbox"/> Measure this distance. Rotate the fan until the next blade is positioned for measurement. <input type="checkbox"/> Repeat for each blade. Any measurement deviation should be within 1/8 in. Run the fan for ten minutes. <input type="checkbox"/> If the fan continues to wobble please contact Customer Service and a balancing kit will be sent to you at no charge.