

# "Narita" Corner TV/Media Stand

MS987100TX Walnut Finishing

MS986100TX Black Finishing

## Assembly Instructions



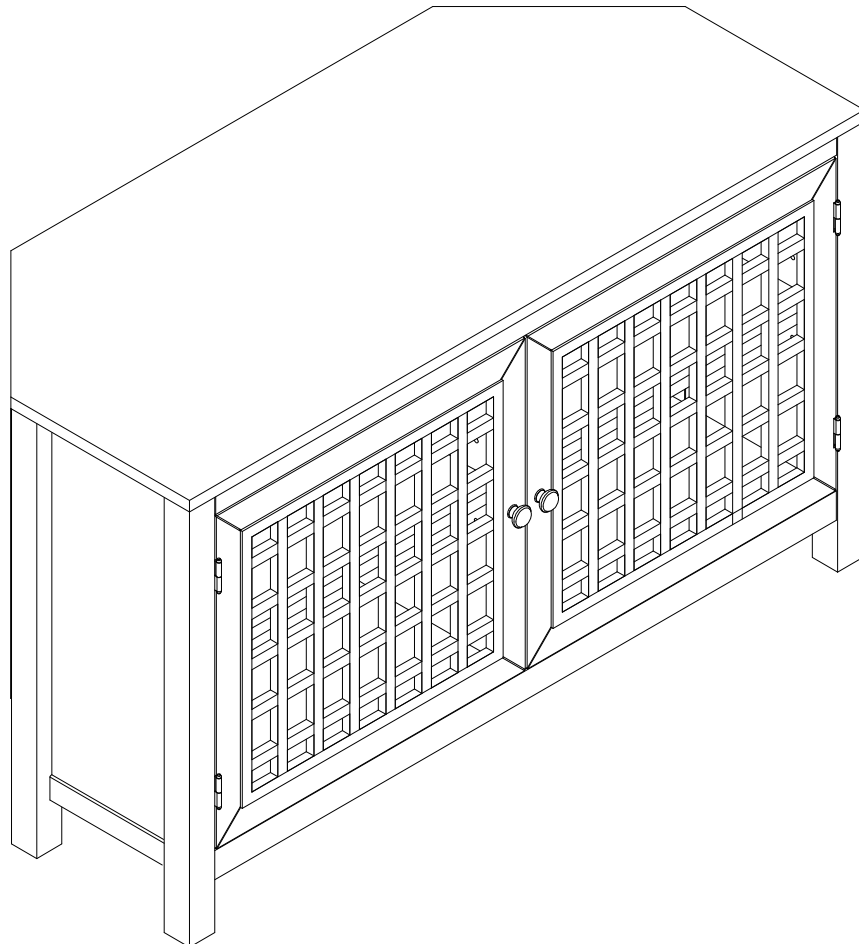
Southern  
ENTERPRISES

For assistance with assembly contact:  
Southern Enterprises Inc.

Customer Service 1-800-633-5096

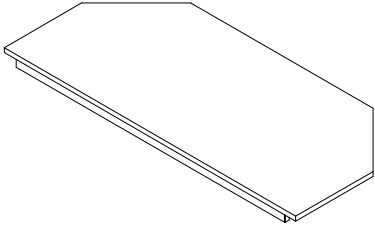
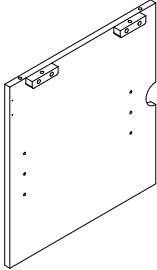
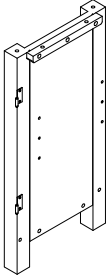
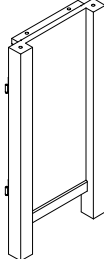
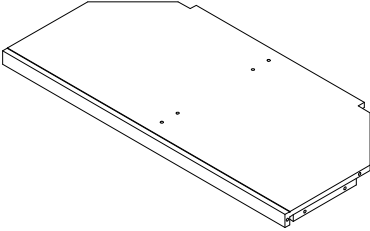


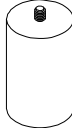
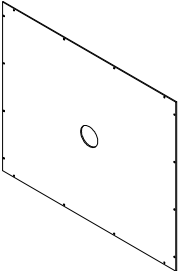
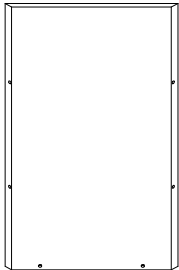
[service@seidal.com](mailto:service@seidal.com)

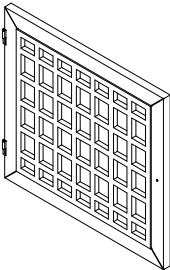
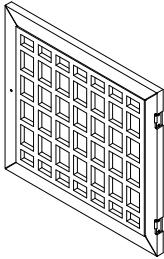
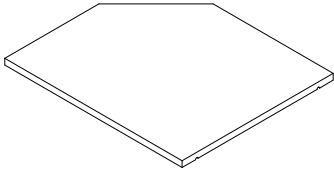
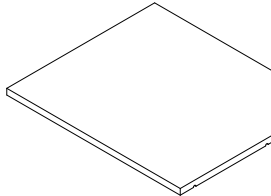

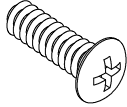
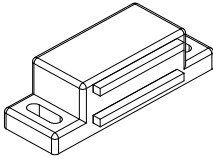
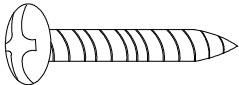

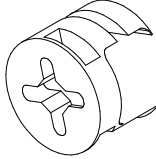
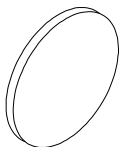
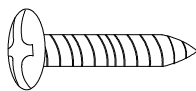
[www.seidal.com](http://www.seidal.com)

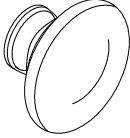
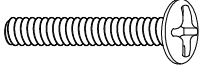
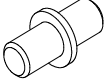
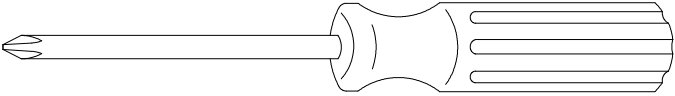


# "Narita" Corner TV/Media Stand Parts List

Please review all parts and hardware before disposing of any packaging.  
 Call Customer Service if missing hardware.  
 Using a screw that is too long will cause damage.  
 Before beginning assembly, separate each type of screw. Carefully study the  
 screw diagrams below. You may receive extra hardware with your unit.

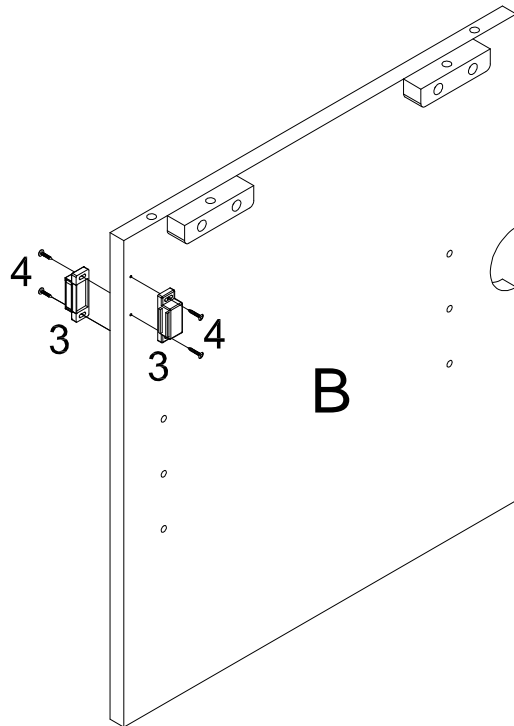
<p><b>A</b></p>  <p>Top Panel</p>	<p>Quantity of 1</p>	<p><b>B</b></p>  <p>Middle Panel</p>	<p>Quantity of 1</p>
<p><b>C</b></p>  <p>Left Side Panel</p>	<p>Quantity of 1</p>	<p><b>D</b></p>  <p>Right Side Panel</p>	<p>Quantity of 1</p>
<p><b>E</b></p>  <p>Bottom Panel</p>	<p>Quantity of 1</p>	<p><b>F</b></p>  <p>Left Support Post</p>	<p>Quantity of 1</p>
<p><b>G</b></p>  <p>Right Support Post</p>	<p>Quantity of 1</p>	<p><b>H</b></p>  <p>Adjustable Middle Foot</p>	<p>Quantity of 1</p>
<p><b>I</b></p>  <p>Middle Back Panel</p>	<p>Quantity of 1</p>	<p><b>J</b></p>  <p>Side Back Panel</p>	<p>Quantity of 2</p>

<p><b>K</b></p>  <p>Quantity of 1</p> <p>Left Door</p>	<p><b>L</b></p>  <p>Quantity of 1</p> <p>Right Door</p>
<p><b>M</b></p>  <p>Quantity of 2</p> <p>Left Shelf</p>	<p><b>N</b></p>  <p>Quantity of 1</p> <p>Right Shelf</p>
<p><b>(1)</b></p>  <p>Quantity of 14</p> <p>Wood Dowel(8*30mm)</p>	<p><b>(2)</b></p>  <p>Quantity of 14</p> <p>1/4" x 1" Bolt</p>
<p><b>(3)</b></p>  <p>Quantity of 2</p> <p>Magnet</p>	<p><b>(4)</b></p>  <p>Quantity of 4</p> <p>Screw For Magnet(3*14mm)</p>
<p><b>(5)</b></p>  <p>Quantity of 2</p> <p>Cam Bolt</p>	<p><b>(6)</b></p>  <p>Quantity of 2</p> <p>Cam Lock</p>
<p><b>(7)</b></p>  <p>Quantity of 2</p> <p>Cam Lock Cover</p>	<p><b>(8)</b></p>  <p>Quantity of 28</p> <p>Screw For Back Panel (3.5*16mm)</p>

<p><b>(9)</b></p>  <p>Quantity of 2</p> <p>Metal Handle</p>	<p><b>(10)</b></p>  <p>Quantity of 2</p> <p>Bolt For Handle(5/32"*22mm)</p>
<p><b>(11)</b></p>  <p>Quantity of 8</p> <p>Metal Pin</p>	
<p><b>Care and Cleaning Instructions:</b> Before using, wipe with a clean, dry cloth. Periodically apply furniture wax to renew the finish. Avoid rubbing or scratching the surface with rough or abrasive objects.</p>	<p>Call Customer Service at 1-800-633-5096 Please call Manufacturer for assistance, questions or Parts.</p>
<p><b>Assembly Tool Required</b> <b>No.2 Phillis Screwdriver (Not Included)</b></p>	

# "Narita" Corner TV/Media Stand

## Assembly Instructions

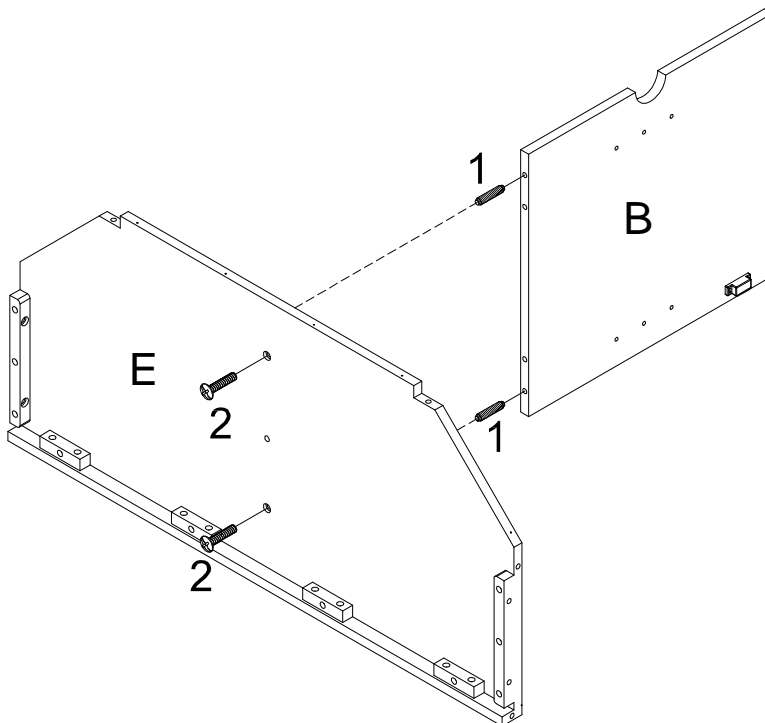


**Figure 1**

Assembly Instructions:  
Wood may scratch easily. Be careful when assembling. Do not scratch

Unpack and lay parts on clean, padded surface like carpet or blanket. Check that you have all parts in dictated on the front page

Attach the Magnet (3) to the Middle Panel (B) with Screw (4) For Magnet, then fasten them by Phillips Screwdriver (Not Included)

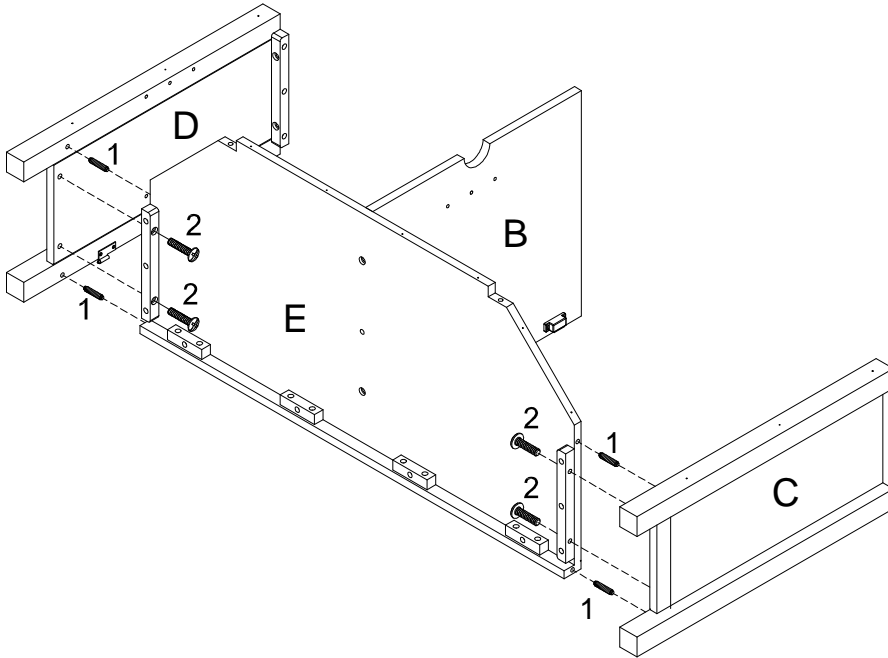


**Figure 2**

Insert the wood dowel (1) into the predrilled holes in Middle panel (B) and Bottom Panel (E), then insert the bolt (2) into the bottom Panel and fasten them.

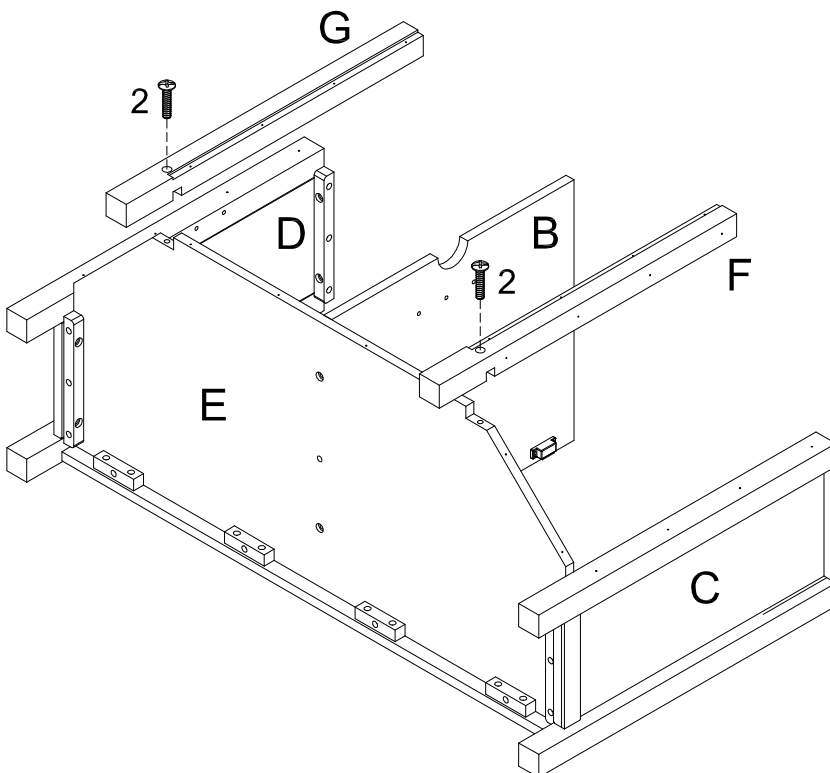
# "Narita" Corner TV/Media Stand

## Assembly Instructions



**Figure 3**

Attach side panels (C, D) to the Bottom Panel (E) with Bolt (2) and Wood dowel (1); then fasten them.

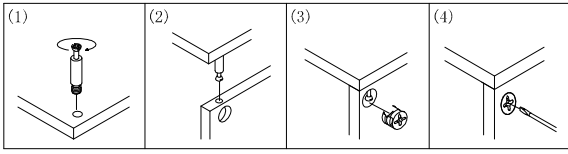


**Figure 4**

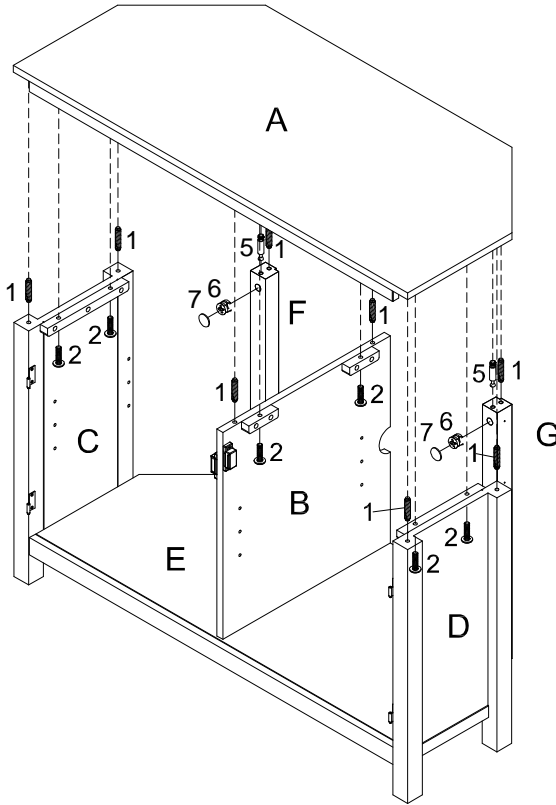
Attach the Support Post (F, G) to the Bottom Panel (E) by Bolt (2), and then fasten them.

# "Narita" Corner TV/Media Stand

## Assembly Instructions



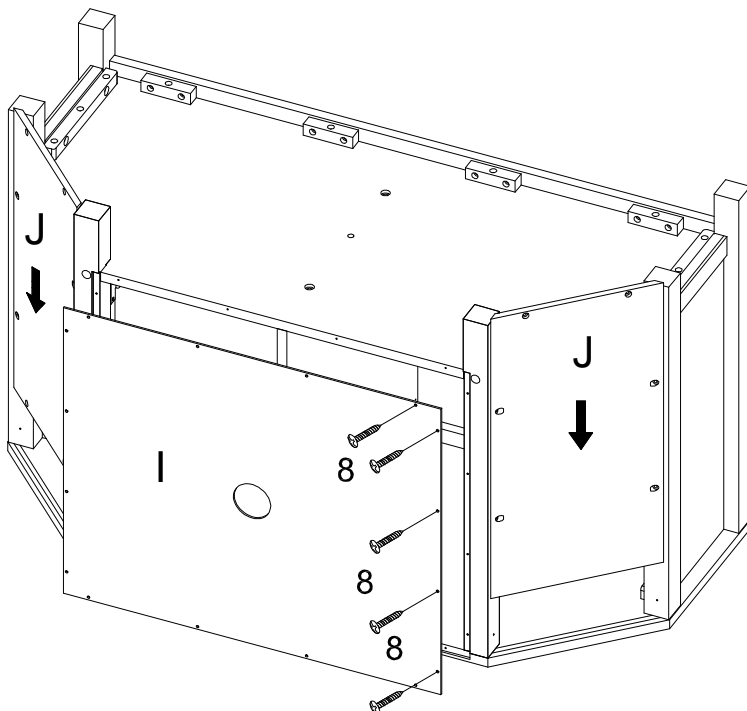
"Please do not over tighten cambolts. Please stop when you feel tight"



**Figure 5**

Screw Cam Bolt (5) into the pre-drilled holes on Top Panel (A) and insert the wood Dowel (1) into the pre-drilled holes in the Middle Panel (B), side Panel (C, D) and Support Post (F, G).

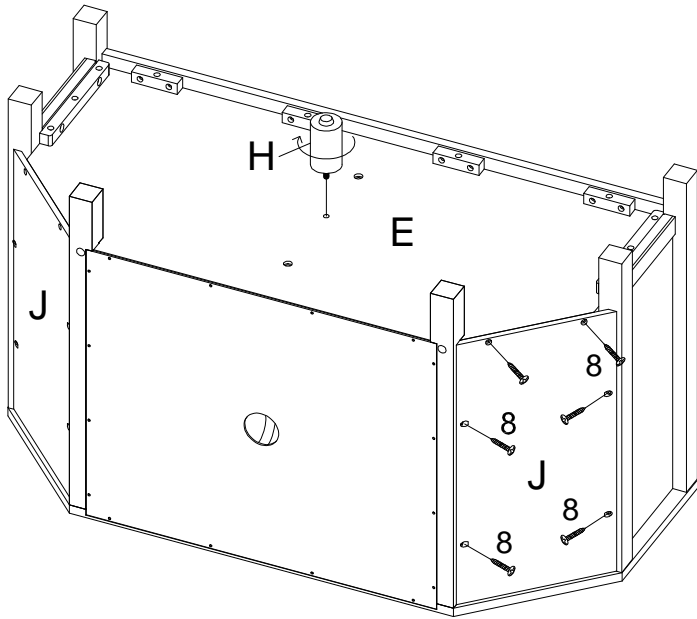
Attach the Top Panel (A) to the Middle Panel(B), side Panel (C,D) and Support Post (F,G) with cam Lock (6) and Bolt (2), then fasten them and put the cam bolt cover (7) on the cam lock place.



**Figure 6**

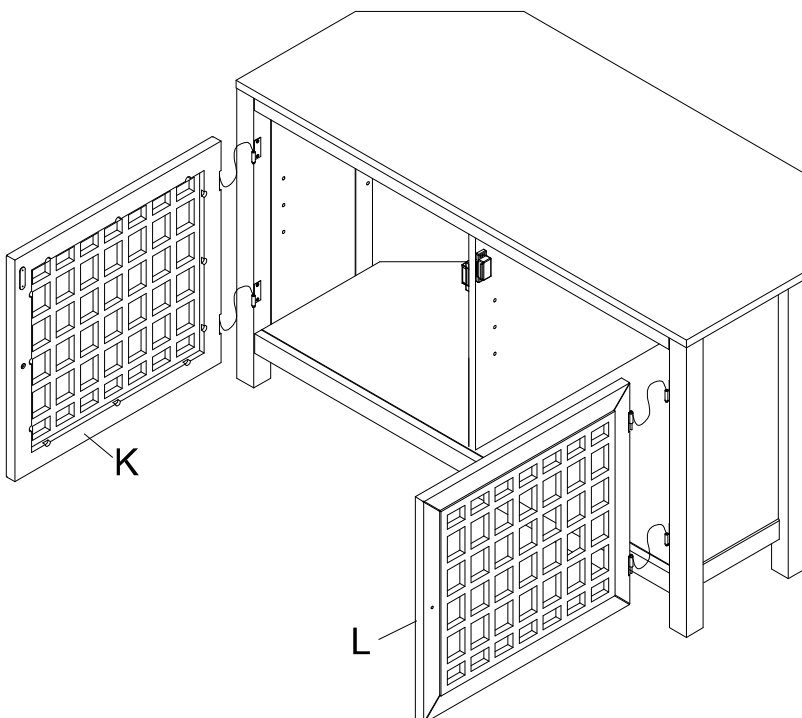
Attach the Middle Back Panel (I) with screw (8) as picture shown and fasten them.

# "Narita" Corner TV/Media Stand Assembly Instructions



**Figure 7**

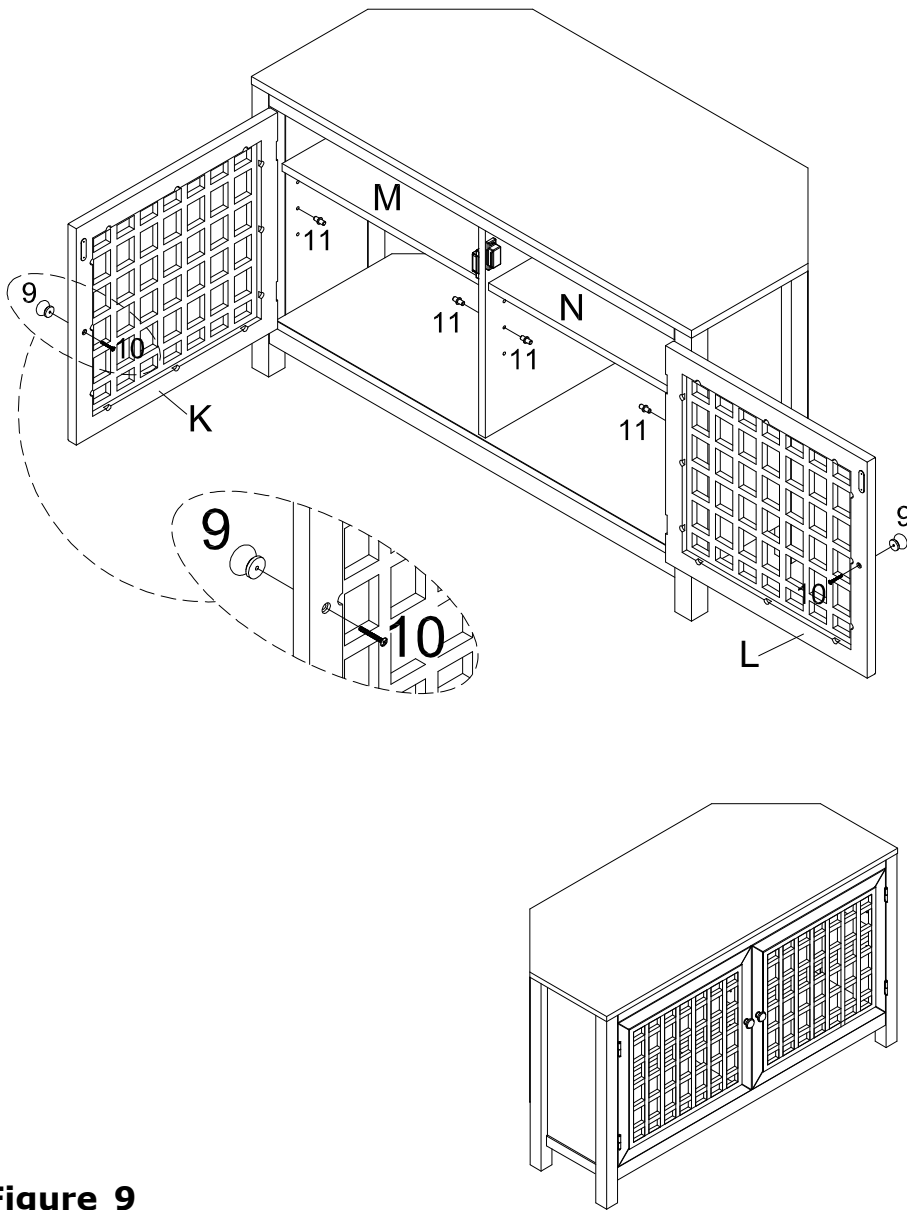
Attach the Side Back Panel (J) with screw (8) as picture shown and fasten them.  
Turn clockwise of the Adjustable Middle Foot (H) to the Bottom Panel (E) as shown.



**Figure 8**

Well slide the Door (K, L) into the cabinet by get the door hinge matched.

# "Narita" Corner TV/Media Stand Assembly Instructions



**Figure 9**

Attach the Metal Handle (9) to Doors (K, L) with Bolt (10) for Handle.

Insert the Metal Pins (11) to the side Panels (C, D) and Middle Panel (B).

Put the Shelves (M, N) on above the Metal Pins (11).

Your TV stand is ready to use now.

# Parts Replacement Form

Name \_\_\_\_\_

Address \_\_\_\_\_

City/State/Zip Code \_\_\_\_\_

Phone Number \_\_\_\_\_

Please indicate where you purchased this item: Store/Website/Catalog

\_\_\_\_\_

Please indicate color/size/style number:

\_\_\_\_\_

Style No	Parts Letter	Parts Description	Quantity Needed
_____	_____	_____	_____
_____	_____	_____	_____
_____	_____	_____	_____

Please immediately examine this product carefully. Any request for missing parts or damage replacement must be received within 90 days of your receipt of the product. Replacement, if available, will be honored within this time frame. Parts will not be available for items arriving fully assembled. We do not recommend modifying product(s) and we are not responsible for any damages due to product modification(s). If damages or missing parts are not reported within 90 days of your receipt, we are under no obligation to provide parts or replacement merchandise. Please contact Southern Enterprises at 800-633-5096 or in Dallas 972-869-0111/ 9am – 4pm Mon-Fri Central time if you have product issues or email us at [service@seidal.com](mailto:service@seidal.com). Please ask for customer service representative for issues involving damages or replacement parts. Please ask for technical assistance representative for any issues with product and assembly/construction.

Please contact the retailer that you purchased from for returns.

Customer Service 1-800-633-5096

[service@seidal.com](mailto:service@seidal.com)

Southern Enterprises, Inc.  
600 Freeport Parkway, Suite 200  
Coppell, Texas 75019



**Southern**  
ENTERPRISES



## CAUTION

The top shelf of this cabinet is intended for plasma/LCD televisions having a Max TV size is 40" flat screen and Max weight limit is **85** lb.

The top shelf is NOT INTENDED for tube televisions.

Each side shelf should not be loaded with more than 20 lb.

DO NOT EXCEED RECOMMENDED LOAD. Use with products heavier than the maximum sizes and weights indicated may result in instability causing possible injury.

This unit contains a permanent warning sticker located on underside of top shelf or inside drawer.

Do not allow children under 16 years to move the cart.

Model: MS987100TX/MS986100TX  
"NARITA" CORNER TV/MEDIA STAND  
Southern Enterprises, Inc.  
600 Freeport Parkway, Suite 200  
Coppell, Texas, 75019  
Manufacture Date: 06/07/2013