

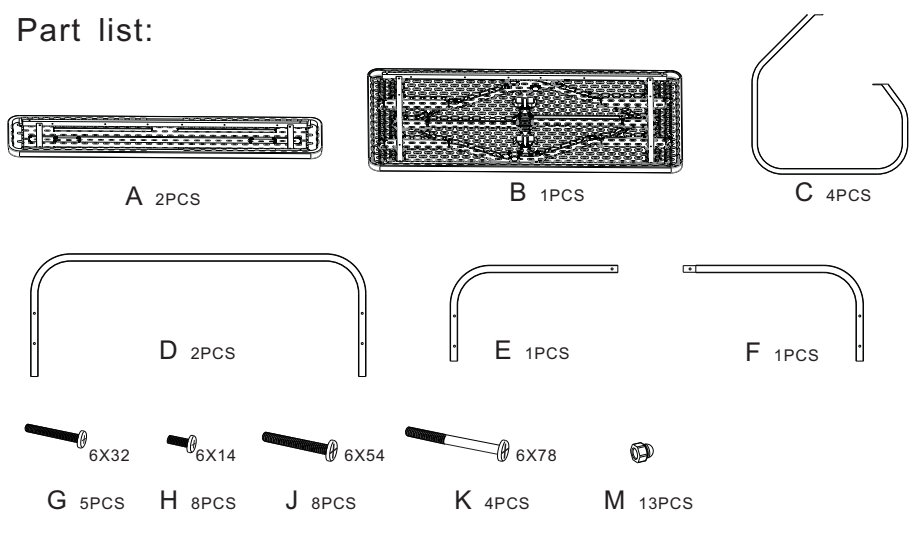
285x210mm



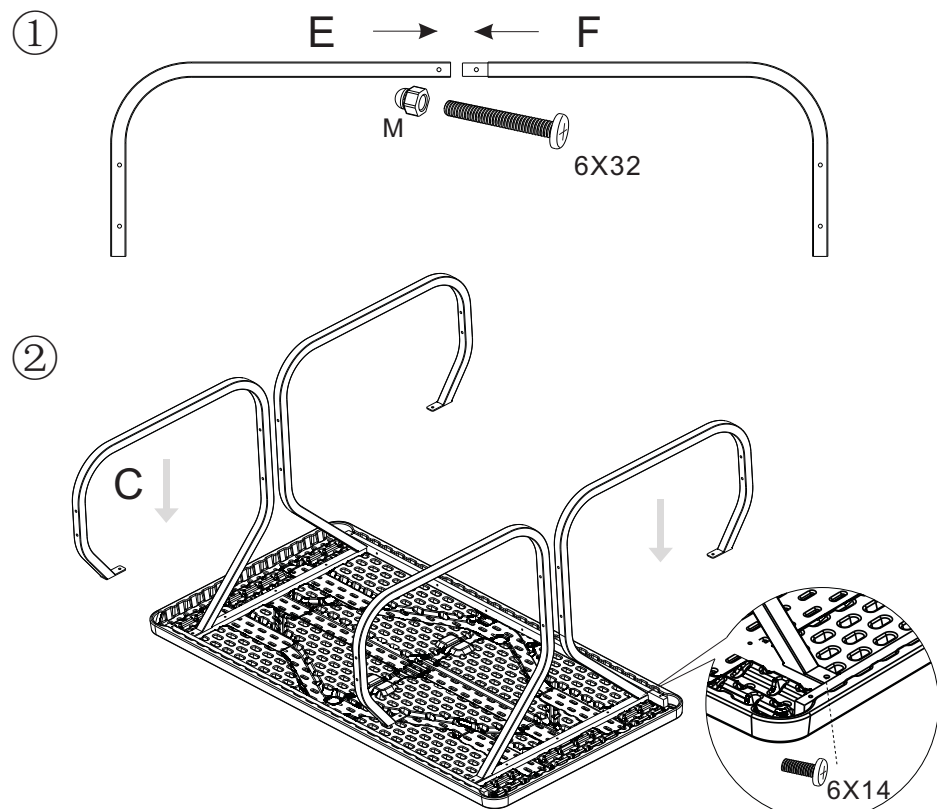
USER'S MANUAL
Picnic Table

PRODUCT ASSEMBLY

Part list:



Please follow the steps to install



PRODUCT ASSEMBLY

