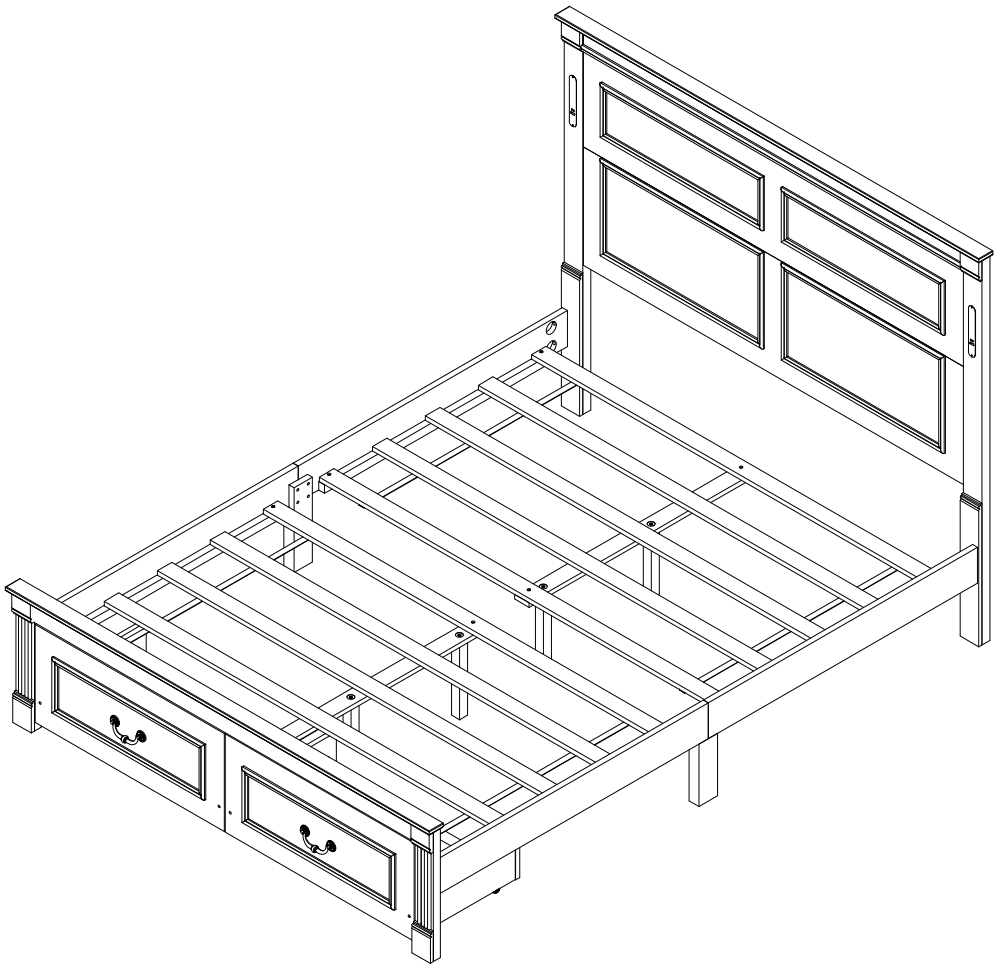


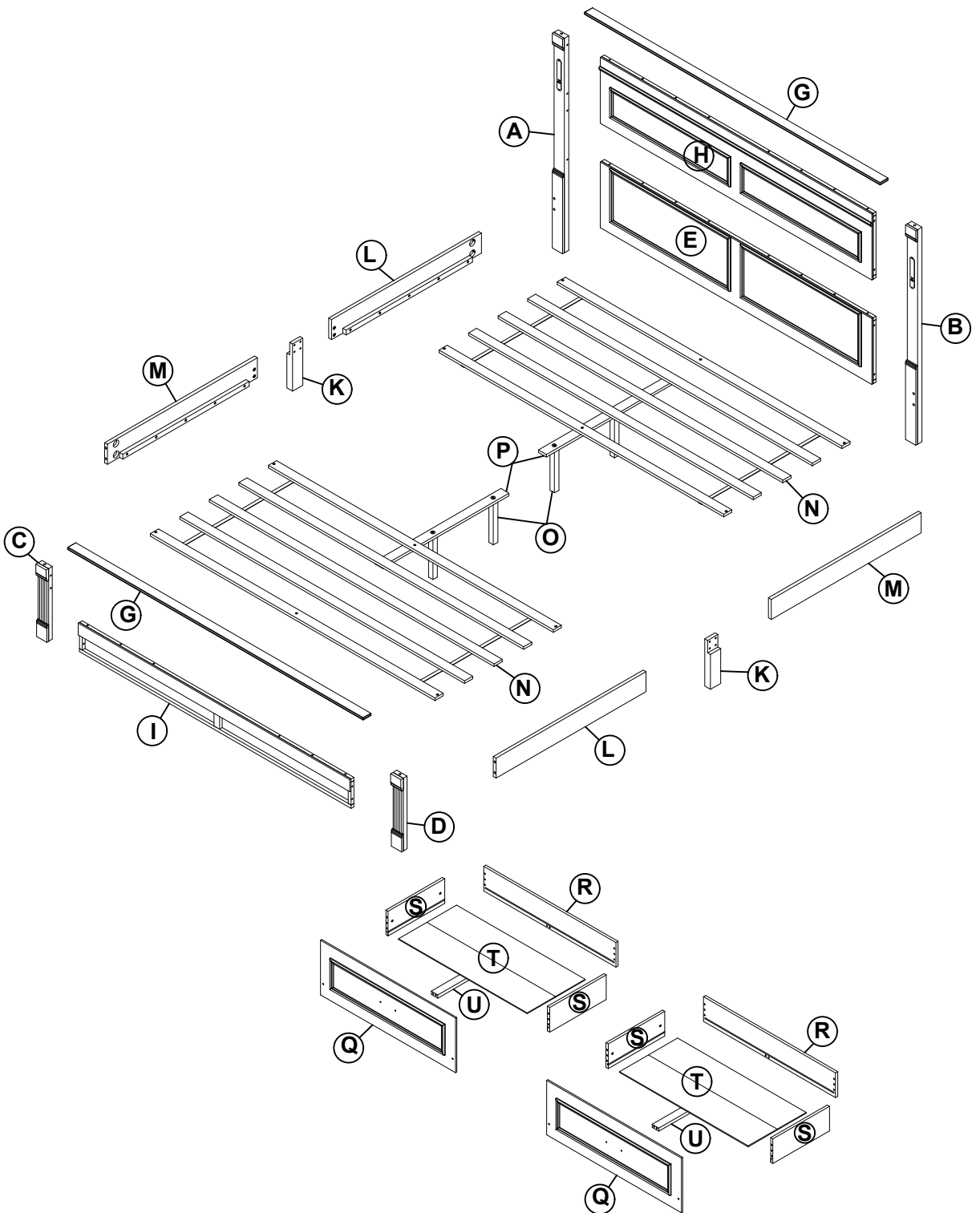
ASSEMBLY INSTRUCTIONS

QUEEN BED WITH STORAGE DRAWERS, 2 sets of USB+LED LIGHT



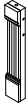
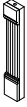
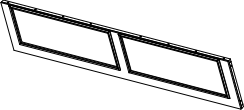


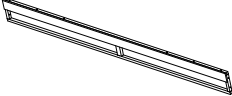

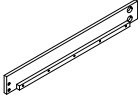
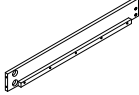


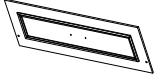

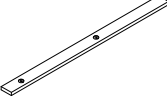


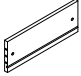


SD33022







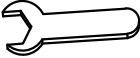
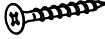

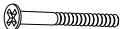



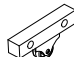

Detail View



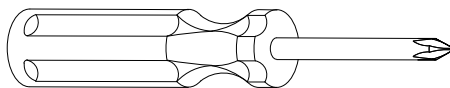
Part List

<p>A</p>  <p>1PC</p>	<p>B</p>  <p>1PC</p>	<p>C</p>  <p>1PC</p>
<p>D</p>  <p>1PC</p>	<p>E</p>  <p>1PC</p>	<p>G</p>  <p>2PCS</p>
<p>H</p>  <p>1PC</p>	<p>I</p>  <p>1PC</p>	<p>K</p>  <p>2PCS</p>
<p>L</p>  <p>2PCS</p>	<p>M</p>  <p>2PCS</p>	<p>N</p>  <p>2PCS</p>
<p>O</p>  <p>4PCS</p>	<p>Q</p>  <p>2PCS</p>	<p>R</p>  <p>2PCS</p>
<p>P</p>  <p>2PCS</p>	<p>T</p>  <p>4PCS</p>	<p>U</p>  <p>2PCS</p>
<p>S</p>  <p>4PCS</p>		

Hardware List

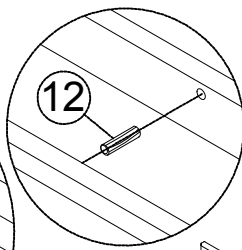
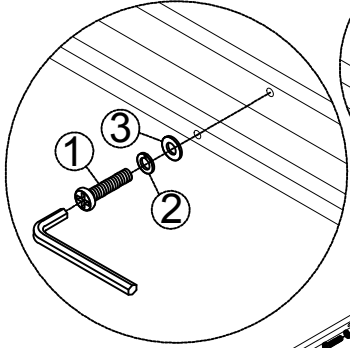
<p>1</p>  <p>(Ø13) x1/4"x35mm Hex-Head bolts (32pcs)</p>	<p>2</p>  <p>1/4"x13x1.5mm Hex-Head bolts (32pcs)</p>	<p>3</p>  <p>1/4"x19x1.5mm Hex-Head bolts (32pcs)</p>
<p>4</p>  <p>Ø5x16"x90mm BOLT (8pcs)</p>	<p>5</p>  <p>Ø5x16" CRESCENT WASHER (8pcs)</p>	<p>6</p>  <p>Ø5x16" NUT (8pcs)</p>
<p>7</p>  <p>WRENCH (1pc)</p>	<p>8</p>  <p>4x30mm Wood screws (28pcs)</p>	<p>9</p>  <p>Ø10x20mm Wooden dowel (8pcs)</p>
<p>10</p>  <p>(Ø13) x1/4"x60mm Hex-Head bolts (8pcs)</p>	<p>11</p>  <p>1/4"x15mm(9.5mm) Horizontal-Hole Nuts(8pcs)</p>	<p>12</p>  <p>Ø8x30mm Wooden dowel (34pcs)</p>
<p>13</p>  <p>142x59x27CC112MM mushroom hand in (2pcs)</p>	<p>14</p>  <p>Ø5/32"x15mm Pan head (4pcs)</p>	<p>15</p>  <p>100x19x19mm Wooden dowel (8pcs)</p>
	<p>16</p>  <p>(1/4") 4.5x58mm Allen key (1pc)</p>	





ASSEMBLY TOOLS REQUIRED (NOT INCLUDED)

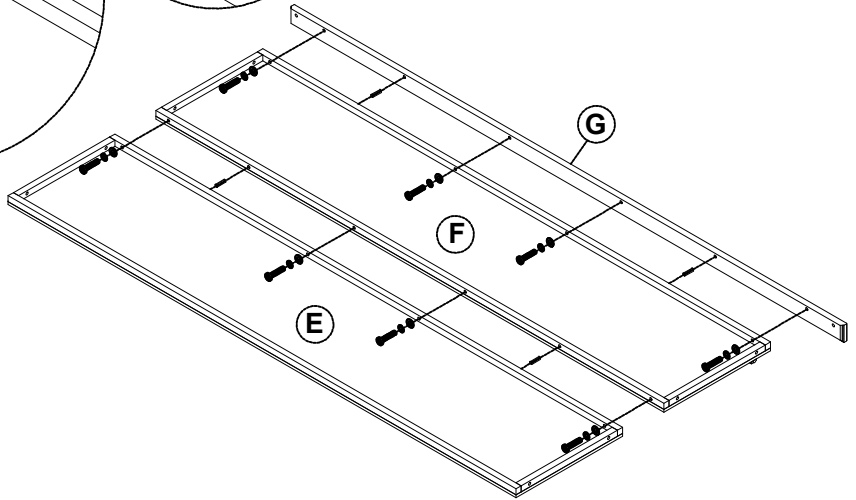


PLEASE BE CAREFUL DO NOT DAMAGE THE HOLE POSITION WHEN YOU USE POWER TOOLS !

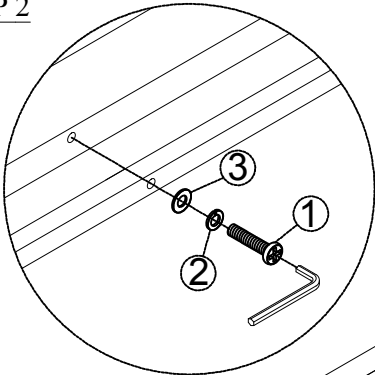
STEP 1







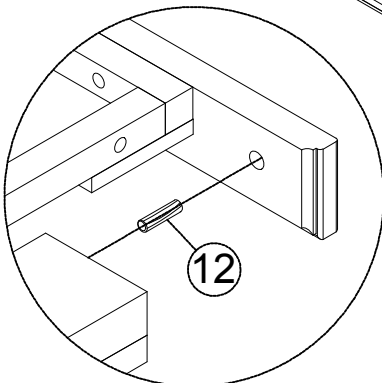
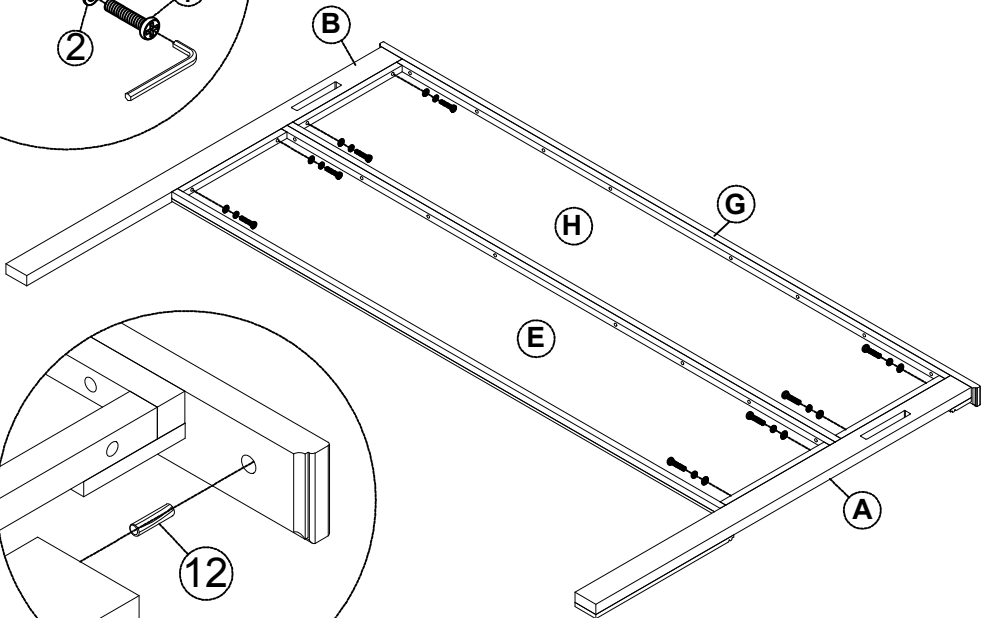
1	2	3	12
			
(8pcs)	(8pcs)	(8pcs)	(4pcs)







STEP 2

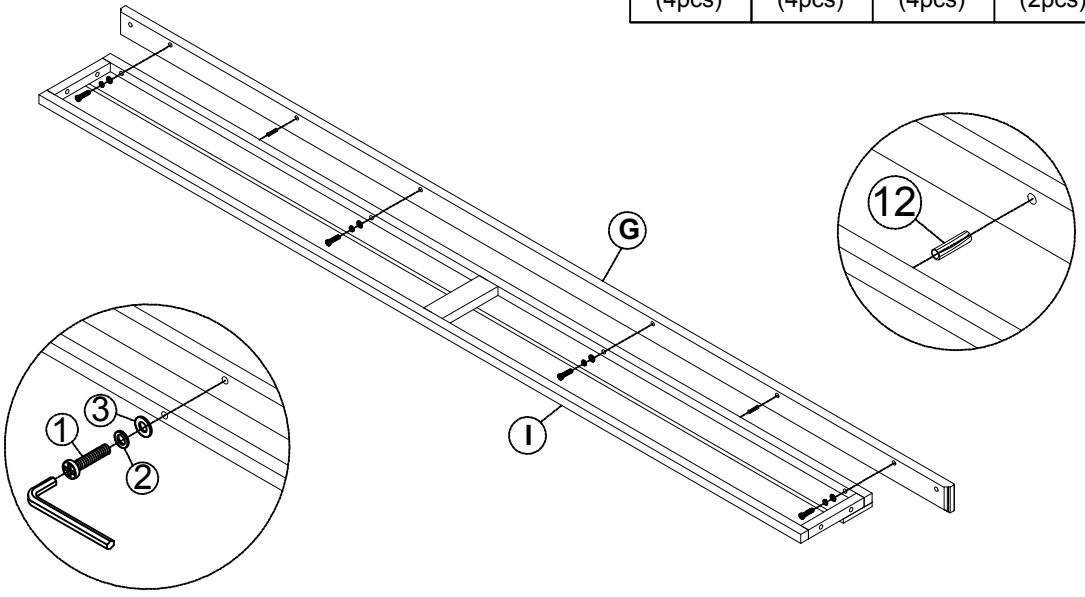


1	2	3	12
			
(8pcs)	(8pcs)	(8pcs)	(2pcs)







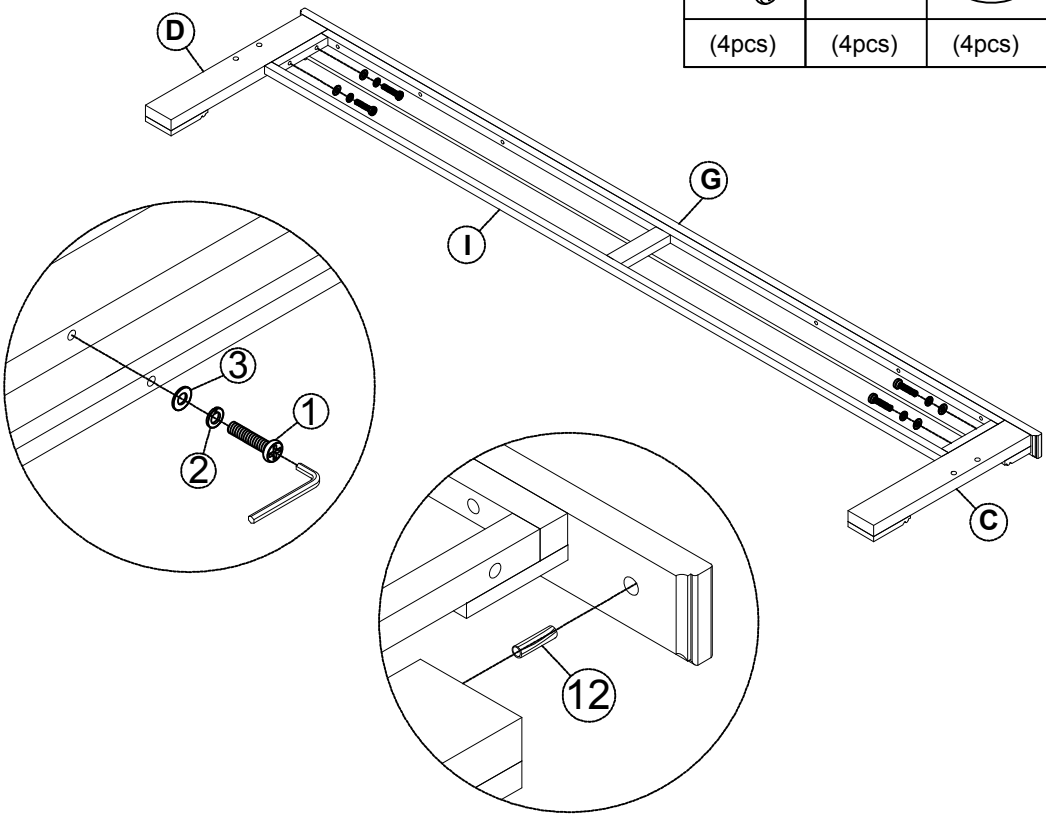
STEP 3

1	2	3	12
			
(4pcs)	(4pcs)	(4pcs)	(2pcs)






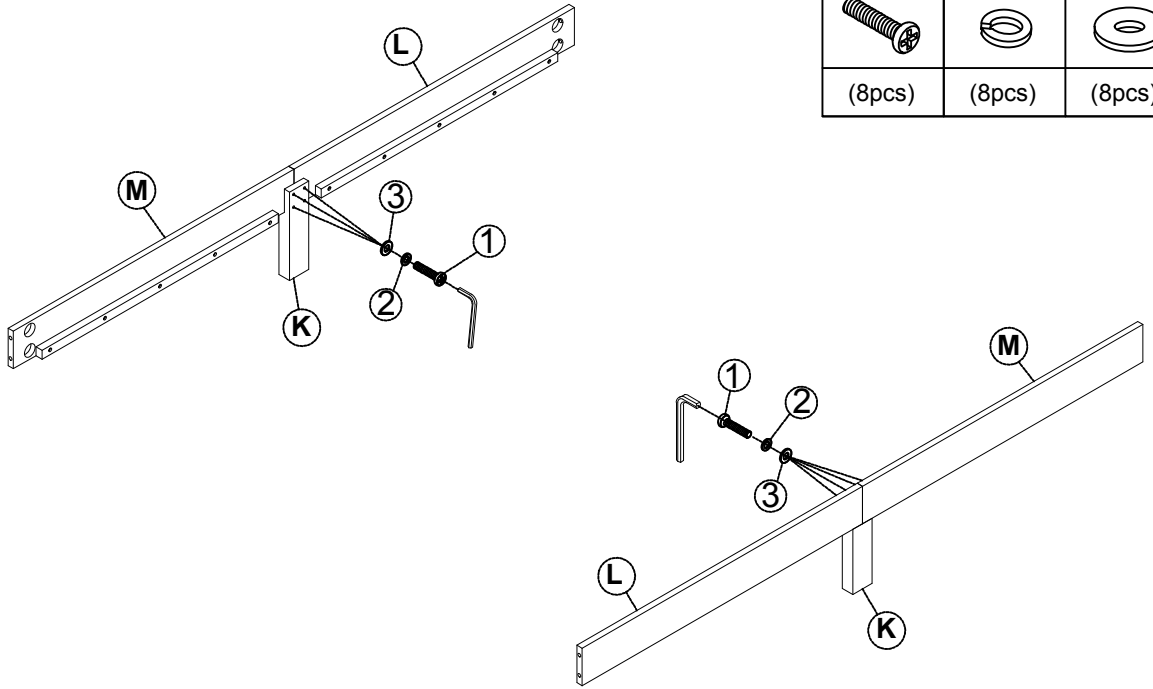
STEP 4

1	2	3	12
			
(4pcs)	(4pcs)	(4pcs)	(2pcs)




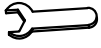


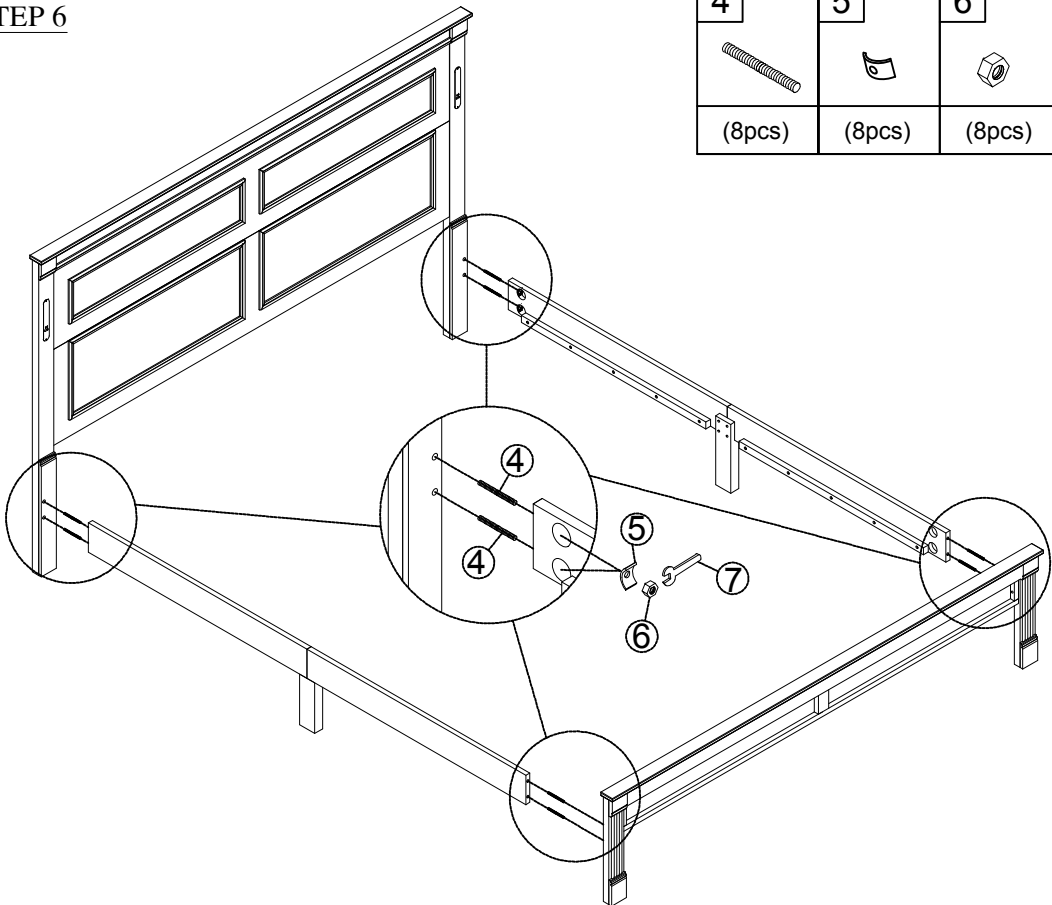
STEP 5

1	2	3
		
(8pcs)	(8pcs)	(8pcs)



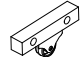


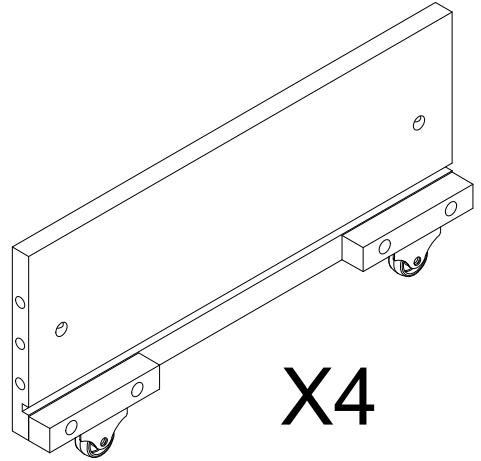
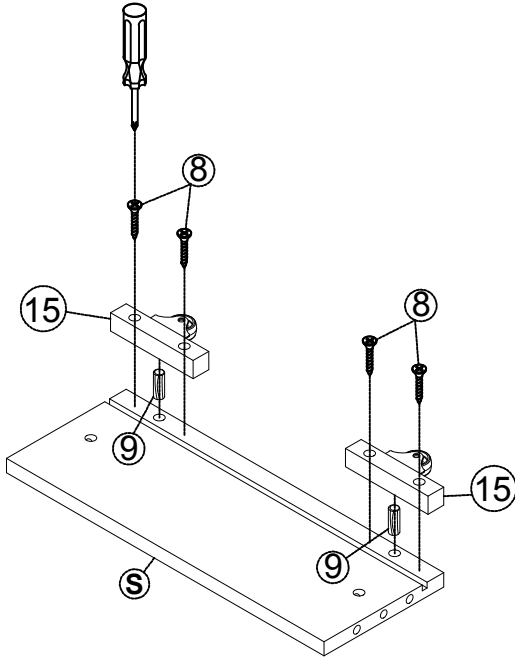
STEP 6

4	5	6	7
			
(8pcs)	(8pcs)	(8pcs)	(1pc)



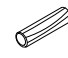




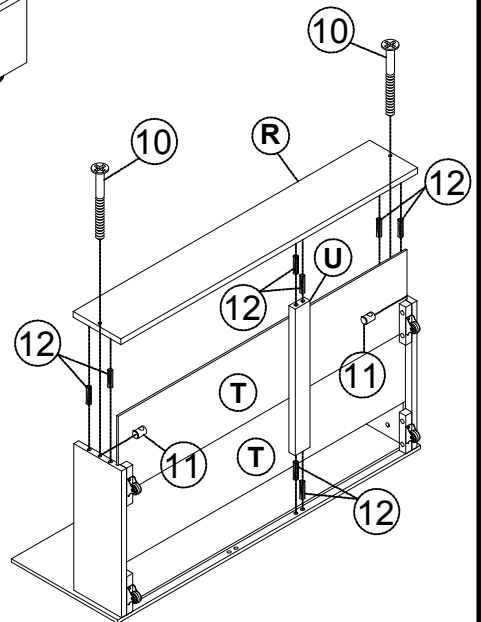
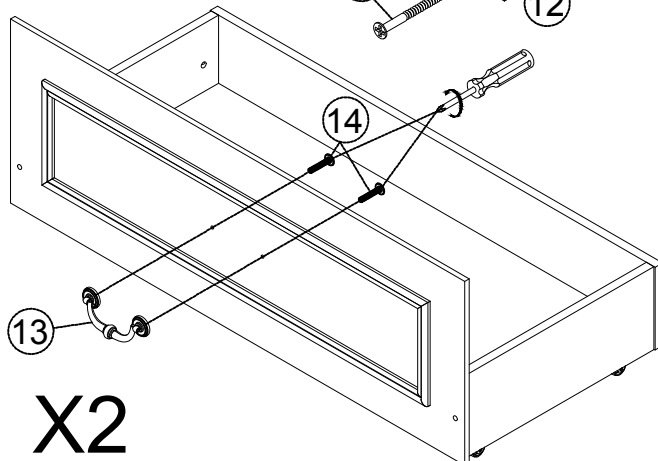
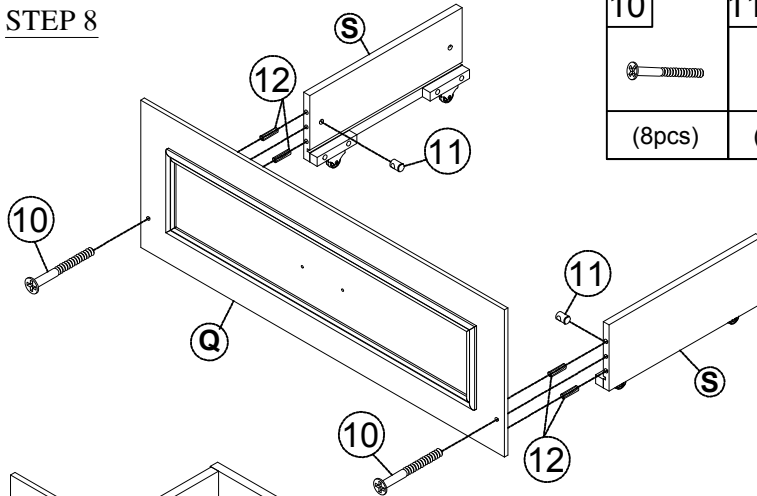
STEP 7

8	9	15
		
(16pcs)	(8pcs)	(8pcs)

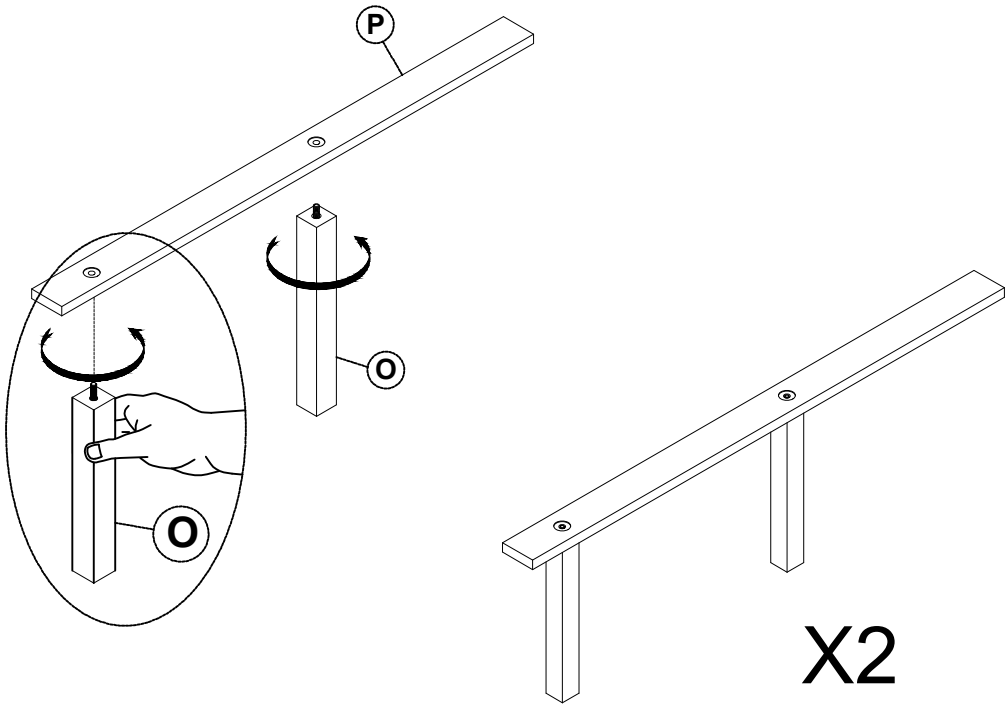


STEP 8

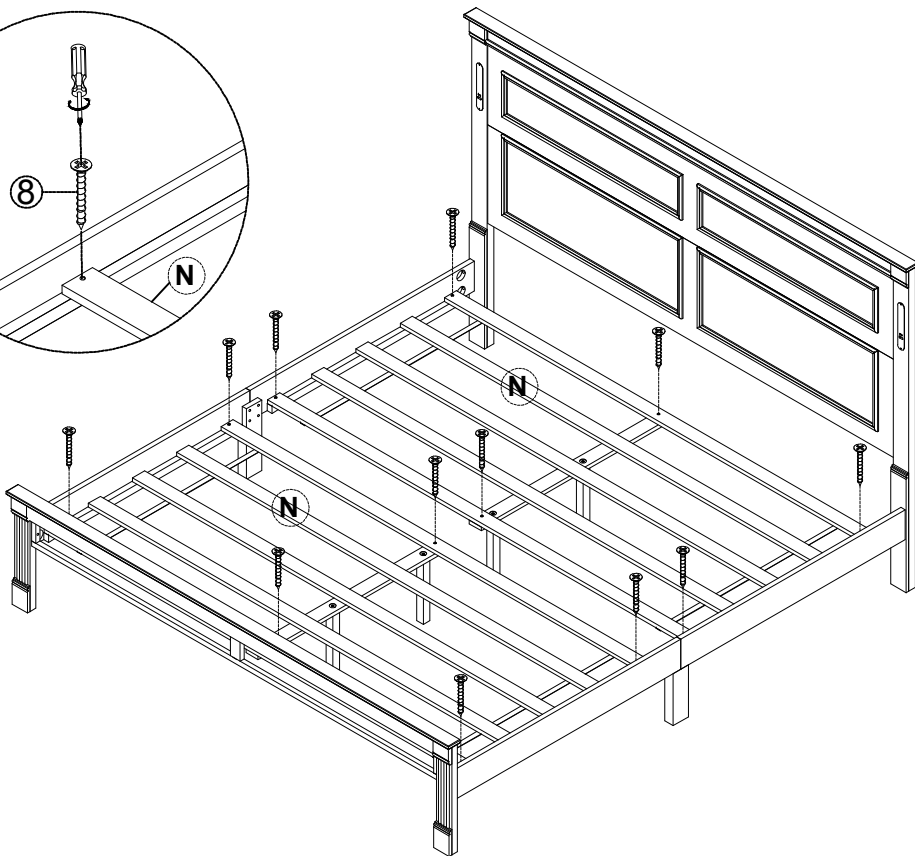
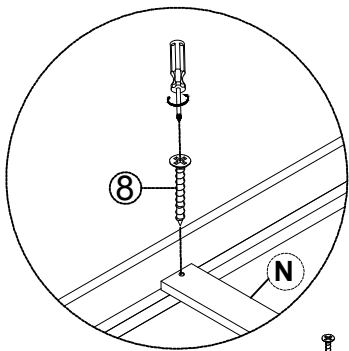
10	11	12	13	14
				
(8pcs)	(8pcs)	(24pcs)	(2pcs)	(4pcs)



STEP 9



STEP 10

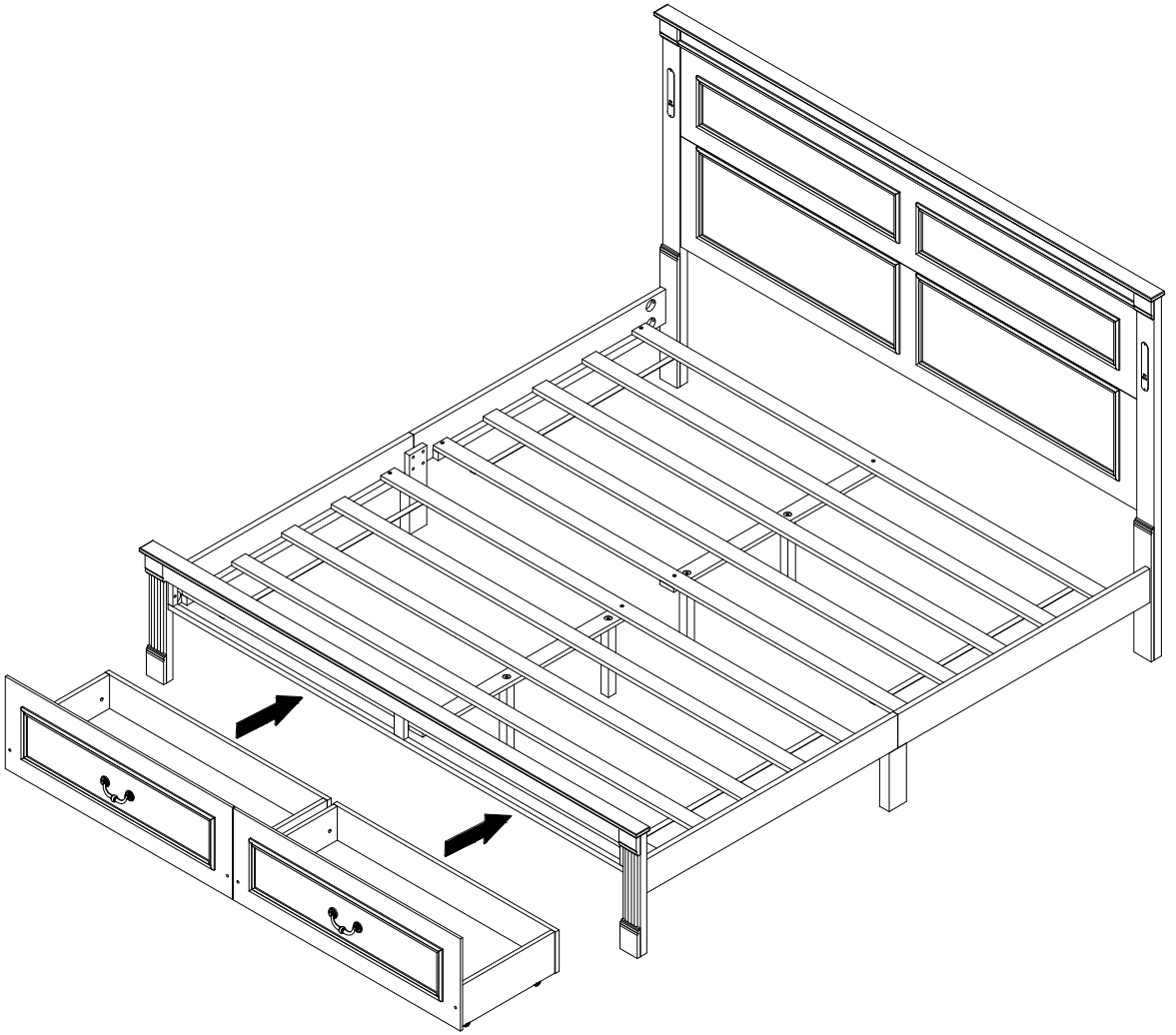


8

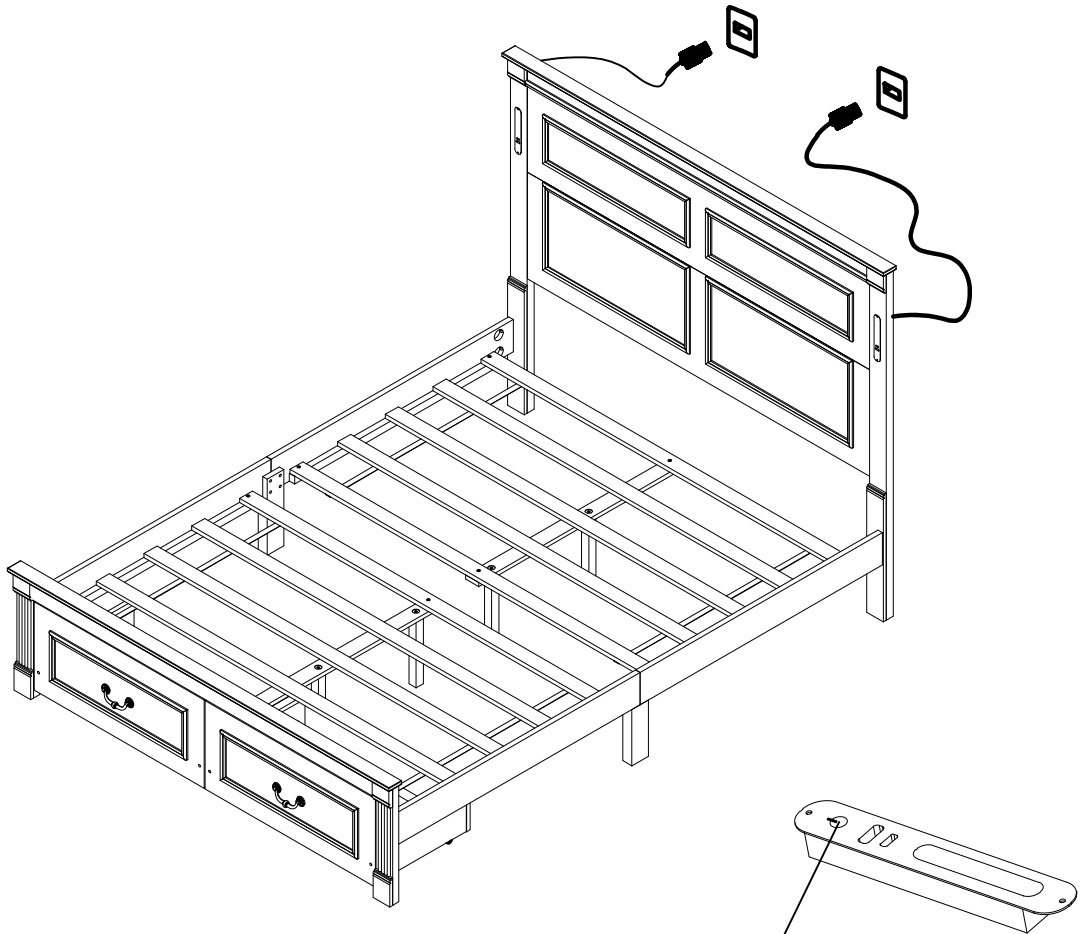


(12pcs)

STEP 11



Finish



How to use

Short press the button to control the switch.
Long press the button to adjust the brightness.

Product Usage Precautions:

- 1 : The product cannot be used outdoors;
- 2 : Please reserve sufficient hole clearance during the installation;
- 3 : Please select an appropriate power supply to ensure normal operation.
- 4 : Do not look directly at the on-lighted LED strip for a long time to avoid any damage of your sight.
- 5 : Please have professionals carry out disassembly and maintenance to avoid causing various damages