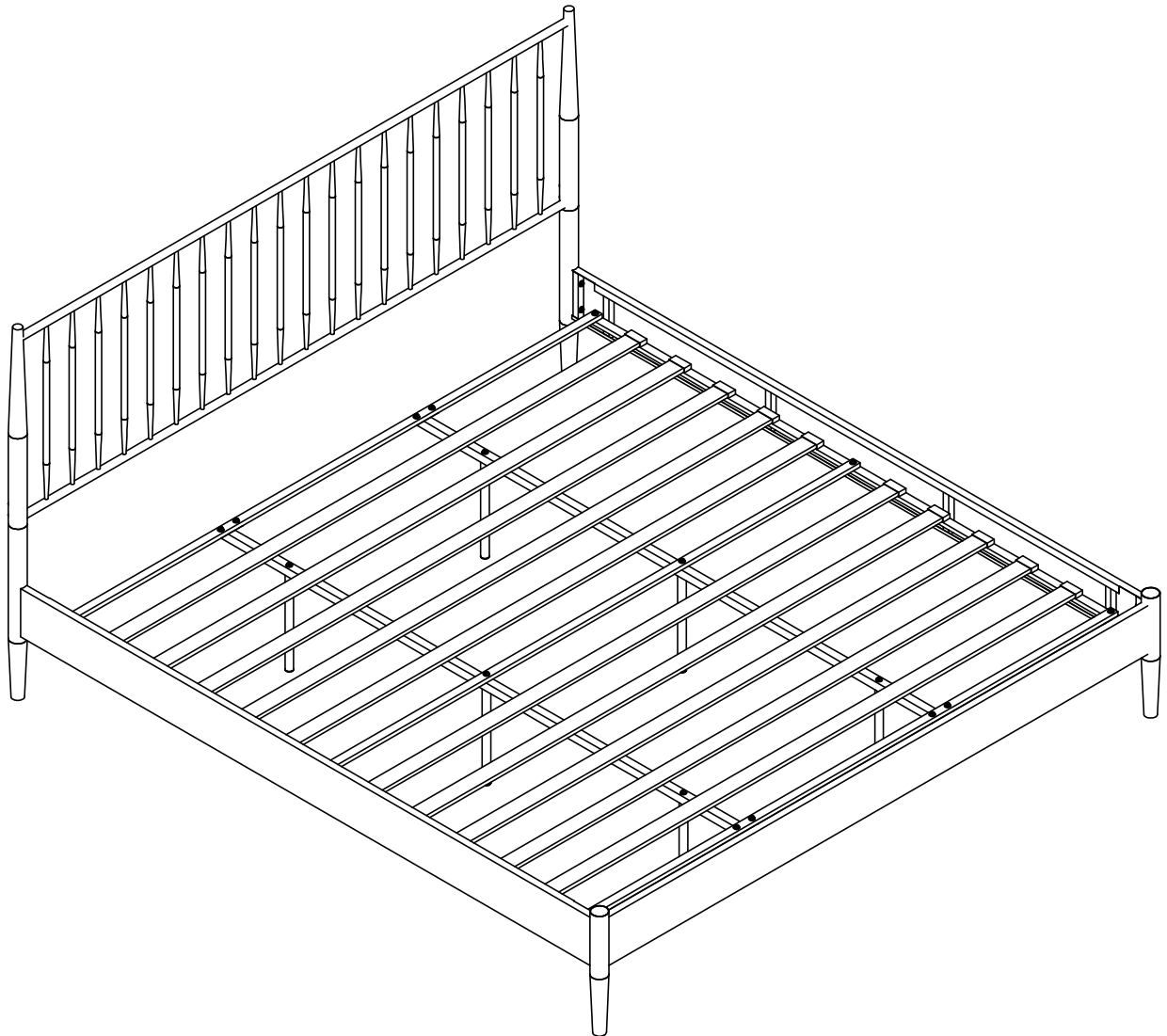


ASSEMBLY INSTRUCTIONS

MOD-7220

V1.15.03.25



Questions? Contact us!

609.256.9000 • cs@modway.com
www.modway.com

*modway

Let's get started!

***modway**



Read through all of the instructions before starting



Care instructions are listed in the last step of this manual



Approx. 60 minutes assembly time



Make sure you have all parts and components before discarding any packing materials



2 people recommended for assembly

Only use hand tools to assemble this item. Do not use power tools. Do not tighten bolts or screws completely until all hardware is lined up and inserted into the holes.

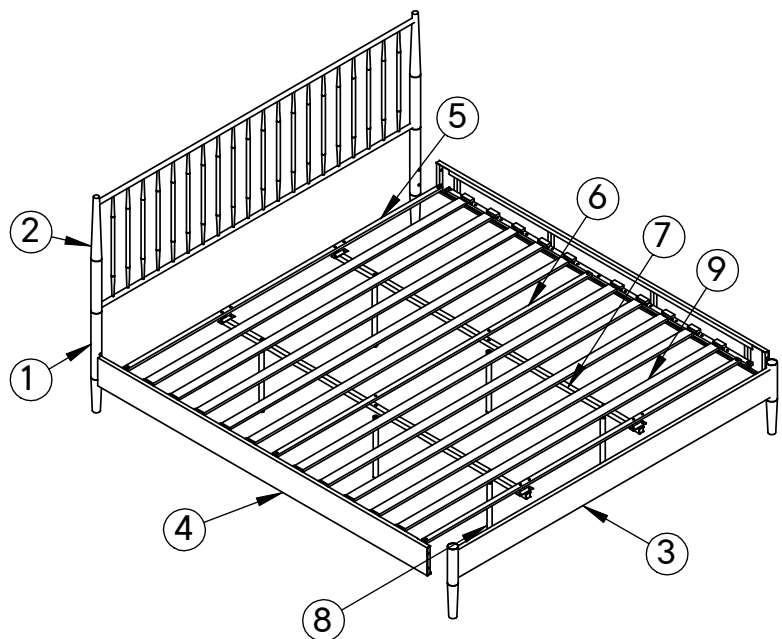
Do not over-tighten screws and bolts to avoid stripping the hardware or cracking the item.

Assemble your item on a flat, carpeted area, with plenty of space to work. This will prevent damage and scratches to your floors or the item while you're assembling the product.

Keep all components and packaging out of reach of children or animals to avoid risk of choking or suffocation.

Furniture components:

1	Headboard Foot	x2
2	Headboard	x1
3	Footboard	x1
4	Side Rail	x2
5	Cross Slats for Beam	x2
6	Cross Batten of Center Beam	x1
7	Support Beam	x2
8	Support Foot for Beam	x6
9	Batten	x10



Provided hardware:

A		M6 x 35mm	x8	E		Arch Shaped Gasket	x4
B		M6 x 25mm	x16	F		Allen Key	x2
C		M6 x 15mm	x4	G		Plastic Fasteners	x20
D		Flat Washer	x28				

Step 1

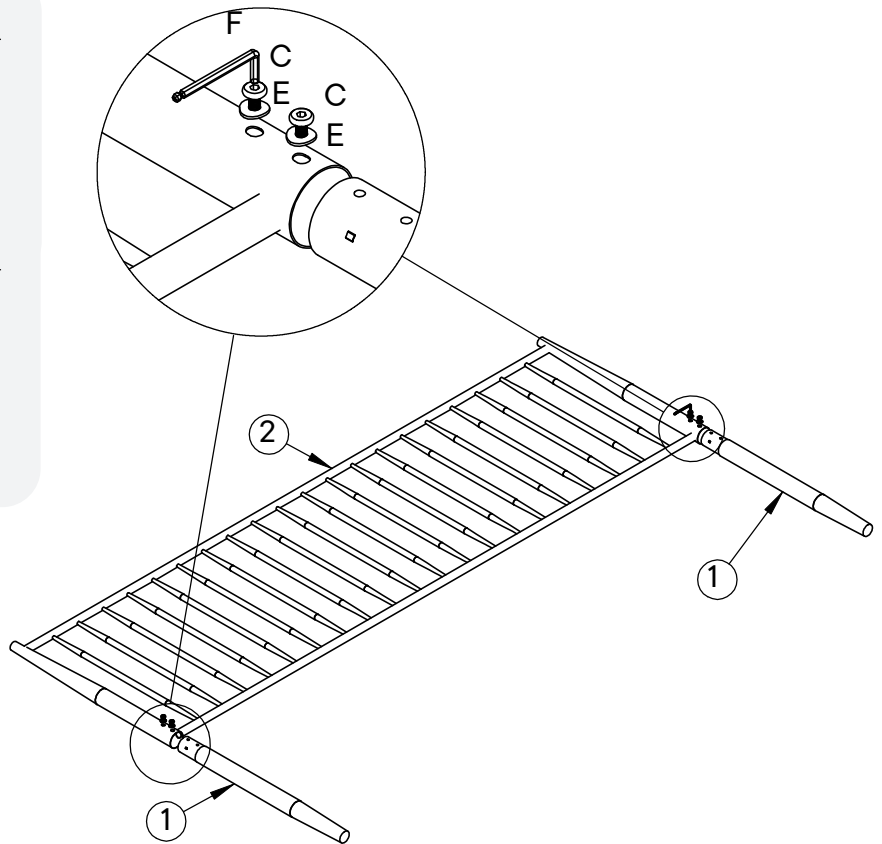
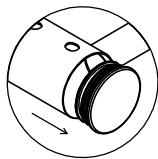
COMPONENTS

- ① Headboard Foot x2
- ② Headboard x1

HARDWARE

- Ⓒ Bolt M6 x 15mm x4
- Ⓔ Arc Shaped Gasket x4
- Ⓕ Allen Key x1

Remove the protective component



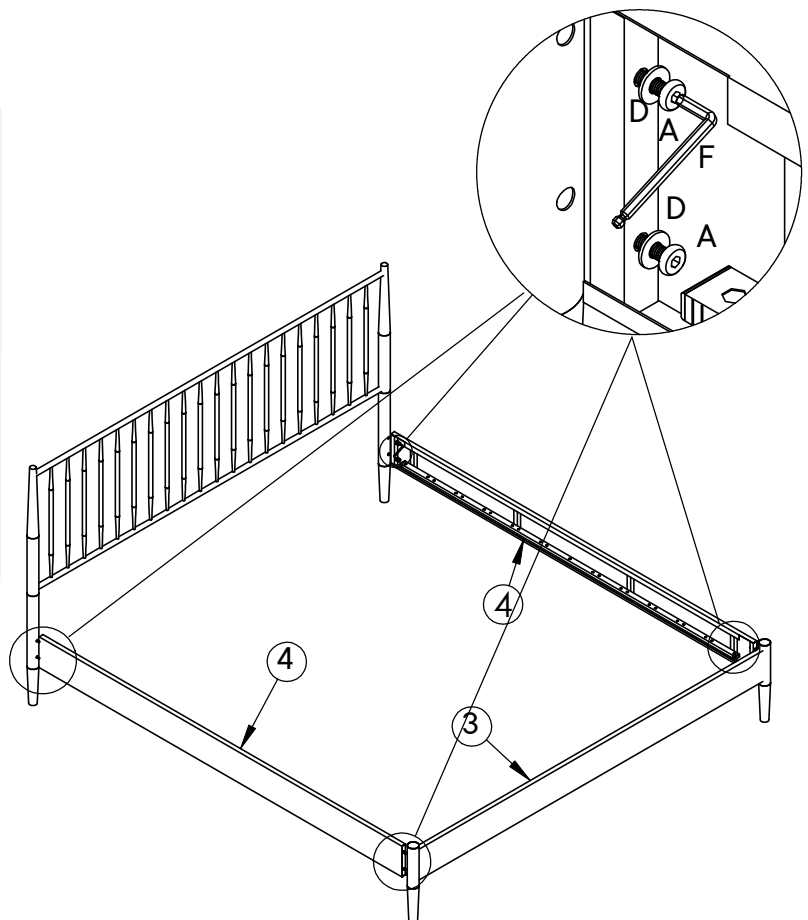
Step 2

COMPONENTS

- ③ Footboard x1
- ④ Side Rail x2

HARDWARE

- Ⓐ Bolt M6 x 35mm x8
- Ⓓ Flat Washer x8
- Ⓕ Allen Key x1



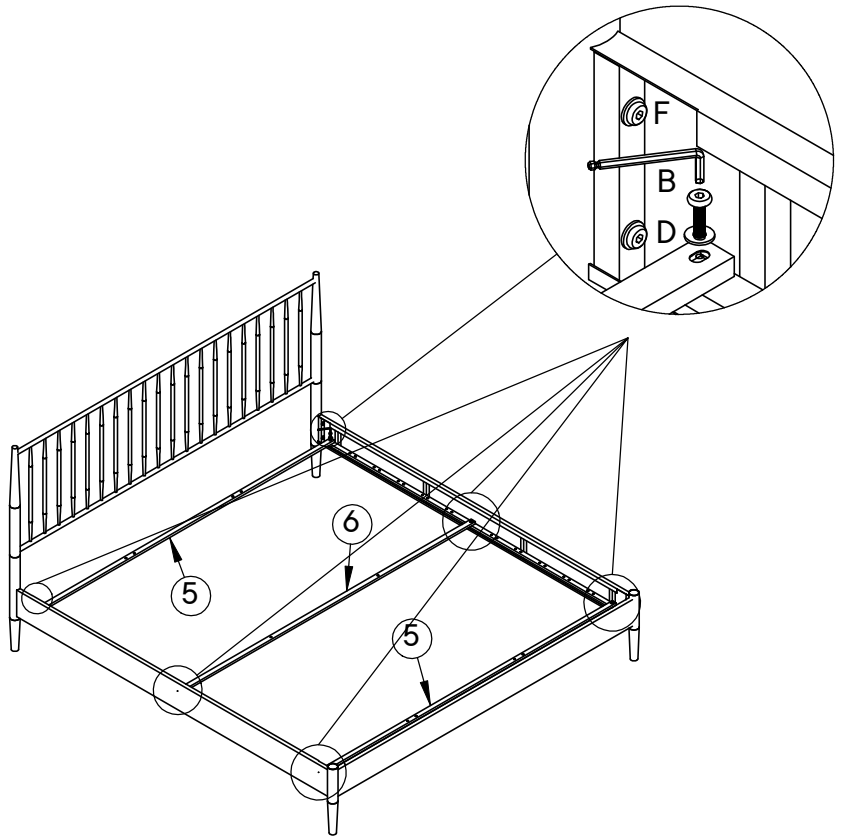
Step 3

COMPONENTS

- ⑤ Cross Slats for Beam x2
- ⑥ Cross Batten of Center Beam x1

HARDWARE

- Ⓑ Bolt M6 x 25mm x6
- Ⓓ Flat Washer x6
- Ⓕ Allen Key x1



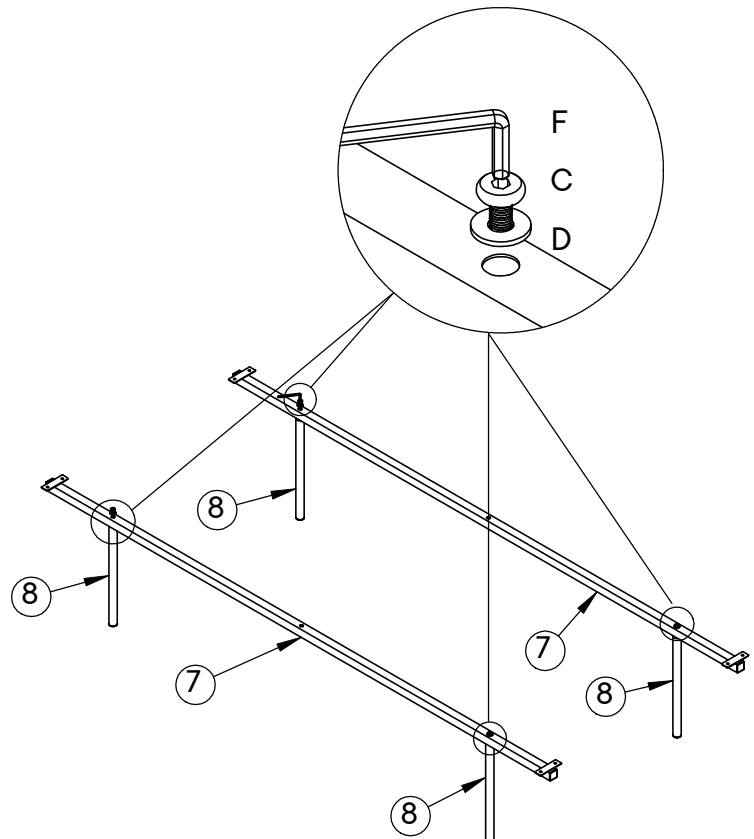
Step 4

COMPONENTS

- ⑦ Support Beam x2
- ⑧ Support Foot for Beam x4

HARDWARE

- Ⓒ Bolt M6 x 15mm x4
- Ⓓ Flat Washer x4
- Ⓕ Allen Key x1



Step 5

COMPONENTS

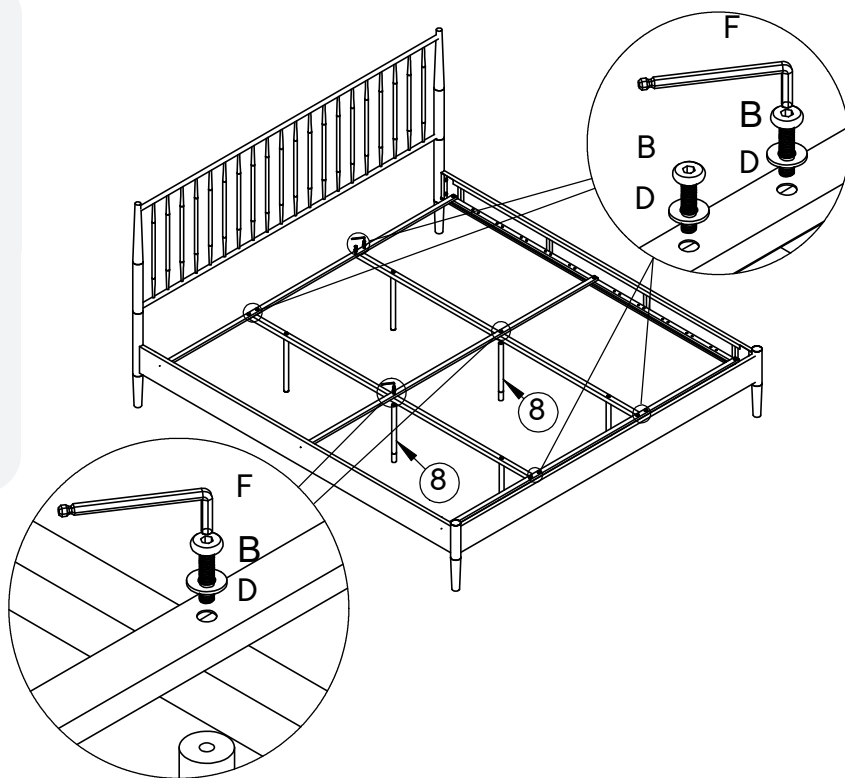
⑧ Support Foot for Beam x2

HARDWARE

Ⓑ Bolt M6 x 25mm x10

Ⓓ Flat Washer x10

Ⓕ Allen Key x1



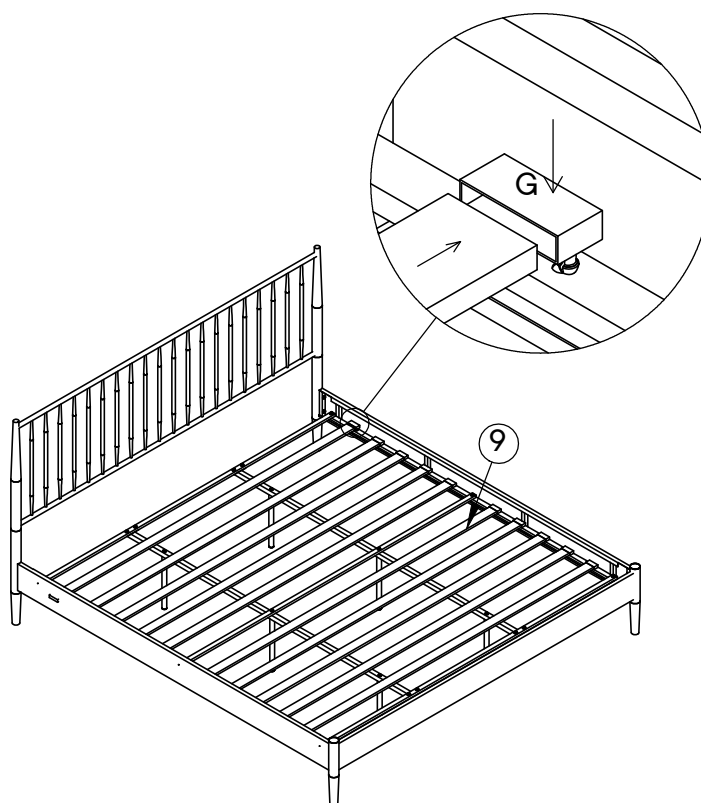
Step 6

COMPONENTS

⑨ Batten x10

HARDWARE

Ⓖ Plastic Fasteners x20



Great job!

Your new bed is complete.

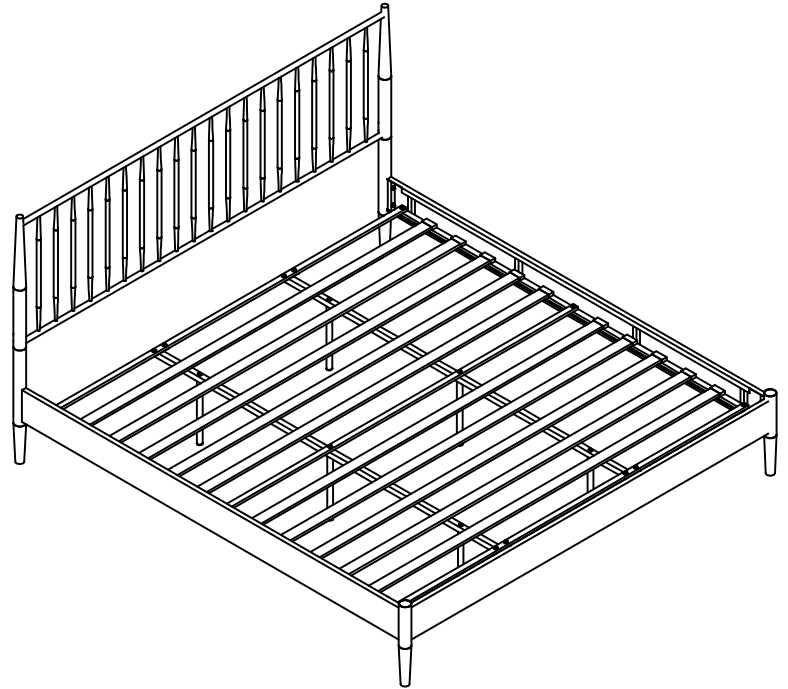
♥ CARING FOR YOUR ITEM

Depending on use, it may be necessary to tighten the hardware from time to time, so please save the tools that have been provided.

Not contract grade.

Clean using a non-abrasive cloth and a mild cleaner.

Retain the rich wood color by occasionally sanding lightly and applying a teak cleaner and protectant. The oils nourish and help restore the original look.



CONNECT WITH US!   

Tag us [@modway_furniture](#) and [#modway](#) for a chance to be featured.