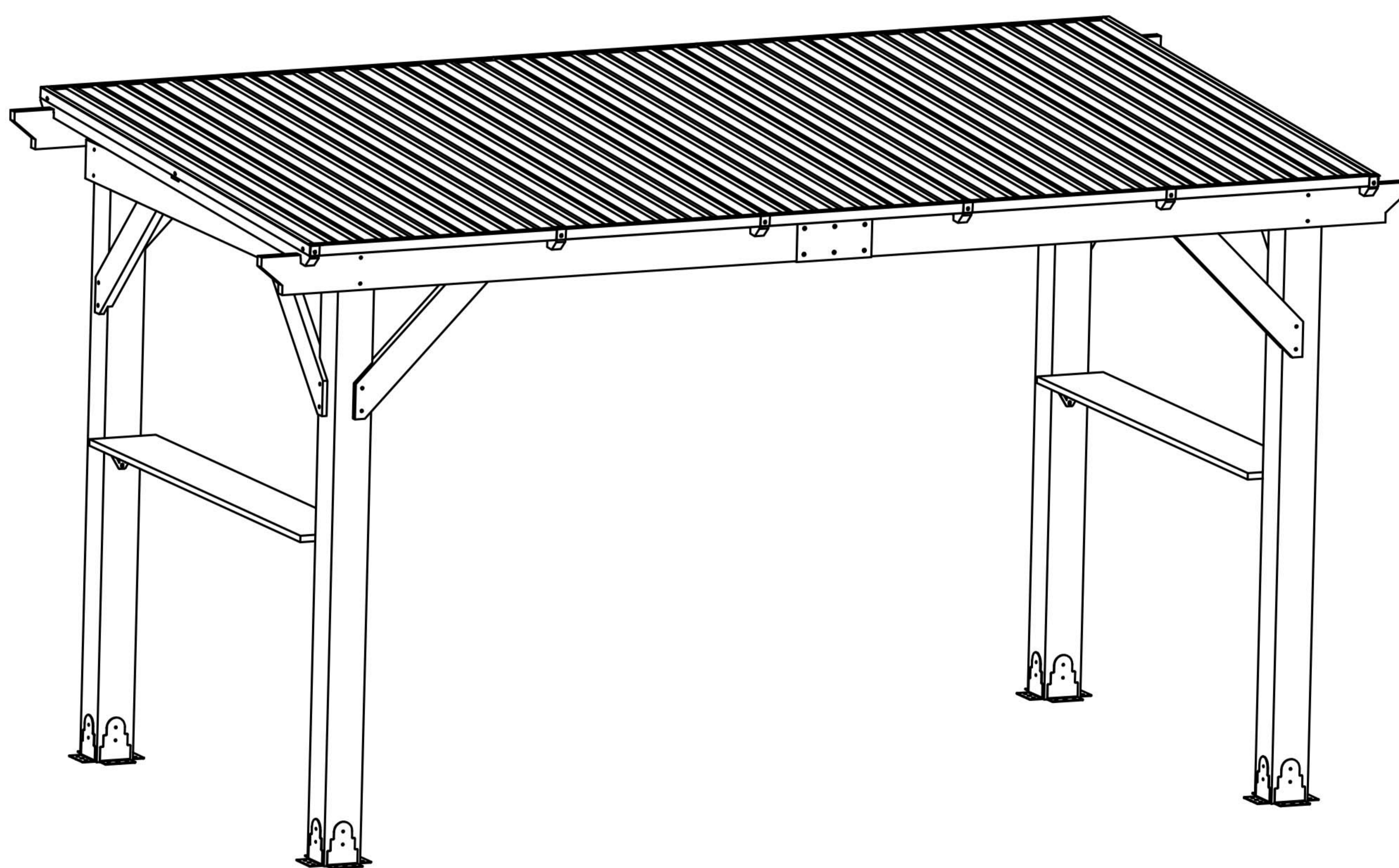


Metal Roof  
Cedar Wooden Gazebo 12.5X6.5FT

SKU: CSK24G051-1  
CSK24G051-2  
CSK24G051-3  
CSK24G051-4

# ASSEMBLY INSTRUCTIONS



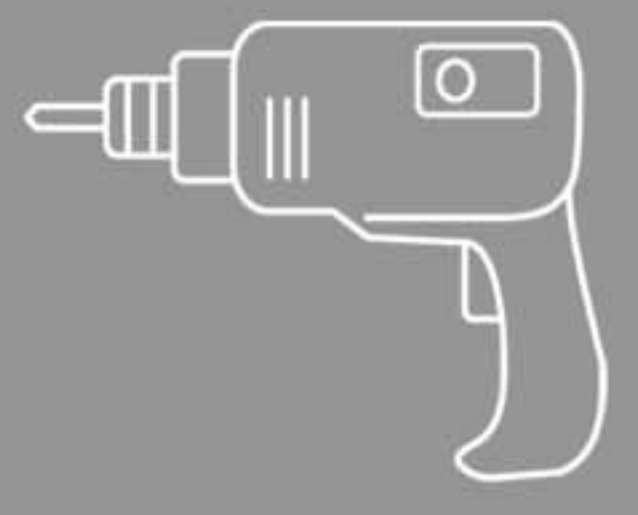
Please check the number of parts in the following accessory catalogue when unpacking. We have sent you more small parts for spare. If there is any missing or any questions about the installation. Please feel free to contact us. We will reply within 24 hours.



E-mail: [cs.helper01@gmail.com](mailto:cs.helper01@gmail.com)

## TOOLS RECOMMENDED

\*NOTE: The recommended tools are not included in boxes and need to be prepared by yourself.



DRILL



RUBBER Mallet



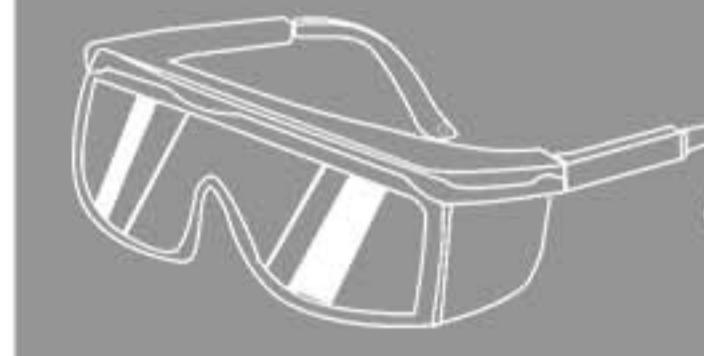
STEPLADDER  
(6.5Ft Or More)



SAFETY HAT



GLOVES



SAFETY GOGGLES

## ATTENTIONS



Since it is easy to lose many small accessories during the installation, please collect all the screw accessories before the assembly is completed



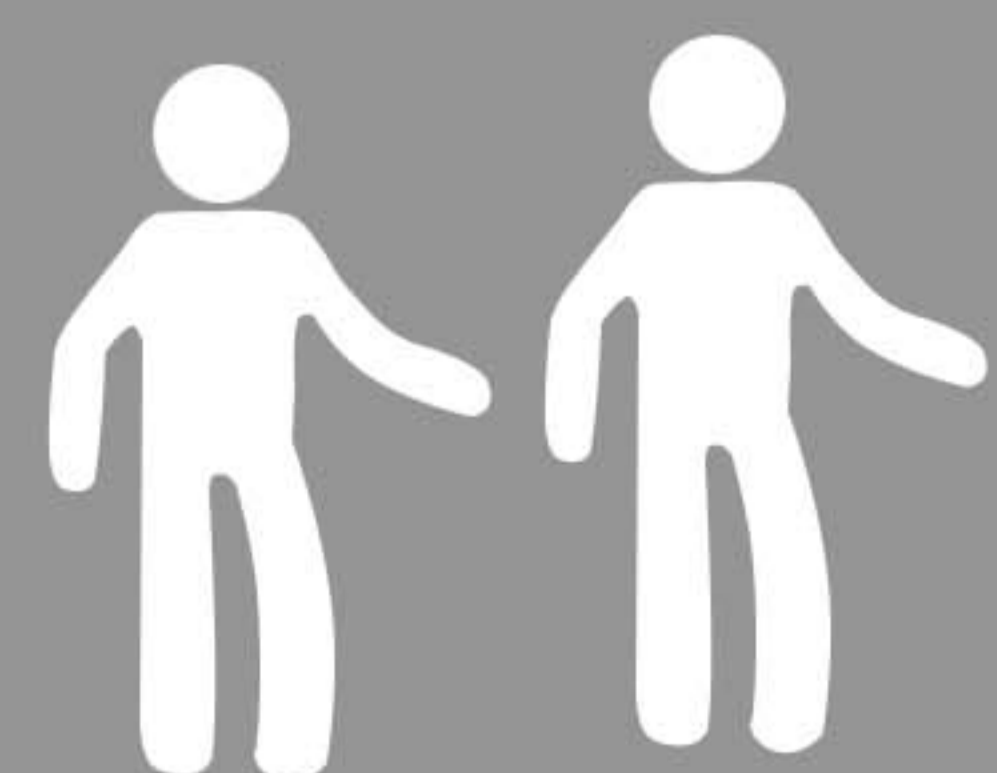
To better align the screws for practical situations, do not fully tighten screws initially



Please reinforced the Gazebo and do not use in heavy winds or inclement weather



Make sure all screws are tightened before use and check all screws, buckles and straps every 90 days



Two or more people are required for assembly



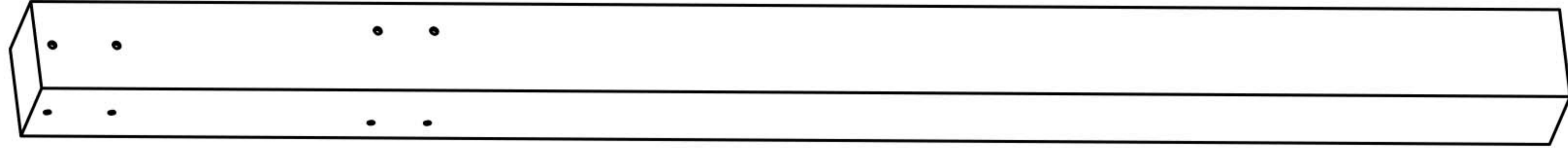
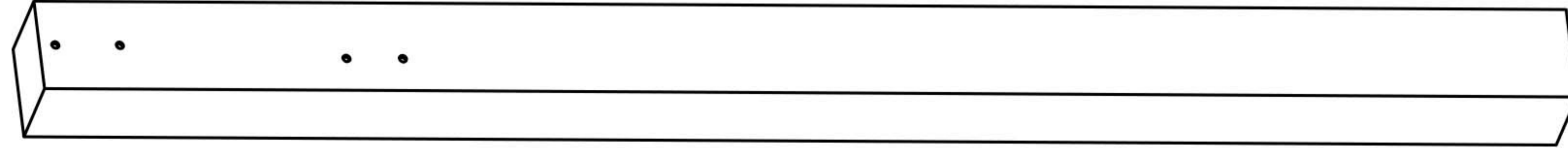
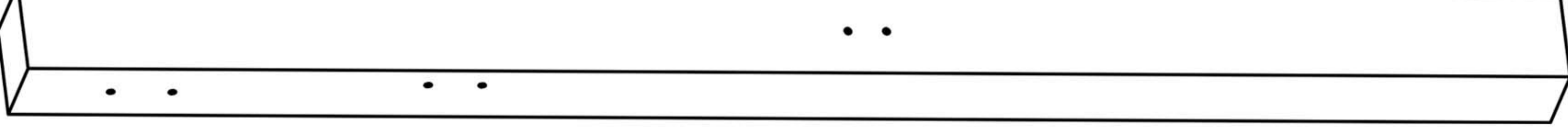
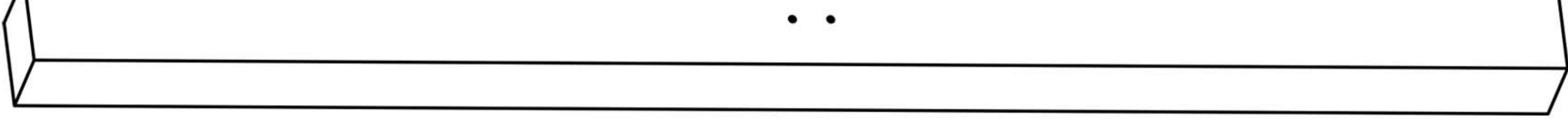
Please clear the snow off the roof in time for the heavy snowfall and do not use it

Please keep the screws carefully during the assembly process and contact us by email if they are missing.

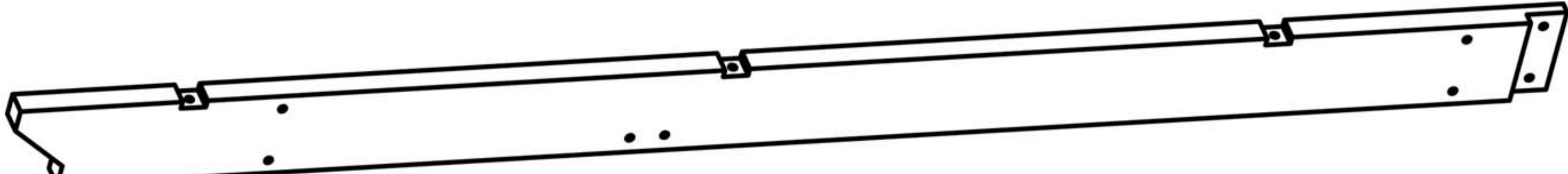
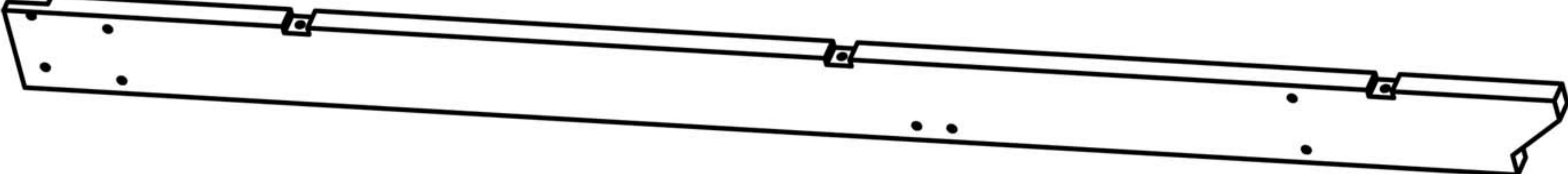
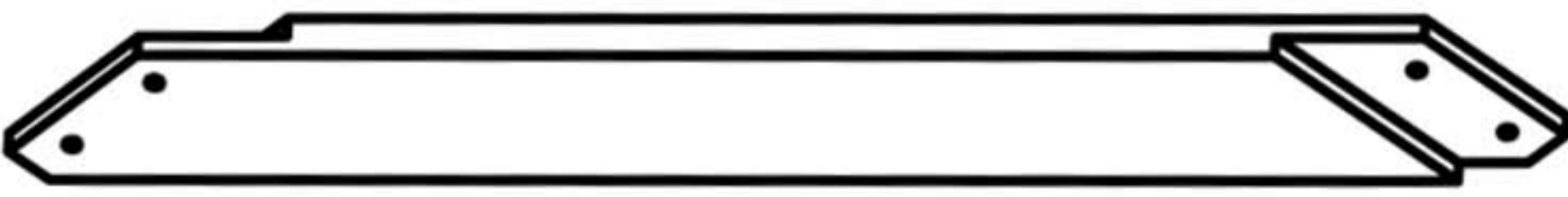


# ACCESSORY CATALOGUE

## BOX 1 SKU: CSK24G051-1

Item no.	Reference Image	Qty.
<b>A</b>		1
<b>B</b>		1
<b>C</b>		1
<b>D</b>		1


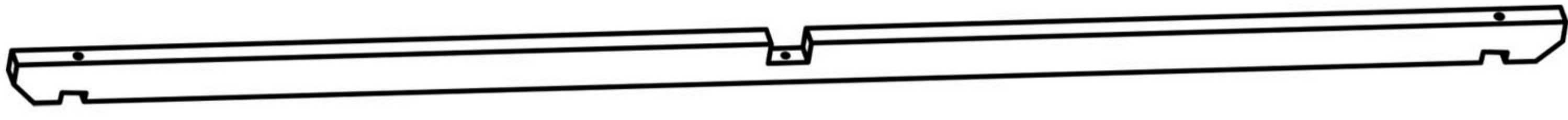

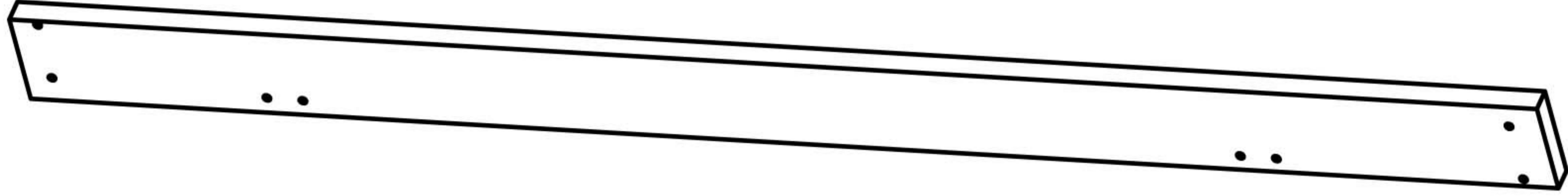

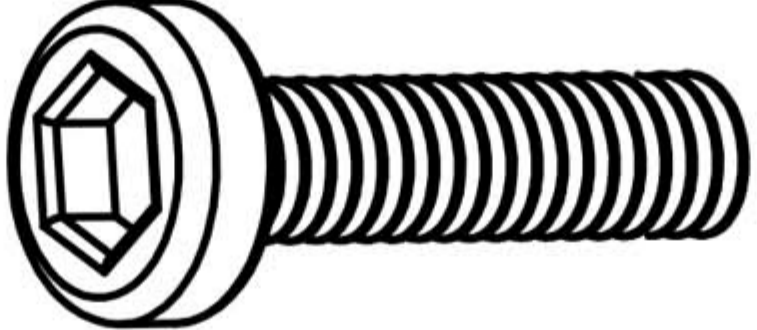
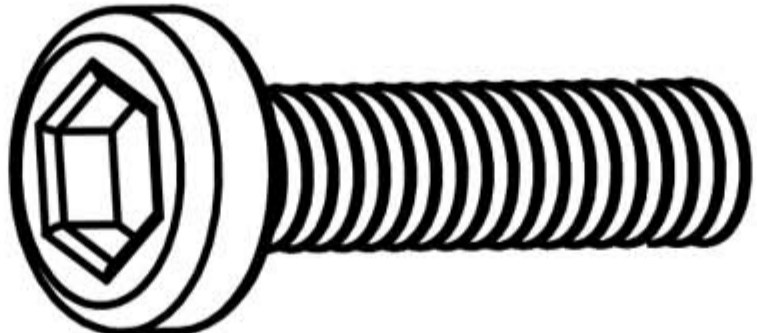
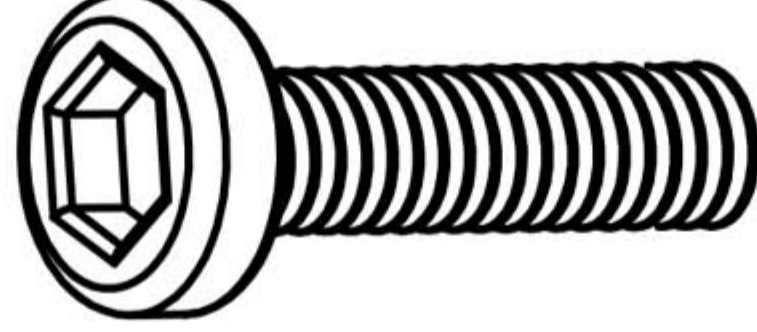
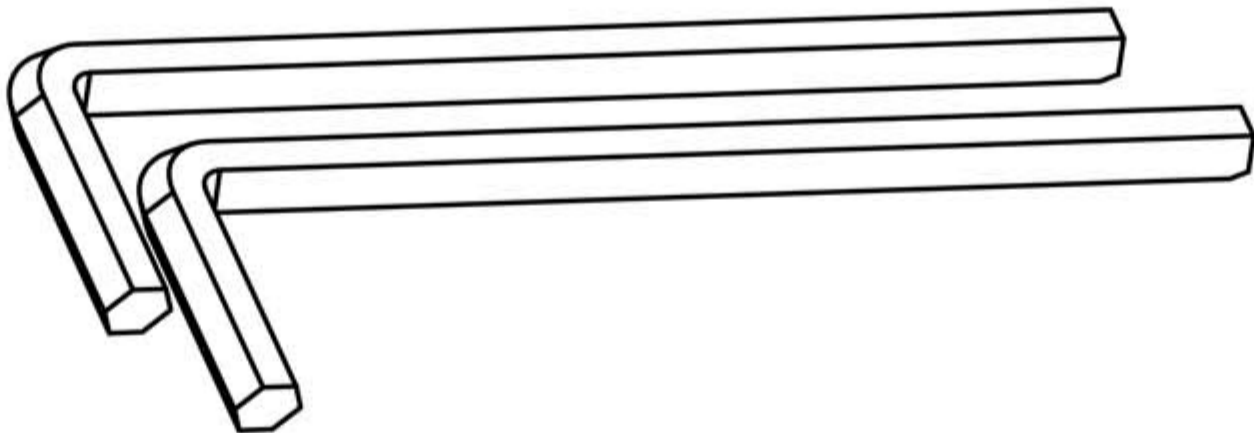
## BOX 2 SKU: CSK24G051-2

Item no.	Reference Image	Qty.
<b>E</b>		2
<b>E1</b>		2
<b>F</b>		4

Please keep the screws carefully during the assembly process and contact us by email if they are missing.

➔ ✉ E-mail: [cs.helper01@gmail.com](mailto:cs.helper01@gmail.com)

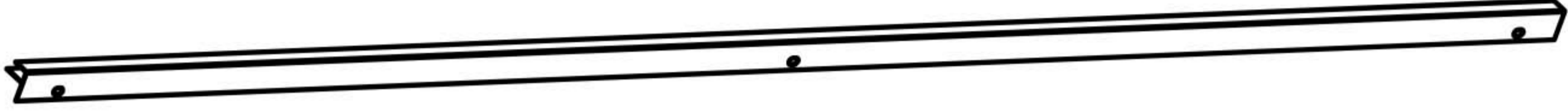

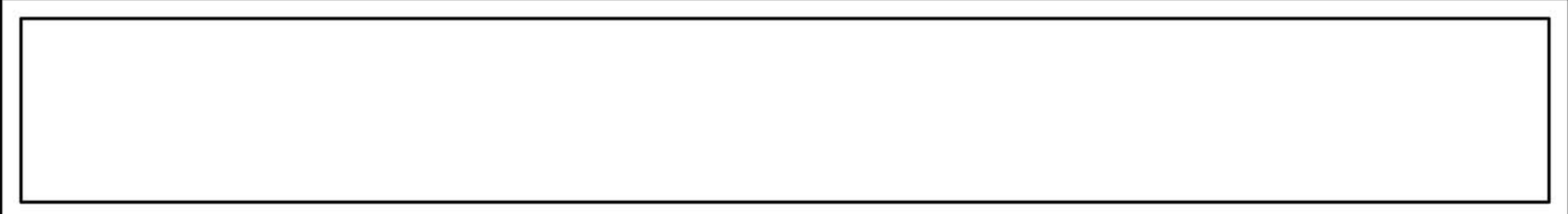
# ACCESSORY CATALOGUE

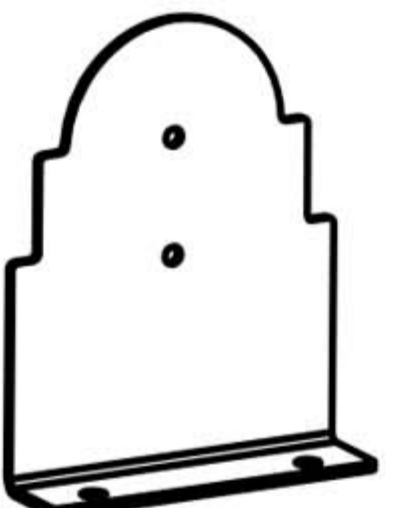
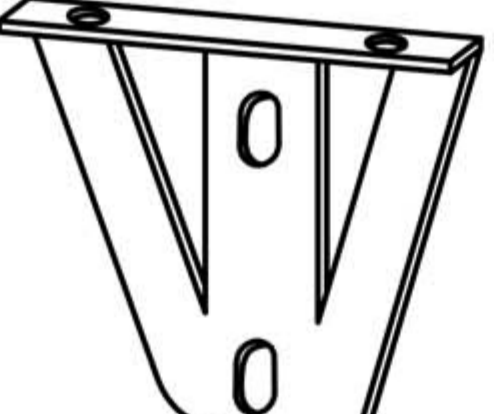
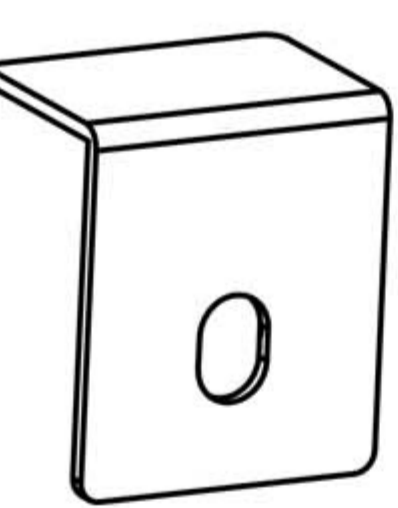
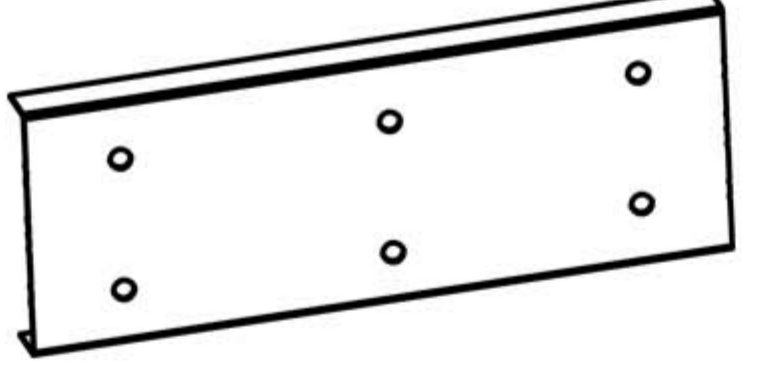

Item no.	Reference Image	Qty.
F1		4
H		6
I		2
K		2
X	 M8X20mm	14
X1	 M8X45mm	22
X2	 M8X30mm	32
X3	 M8X55mm	12
1		1


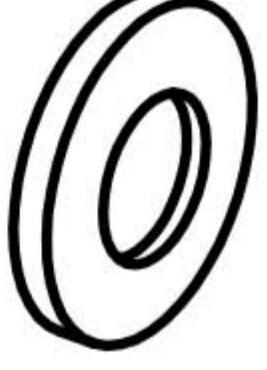


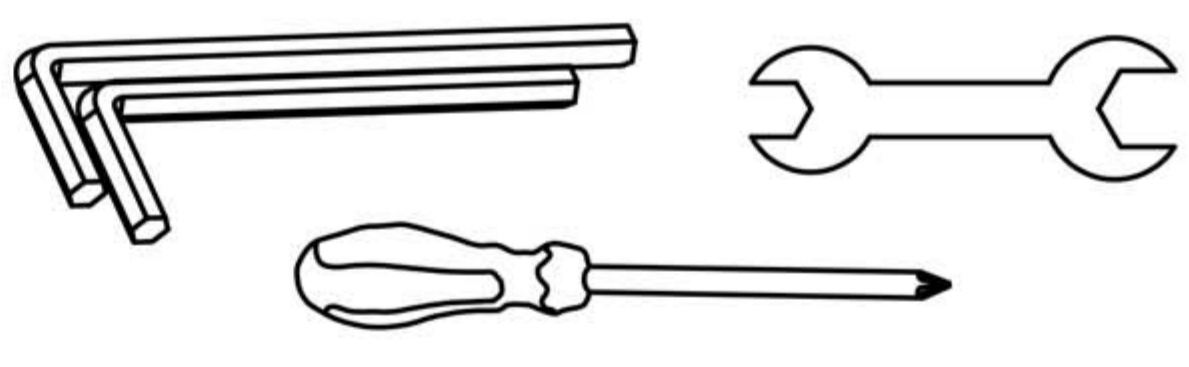
Please keep the screws carefully during the assembly process and contact us by email if they are missing.

# ACCESSORY CATALOGUE

## BOX 3 SKU: CSK24G051-3

Item no.	Reference Image	Qty.
<b>G</b>		2
<b>G1</b>		10
<b>J</b>		2

Item no.	Reference Image	Qty.
<b>L</b>		16
<b>M1</b>		4
<b>M2</b>		12
<b>T</b>		2
<b>X4</b>	 M6X15mm	16


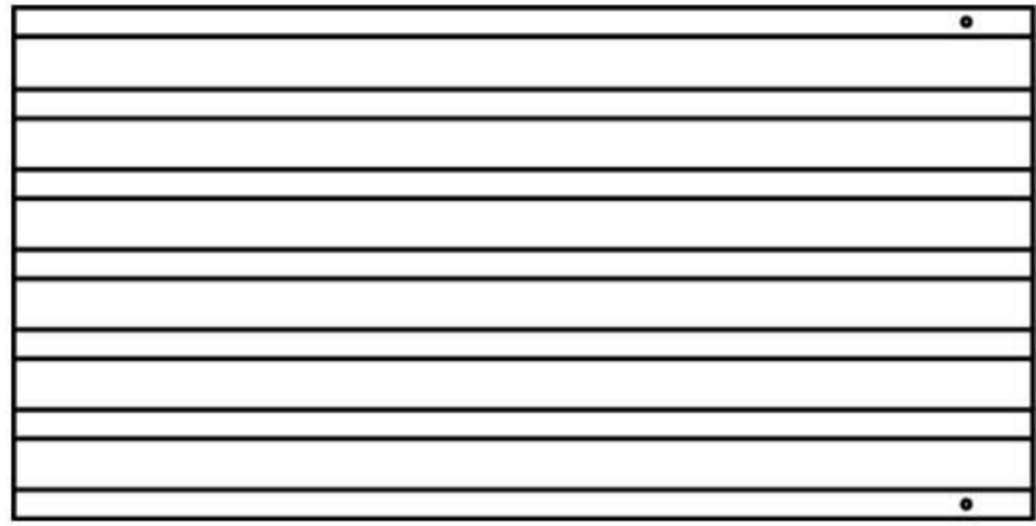

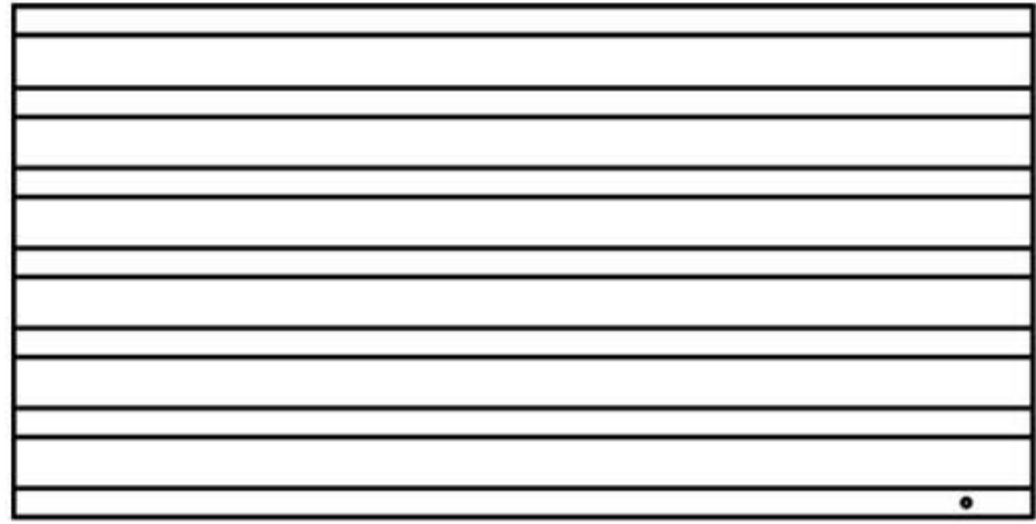
Item no.	Reference Image	Qty.
<b>X5</b>	 M5X35mm	6
<b>X6</b>		24
<b>X7</b>	 M4X25mm	50
<b>2</b>		8
<b>3</b>		1


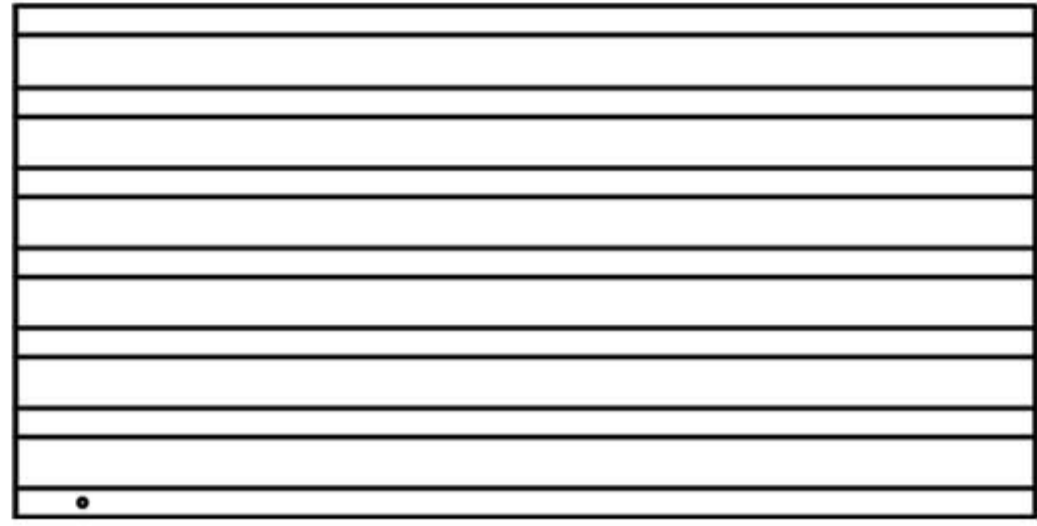
Please keep the screws carefully during the assembly process and contact us by email if they are missing.

➔ ✉ E-mail: [cs.helper01@gmail.com](mailto:cs.helper01@gmail.com)

# ACCESSORY CATALOGUE

## BOX 4 SKU: CSK24G051-4

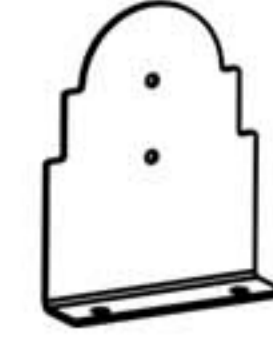
Item no.	Reference Image	Qty.
		10
		2

Item no.	Reference Image	Qty.
		2

Please keep the screws carefully during the assembly process and contact us by email if they are missing.

# STEP 1

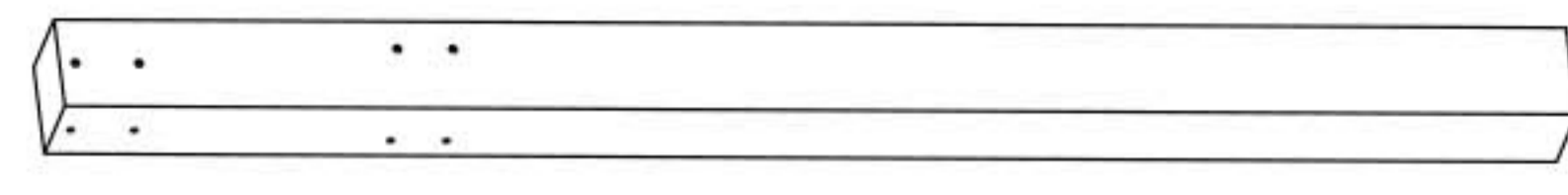
Parts required



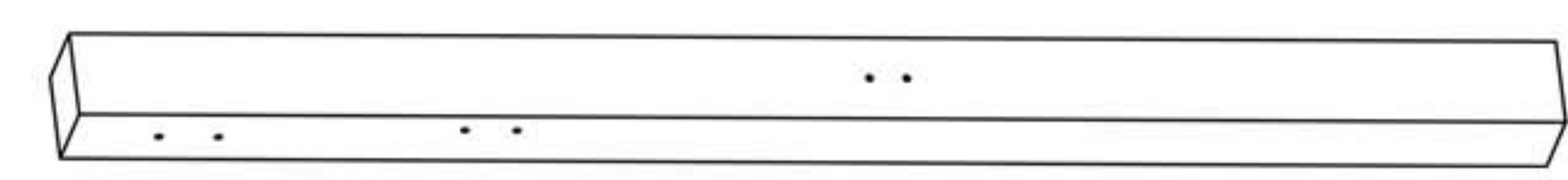
L 16pcs



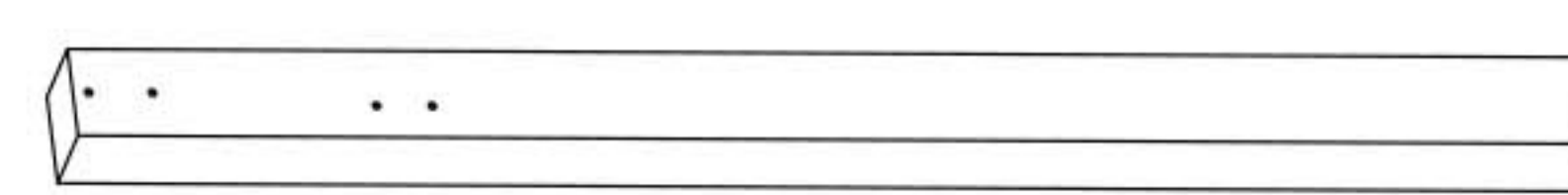
X7 32pcs



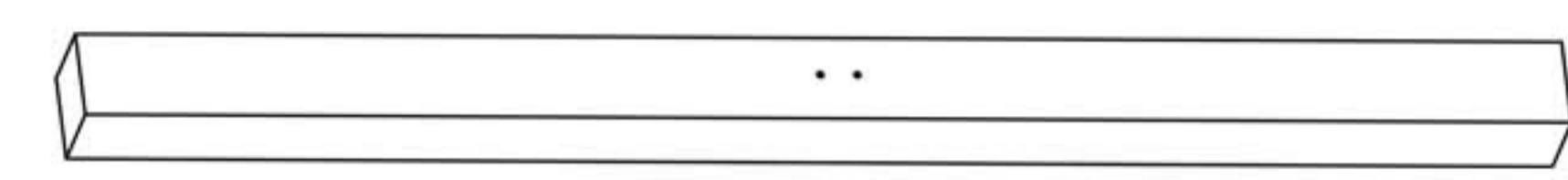
A 1pcs



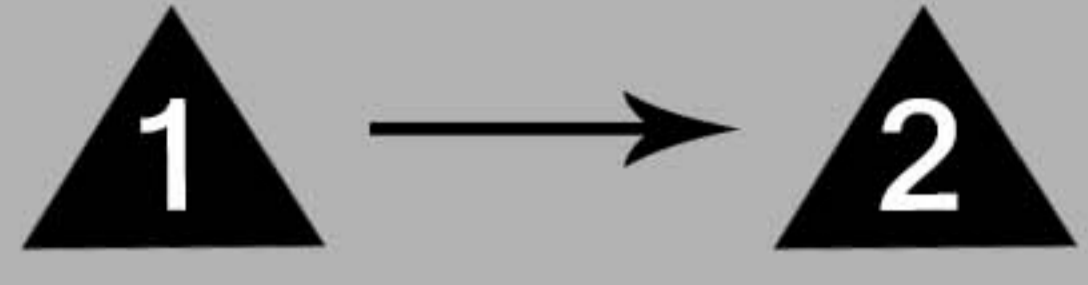
C 1pcs



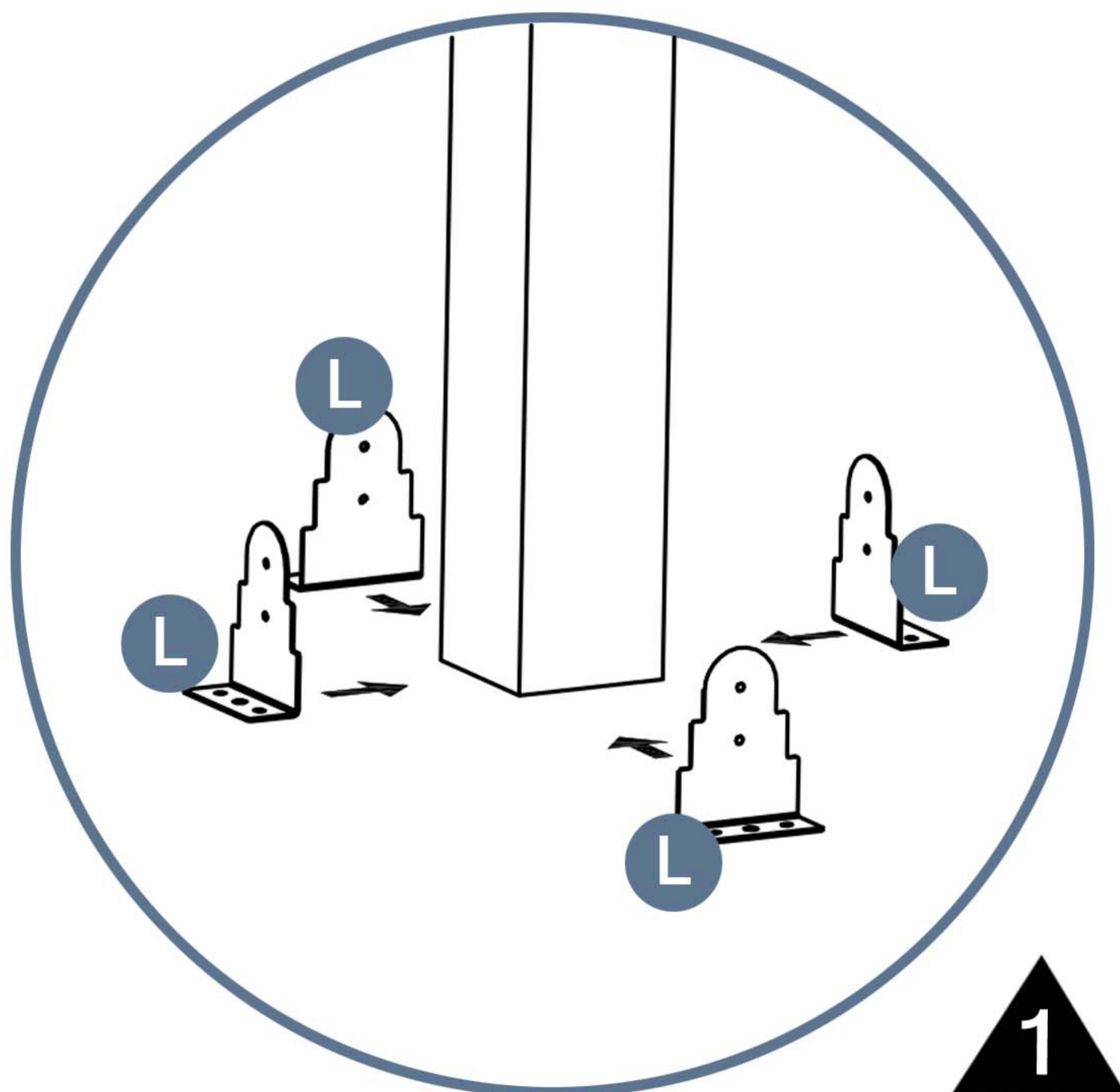
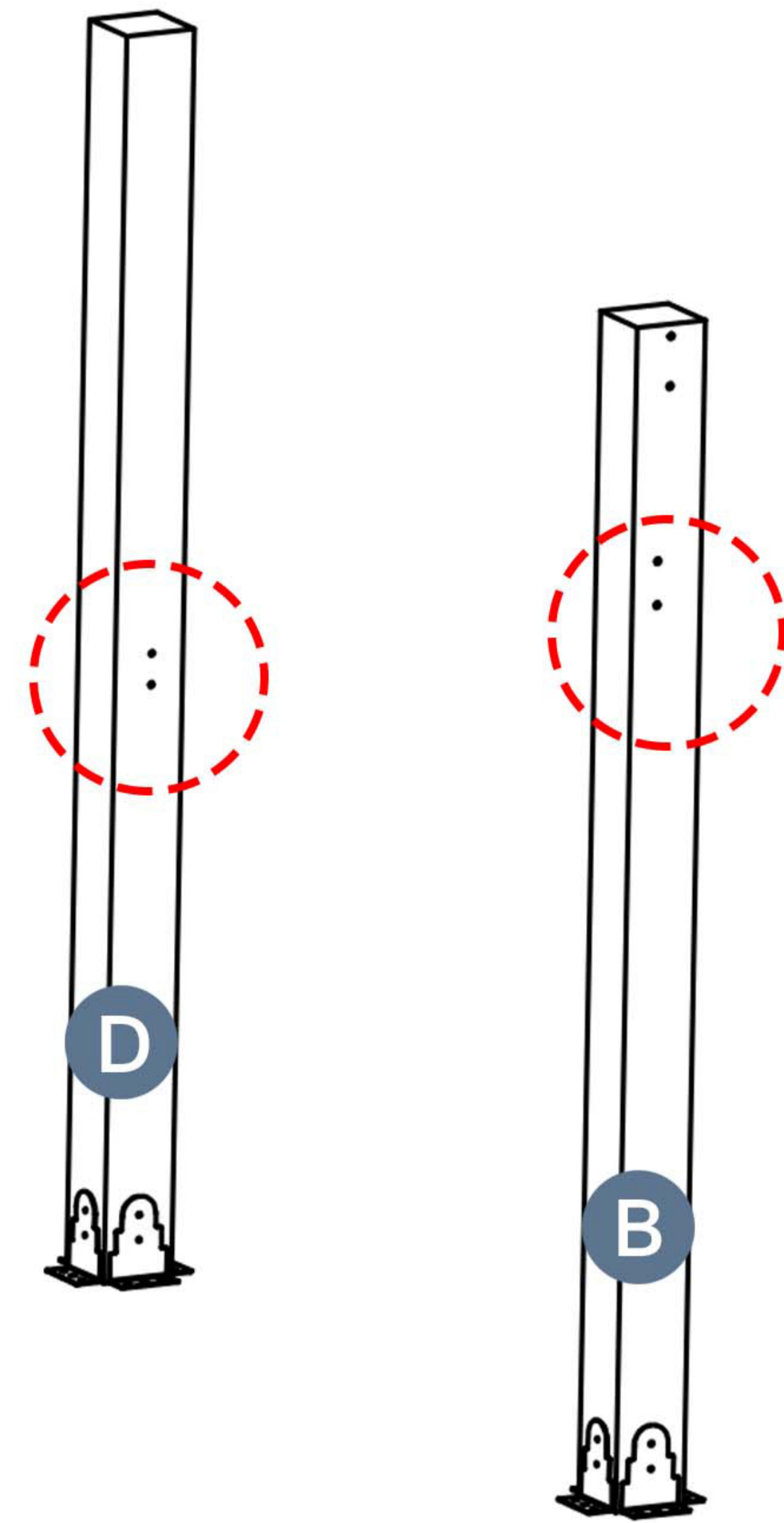
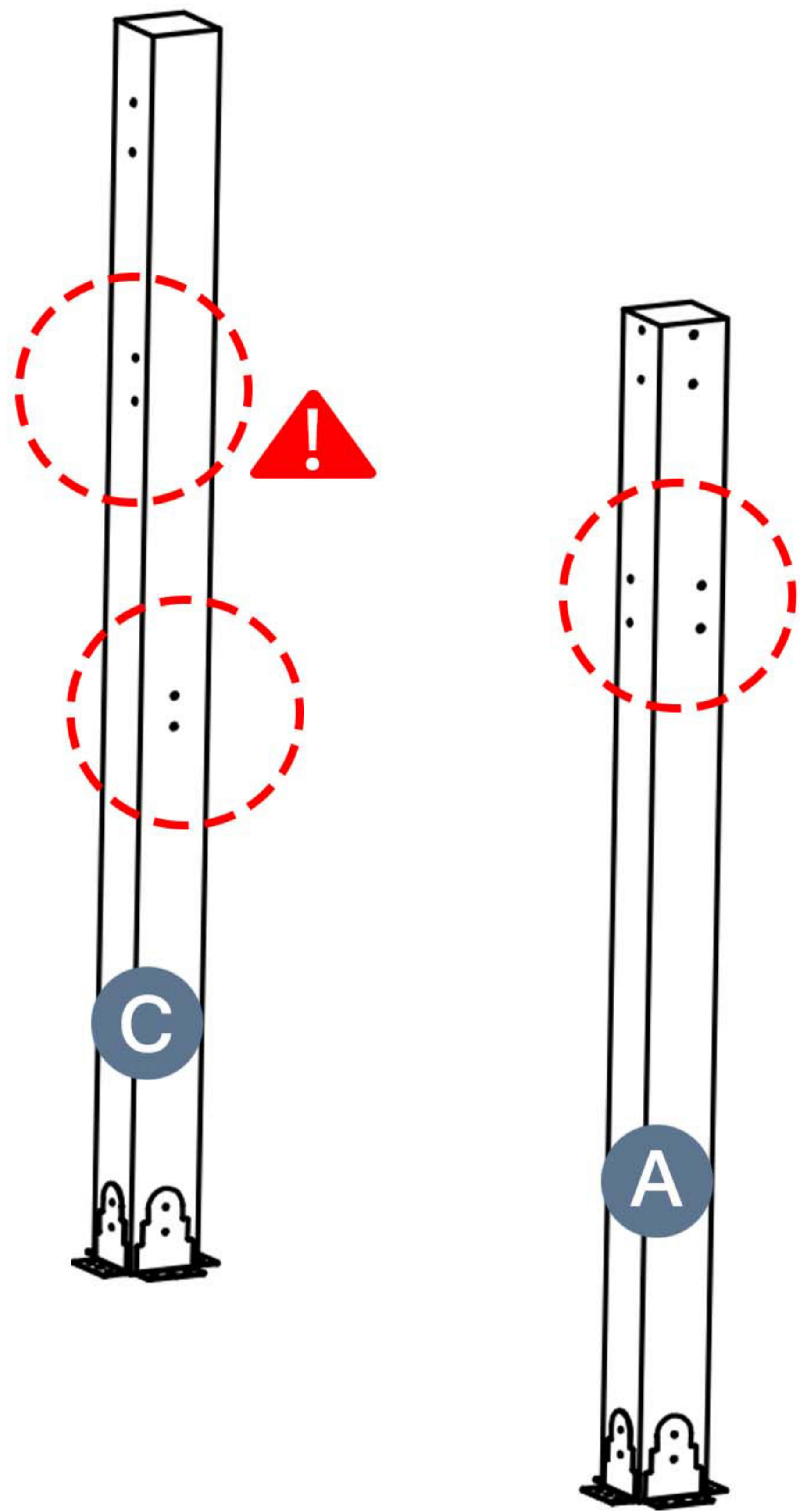
B 1pcs



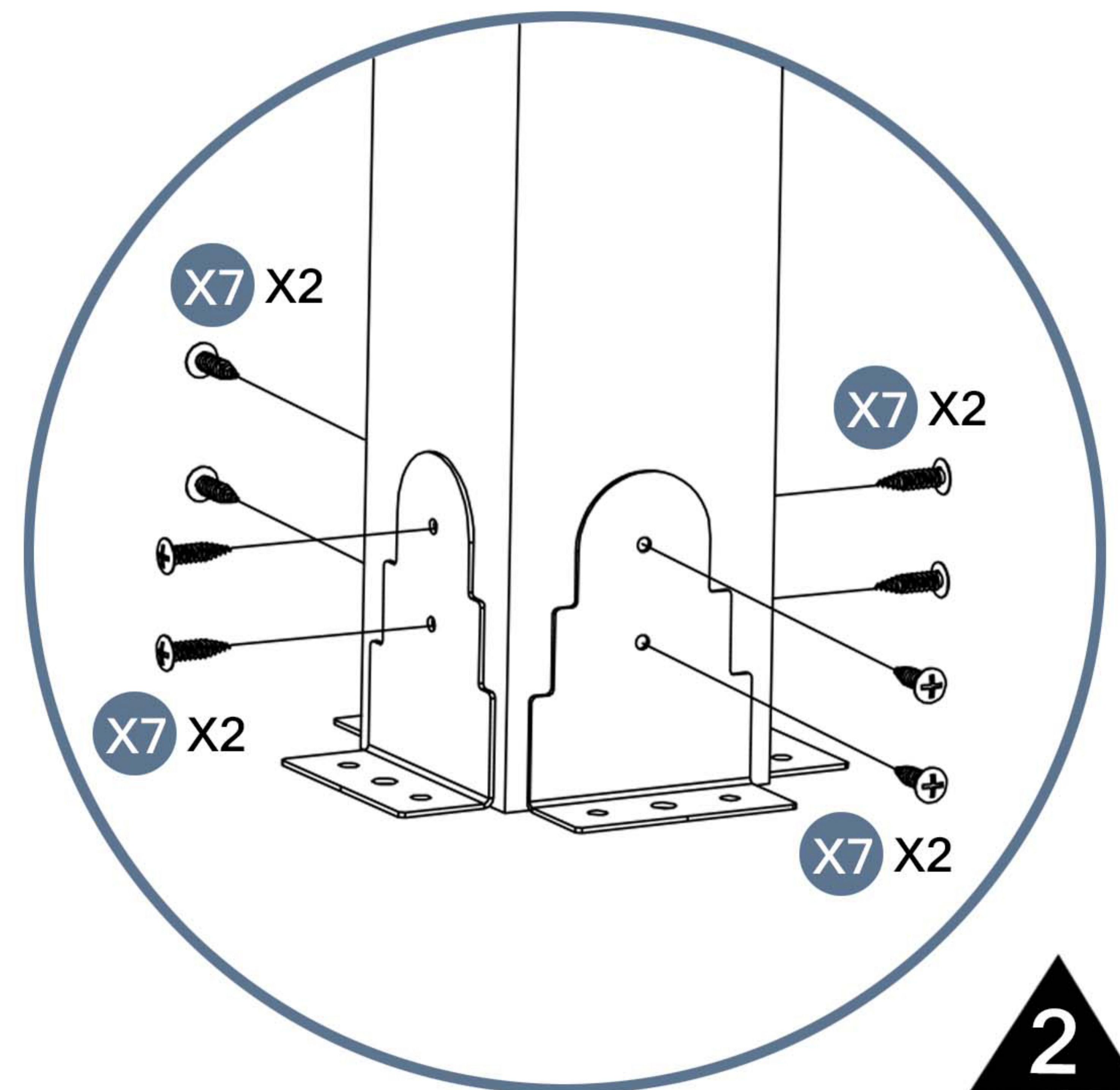
D 1pcs



⚠ Please note the orientation of the hole.



1



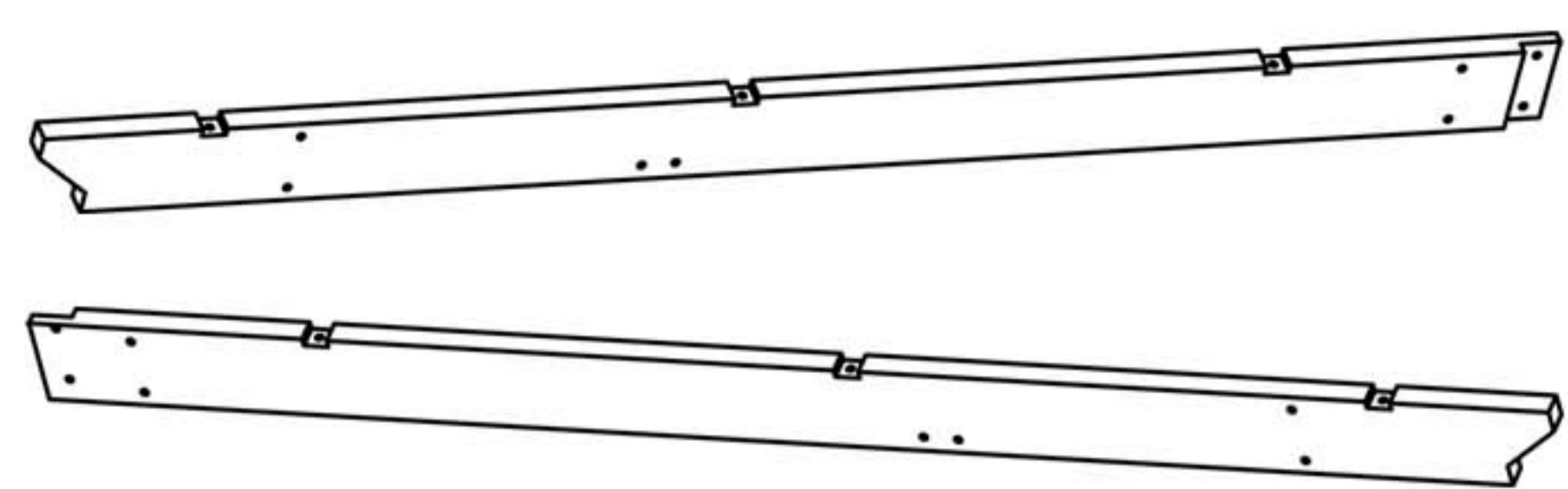
2

Please keep the screws carefully during the assembly process and contact us by email if they are missing.

➔ ✉ E-mail: [cs.helper01@gmail.com](mailto:cs.helper01@gmail.com)

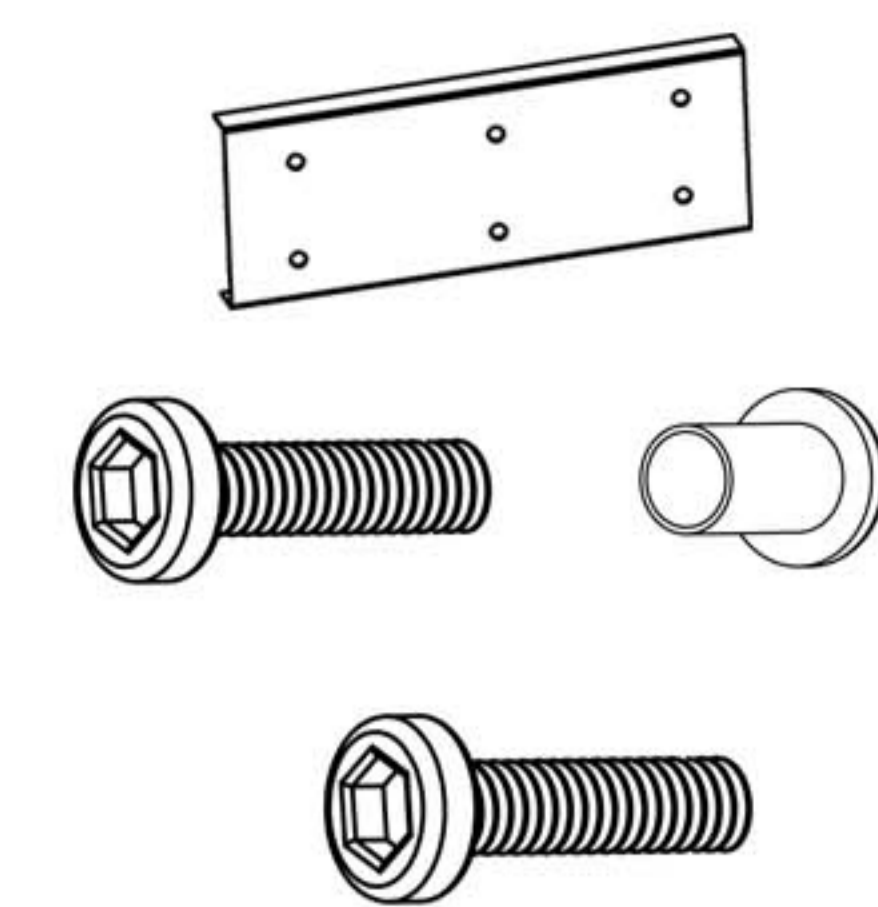
# STEP 2

Parts required



E 2pcs

E1 2pcs

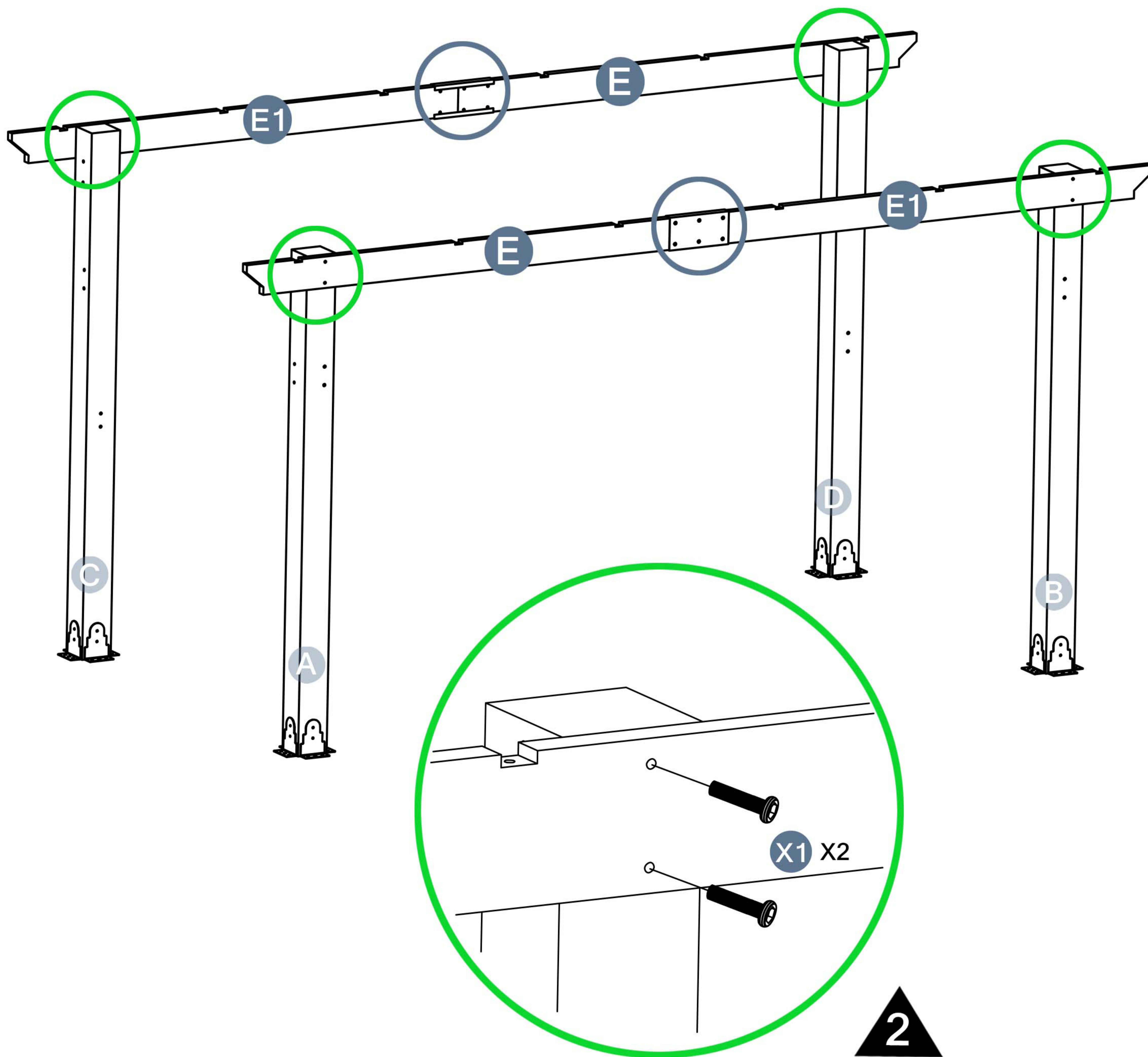
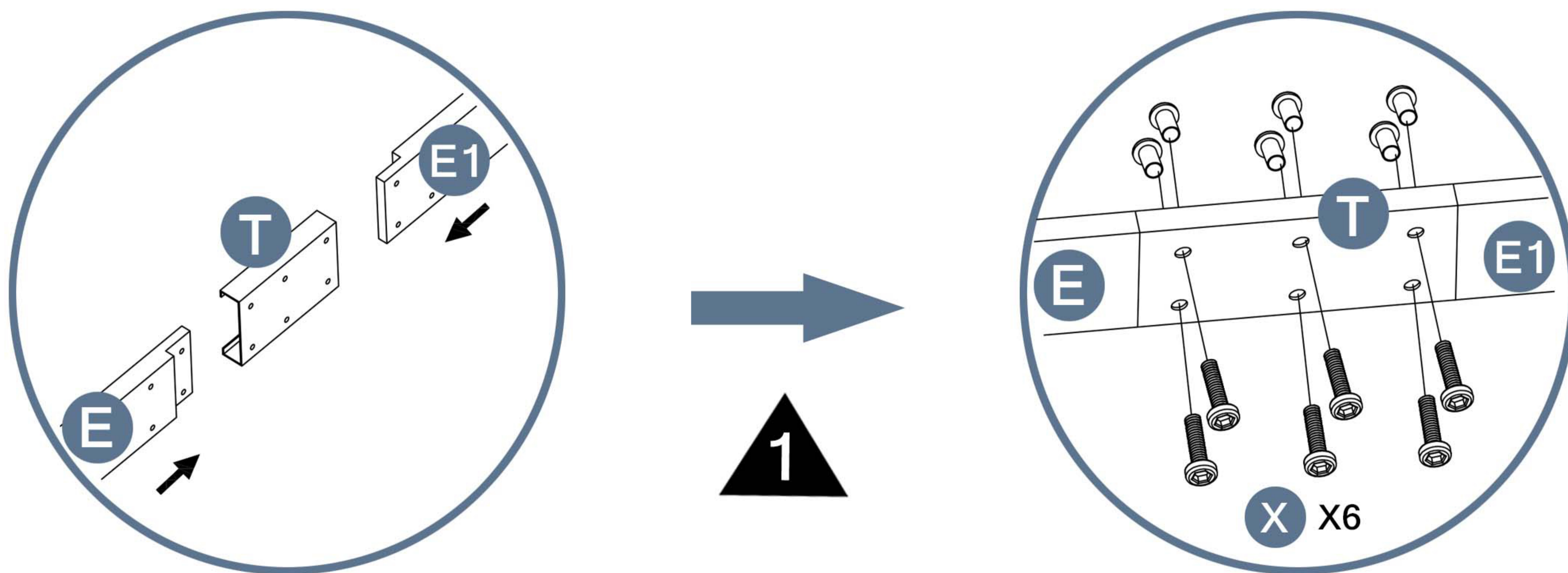


T 2pcs

X 12pcs

X1 8pcs

1 → 2

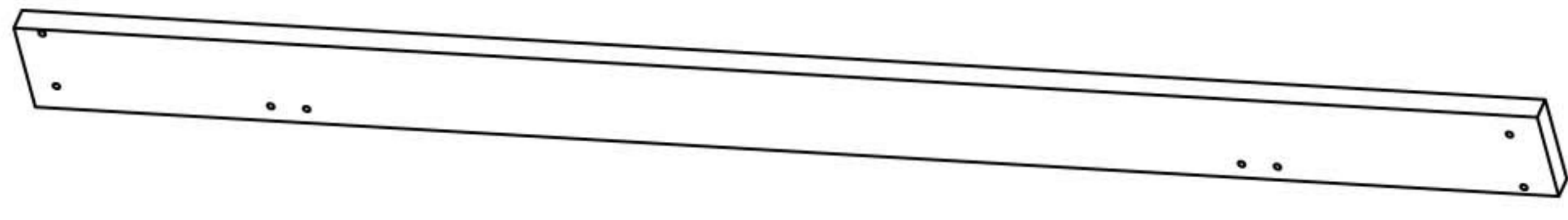


Please keep the screws carefully during the assembly process and contact us by email if they are missing.

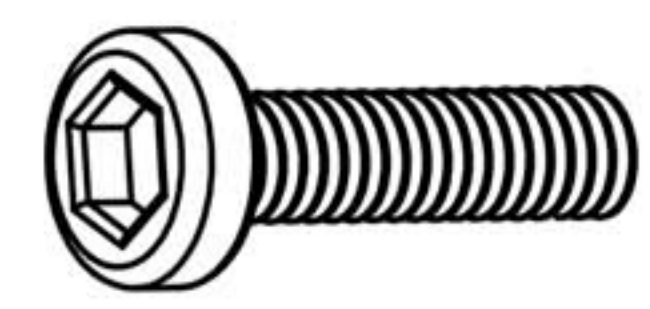
→ ✉ E-mail: [cs.helper01@gmail.com](mailto:cs.helper01@gmail.com)

# STEP 3

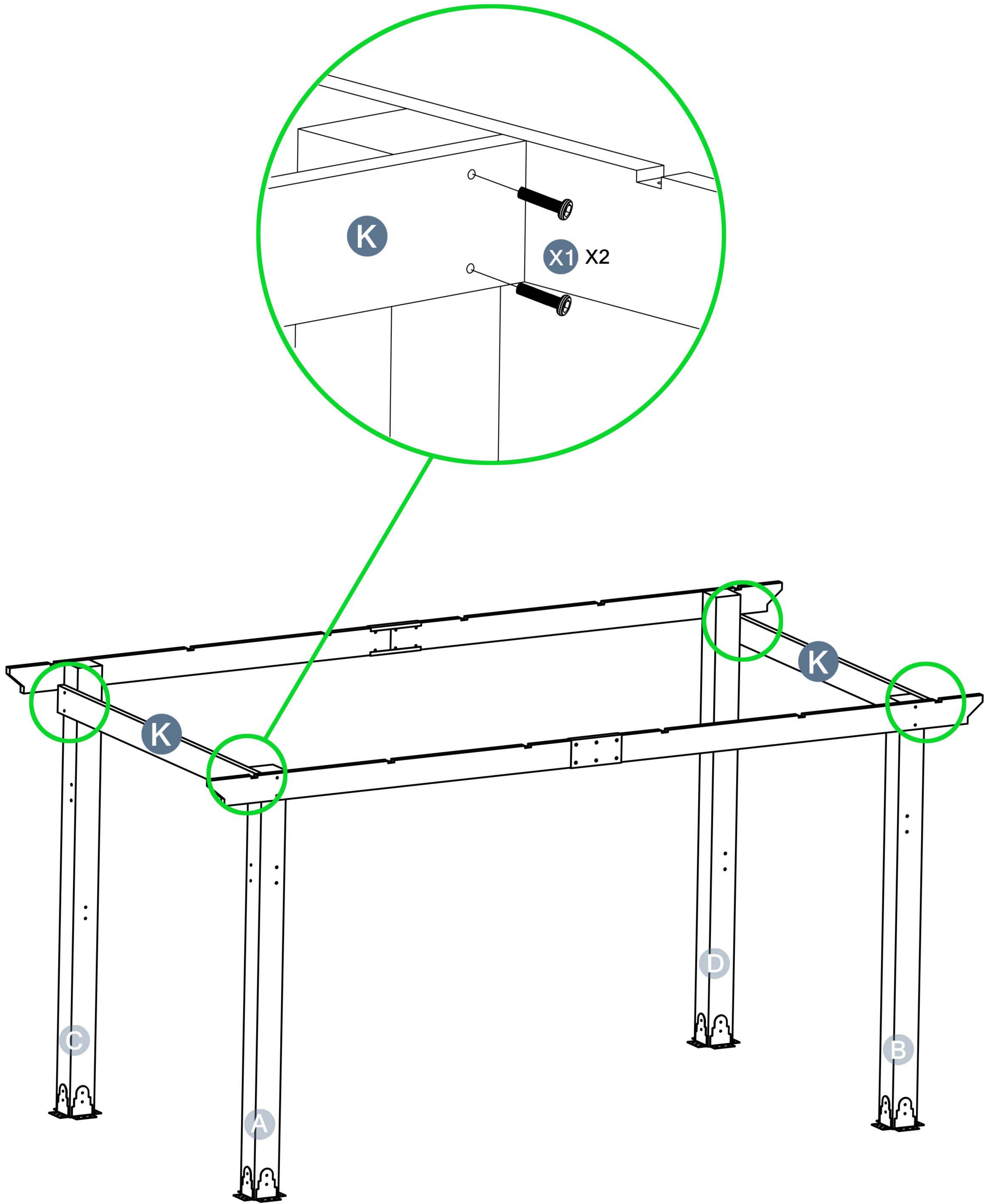
Parts required



**K** 2pcs



**X1** 8pcs

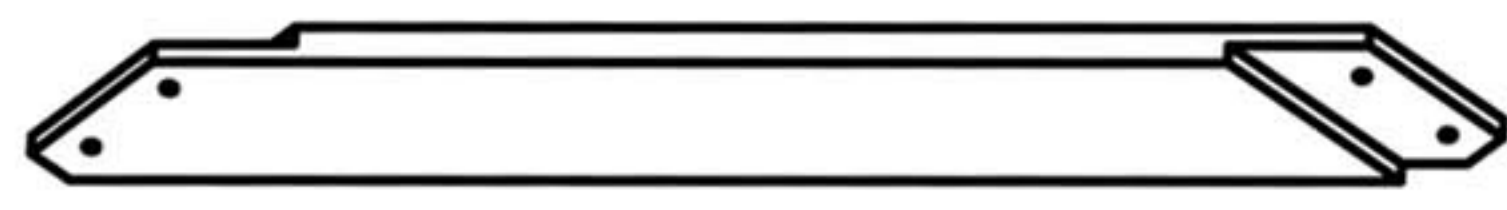


Please keep the screws carefully during the assembly process and contact us by email if they are missing.

➔ ✉ E-mail: [cs.helper01@gmail.com](mailto:cs.helper01@gmail.com)

# STEP 4

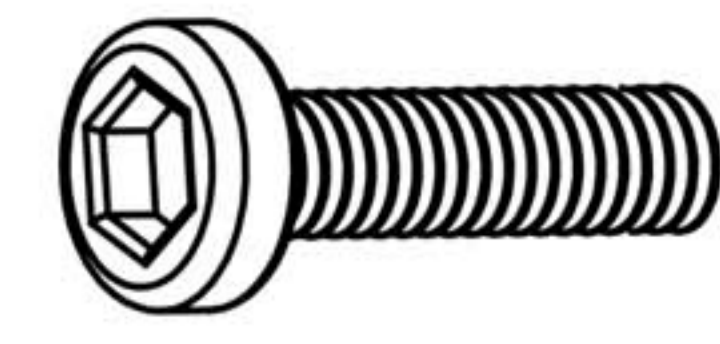
Parts required



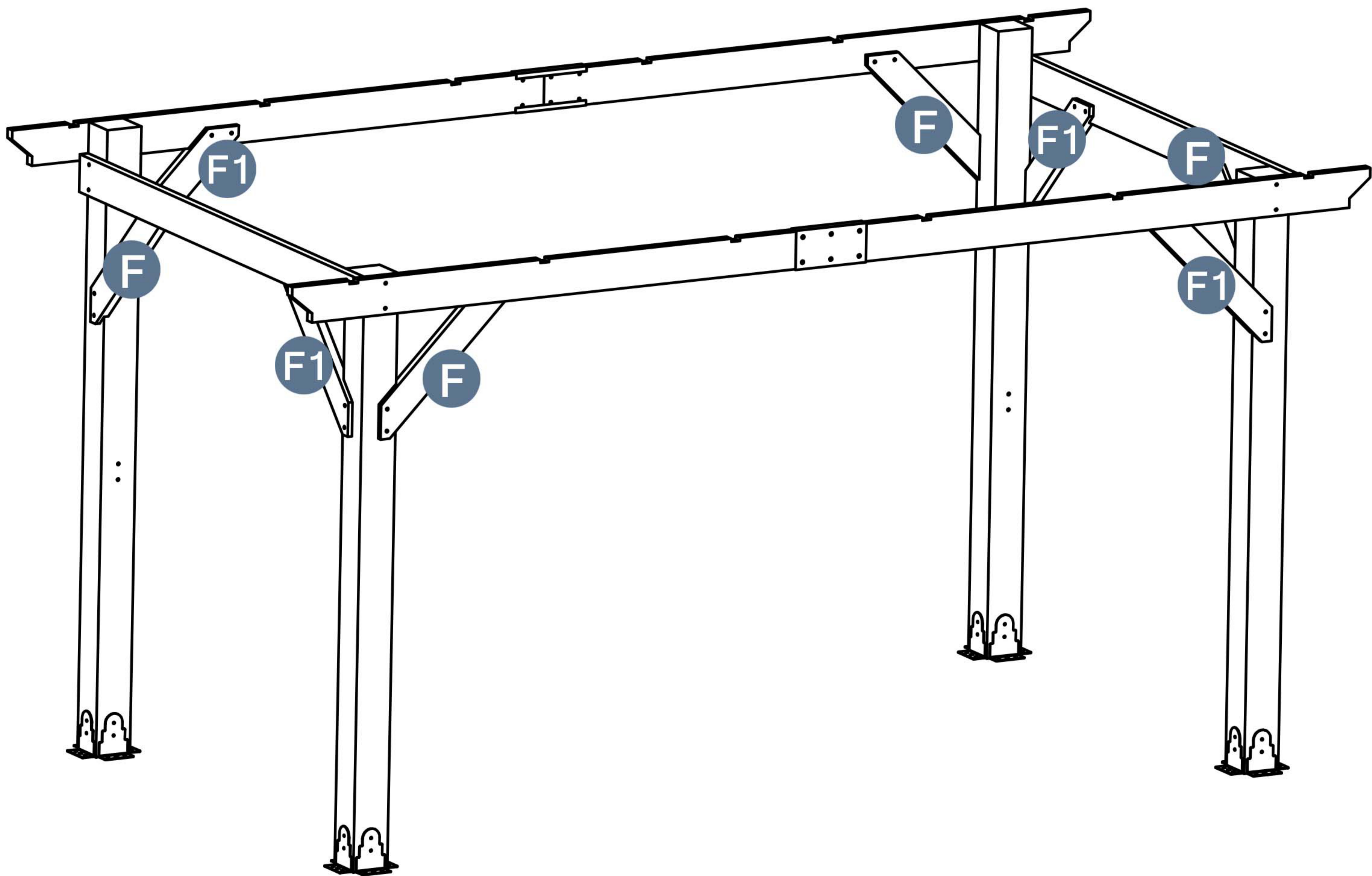
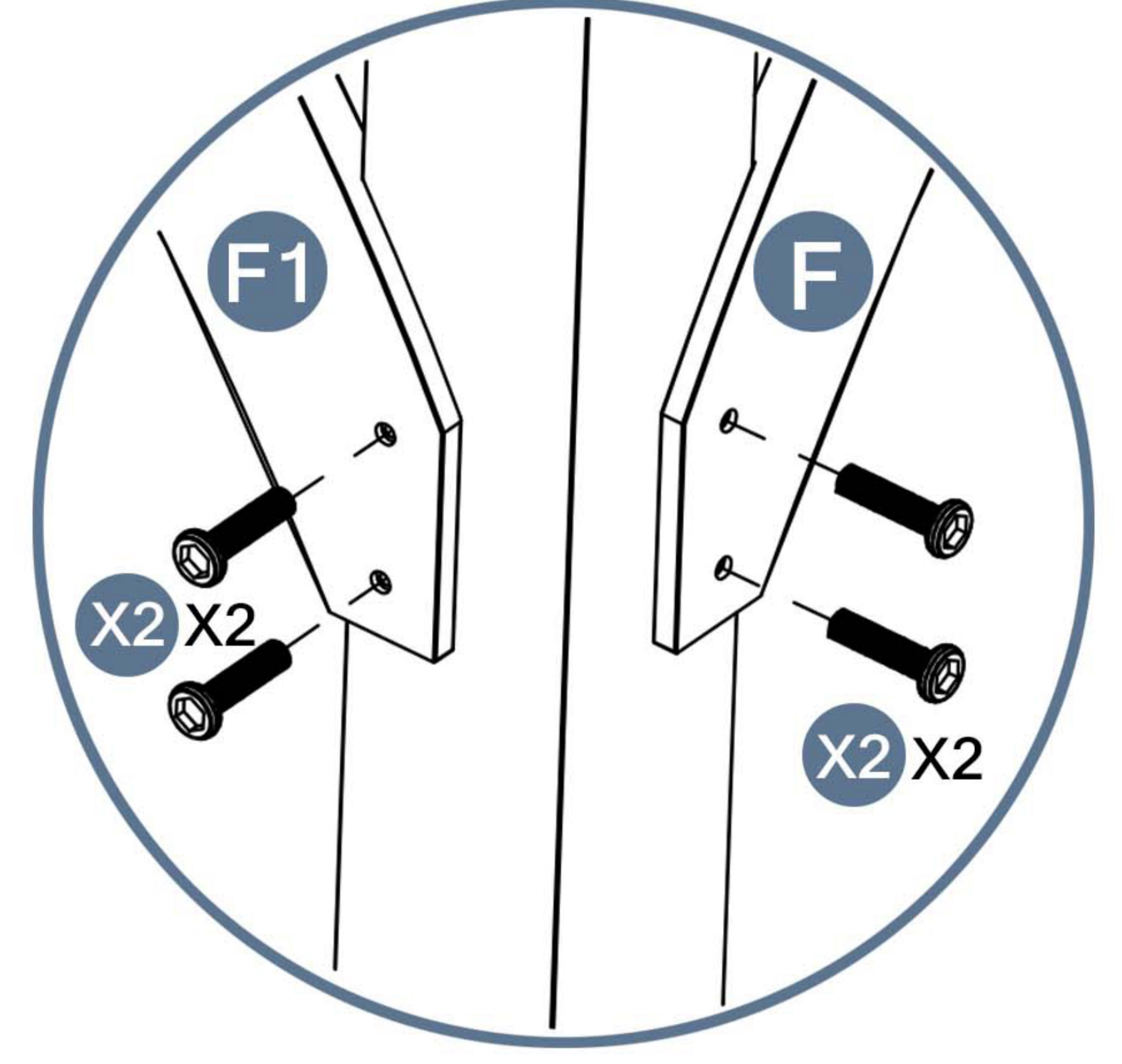
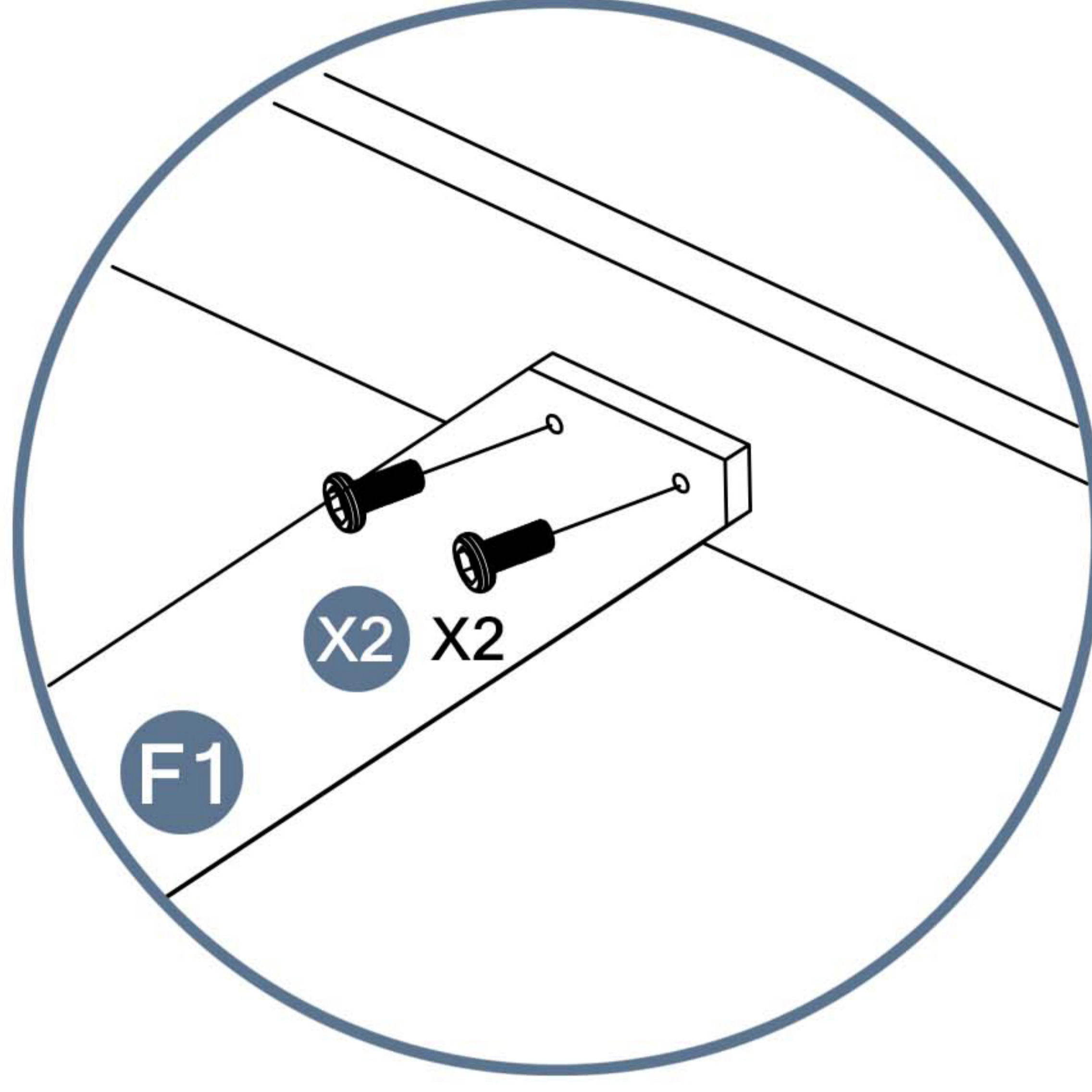
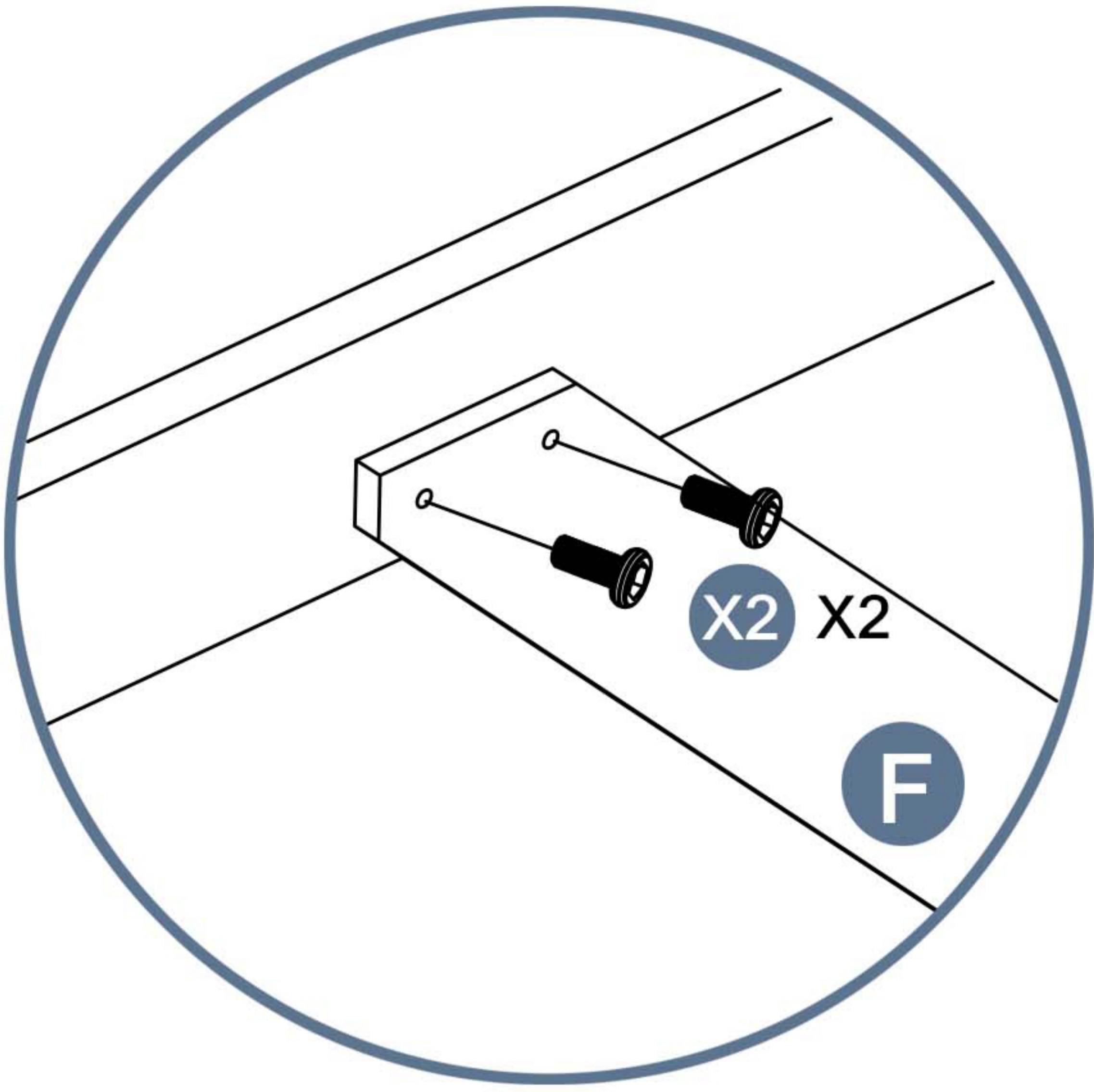
F 4pcs



F1 4pcs



X2 32pcs

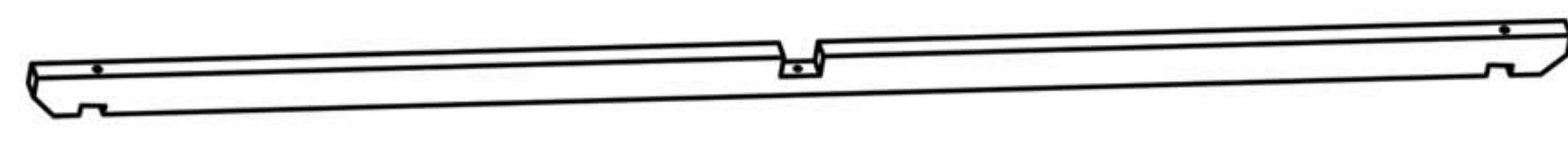


Please keep the screws carefully during the assembly process and contact us by email if they are missing.

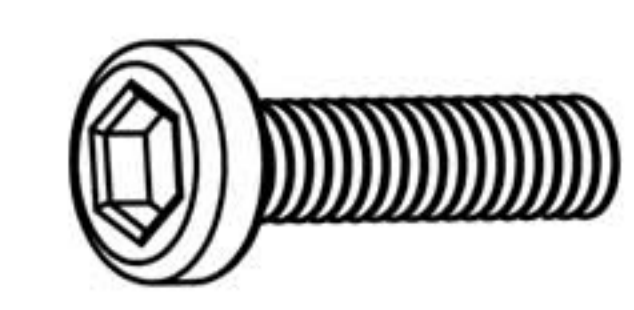


# STEP 5

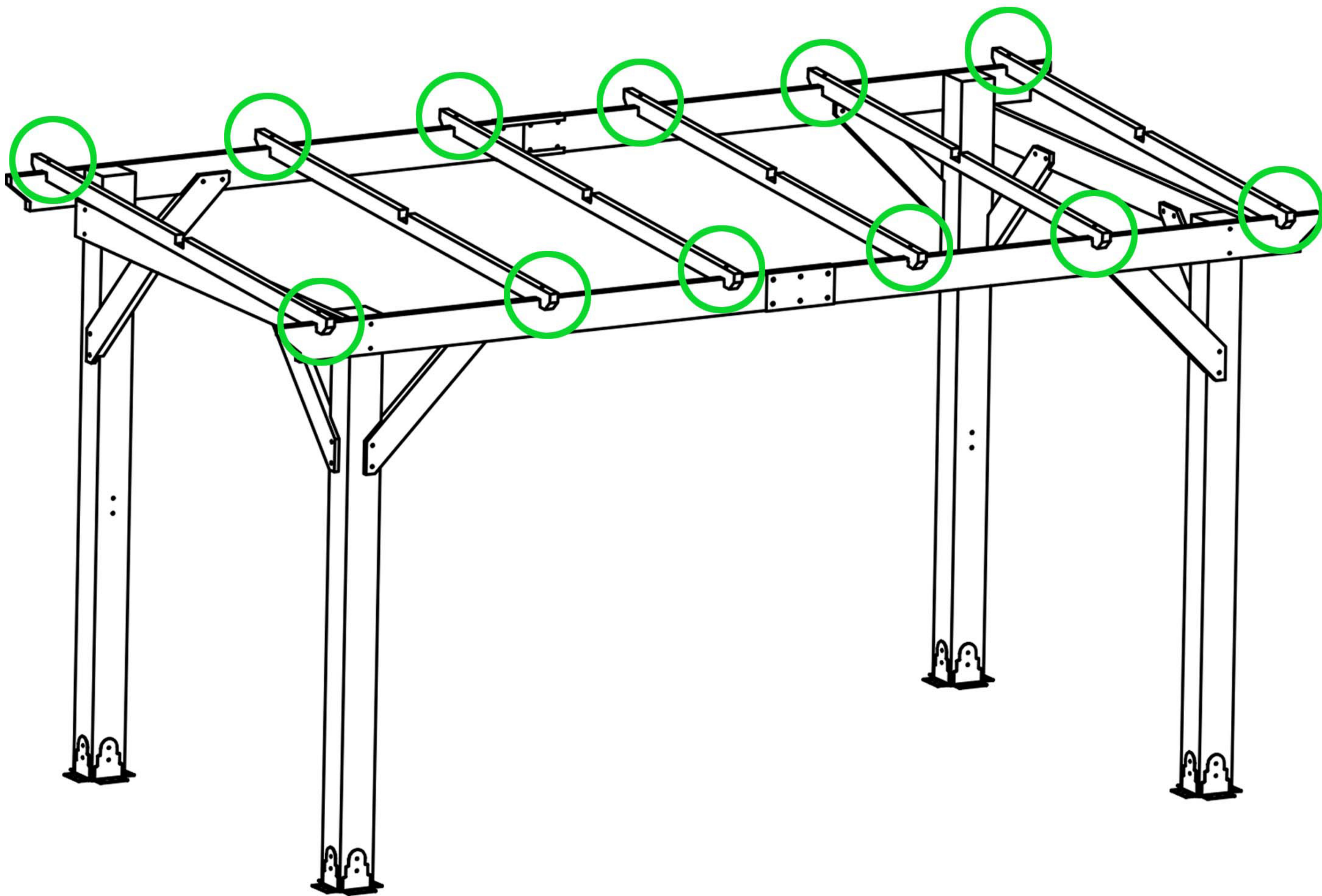
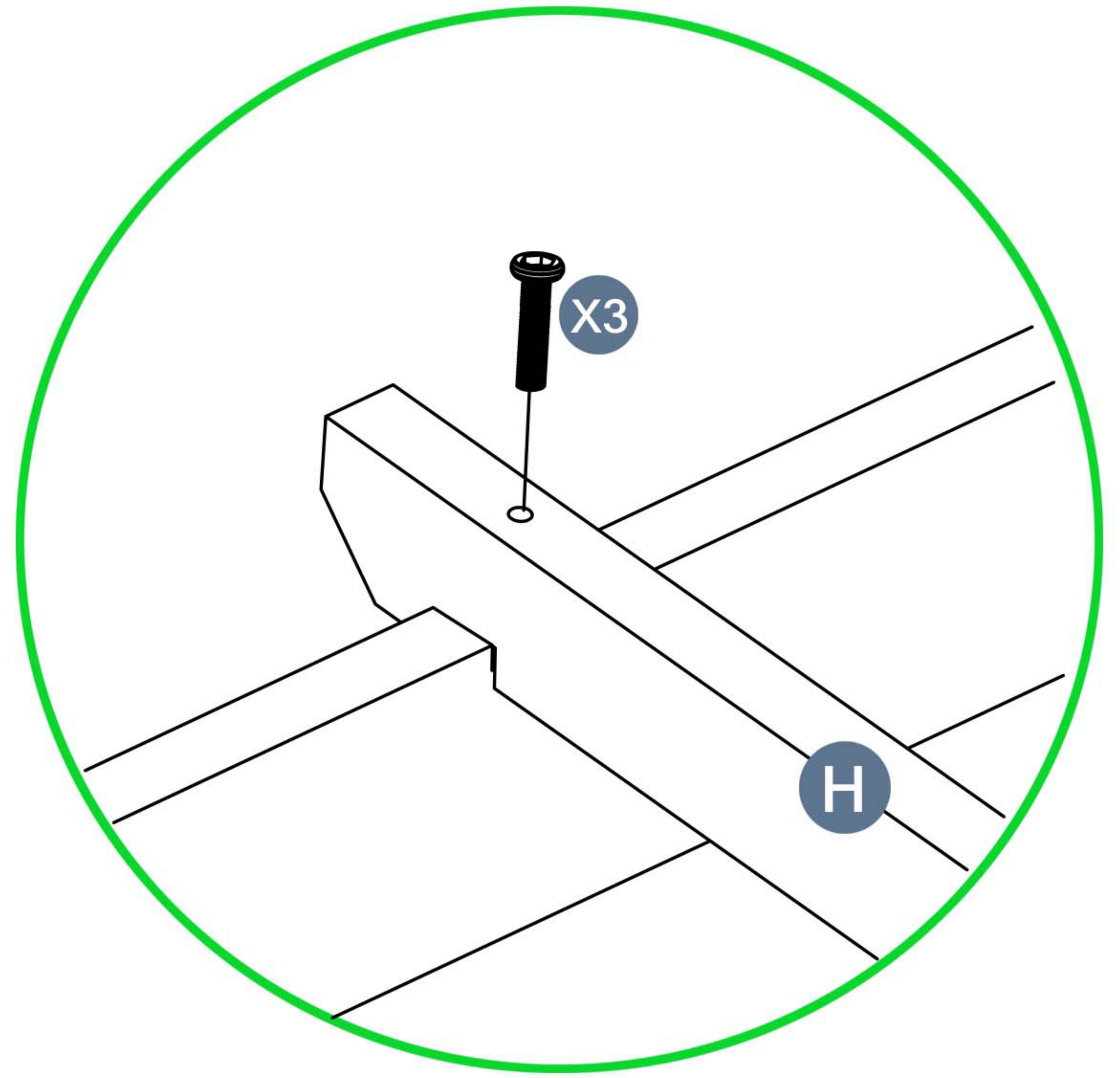
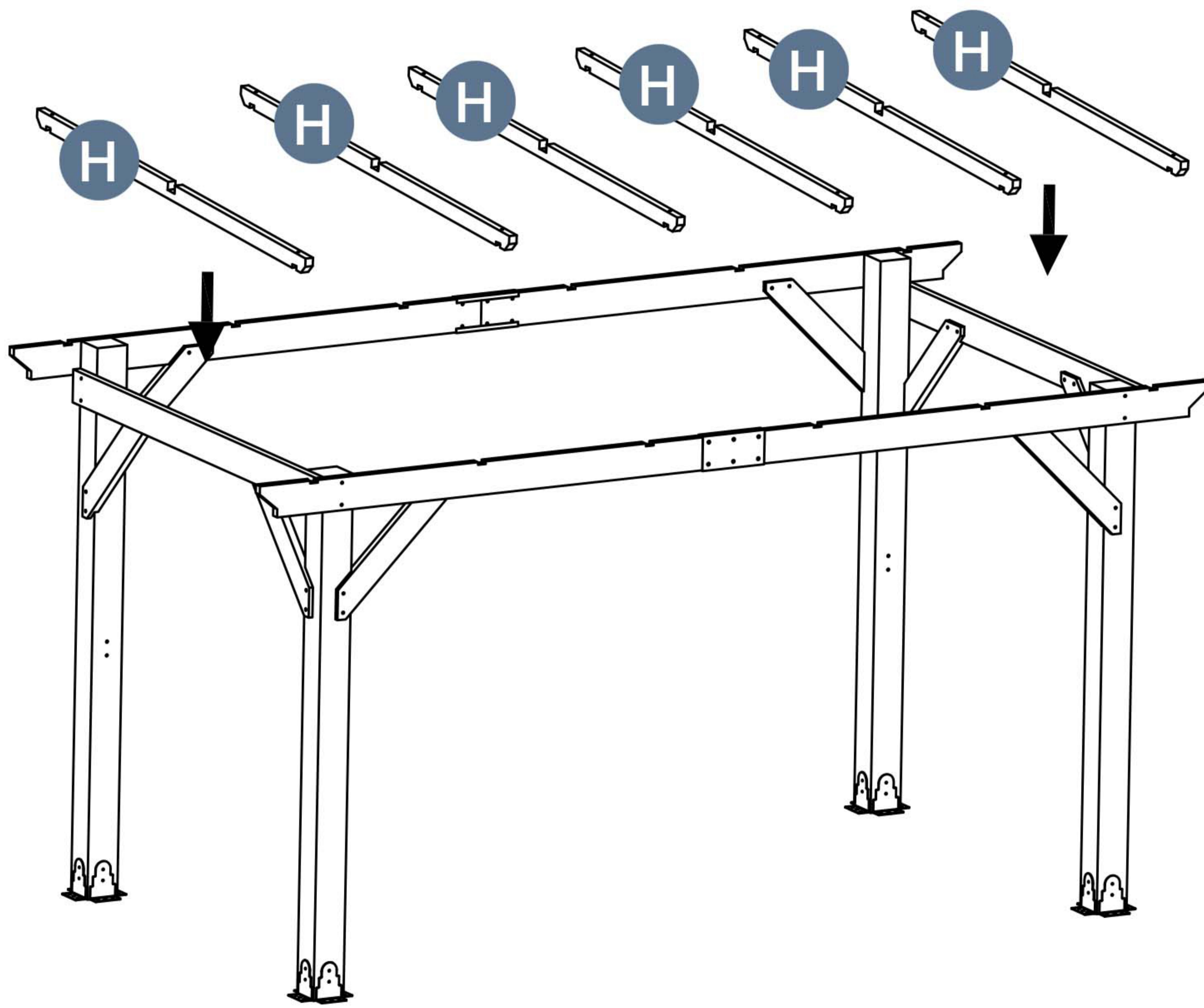
Parts required



H 6pcs



X3 12pcs



Please keep the screws carefully during the assembly process and contact us by email if they are missing.

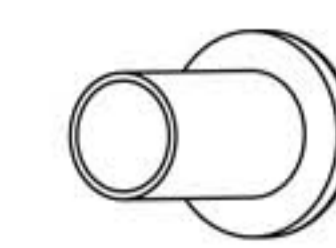
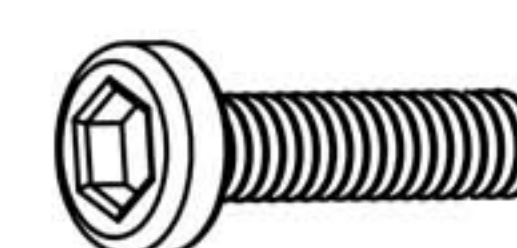
➔ ✉ E-mail: [cs.helper01@gmail.com](mailto:cs.helper01@gmail.com)

# STEP 6

Parts required

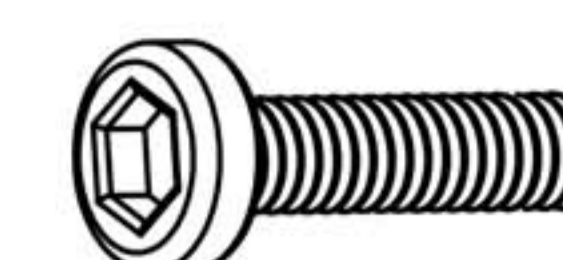


I 2pcs



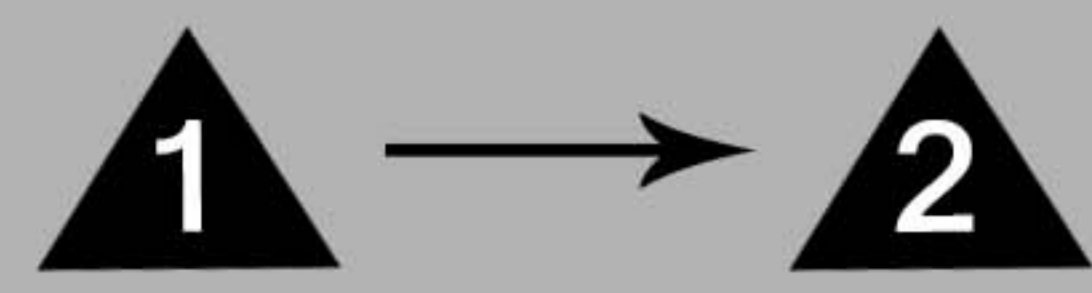
X 2pcs

2pcs

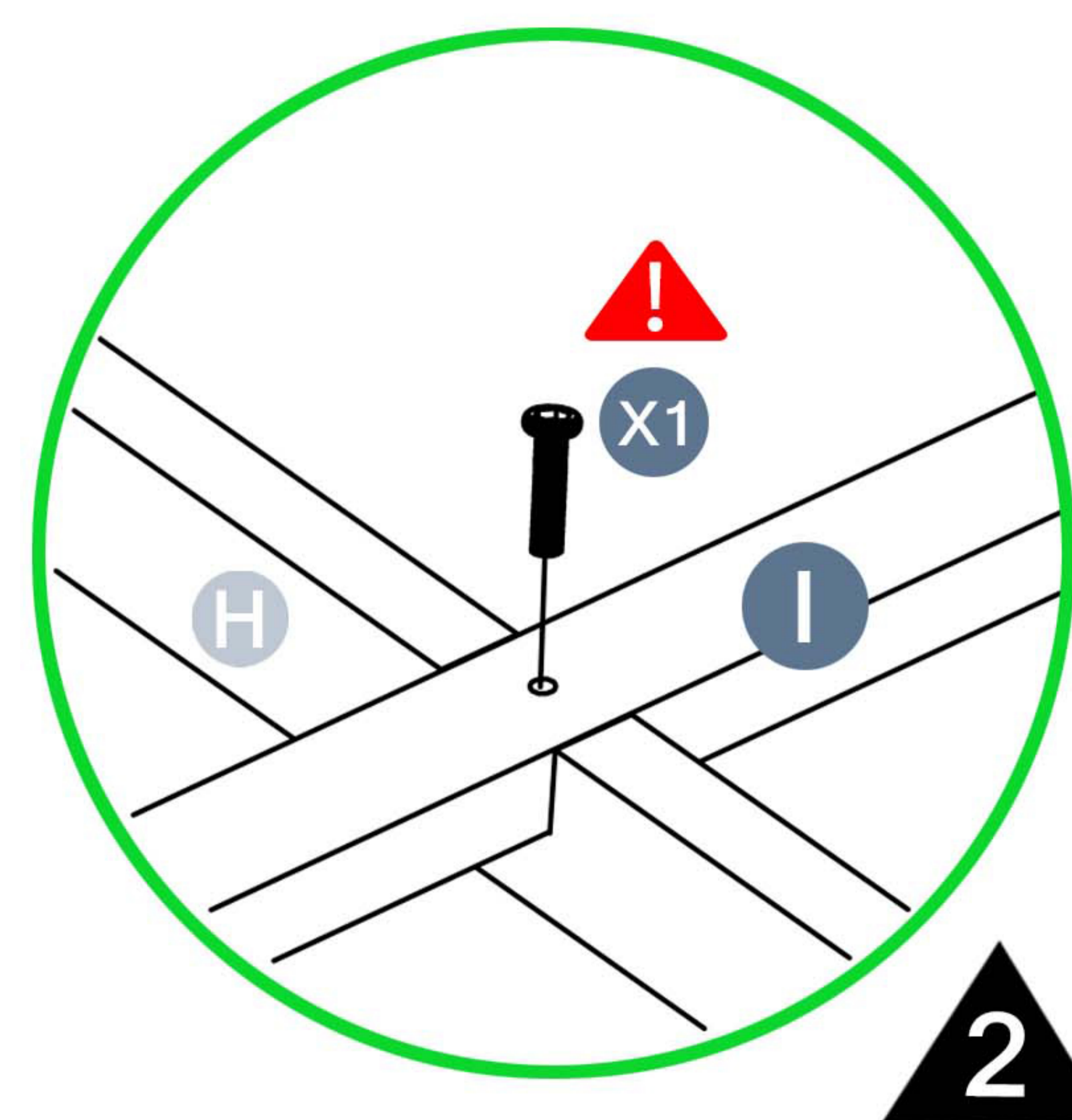
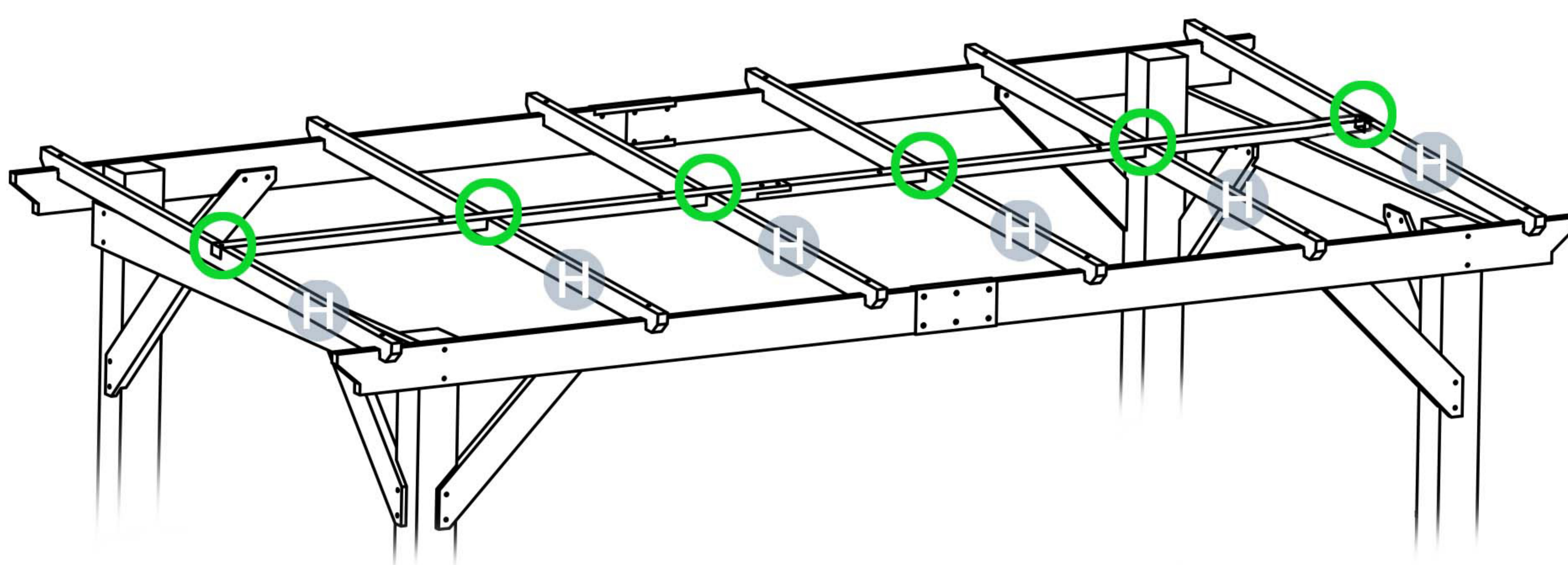
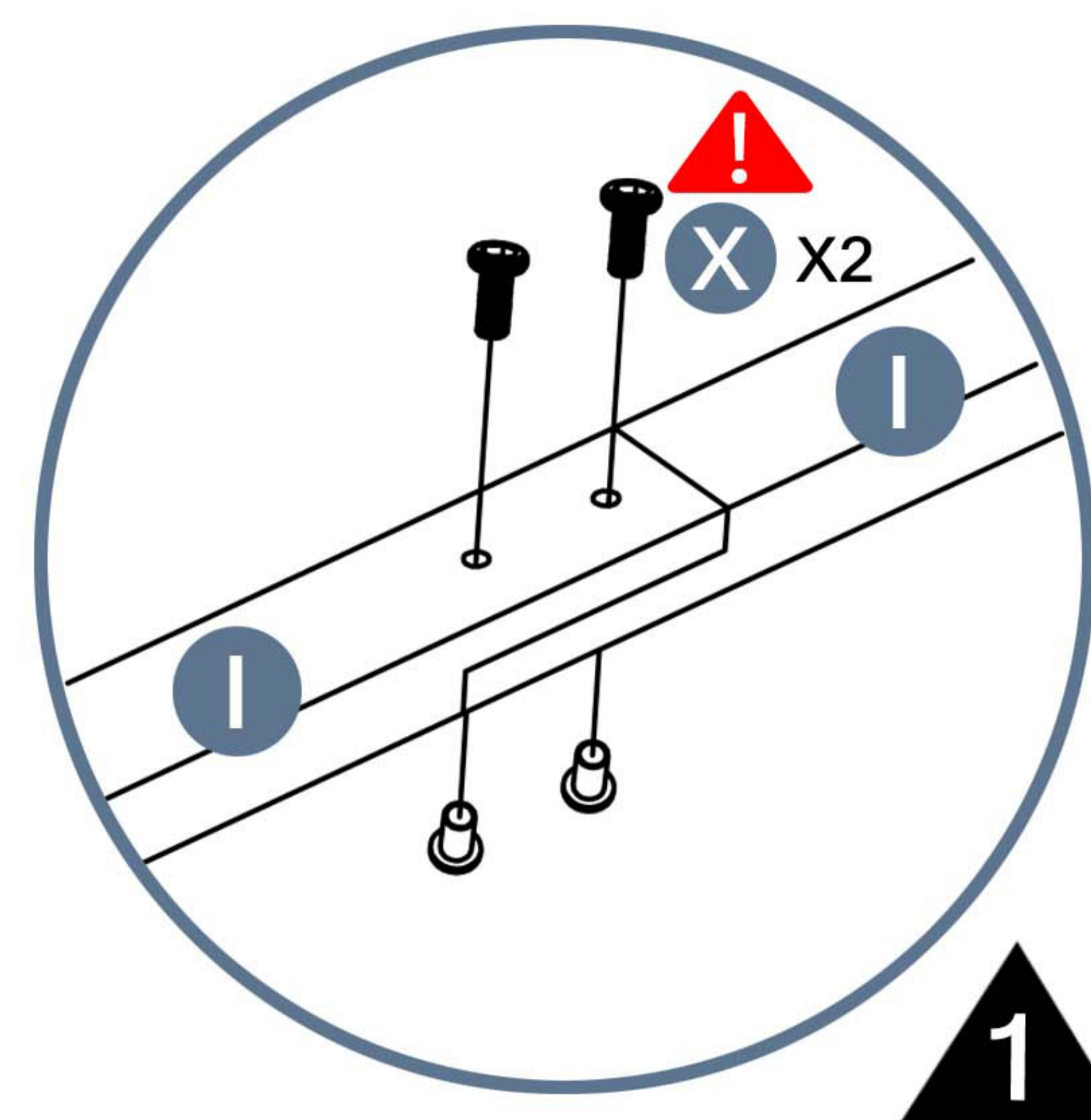
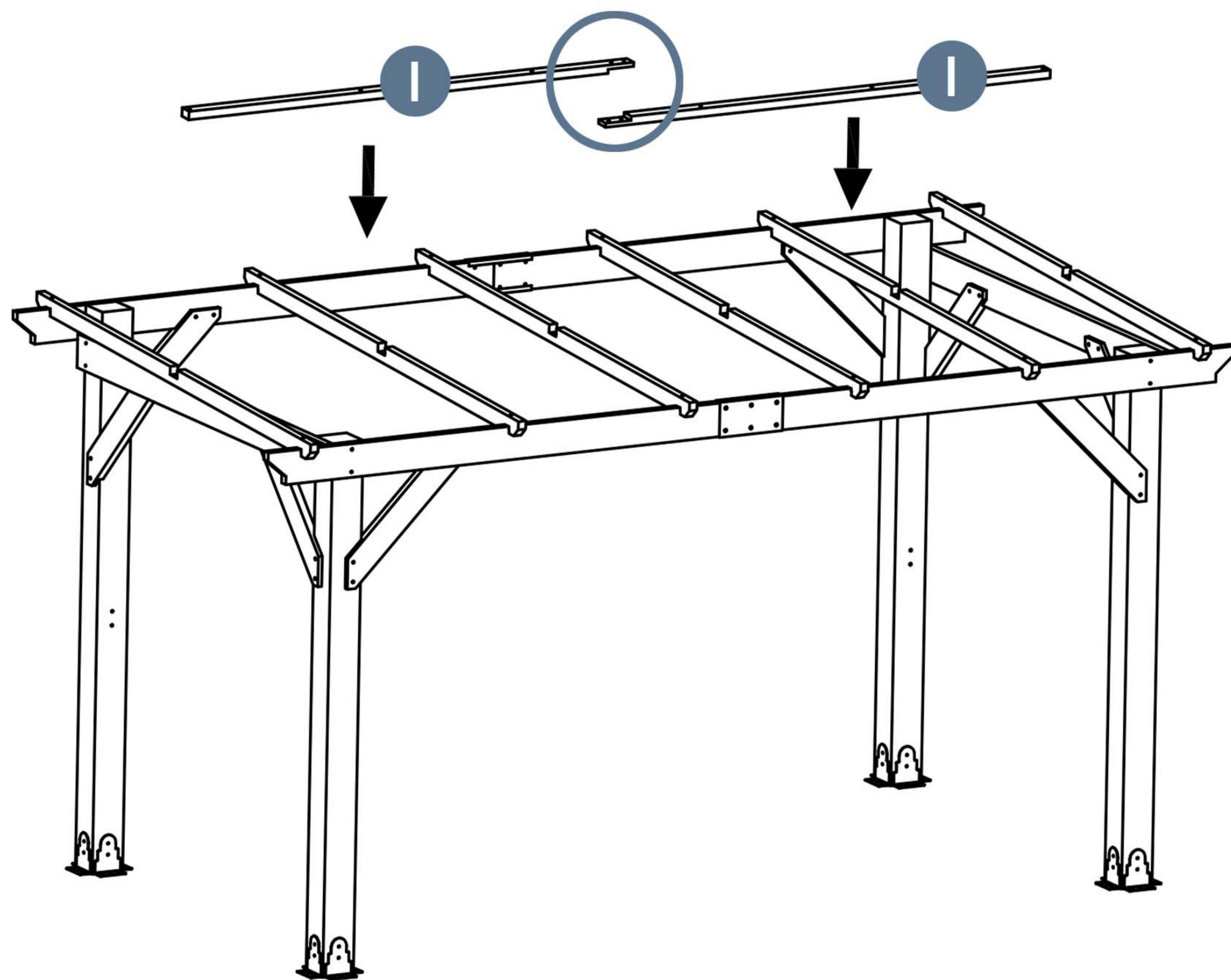


X1 6pcs

6pcs



! Pay attention to the difference of screws



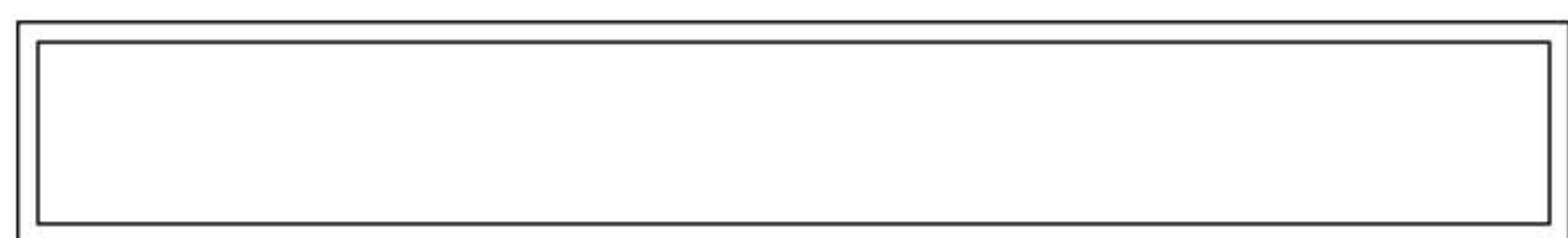
Please keep the screws carefully during the assembly process and contact us by email if they are missing.



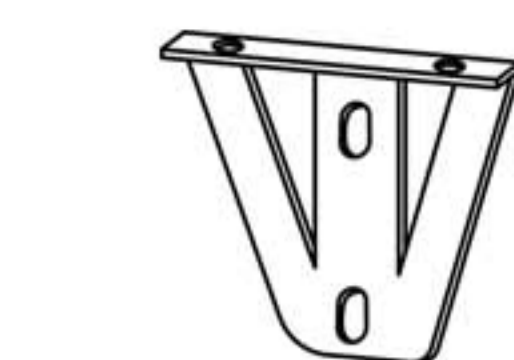
E-mail: [cs.helper01@gmail.com](mailto:cs.helper01@gmail.com)

# STEP 7

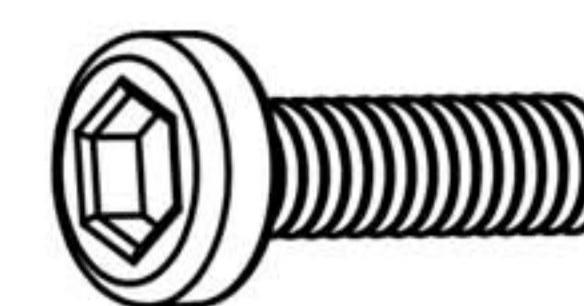
Parts required



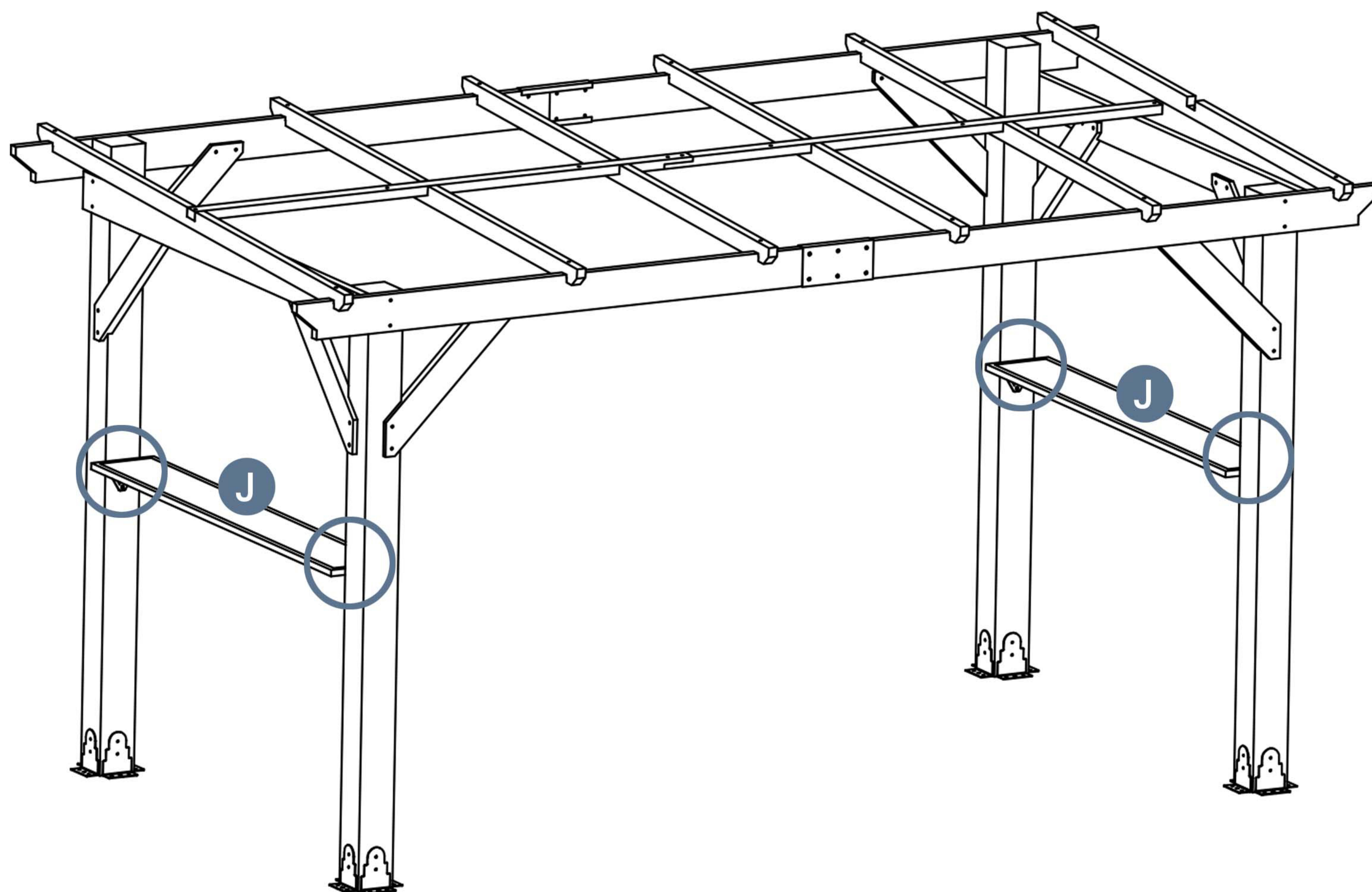
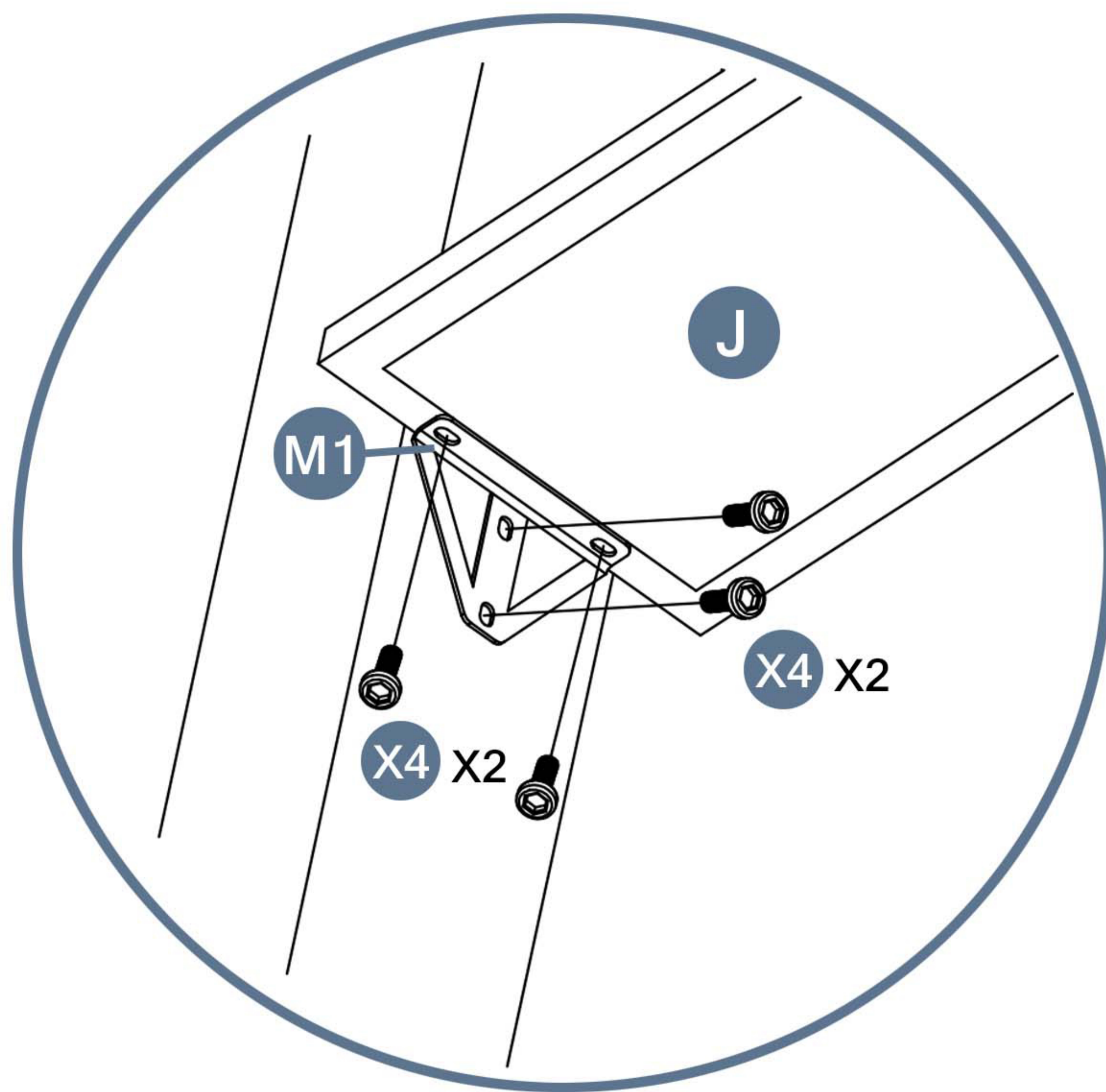
**J** 2pcs



**M1** 4pcs



**X4** 16pcs

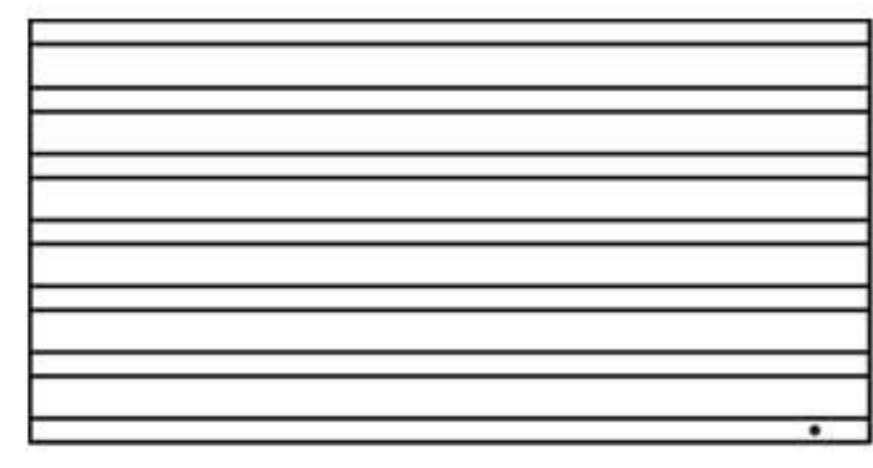


Please keep the screws carefully during the assembly process and contact us by email if they are missing.

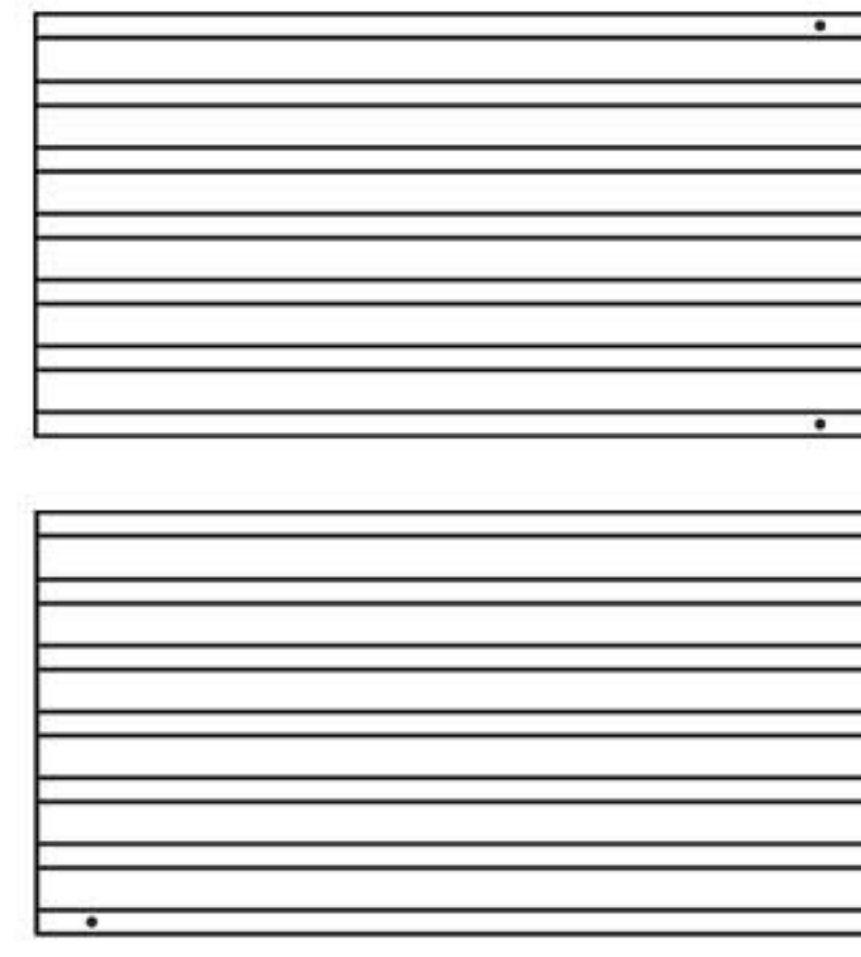
➔ ✉ E-mail: [cs.helper01@gmail.com](mailto:cs.helper01@gmail.com)

# STEP 8

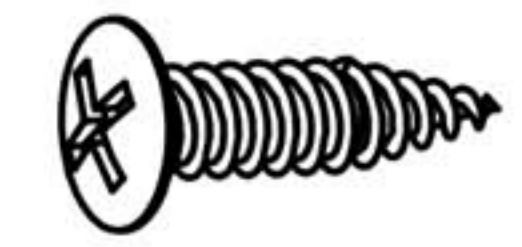
Parts required



N2 2pcs



N 10pcs



X5 6pcs

N1 2pcs

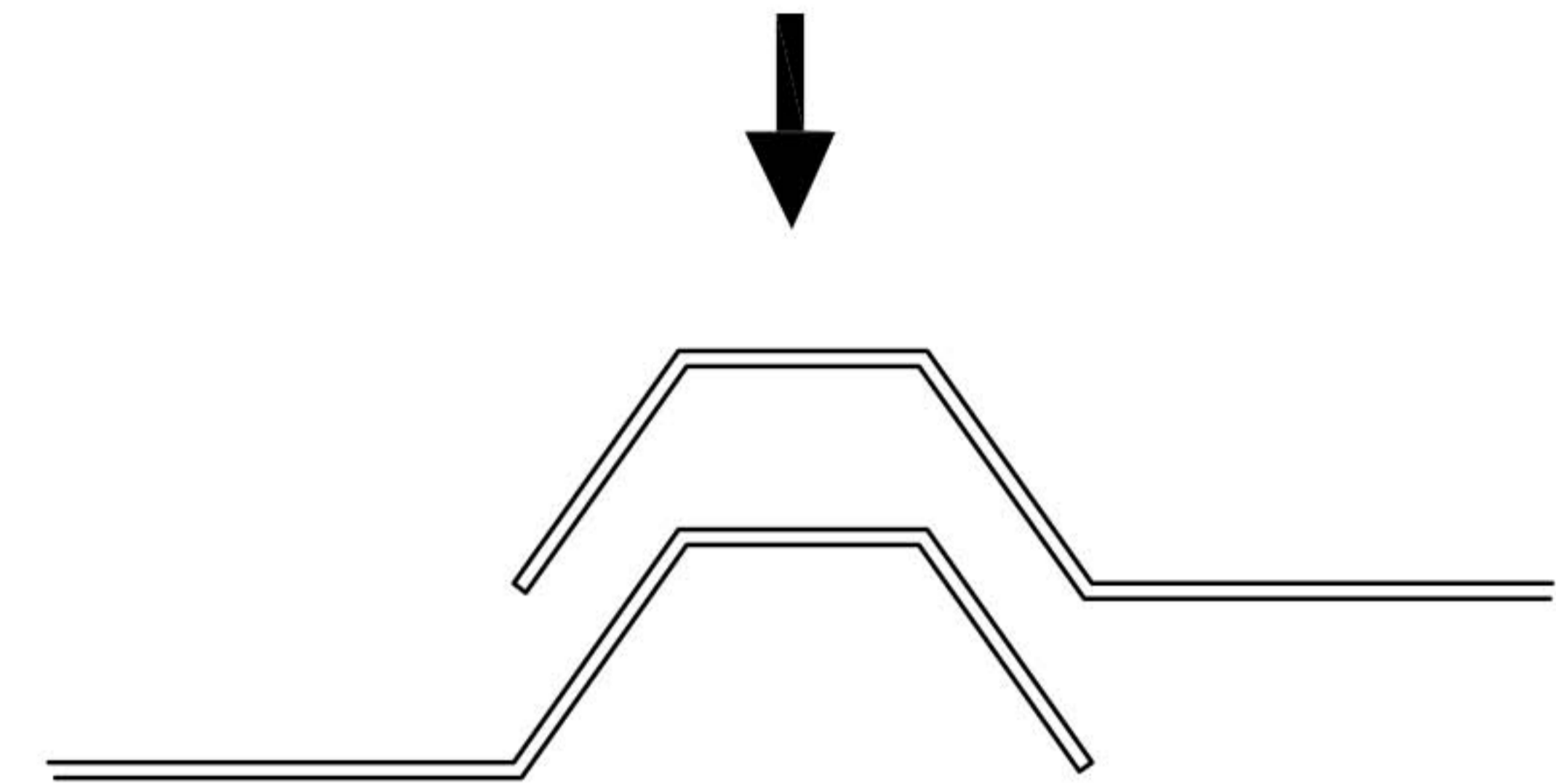


X6 6pcs

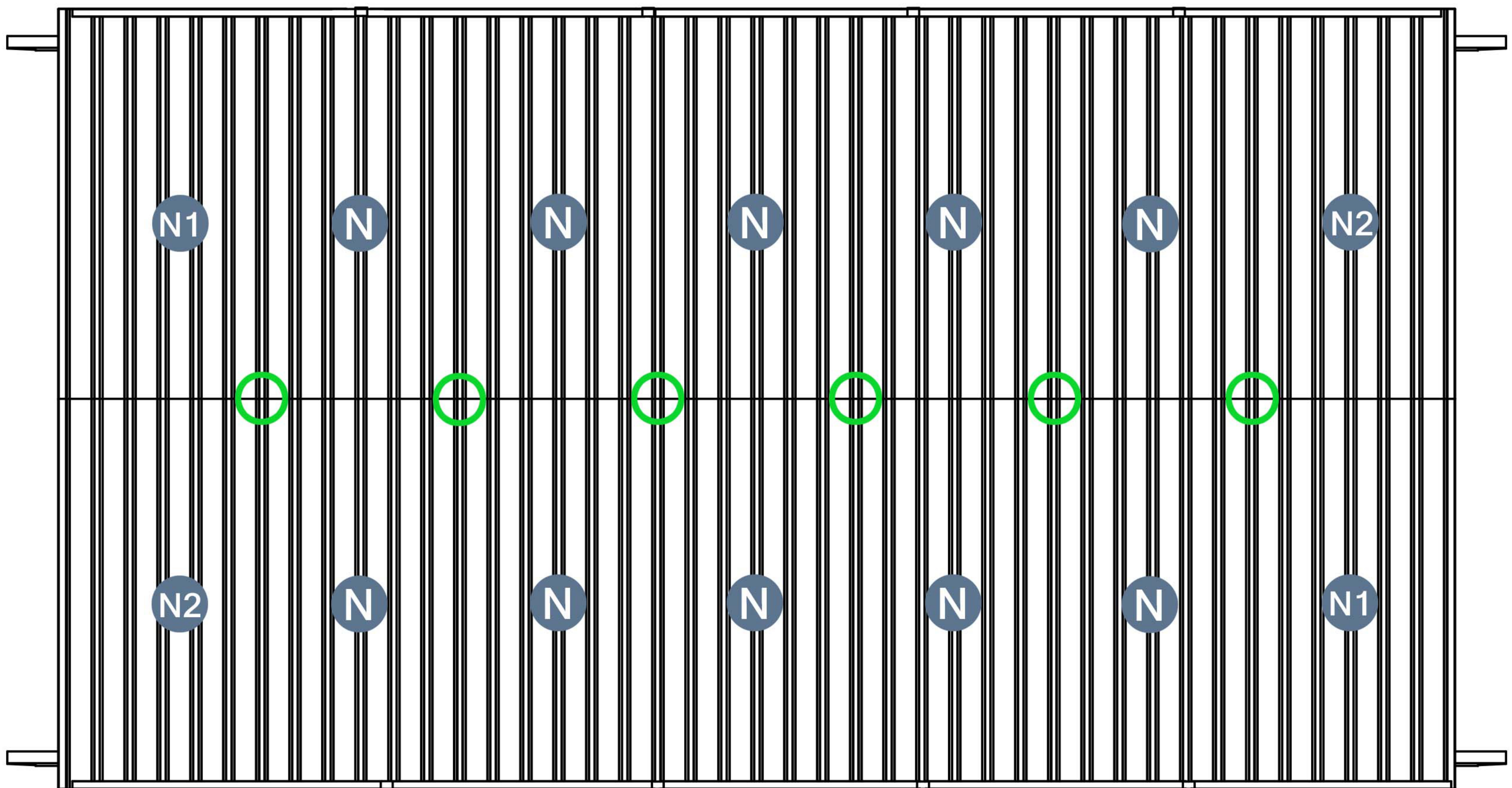
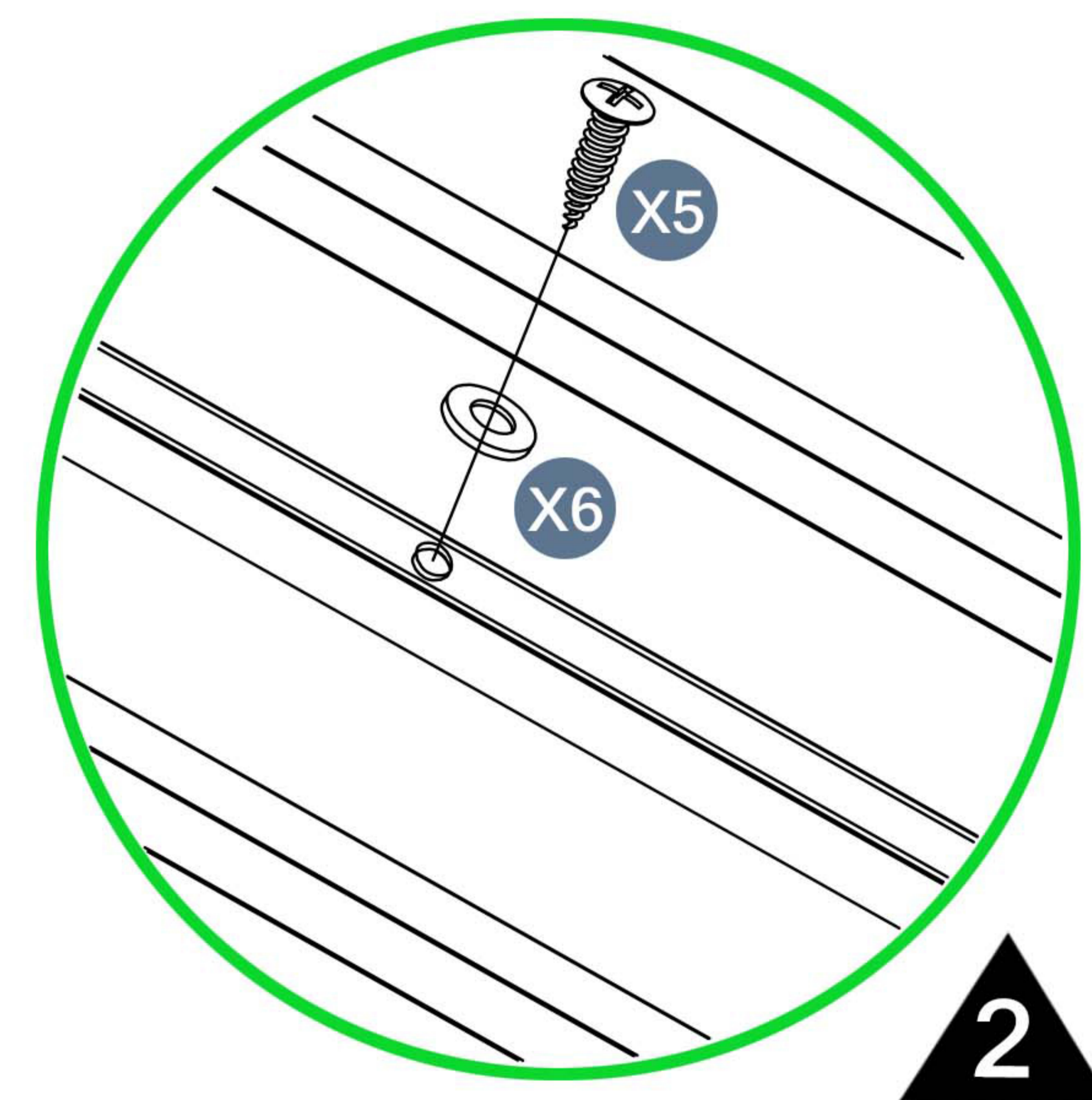
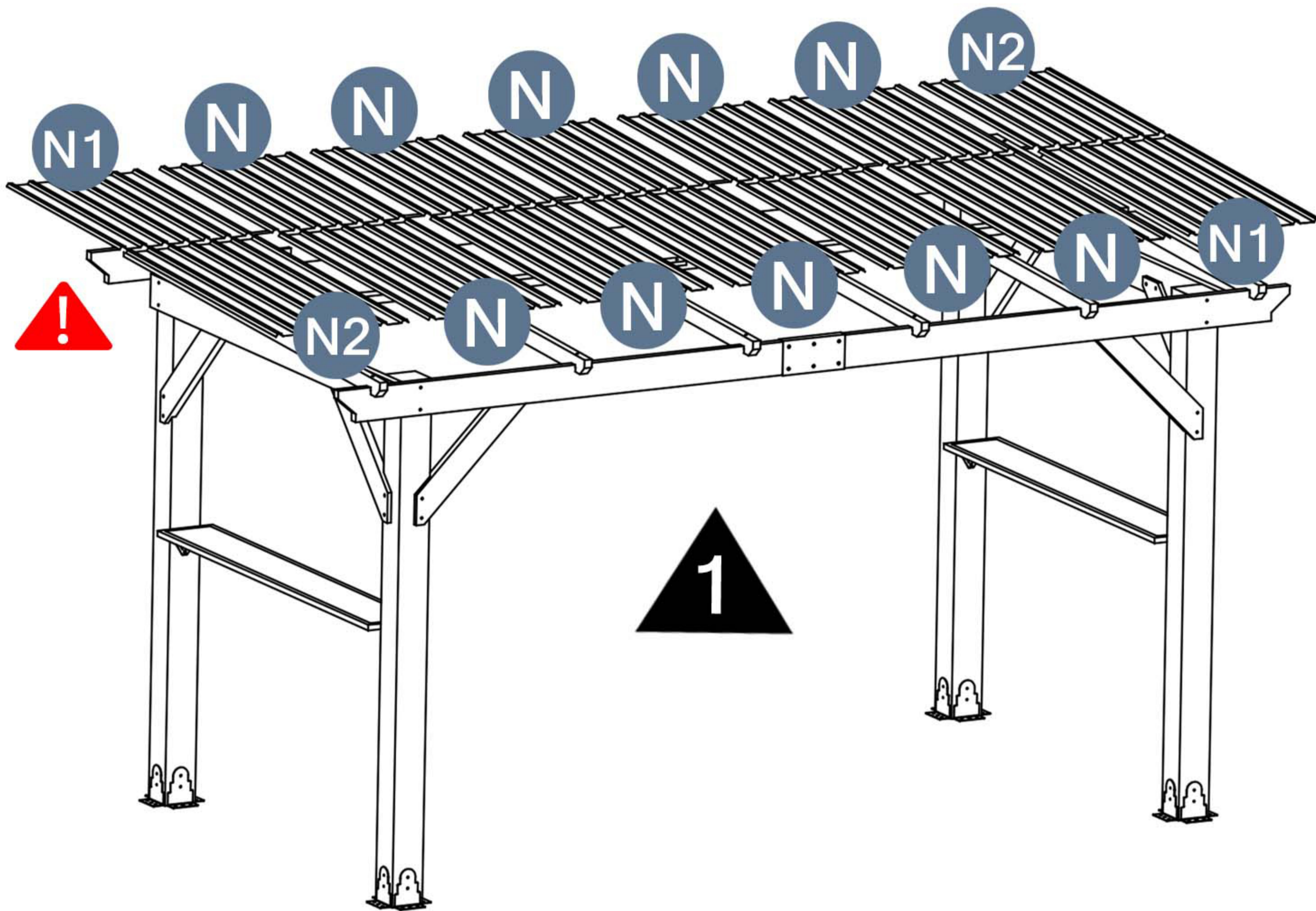
1 → 2



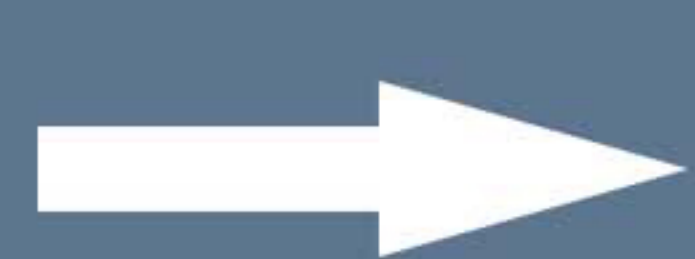
Pay attention to arrange the iron plates neatly before screwing them.



• Side view



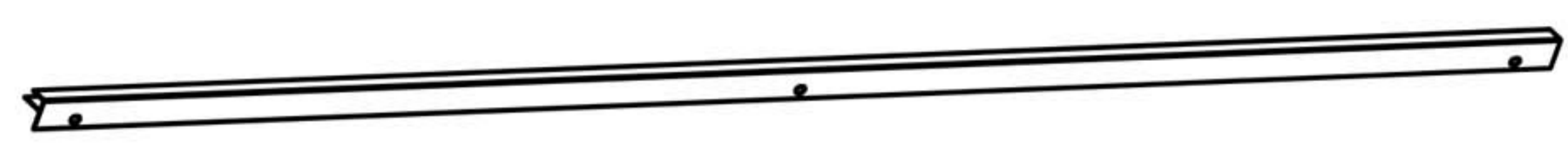
Please keep the screws carefully during the assembly process and contact us by email if they are missing.



E-mail: [cs.helper01@gmail.com](mailto:cs.helper01@gmail.com)

# STEP 9

Parts required



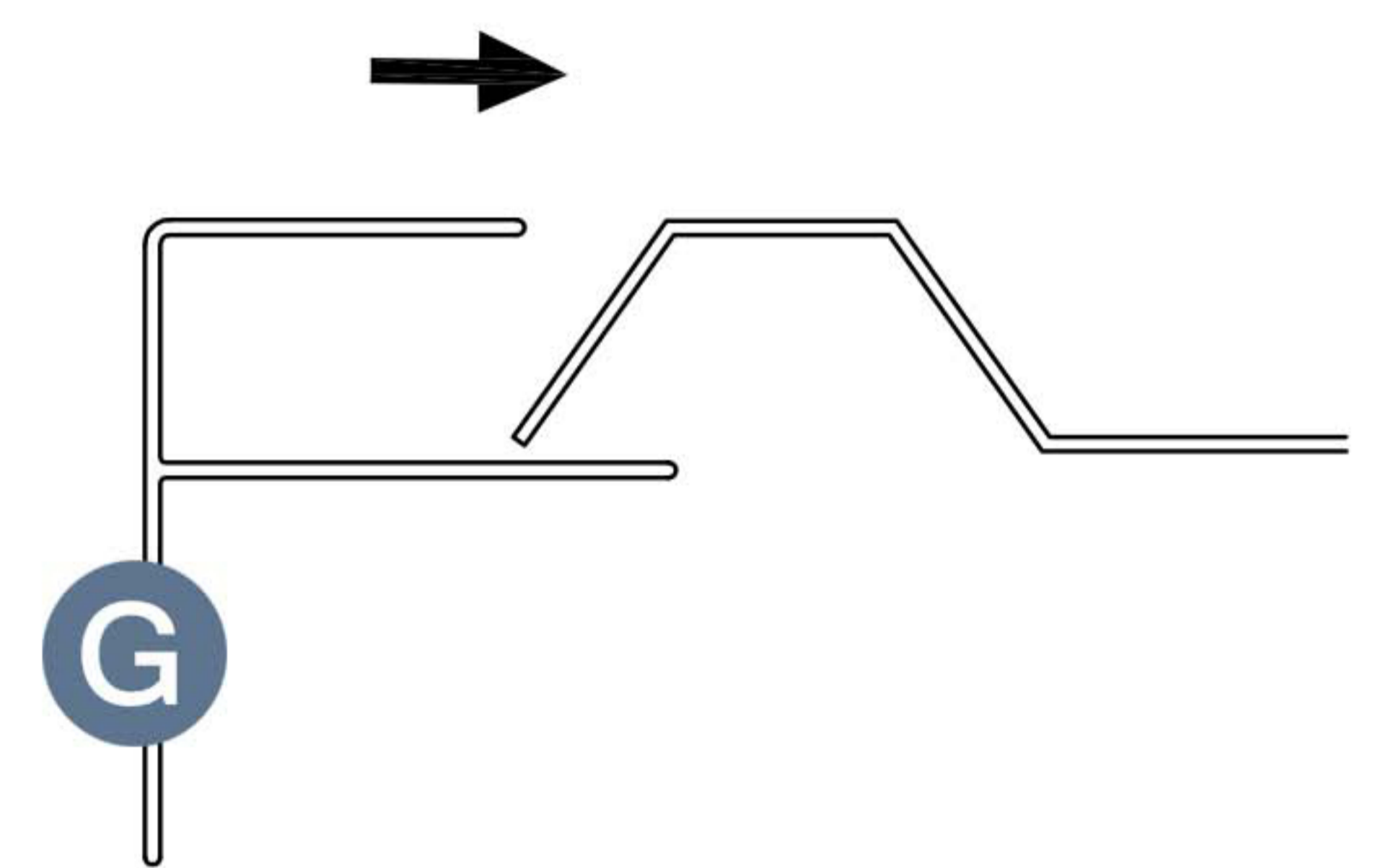
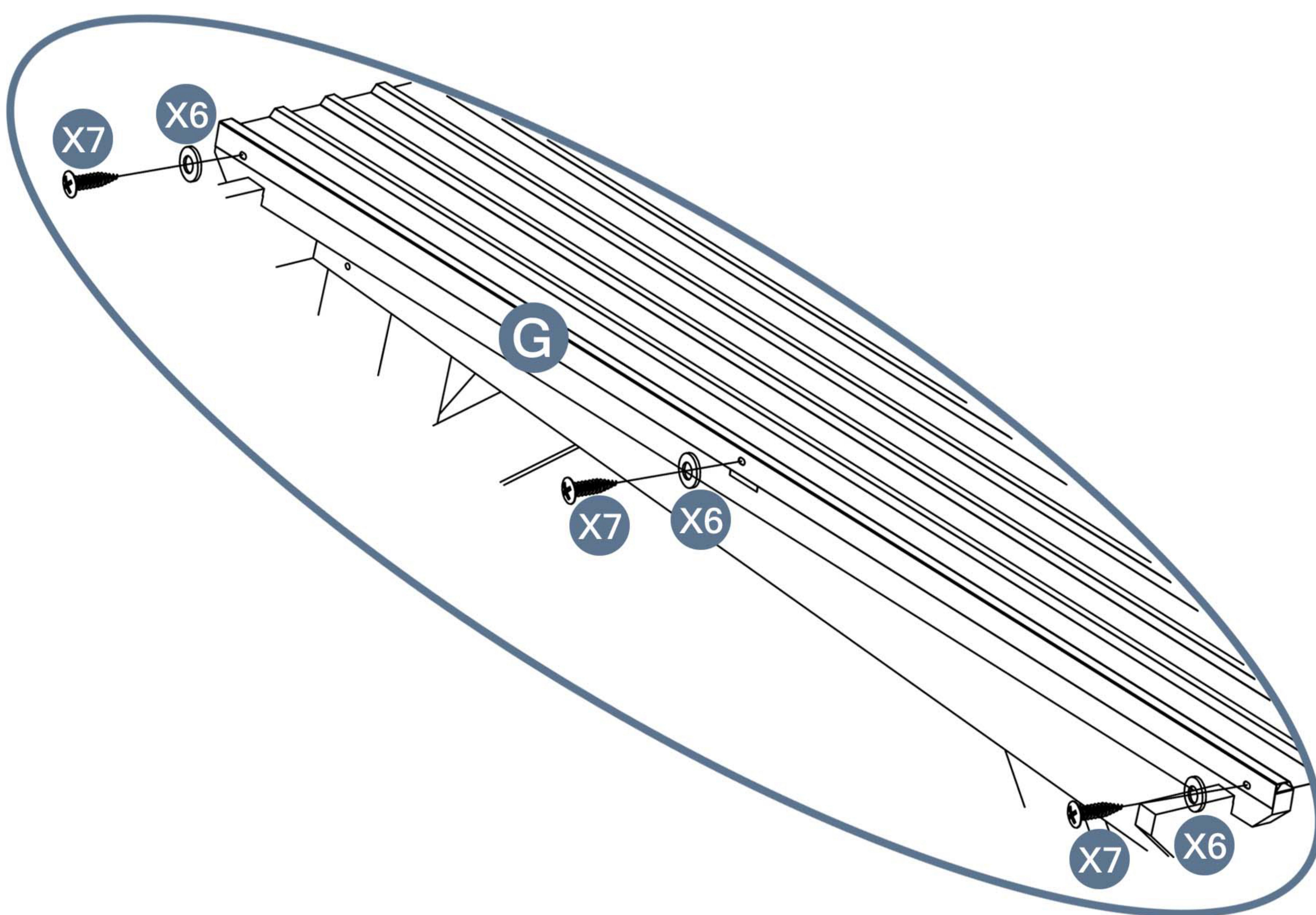
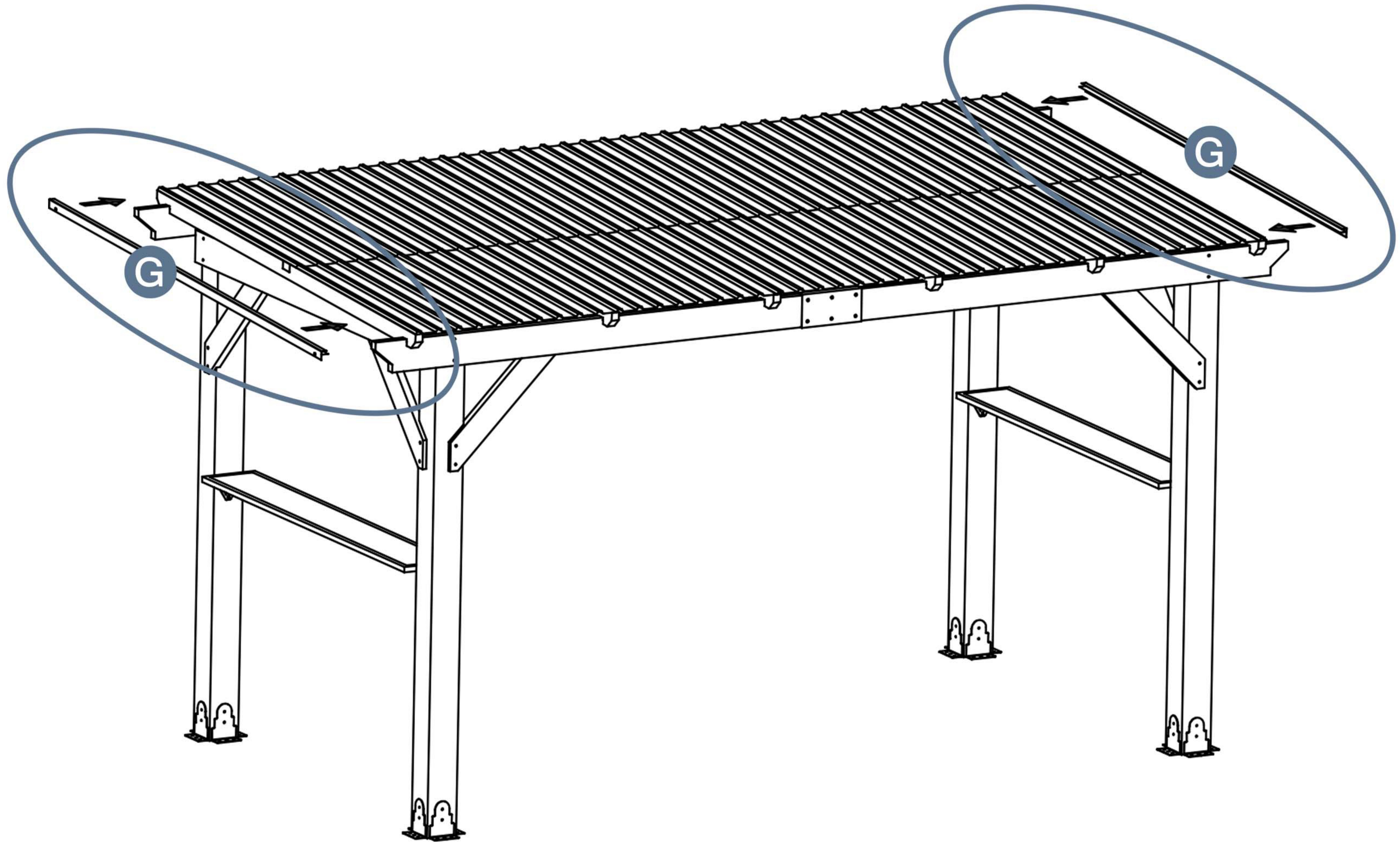
G 2pcs



X6 6pcs

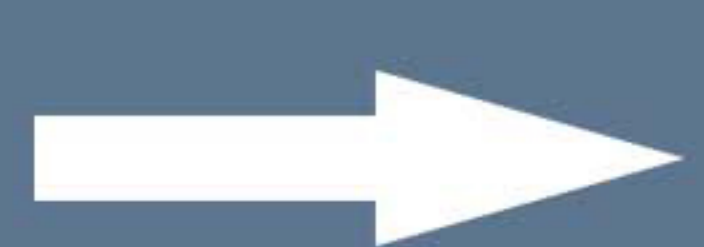


X7 6pcs



• Side view

Please keep the screws carefully during the assembly process and contact us by email if they are missing.



E-mail: [cs.helper01@gmail.com](mailto:cs.helper01@gmail.com)

# STEP 10

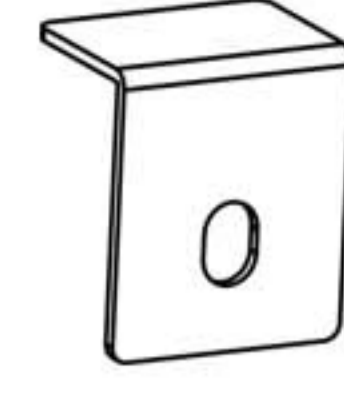
Parts required



G1 10pcs



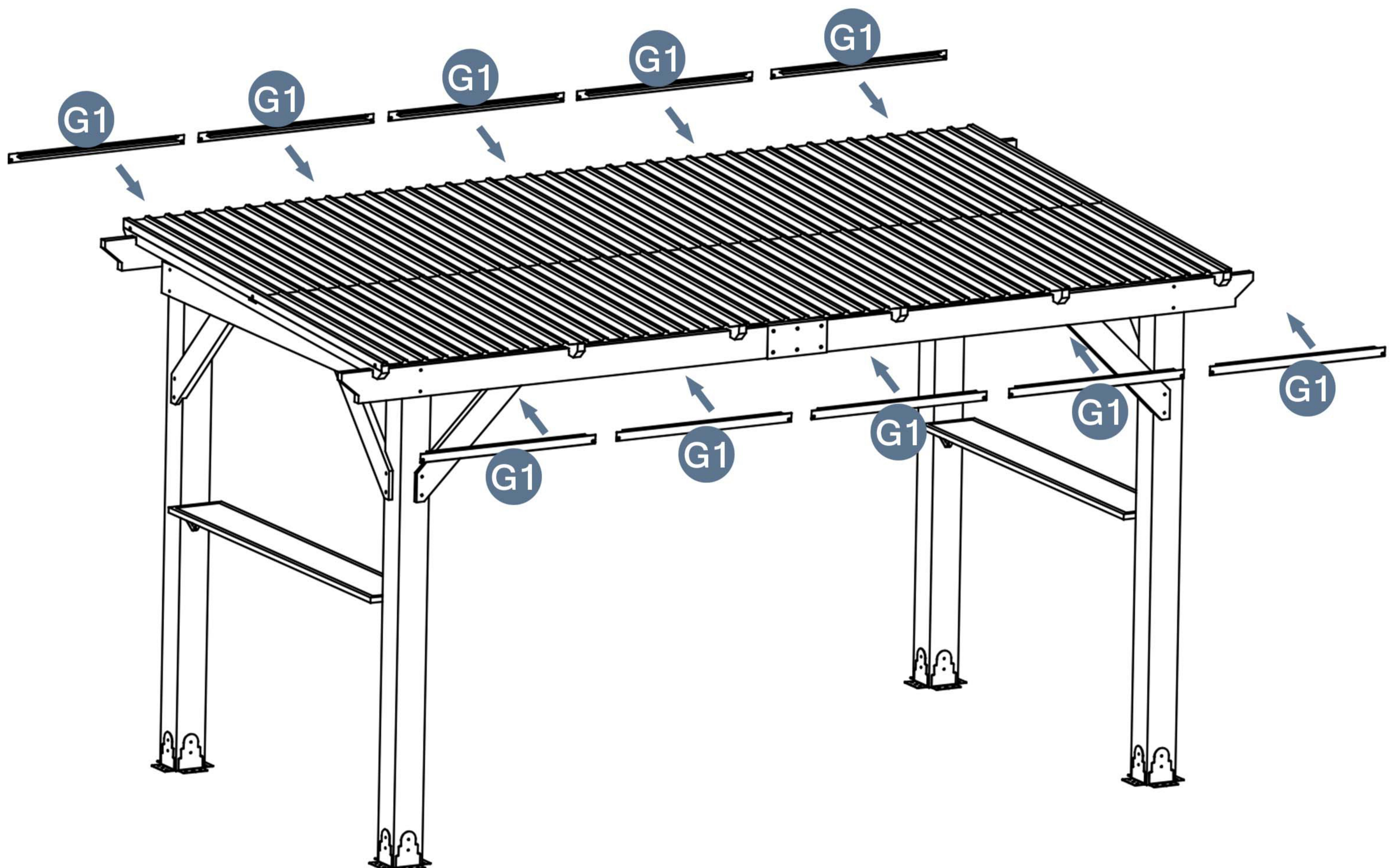
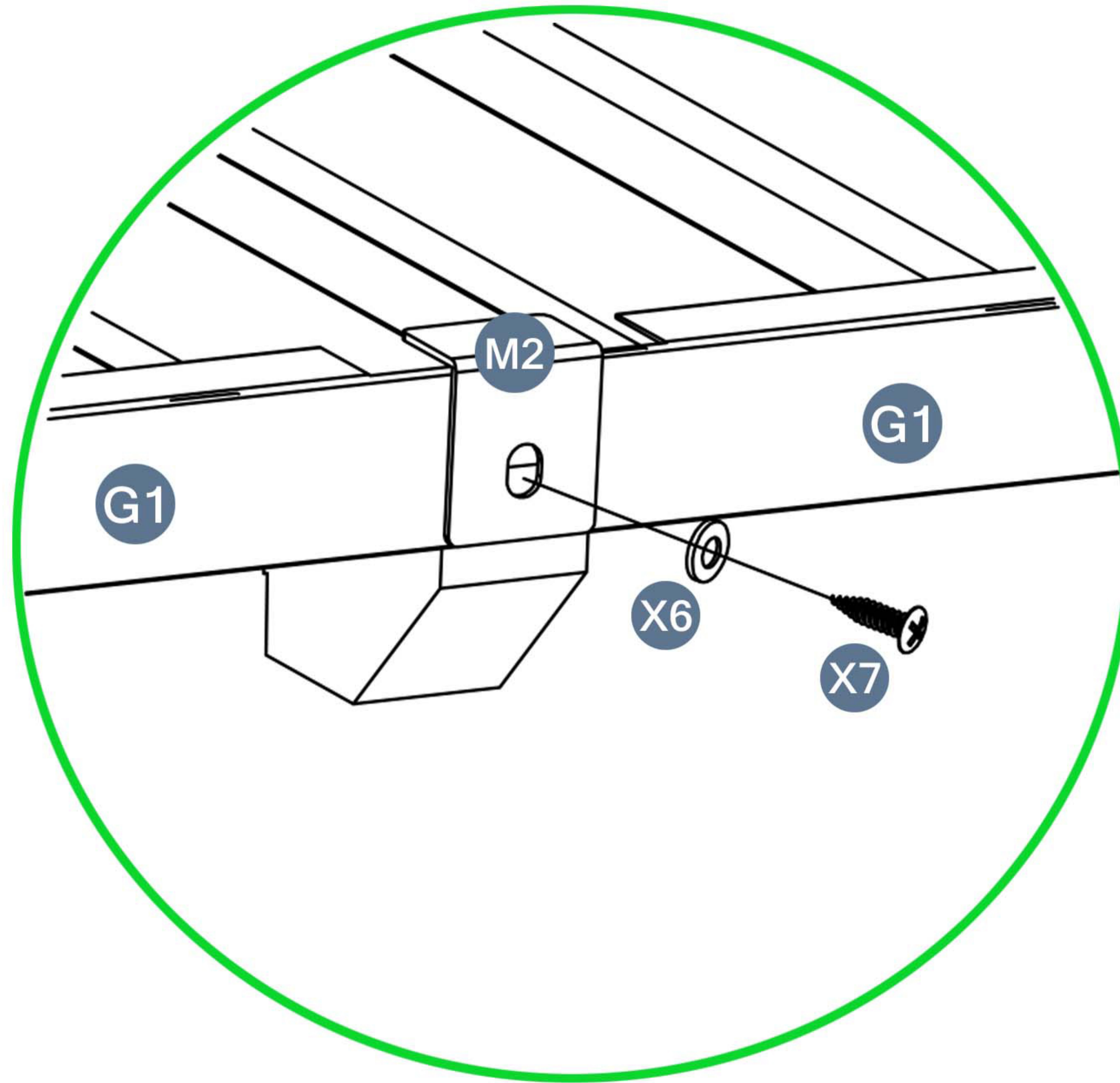
X6 12pcs



M2 12pcs



X7 12pcs



Please keep the screws carefully during the assembly process and contact us by email if they are missing.



E-mail: [cs.helper01@gmail.com](mailto:cs.helper01@gmail.com)

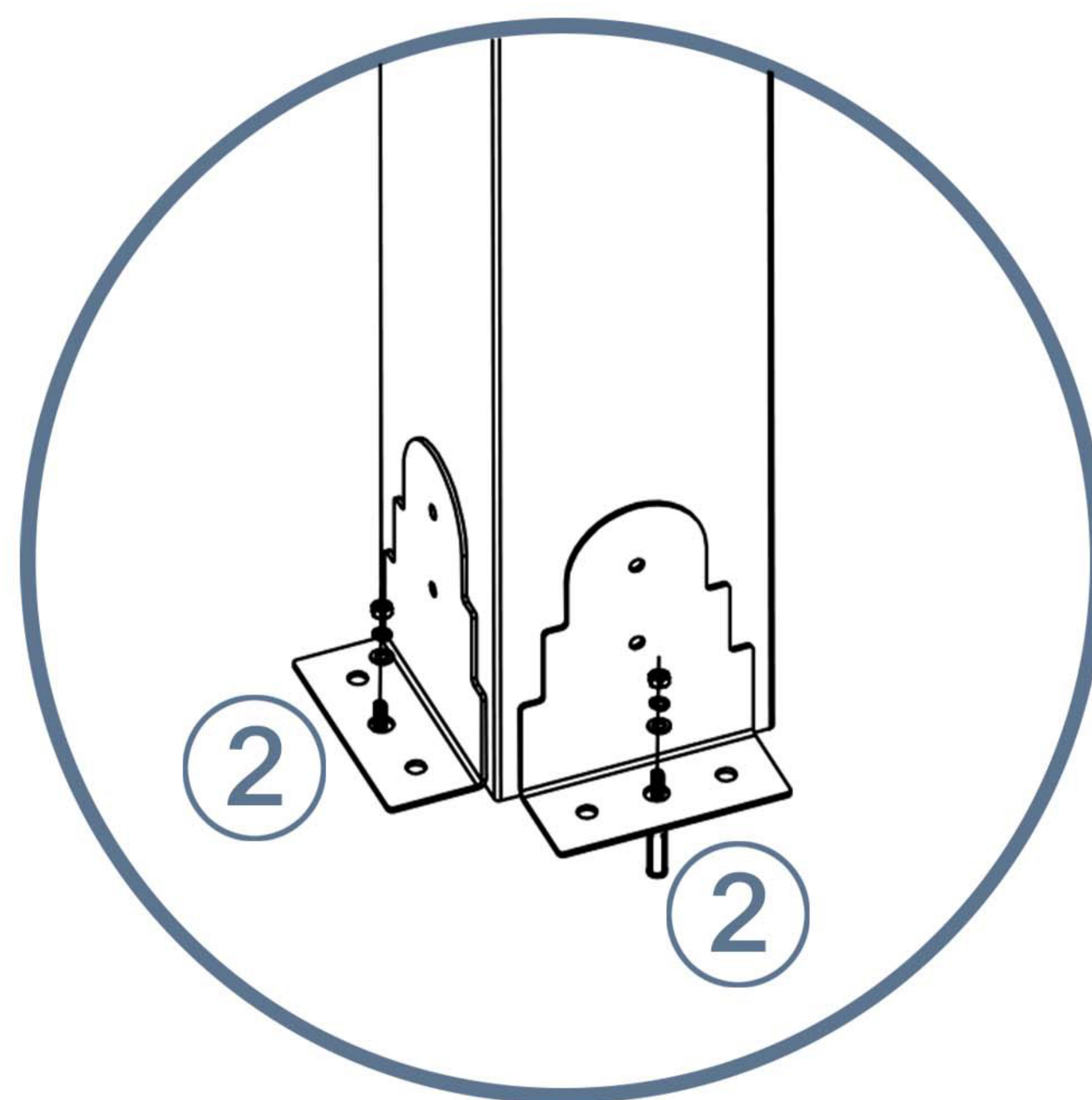
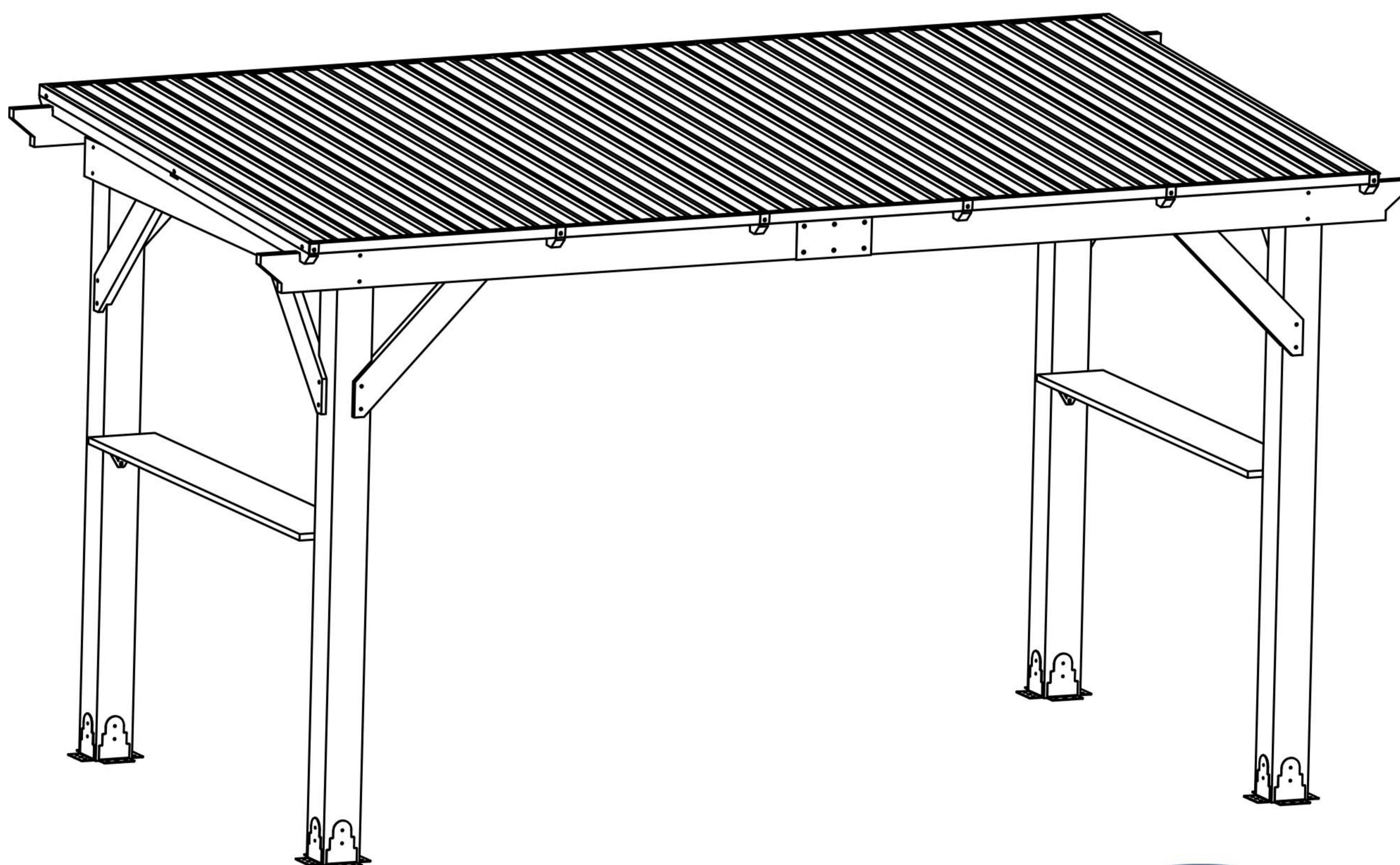
# STEP 11

Parts required



② 8pcs

To improve stability of gazebo, expansion screws very necessary. Expansion screws use for cement surfaces and have included in the package.



!!! For safety's stake, please check and make sure that all screws are tightened after all installation is complete.

## Installation Completed

Please keep the screws carefully during the assembly process and contact us by email if they are missing.

➔ ✉ E-mail: [cs.helper01@gmail.com](mailto:cs.helper01@gmail.com)

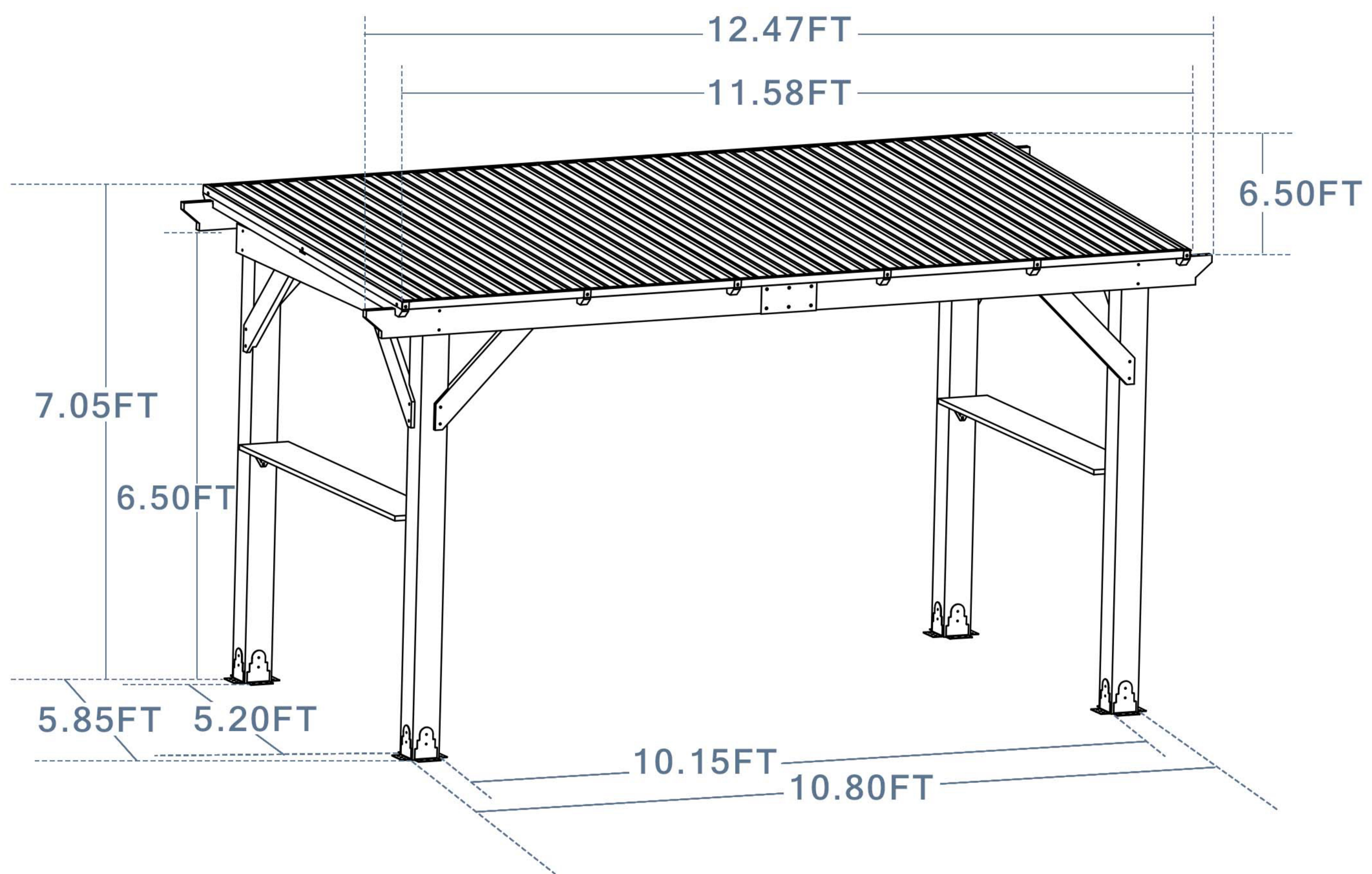
**Hope you enjoy this product.**

If you have any concerns about gazebo Installation, please feel free to contact us. We will reply within 24 hours.



E-mail: [cs.helper01@gmail.com](mailto:cs.helper01@gmail.com)

# 12.5X6.5FT



SKU:CSK24G051-1  
CSK24G051-2  
CSK24G051-3  
CSK24G051-4