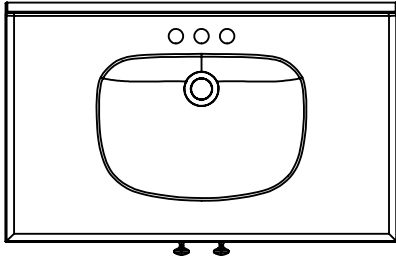
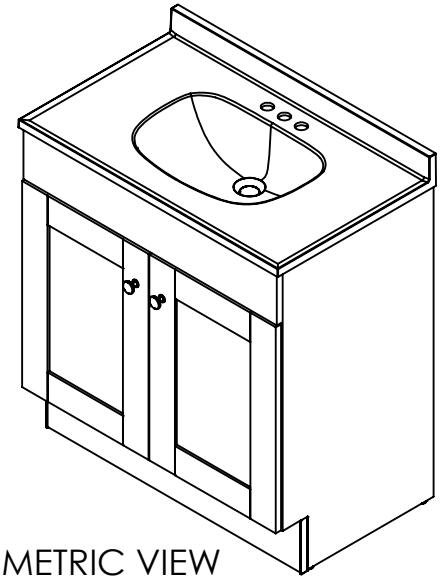


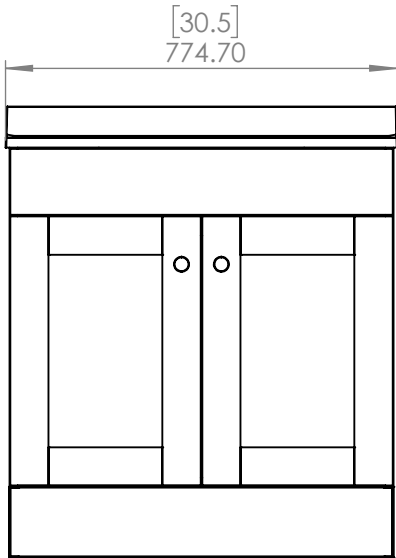
ONLY FOR REFERENCE



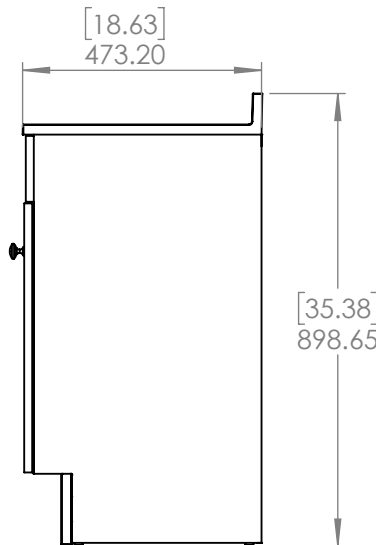
TOP VIEW



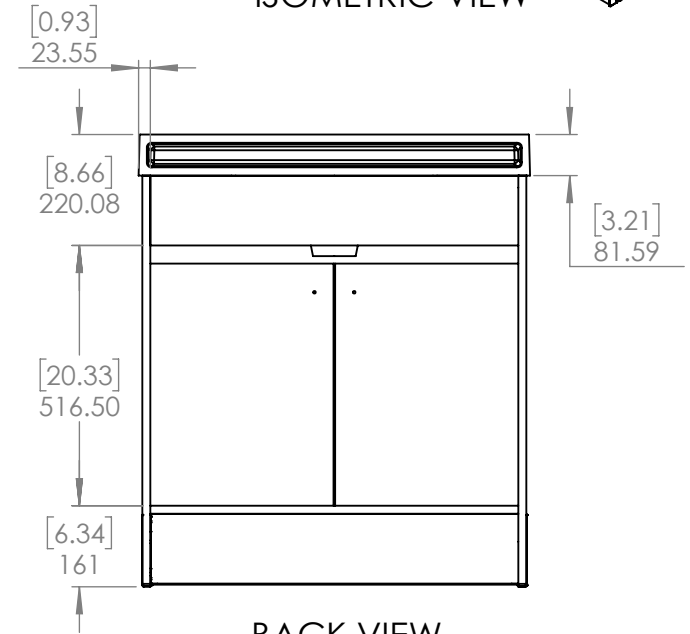
ISOMETRIC VIEW



FRONT VIEW



SIDE VIEW

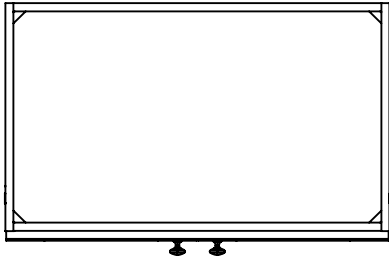


BACK VIEW

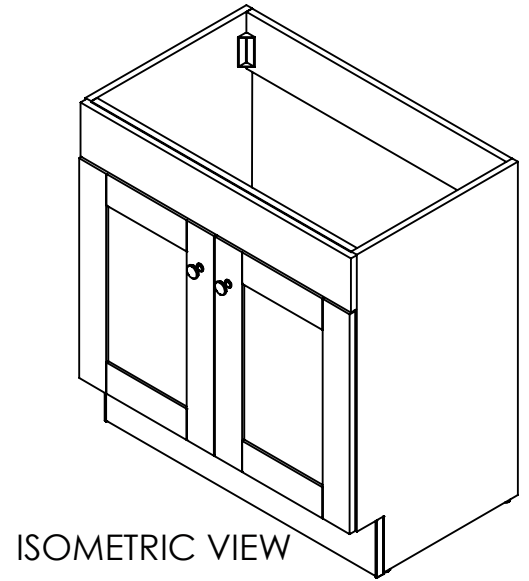
ITEM:	W022730P2	REV	B
NAME:	W0227 30in		
MATERIAL:	----		

DWR	MMS	07/02/24
REV	ING	
APR	R&D	

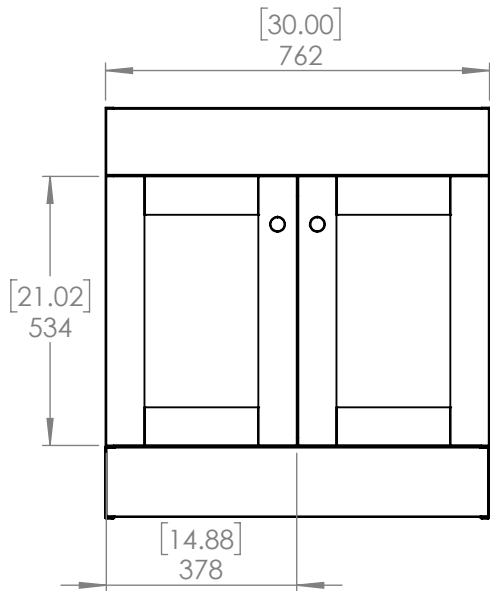
ONLY FOR REFERENCE



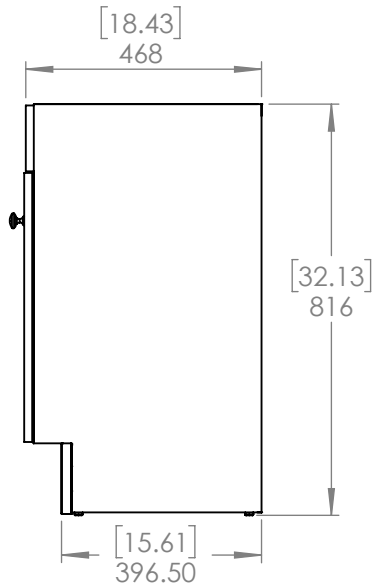
TOP VIEW



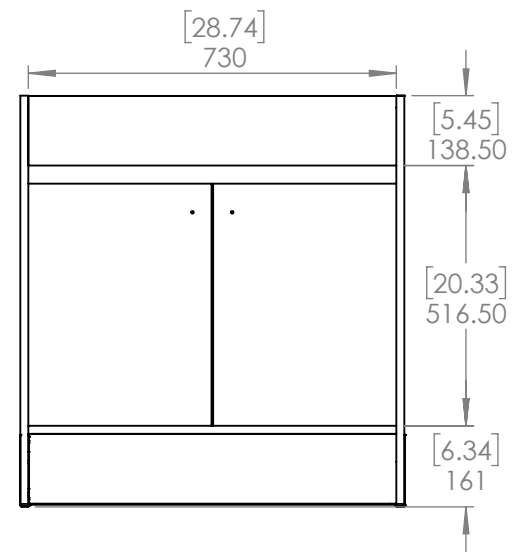
ISOMETRIC VIEW



FRONT VIEW



SIDE VIEW



BACK VIEW

ITEM:			W022730P2	REV	B
NAME:			W0227 30in		
MATERIAL:			----		
DWR	MMS	07/02/24			
REV	ING				
APR	R&D				