

4-Light Rippled Glass Semi-Flush Mount

Caution: Please turn off power before installation and read the manual carefully, we advise you contact professional electricians to install for safety purpose.

Product Features

Style: Modern/Contemporary

Material: Metal, Glass

Color: Gold & Black

Base Type: E12 base

Light Source Included: NO

Voltage: 110VAC

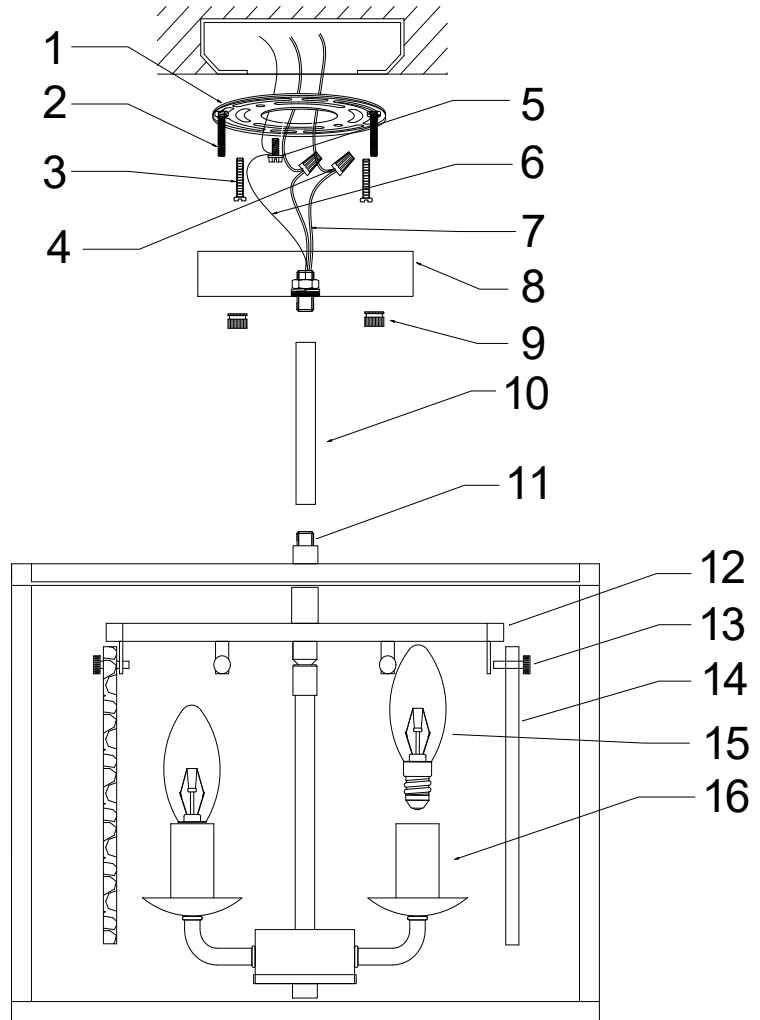
Wattage: 40W

Package includes

1 x Ceiling Light

1 x Accessories Kit

1 x User's Manual



Installation Instructions

A. Pass Fixture Wire (7) and Ground Wire (6) through the Down-rod (10) and Canopy (8), then screw the Down-rod (10) both onto the Canopy (8) and Thread (11) located on the fixture frame.

B. Secure the Glass Sheets (14) on the Inner Frame (12) with Studs (13).

C. Fasten the Mounting Plate (1) on the junction box with Mounting Screws (3).

D. Connect the Wires (7) from the fixture with the wires reserved on the junction box with Wiring Caps (4). Fix the Ground Wires both from the fixture and junction box on the Green Screw (5). (Avoid exposed wires to prevent electrical leakage.)

E. Get the Canopy (8) through the Bolts (2), and tighten it with Cap Nuts (9), then assemble Bulbs (15) (not included) on the Lamp Holders (16).

Note: please use this product accordingly to its intended purpose, do not retrofit or remodeling the product. The warranty does not cover if the failure is caused by the third party product, or natural disasters.