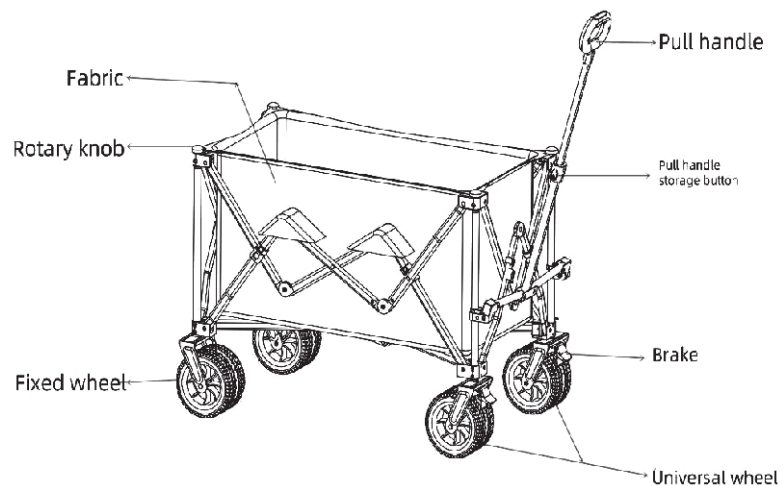
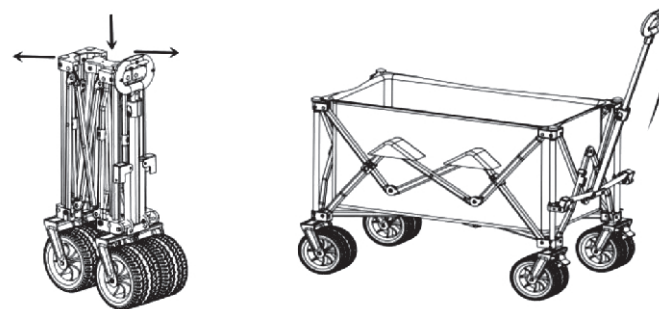


EN
Product Introduction

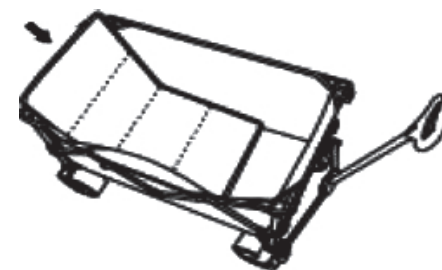


Usage introduction

Expand the body Put the wagon on level ground Open the frame to both sides with your hands Press the raised position in the center of the wagon Fully expand the frame Pull out the handle



Put in pad Lay the folding pad on the bottom of the wagon to complete the installation



Usage introduction

Brake usage: Press the LOCK pedal with your foot to lock the wheel, Simply Press the UNLOCK pedal to unlock. (Note: Do not use the Brakes on a Slope greater than 5°)



Handle adjustment: When not in use, press the storage button on the pull handle to shorten the pull handle; Pull out the handle directly when using. The pull handle can be suspended and stressed at any position within 90°, so it can be used by people of different heights



Product Storage

- Folding storage: After taking out the folding bottom pad, gently lift the center pull ring at the bottom, and the frame will automatically gather.
- Binding wagon: Make the universal wheels face outwards, Tighten the body, Remove the triangle of the fabric cover from the bracket, Use ropes to tie up the cwagon body and put on an outer bag.

