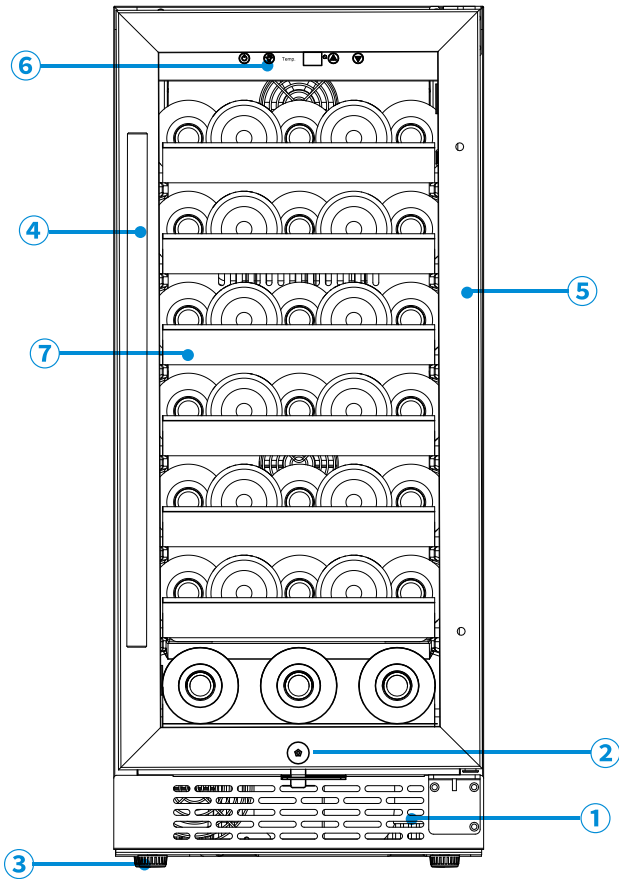


# PARTS & FEATURES



- ① Base Grille
- ② Security lock
- ③ Leveling Legs
- ④ Stainless Steel Handle
- ⑤ Double Tempered Glass Door
- ⑥ Display and Control panel
- ⑦ Full Removable Wire Shelves with Wooden Front

## Technical Data:

**Model No. :** YEG-WS15

**Voltage:** 115V /60Hz

**Rated Current:** 0.9A

**Capacity:** 33 standard 750ml wine bottles

**Temperature Range:** 40°F - 65°F (5°C -18°C)

**Net Weight:** 74 lbs

**Gross Weight:** 89.6 lbs

**Unit Dimension:** 14.8"W x 22.4"D x 34"H

**Packaging Dimension:** 18.9"W x 26.8"D x 36.6"H

**Refrigerant:** R600a