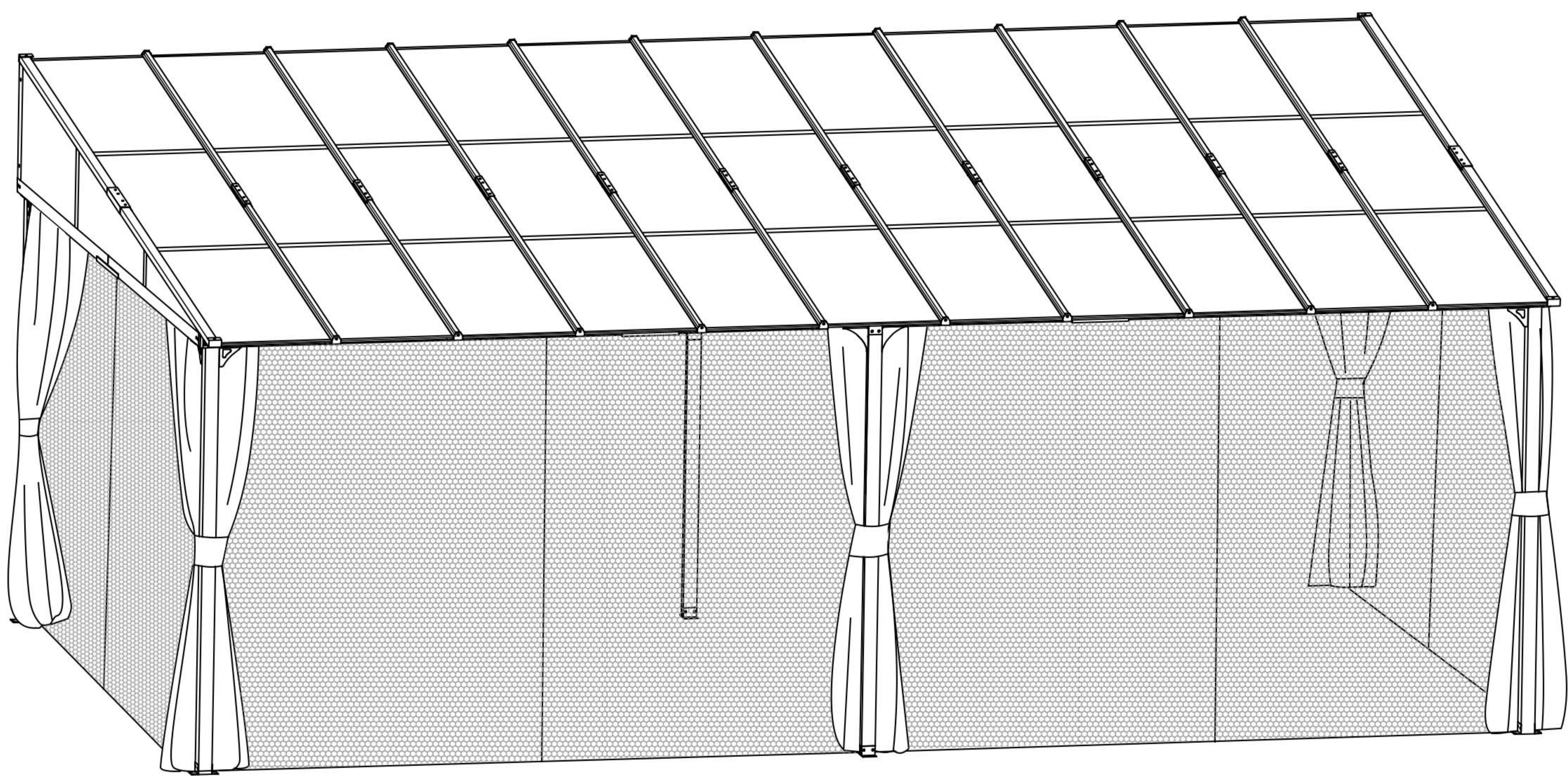


PC Roof
Wall Mounted Gazebo 12X20FT

SKU: BPYWM24G059-1
BPYWM24G059-2
BPYWM24G059-3

ASSEMBLY INSTRUCTIONS



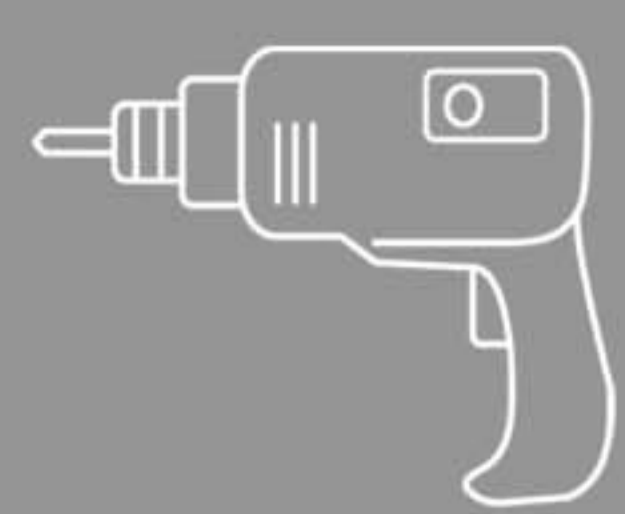
Please check the number of parts in the following accessory catalogue when unpacking. We have sent you more small parts for spare. If there is any missing or any questions about the installation. Please feel free to contact us. We will reply within 24 hours.



E-mail: cs.helper01@gmail.com

TOOLS RECOMMENDED

*NOTE: The recommended tools are not included in boxes and need to be prepared by yourself.



DRILL



RUBBER Mallet



STEPLADDER
(6.5Ft Or More)



SAFETY HAT



GLOVES



SAFETY GOGGLES

ATTENTIONS



Since it is easy to lose many small accessories during the installation, please collect all the screw accessories before the assembly is completed



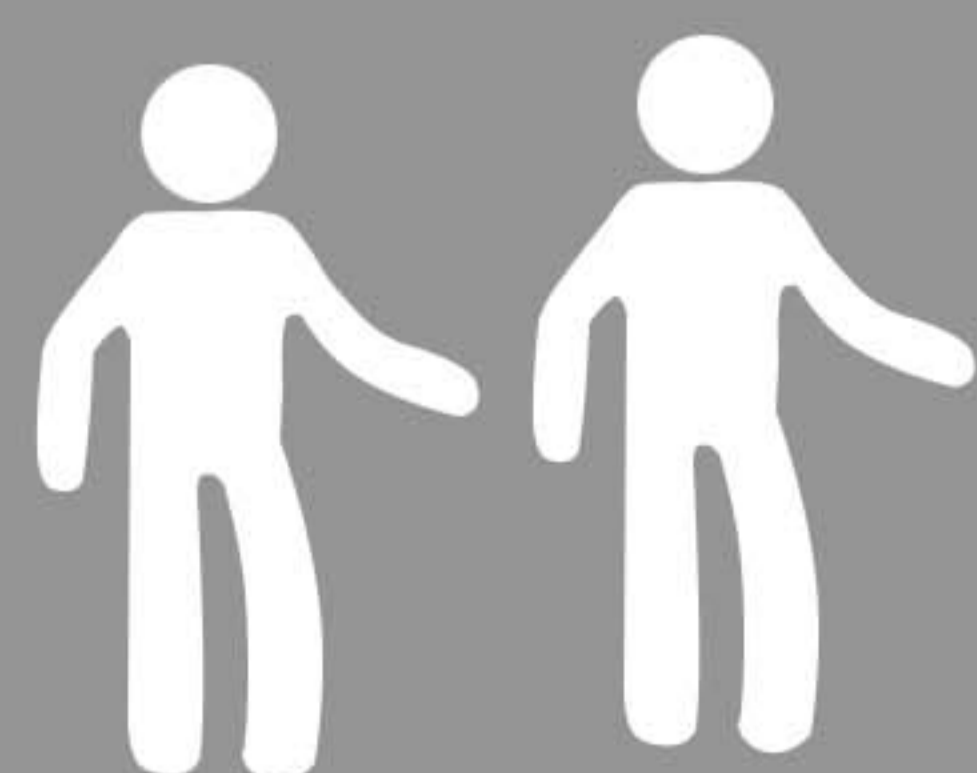
To better align the screws for practical situations, do not fully tighten screws initially



Please reinforced the Gazebo and do not use in heavy winds or inclement weather



Make sure all screws are tightened before use and check all screws, buckles and straps every 90 days

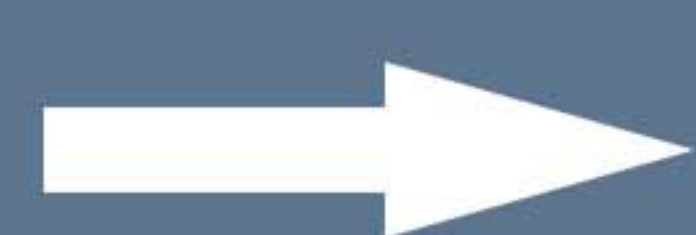


Two or more people are required for assembly



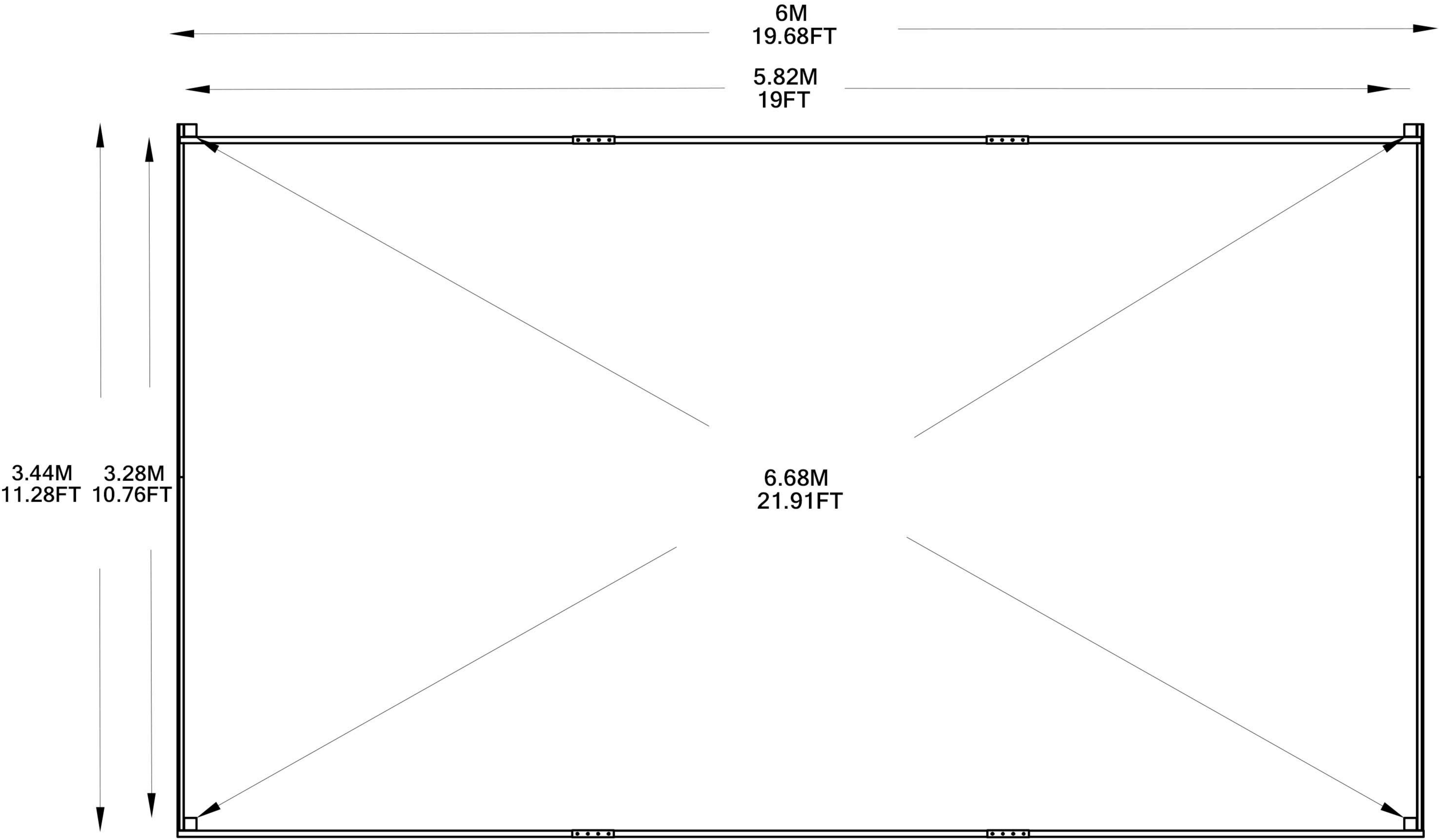
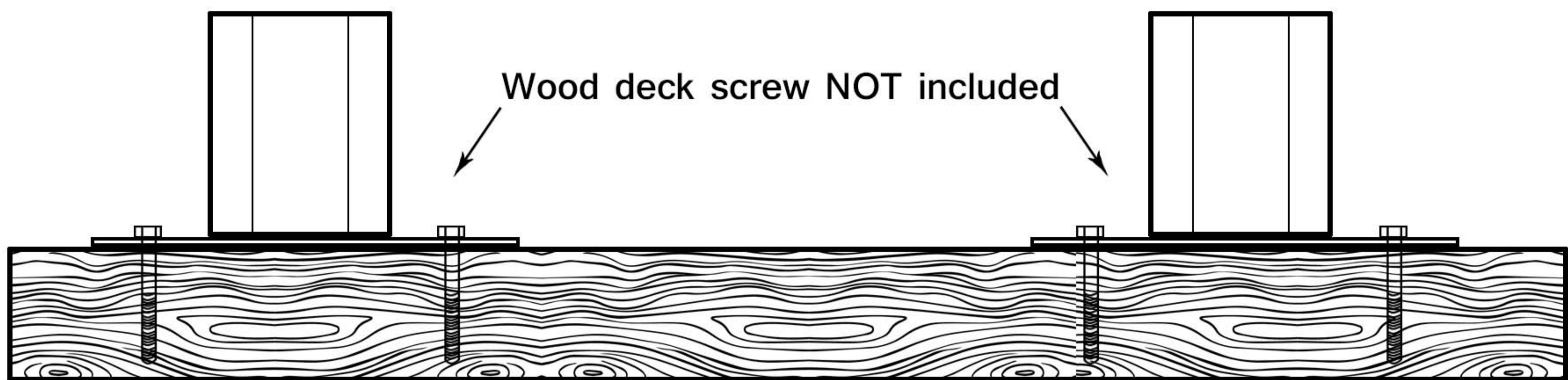
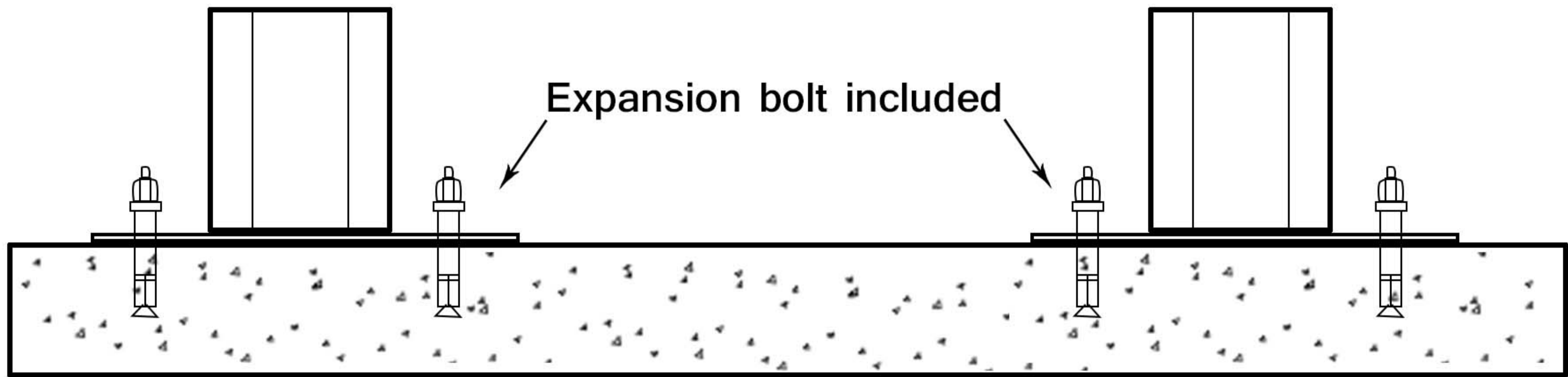
Please clear the snow off the roof in time for the heavy snowfall and do not use it

Please take care of the screws and contact the after-sales service if there is any problem with the installation or parts.



Permanent Installation Examples

Our supporting expansion screws can only be used for cement floors, customers need to bring their own special screws if they are used for wood floors

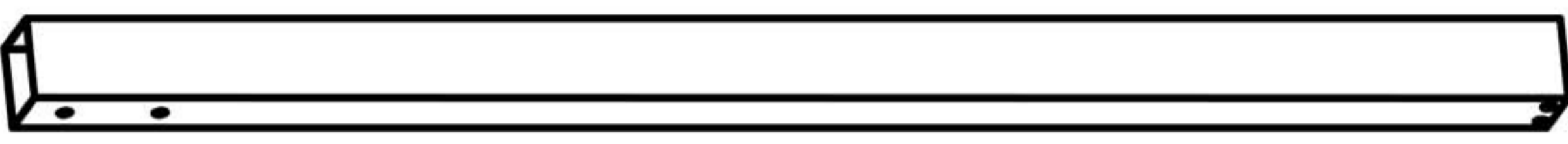
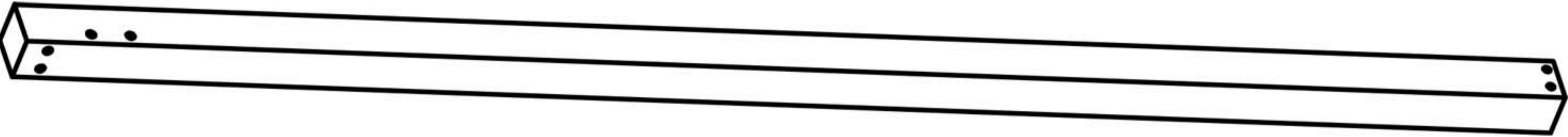
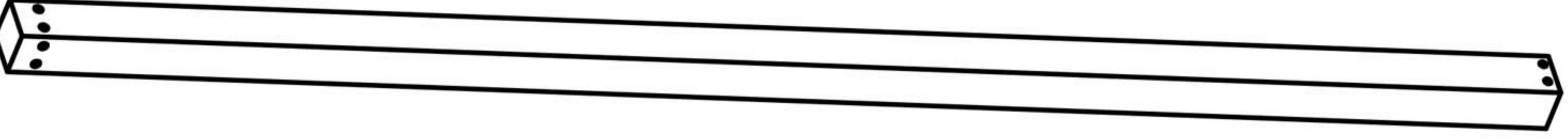
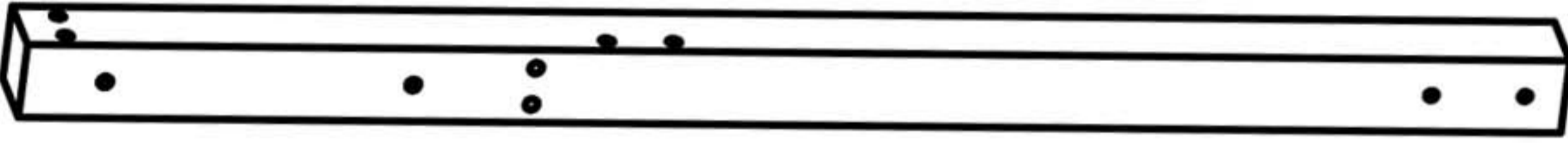
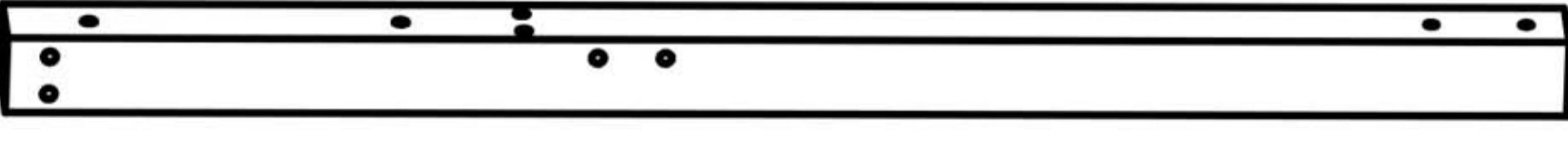


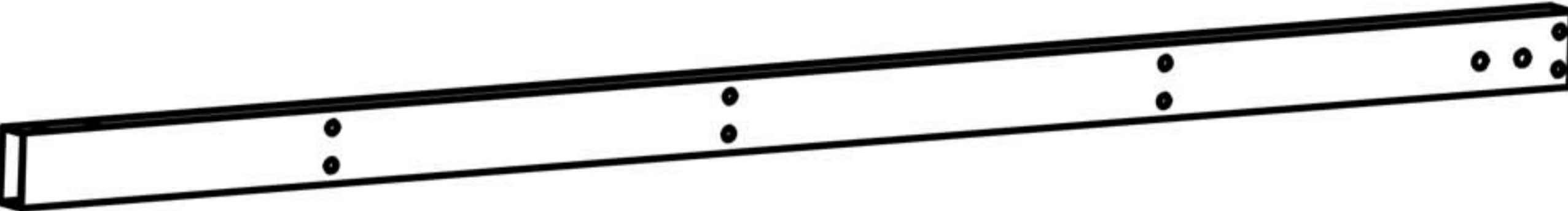
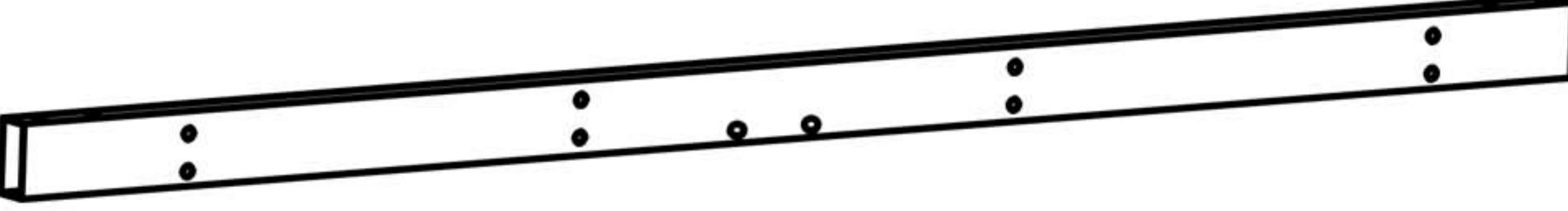


Please take care of the screws and contact the after-sales service if there is any problem with the installation or parts.

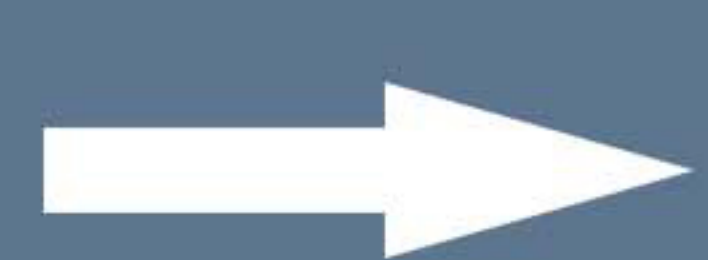
➔ ✉ E-mail: cs.helper01@gmail.com

ACCESSORY CATALOGUE

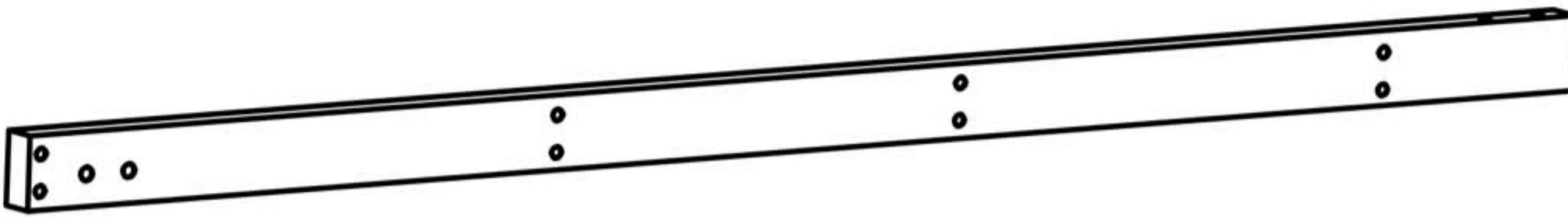

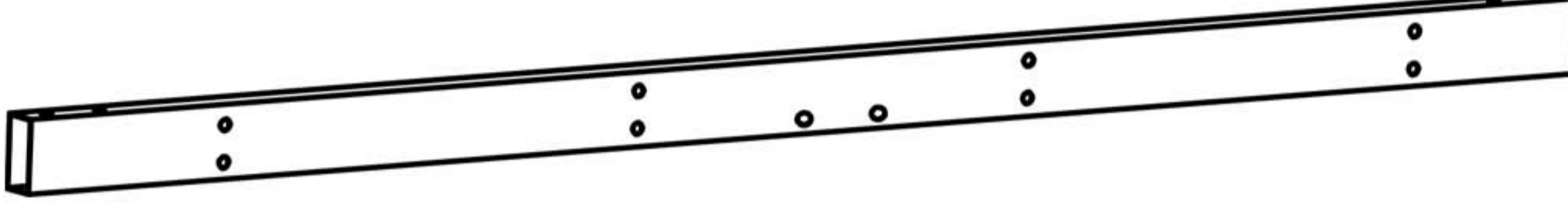
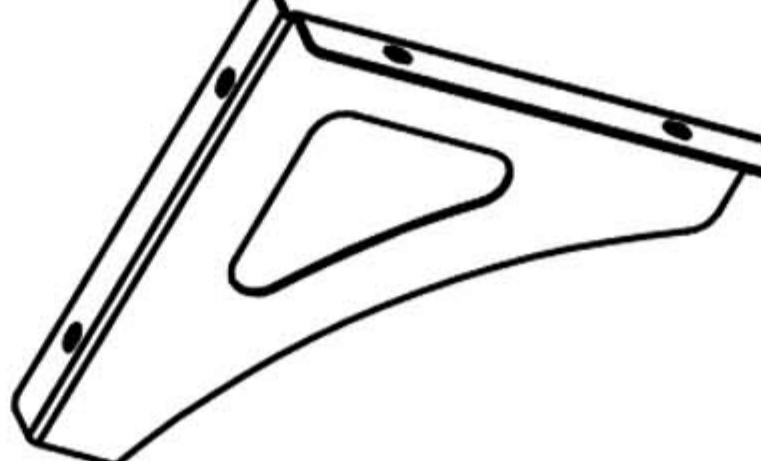
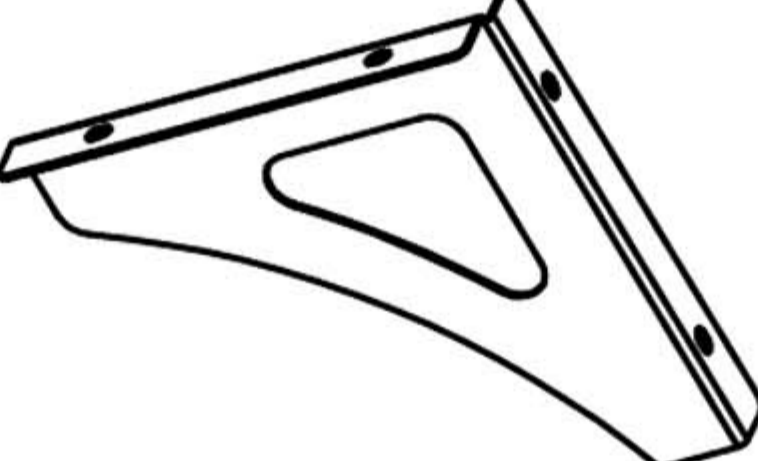
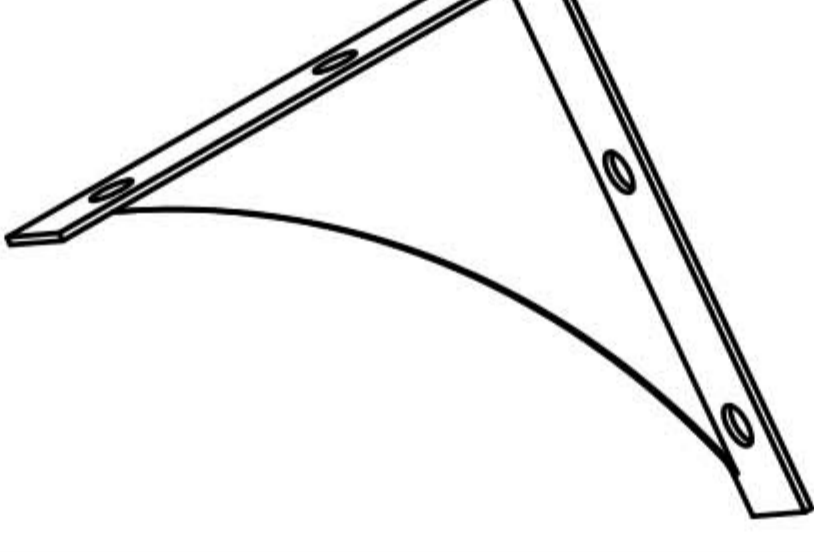
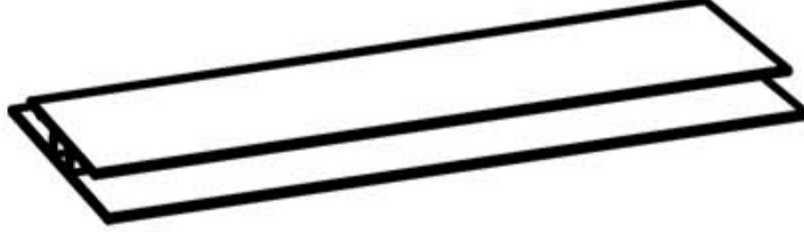
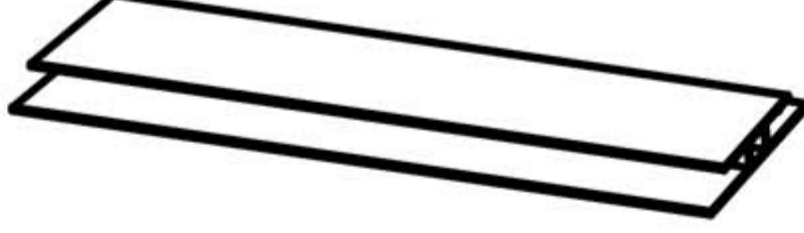
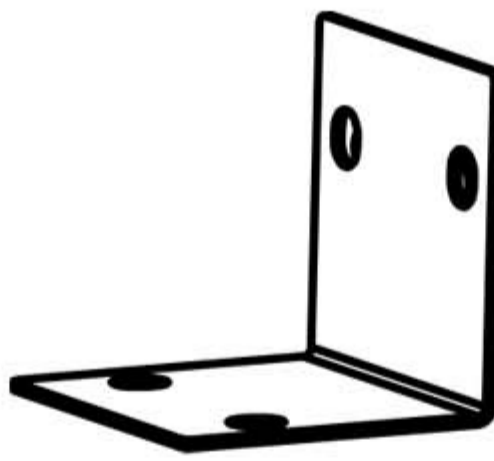
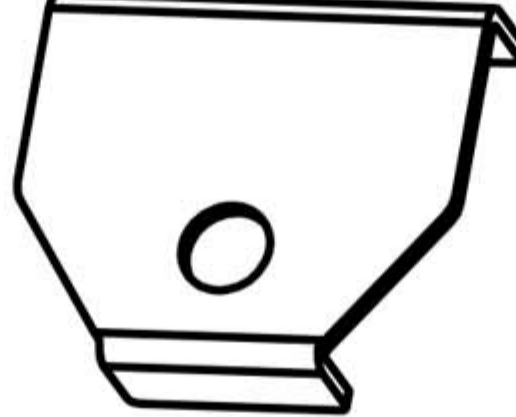
BOX 1 SKU: BPYWM24G059-1

Item no.	Reference Image	Qty.
A		2
A1		1
A2		1
A3		1
A4		1
A5		1
B		1
B1		1
B2		1

Please take care of the screws and contact the after-sales service if there is any problem with the installation or parts.



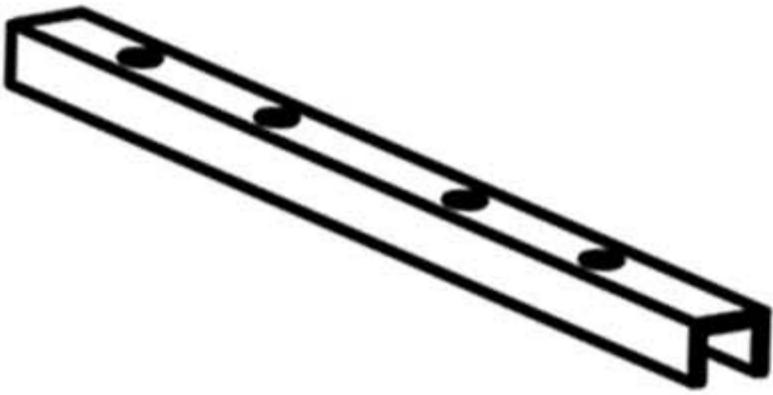
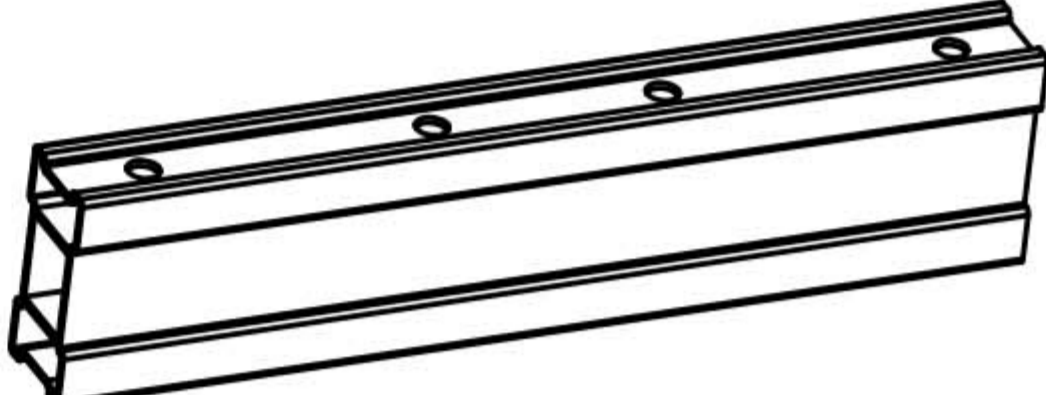
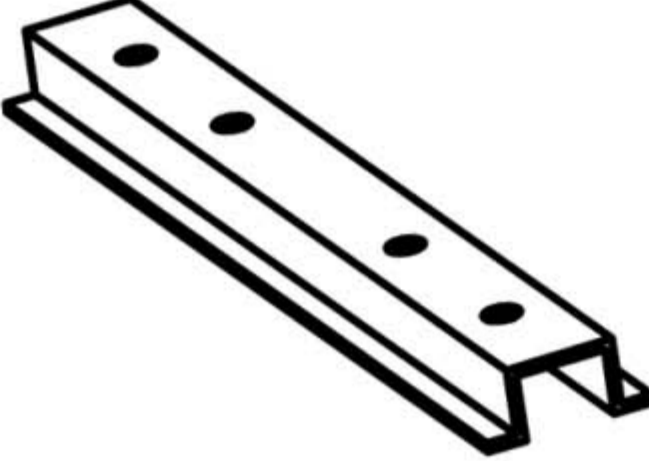
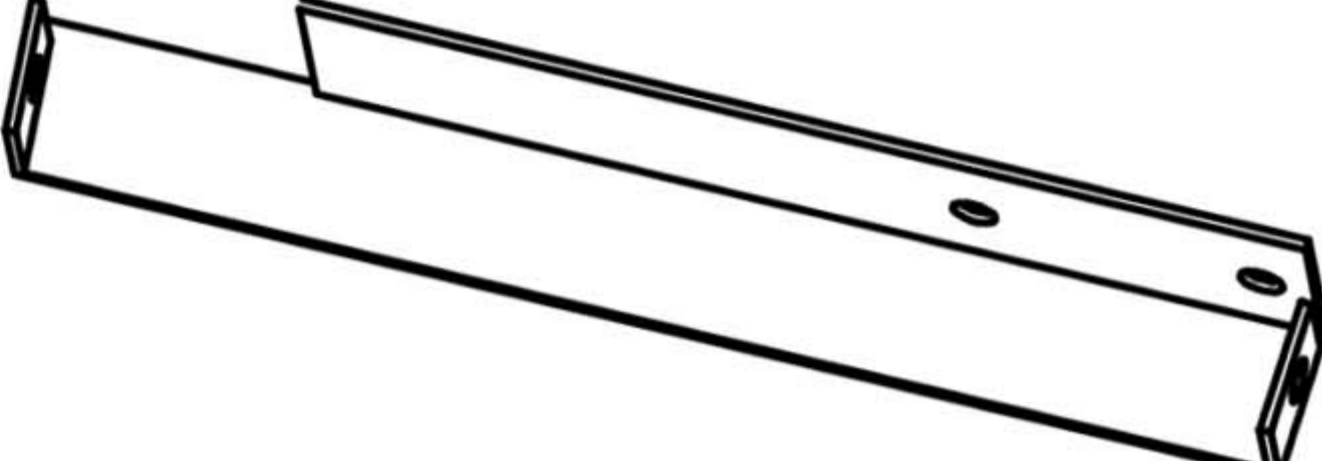
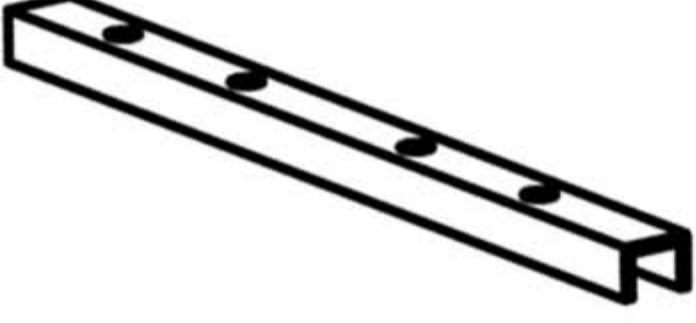
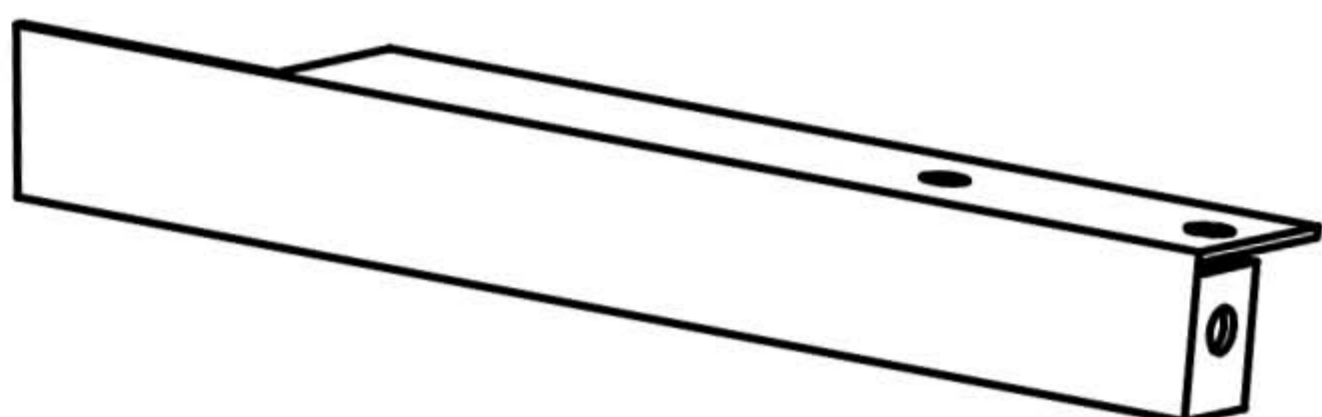
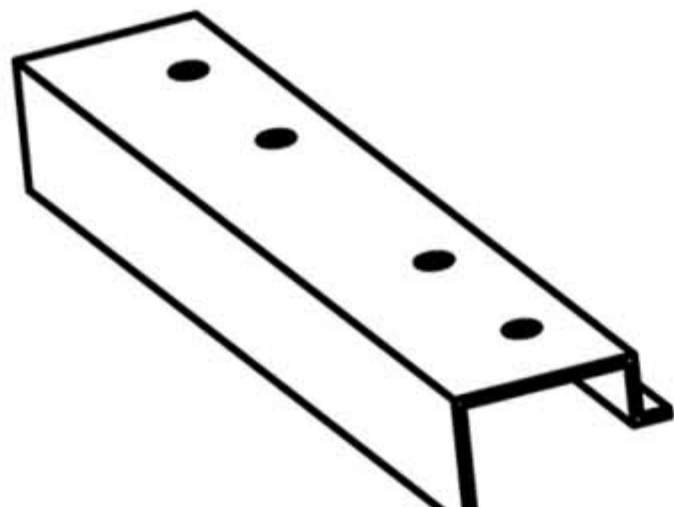
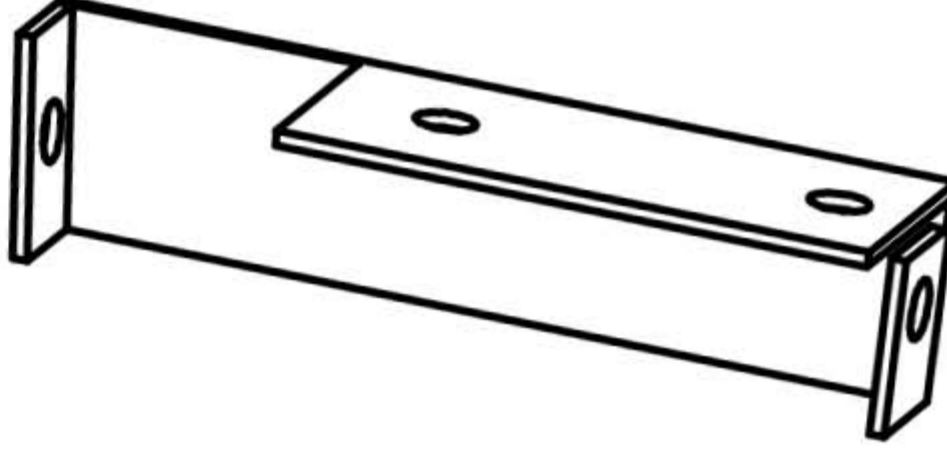
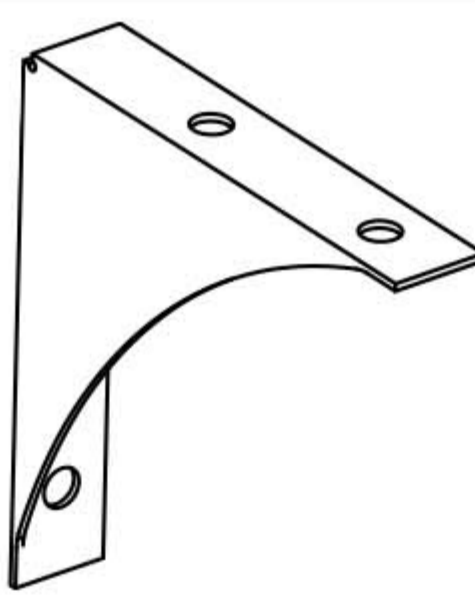
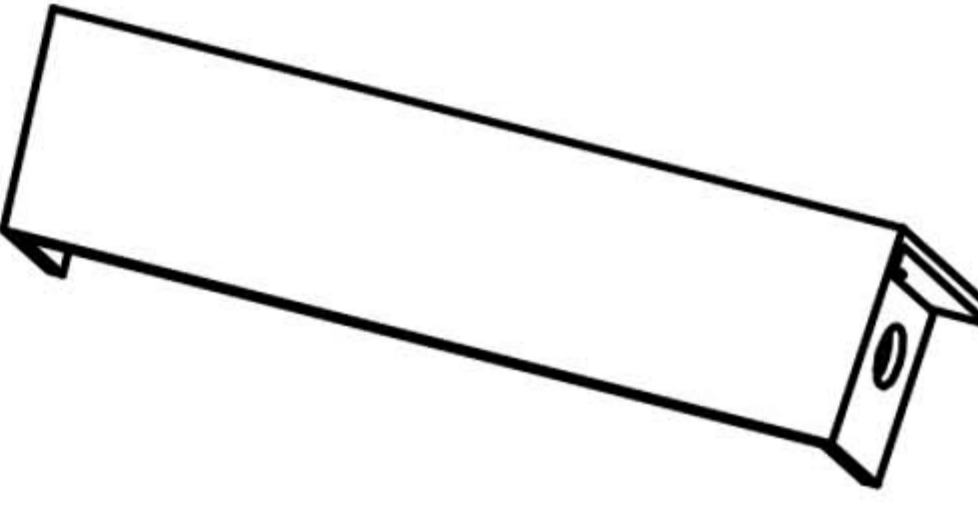
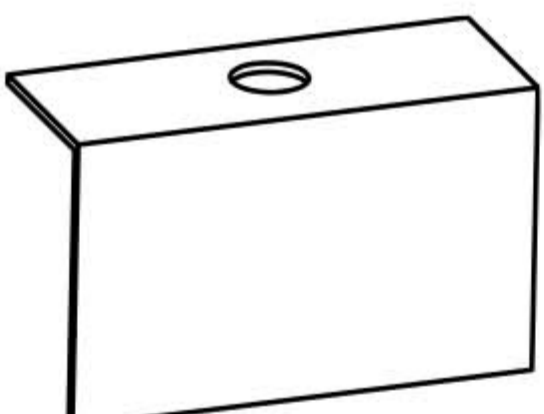

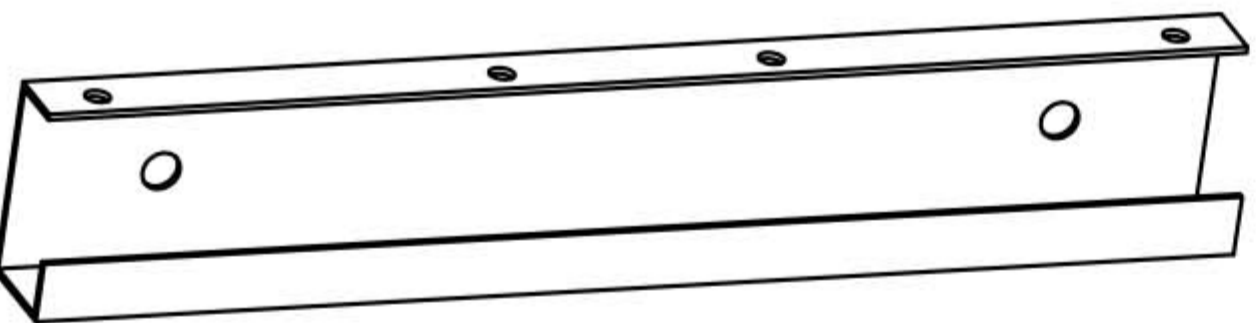

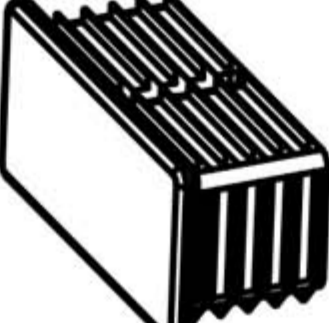

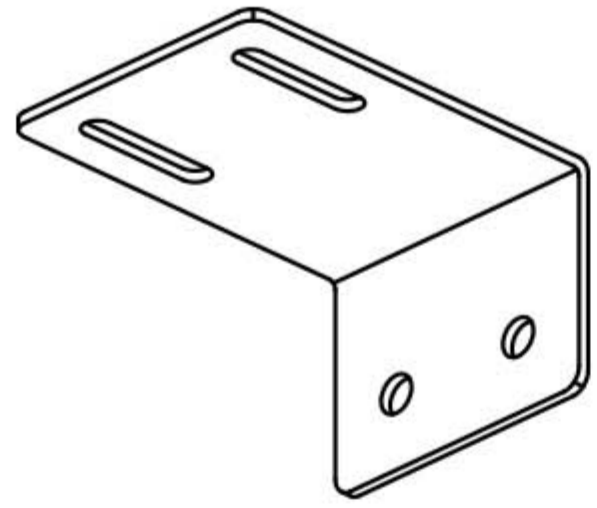
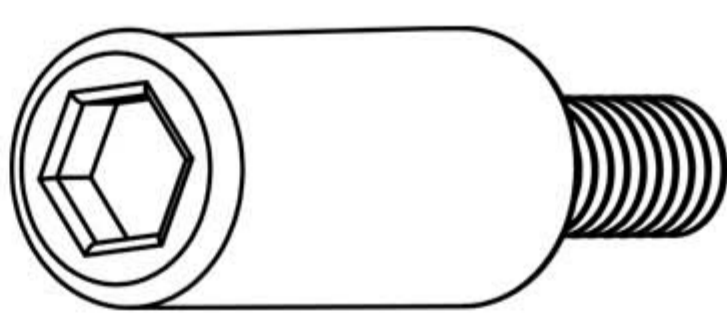
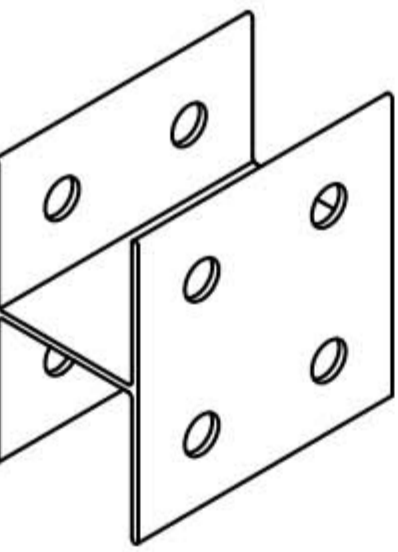
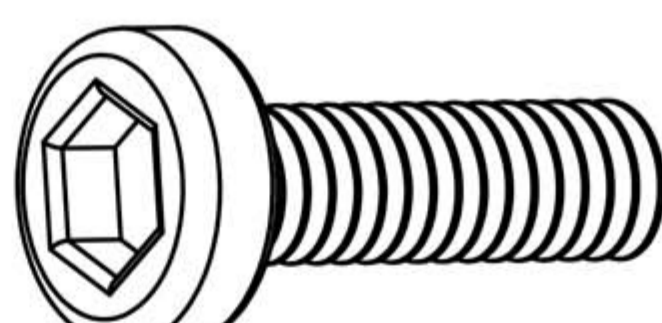
ACCESSORY CATALOGUE

Item no.	Reference Image	Qty.
C		1
C1		1
C2		1
F		4
F1		4
F2		4
I1		1
I3		1
L		12
M		20

Please take care of the screws and contact the after-sales service if there is any problem with the installation or parts.

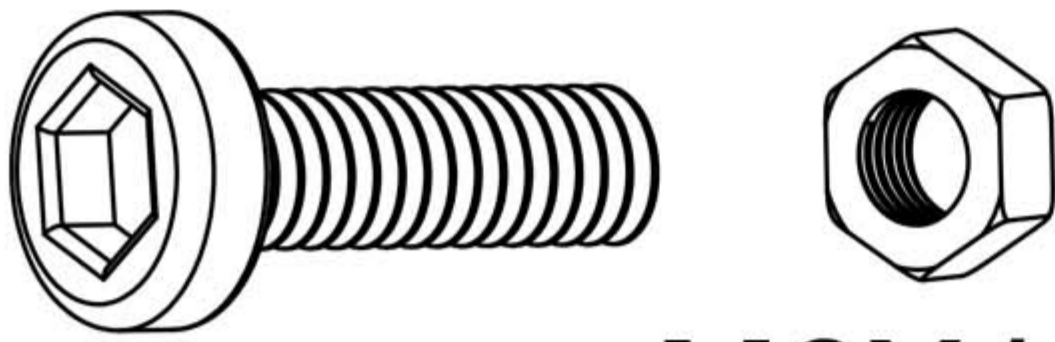
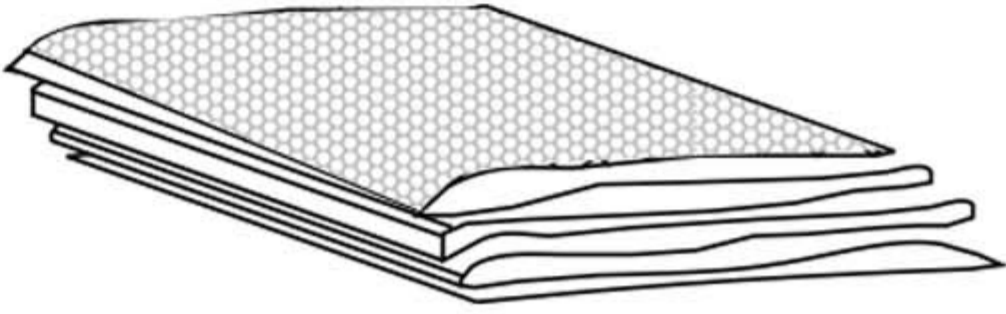
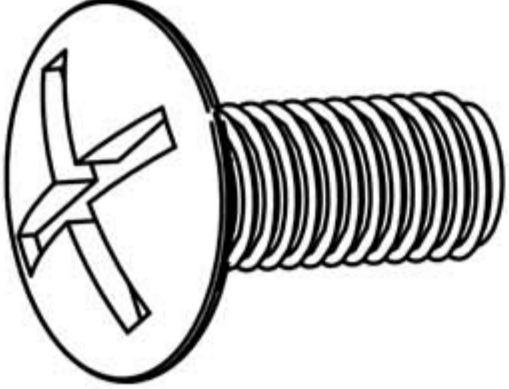


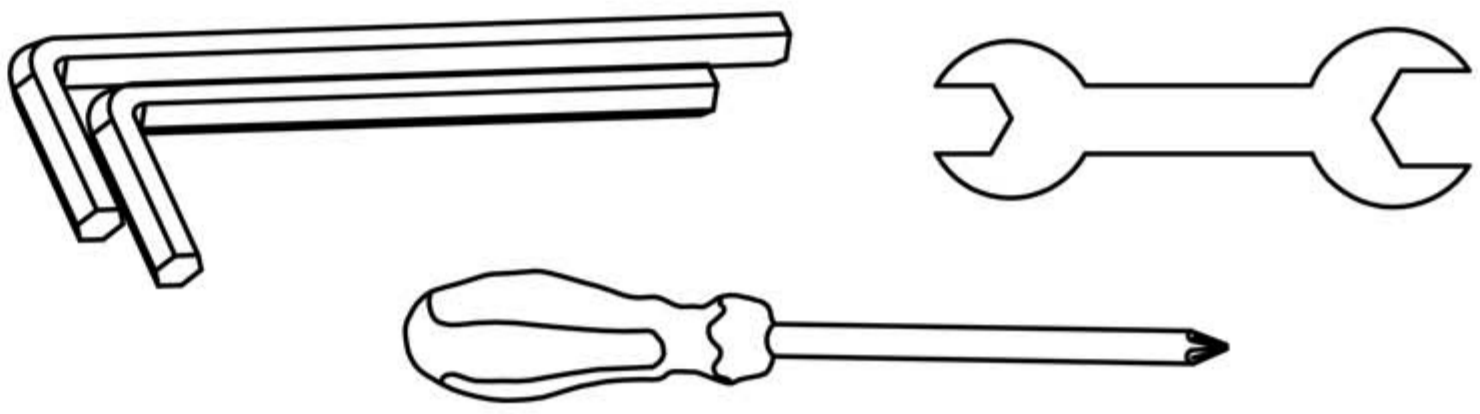
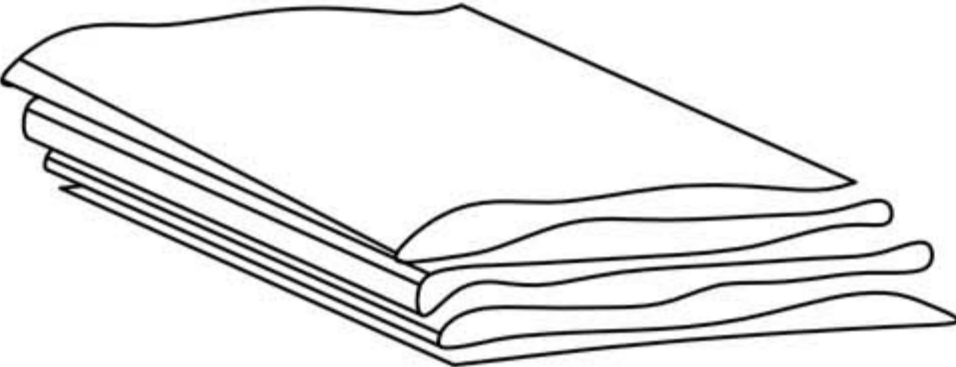
➔ ✉ E-mail: cs.helper01@gmail.com

ACCESSORY CATALOGUE




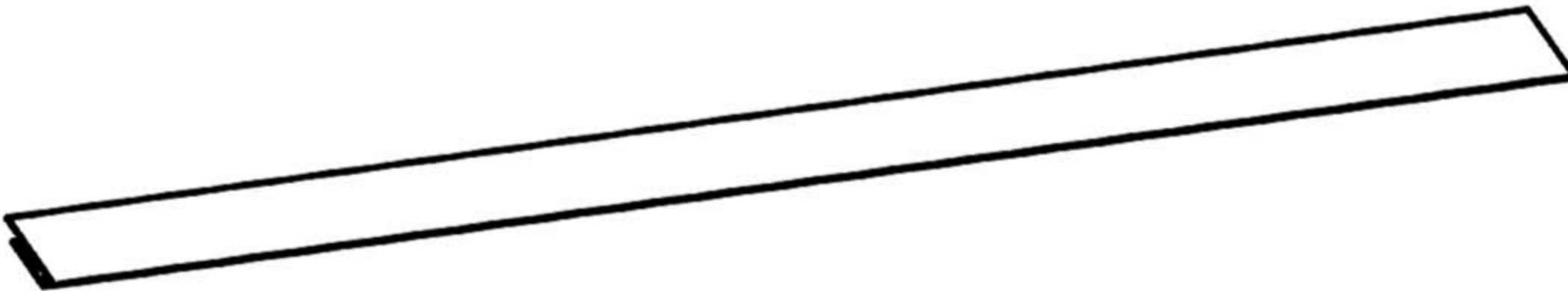
Item no.	Reference Image	Qty.	Item no.	Reference Image	Qty.
M1		10	P3		1
M2		10	R1		1
M3		2	R2		1
M4		2	R3		1
M5		24	R4		1
M6		4	S		4
M7		2	W		2
M8		16	Q		64
M9		2	X	 M6X40mm	20
P2		2	X1	 M6X15mm	246

Please take care of the screws and contact the after-sales service if there is any problem with the installation or parts.

ACCESSORY CATALOGUE

Item no.	Reference Image	Qty.	Item no.	Reference Image	Qty.
X2	 M6X15mm	44	Z1		1
X3	 M5X15mm	116	1		16
X4	 M6X40mm	8	2		1
Z		1			

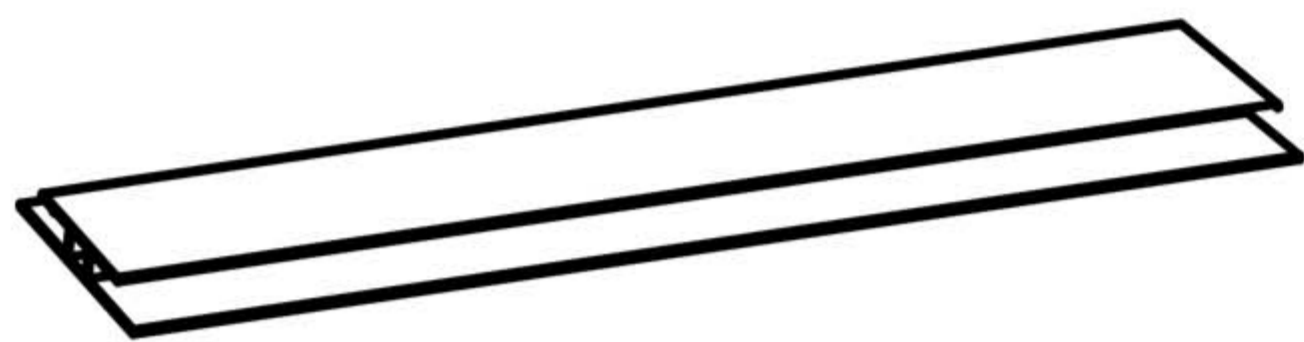
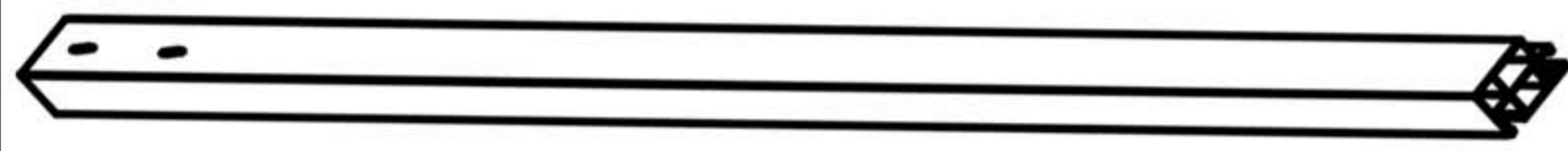
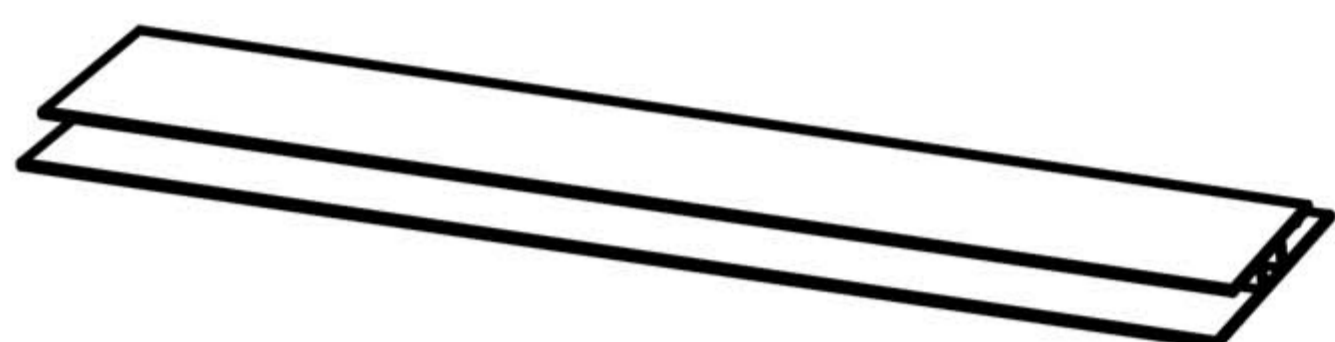
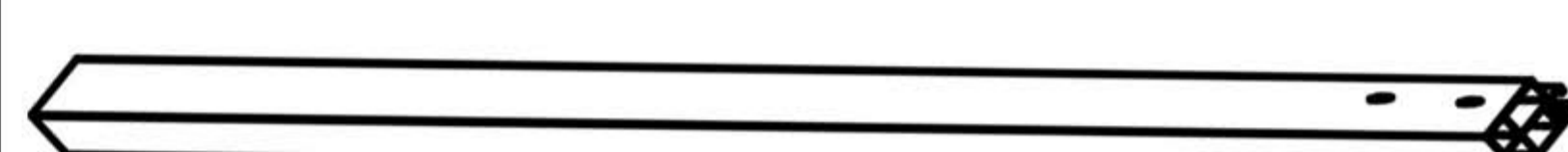



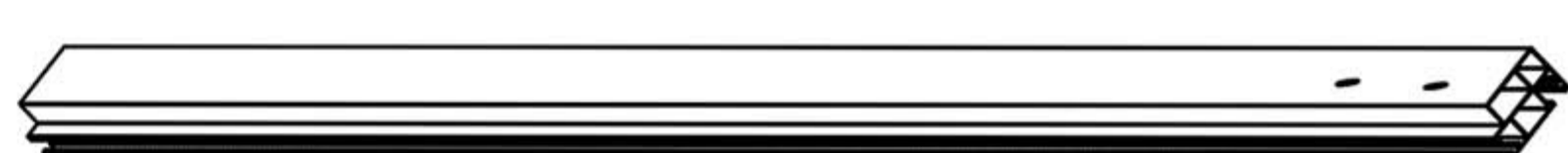
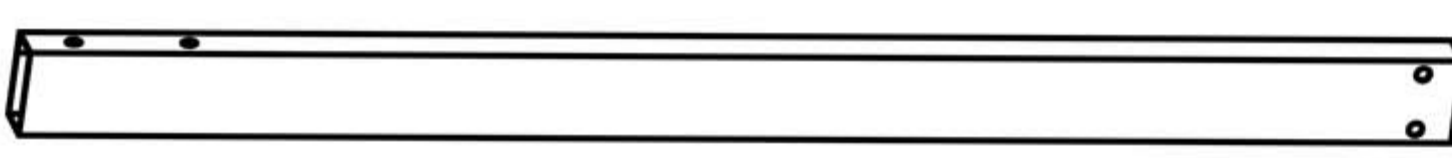

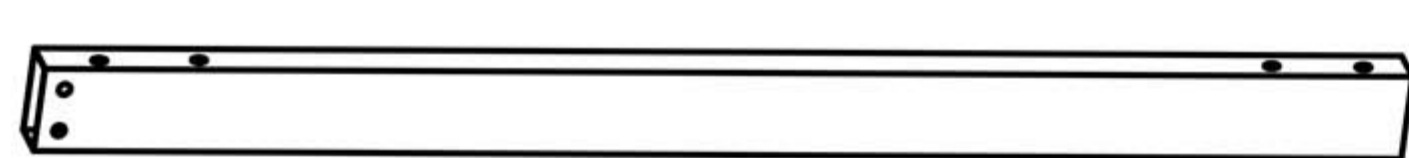


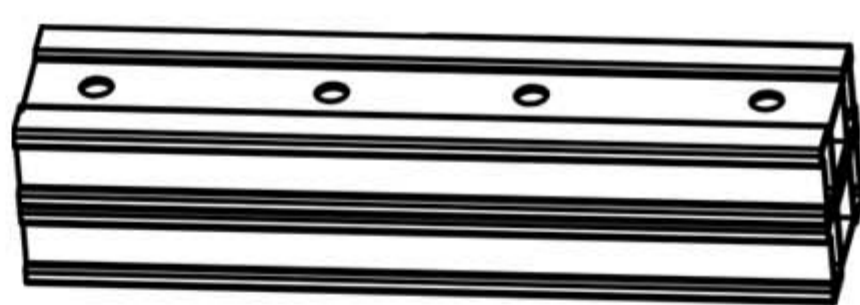
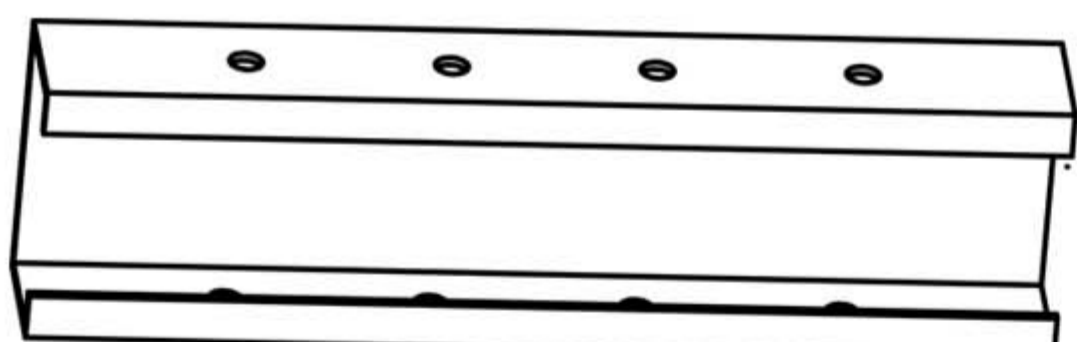
BOX 2 SKU: BPYWM24G059-2

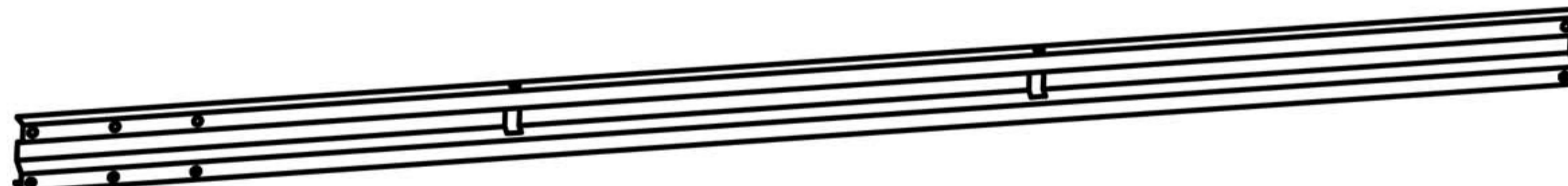
Item no.	Reference Image	Qty.
G		22
G1		1
G2		1
I		22

Please take care of the screws and contact the after-sales service if there is any problem with the installation or parts.

➔ ✉ E-mail: cs.helper01@gmail.com

ACCESSORY CATALOGUE

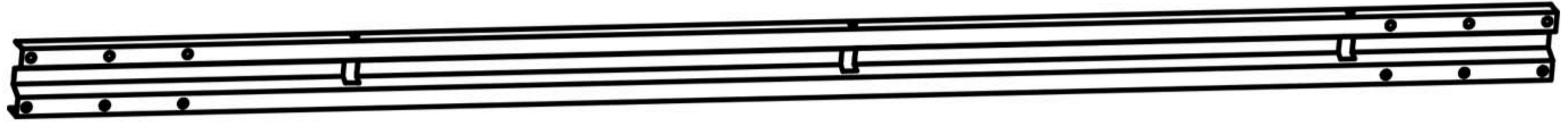
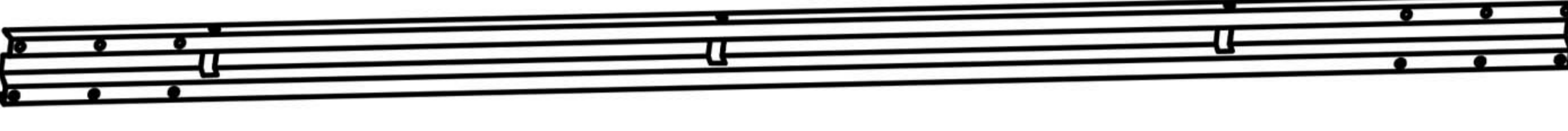

Item no.	Reference Image	Qty.	Item no.	Reference Image	Qty.
I2		1	E		1
I4		1	E1		1
K		10	E2		1
K1		10	E3		1
A6		1	D		2
A7		1	D1		2
W1		2	P1		2
P		4			

Item no.	Reference Image	Qty.
N1		2

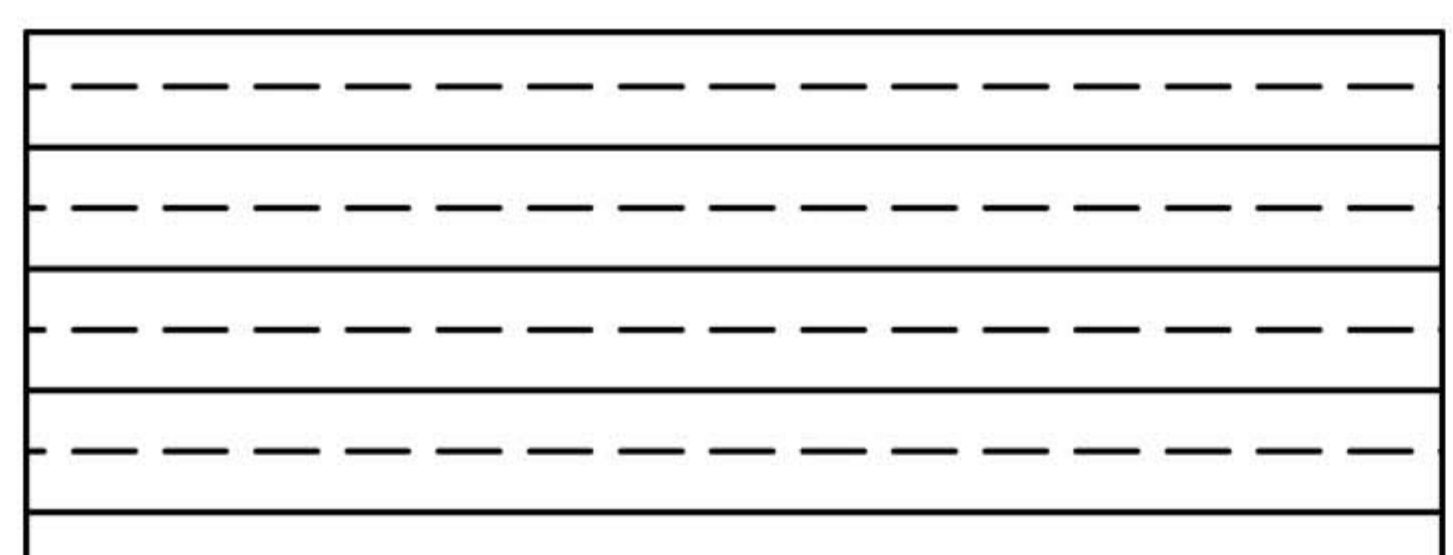
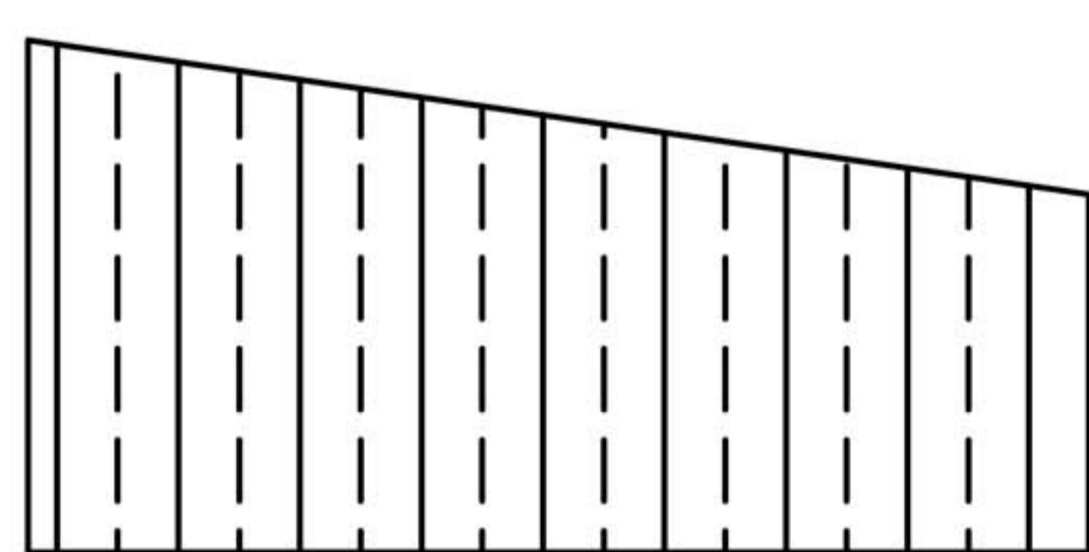


Please take care of the screws and contact the after-sales service if there is any problem with the installation or parts.

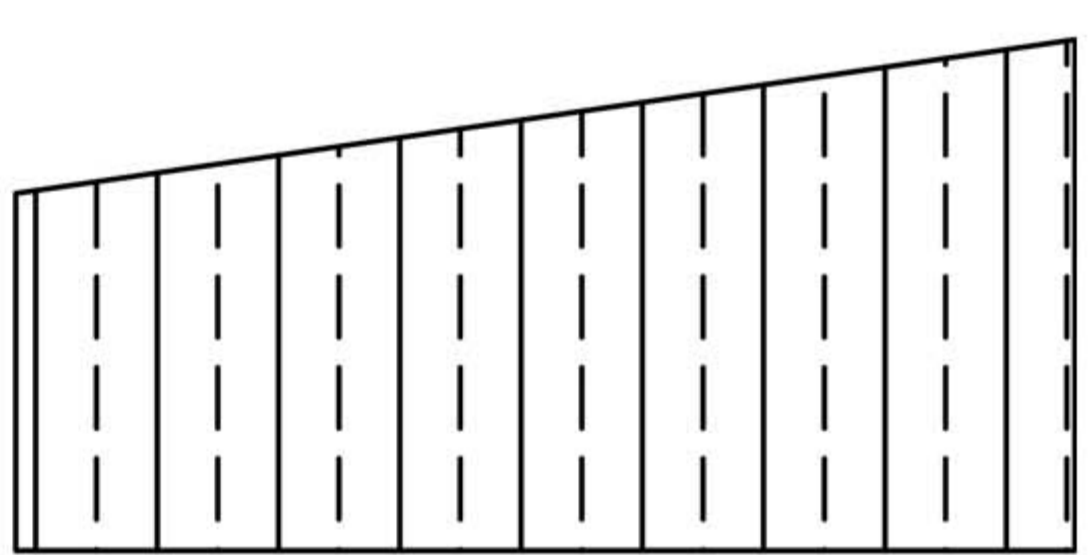
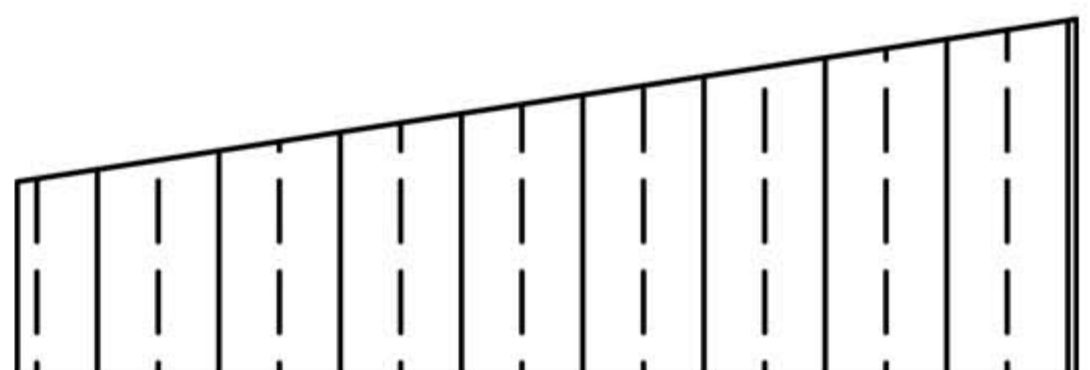
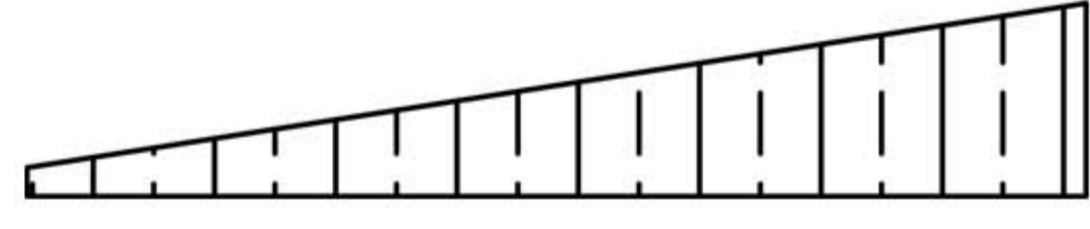


ACCESSORY CATALOGUE

Item no.	Reference Image	Qty.
N2		2
N3		2
N4		2

BOX 3 SKU: BPYWM24G059-3

Item no.	Reference Image	Qty.
Y		33
Y1		1
Y2		1
Y3		1

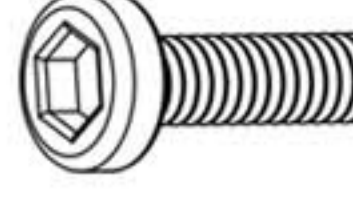
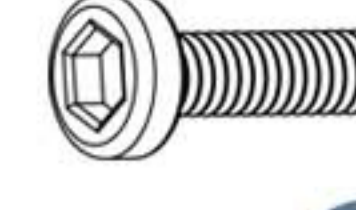


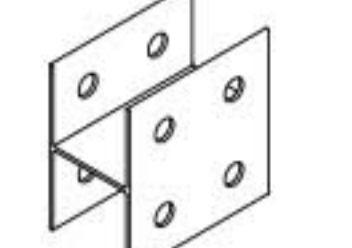
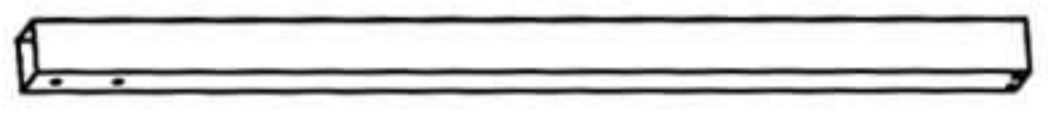
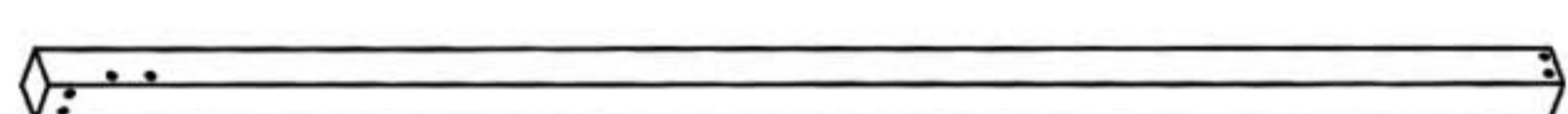
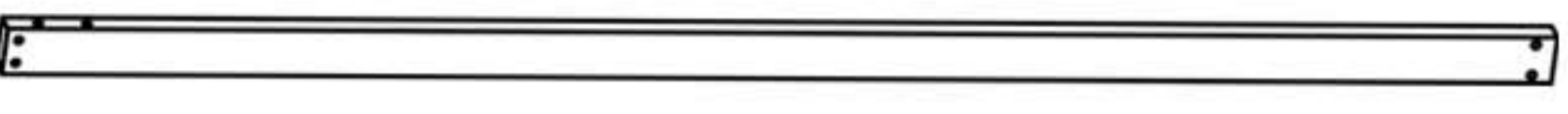
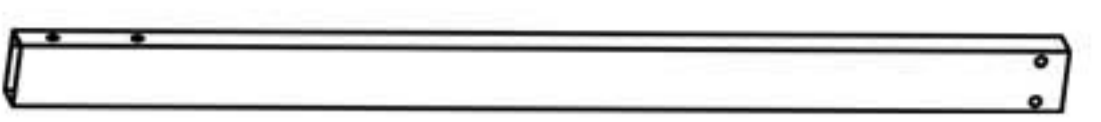
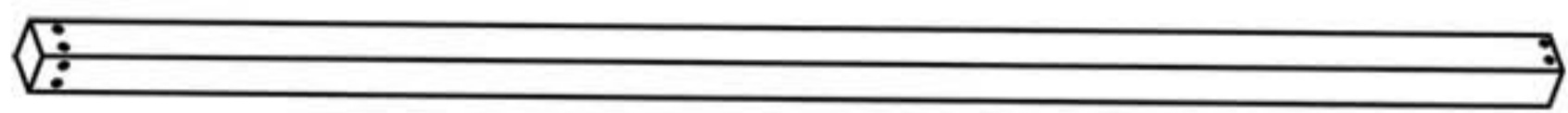
Item no.	Reference Image	Qty.
Y4		1
Y5		1
Y6		1

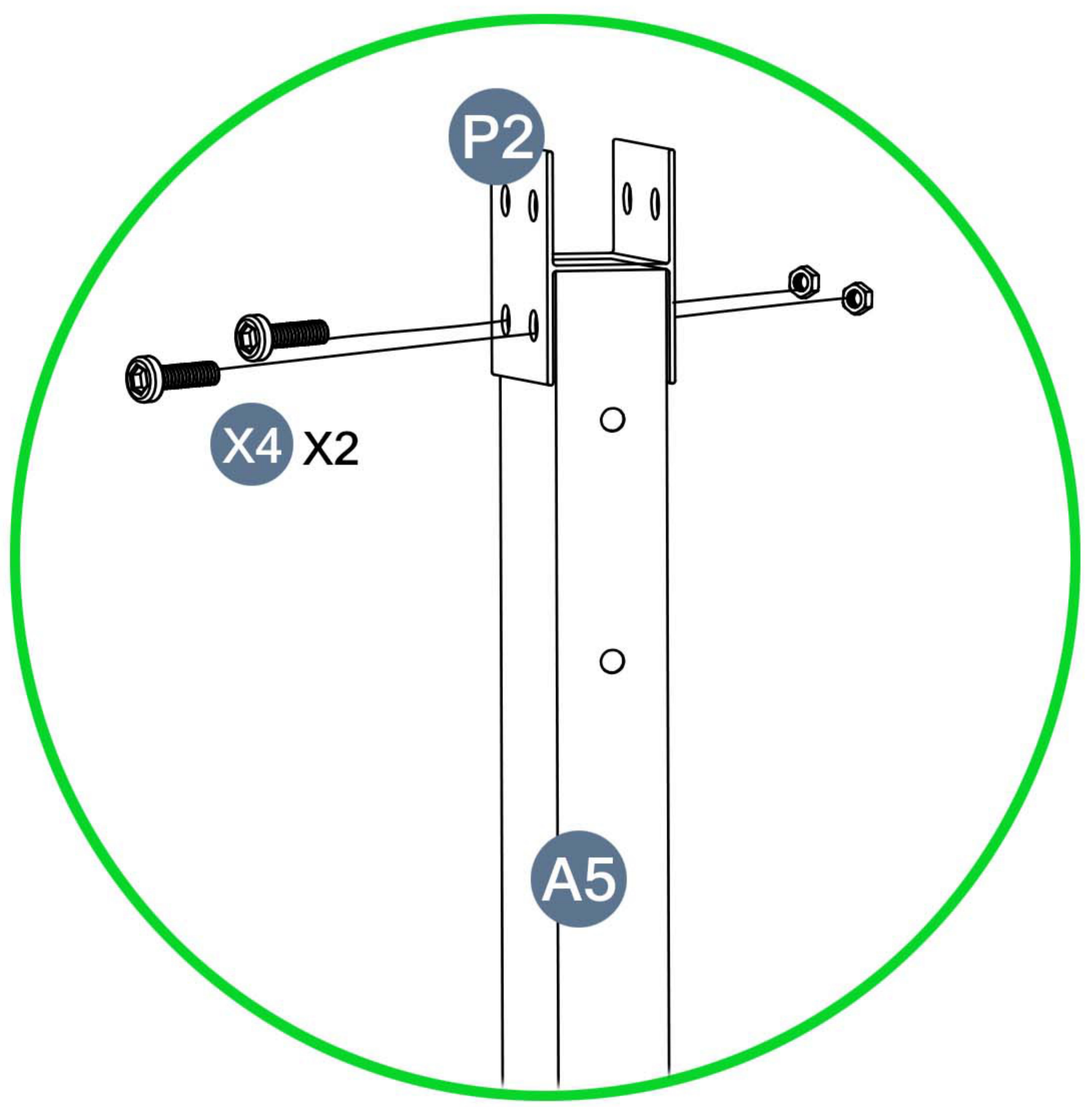
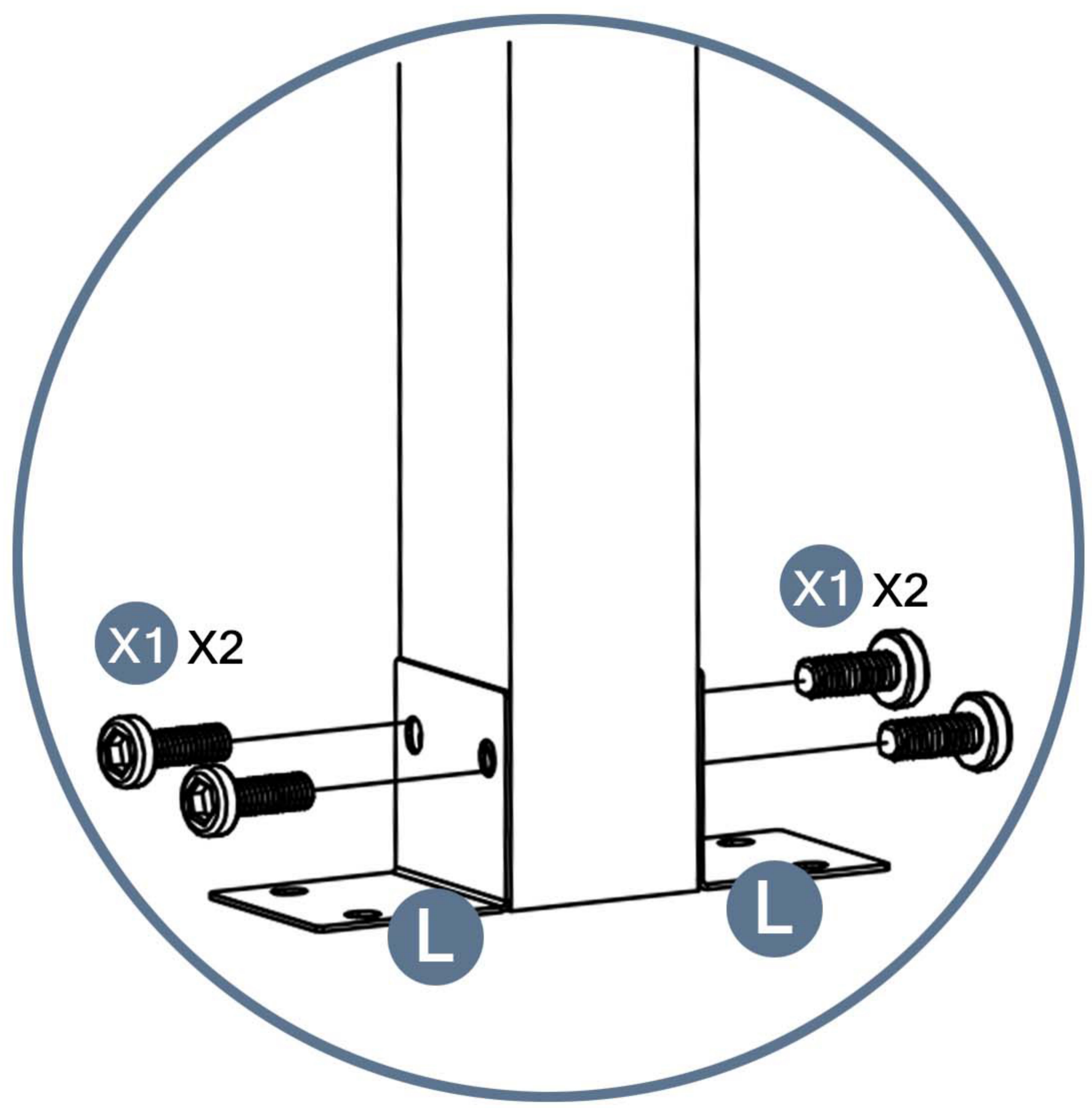
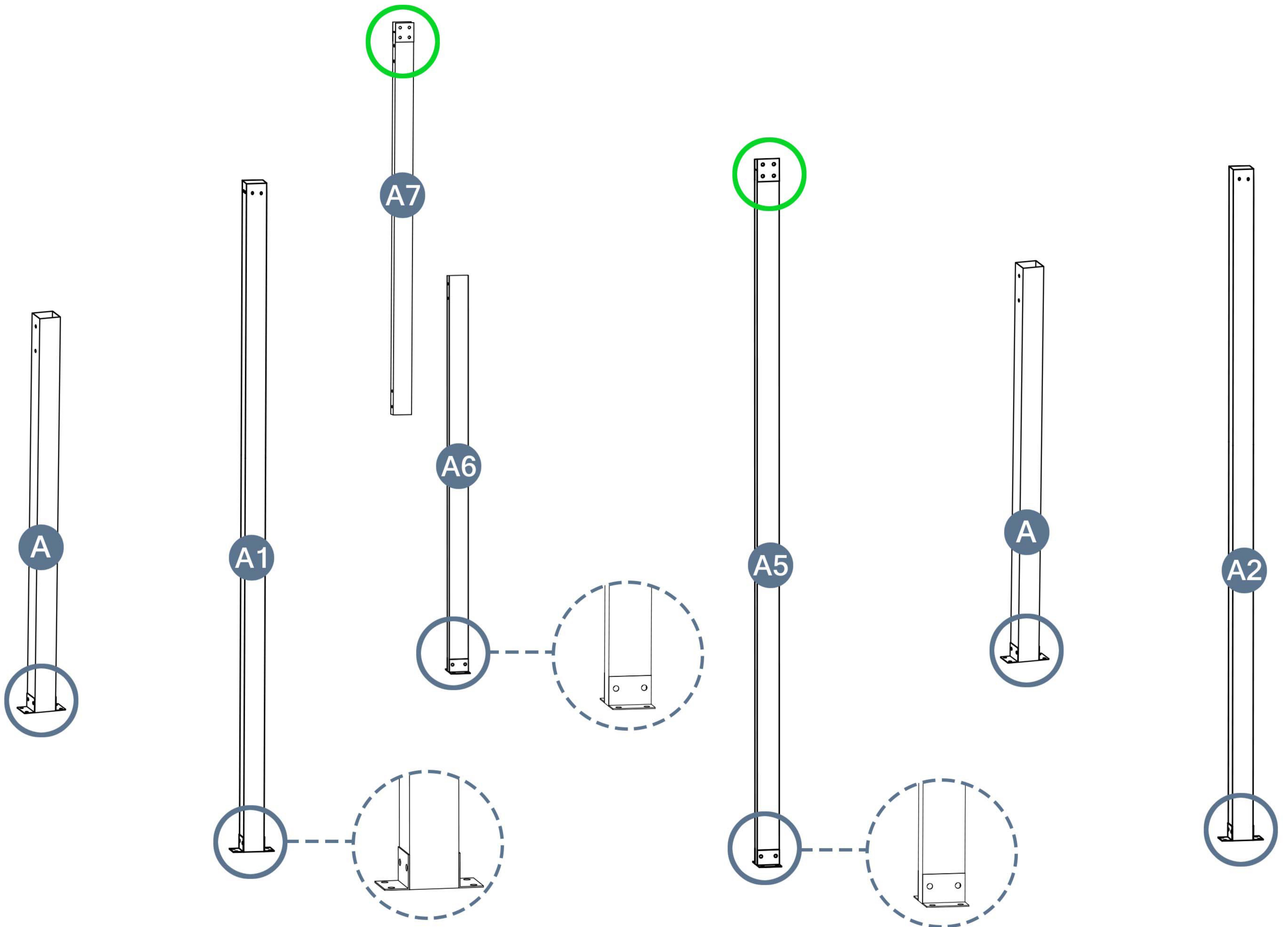
Please take care of the screws and contact the after-sales service if there is any problem with the installation or parts.

➔ ✉ E-mail: cs.helper01@gmail.com

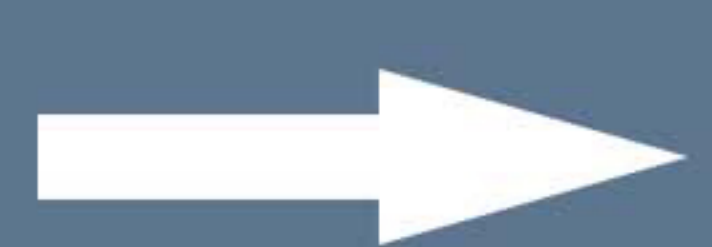
STEP 1

Parts required

-  **X1** 24pcs
-   **X4** 4pcs
-  **L** 12pcs
-  **P2** 2pcs
-  **A** 2pcs
-  **A1** 1pcs
-  **A5** 1pcs
-  **A6** 1pcs
-  **A7** 1pcs

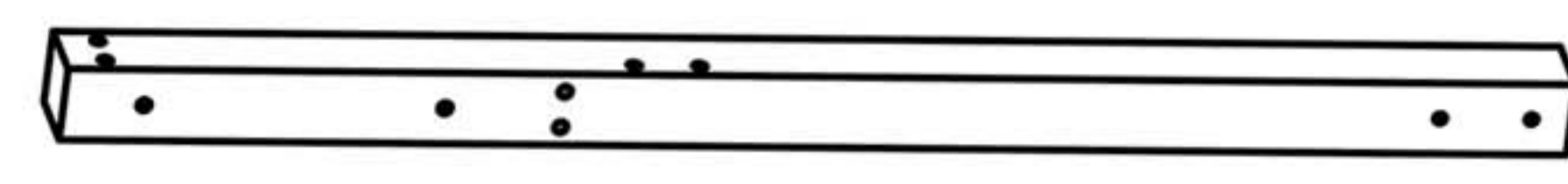


Please take care of the screws and contact the after-sales service if there is any problem with the installation or parts.

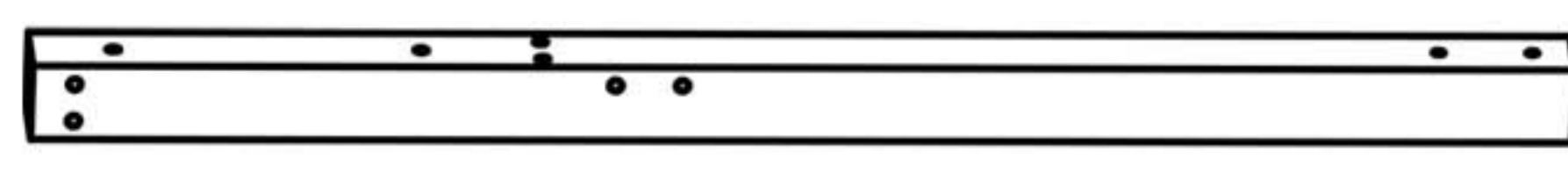


STEP 2

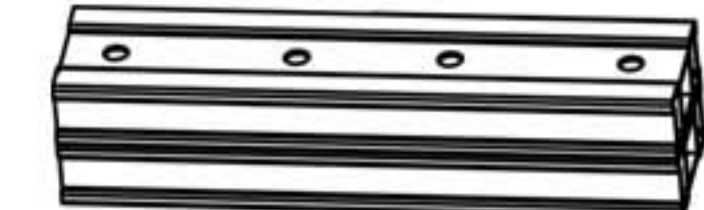
Parts required



A3 1pcs



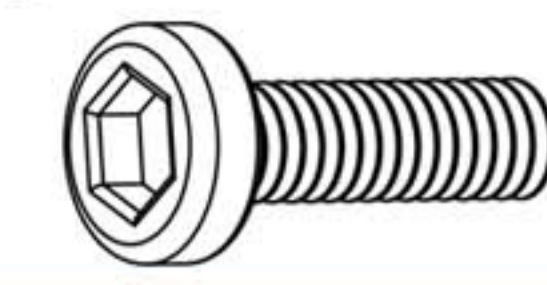
A4 1pcs



P1 2pcs



P3 1pcs



X1 24pcs

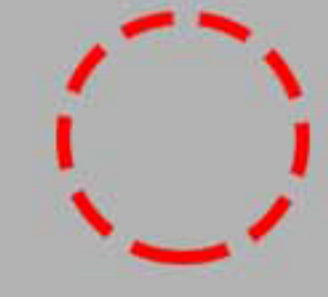
1



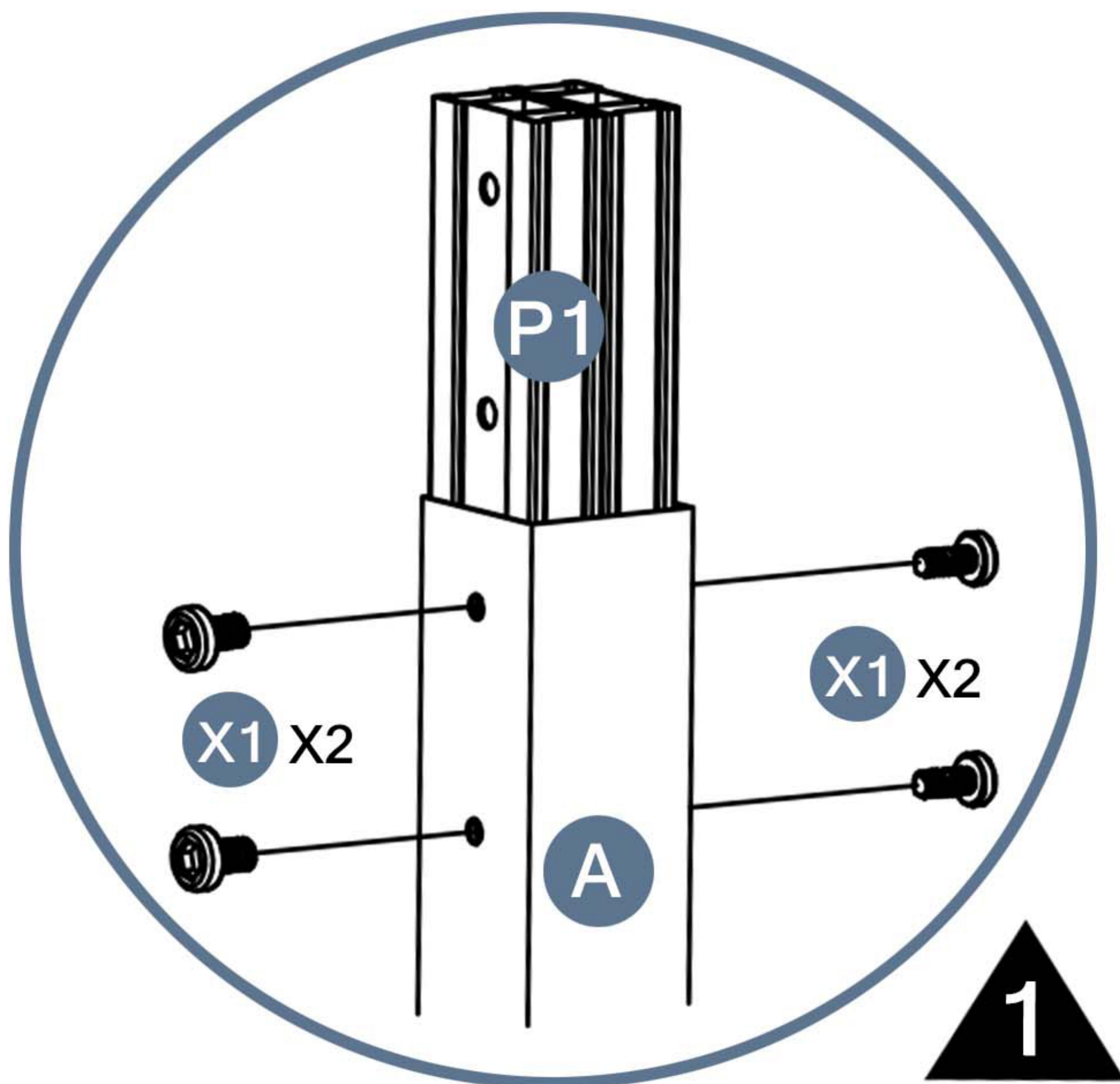
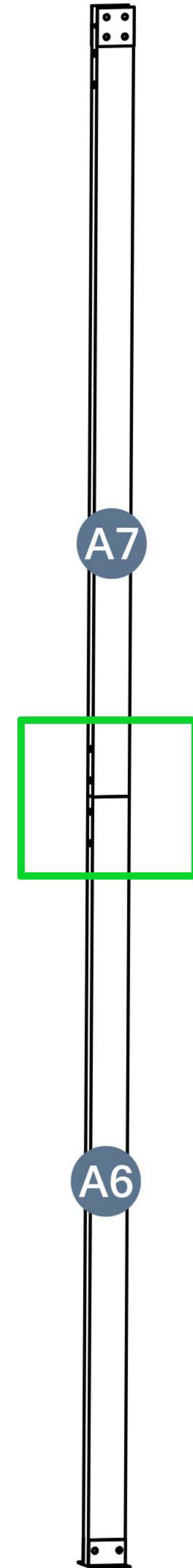
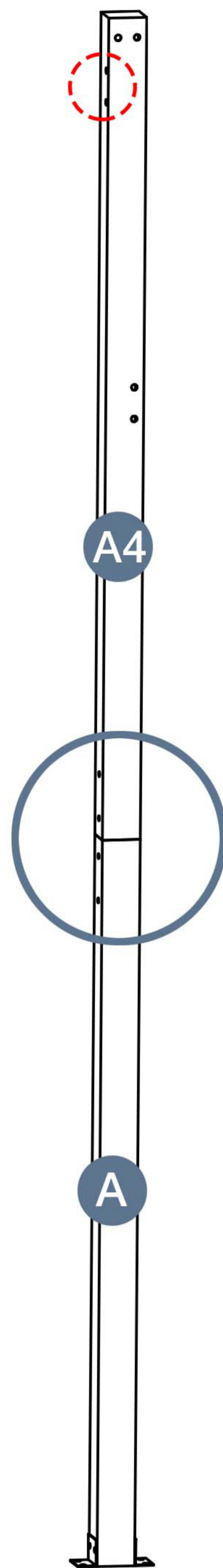
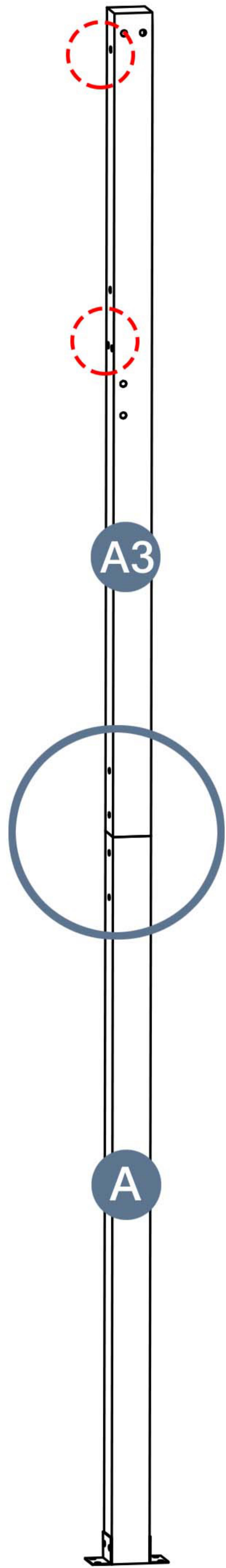
2



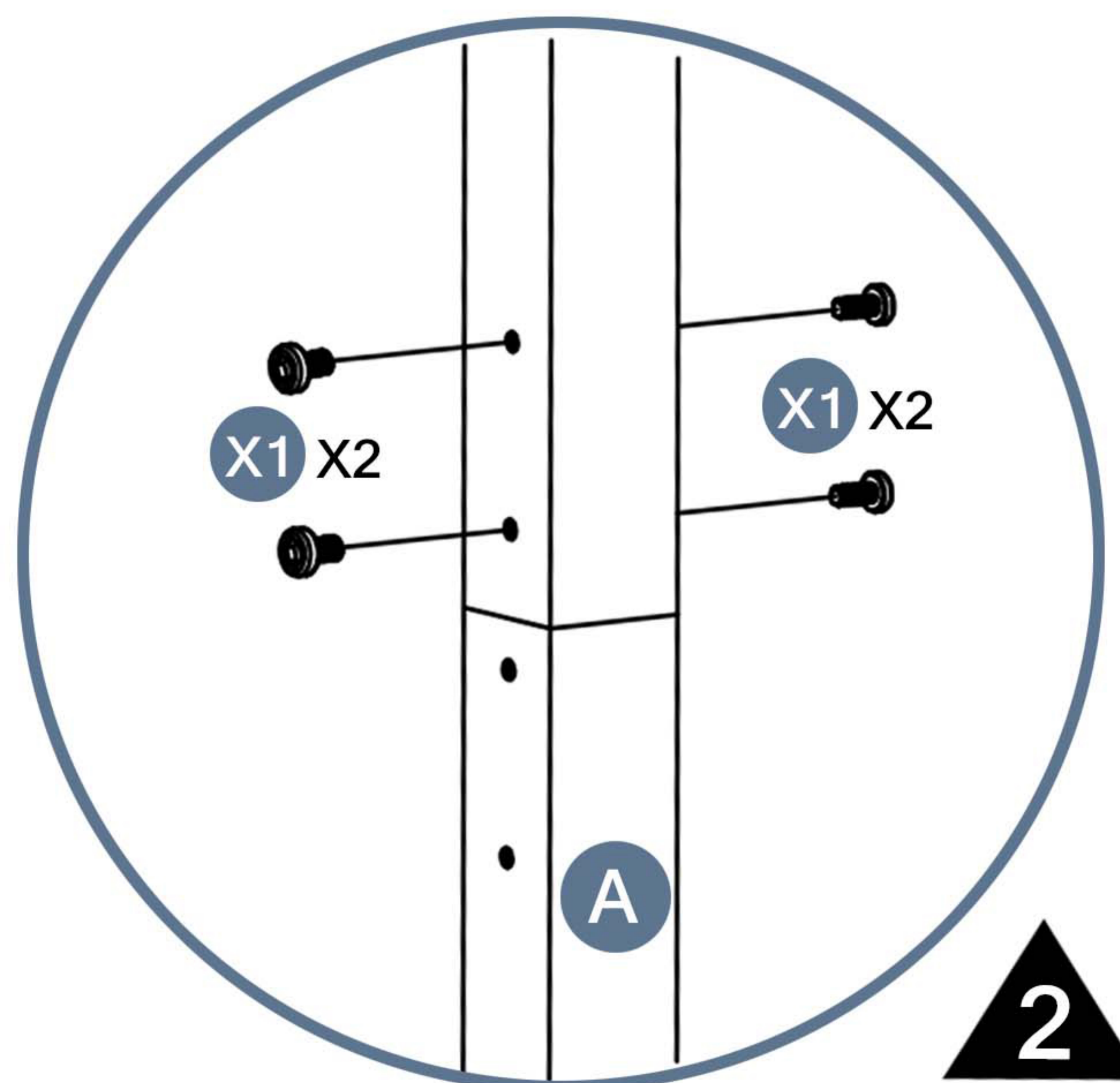
3



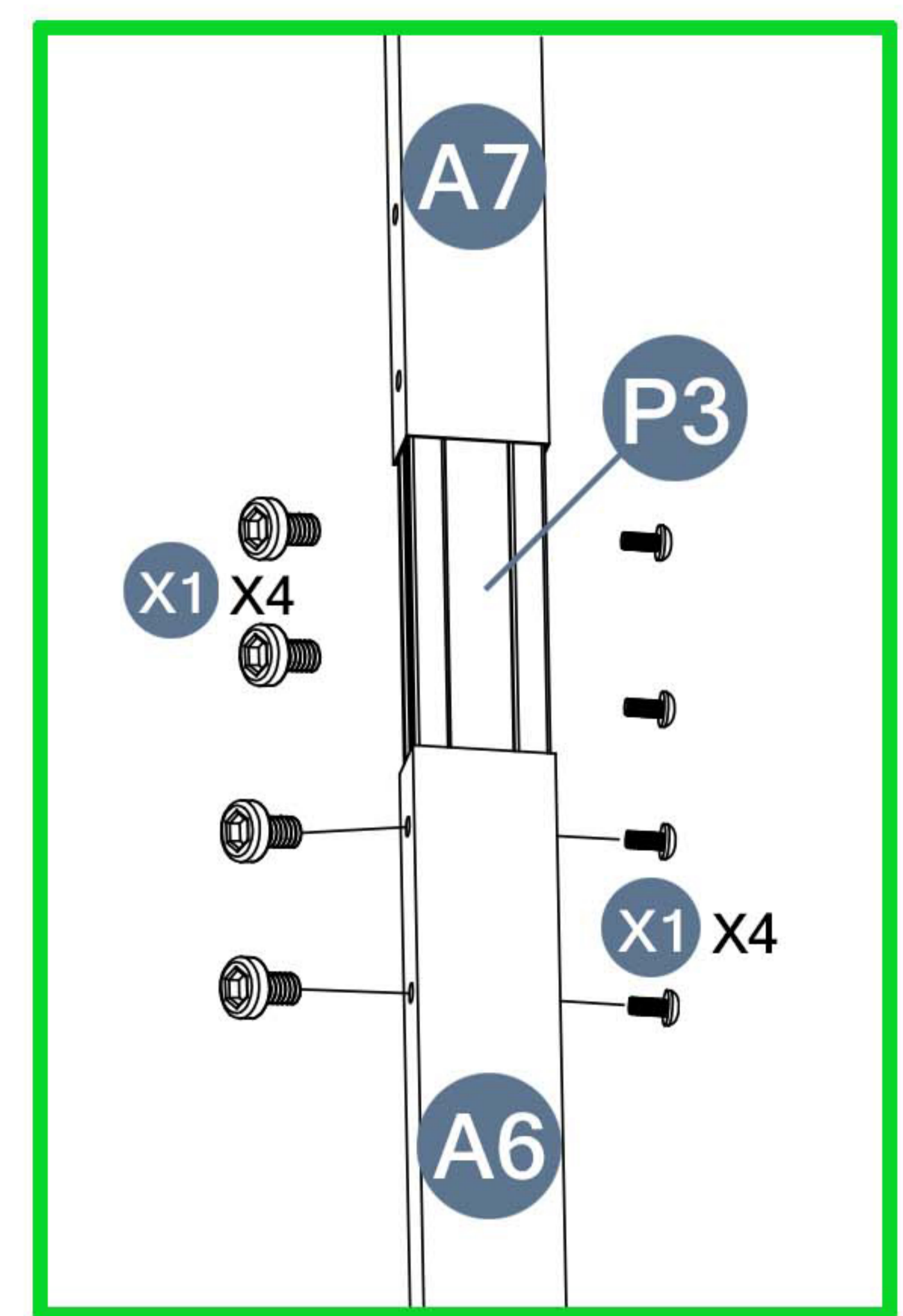
Please note the orientation of the hole.



1

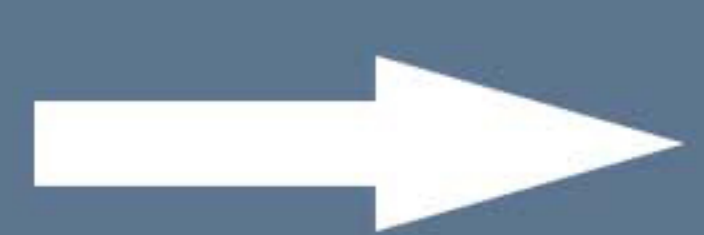


2



3

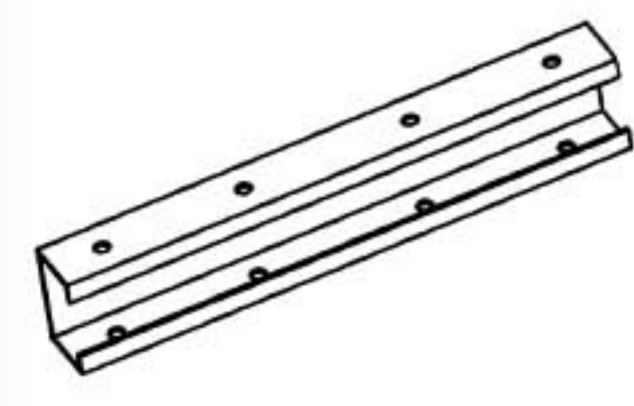
Please take care of the screws and contact the after-sales service if there is any problem with the installation or parts.



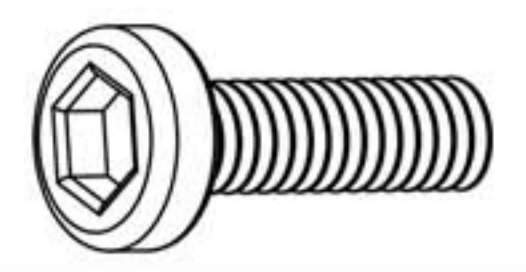
E-mail: cs.helper01@gmail.com

STEP 3

Parts required



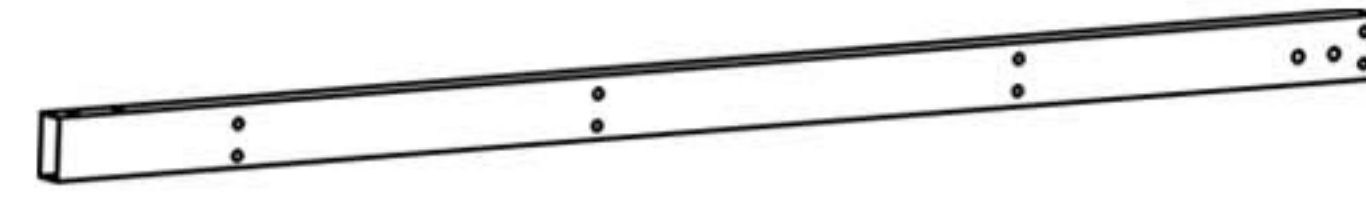
P 4pcs



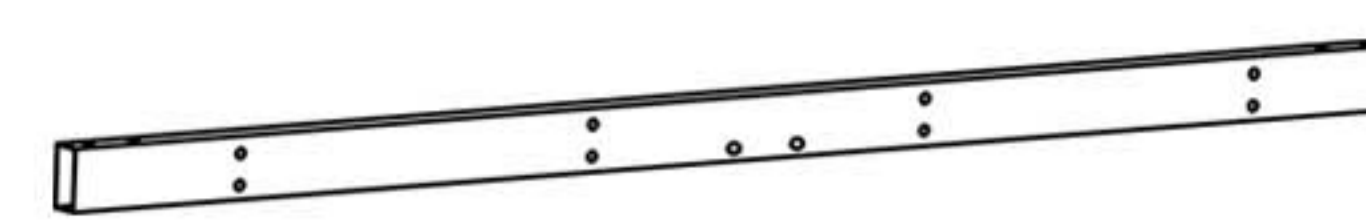
X1 28pcs



C 1pcs



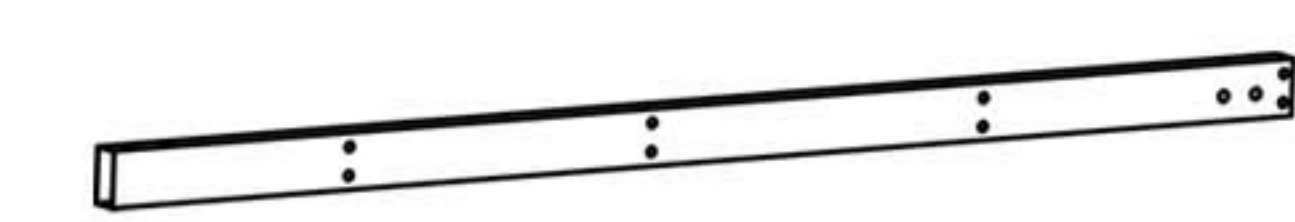
C1 1pcs



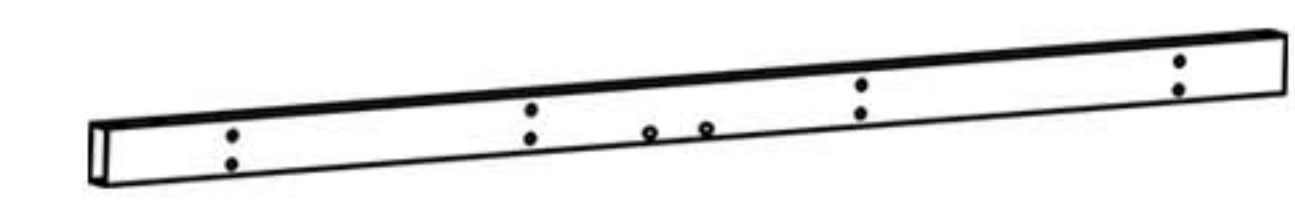
C2 1pcs



B 1pcs

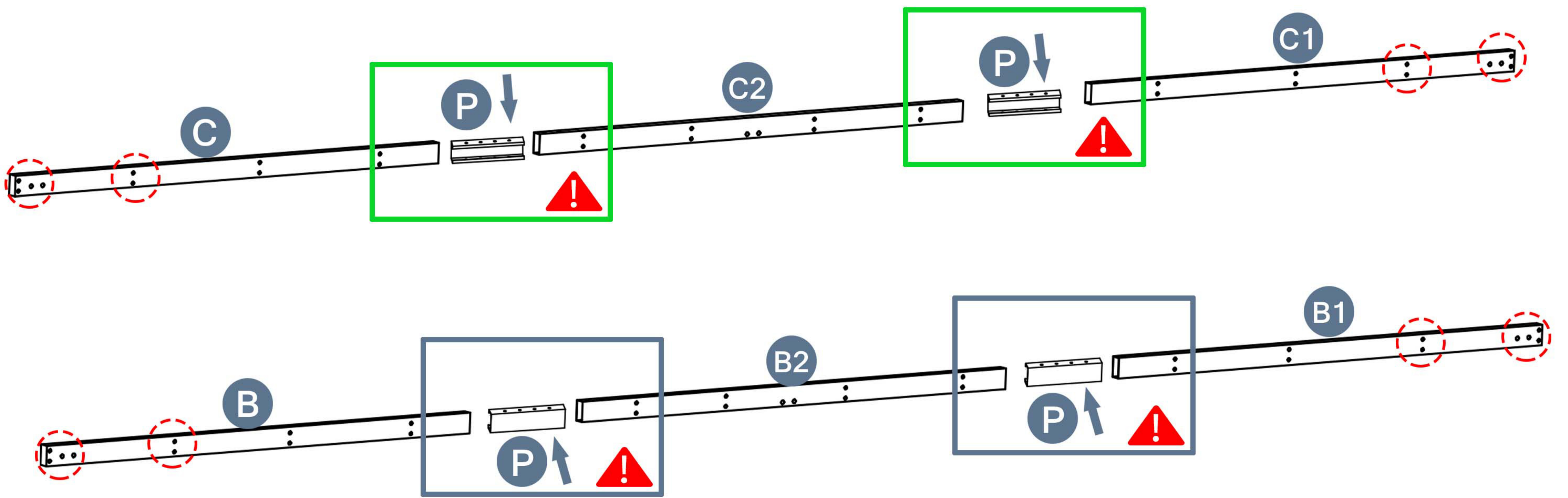


B1 1pcs



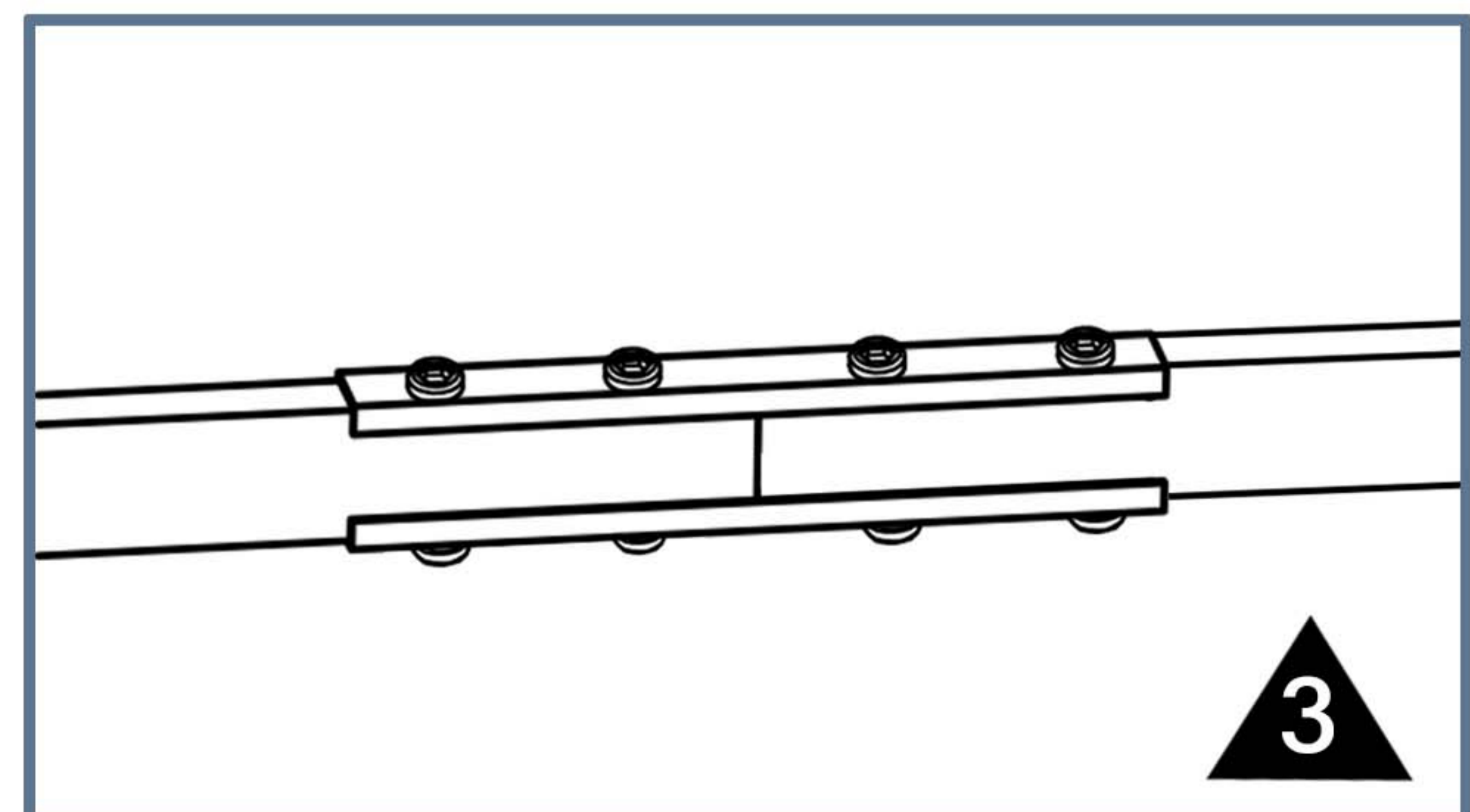
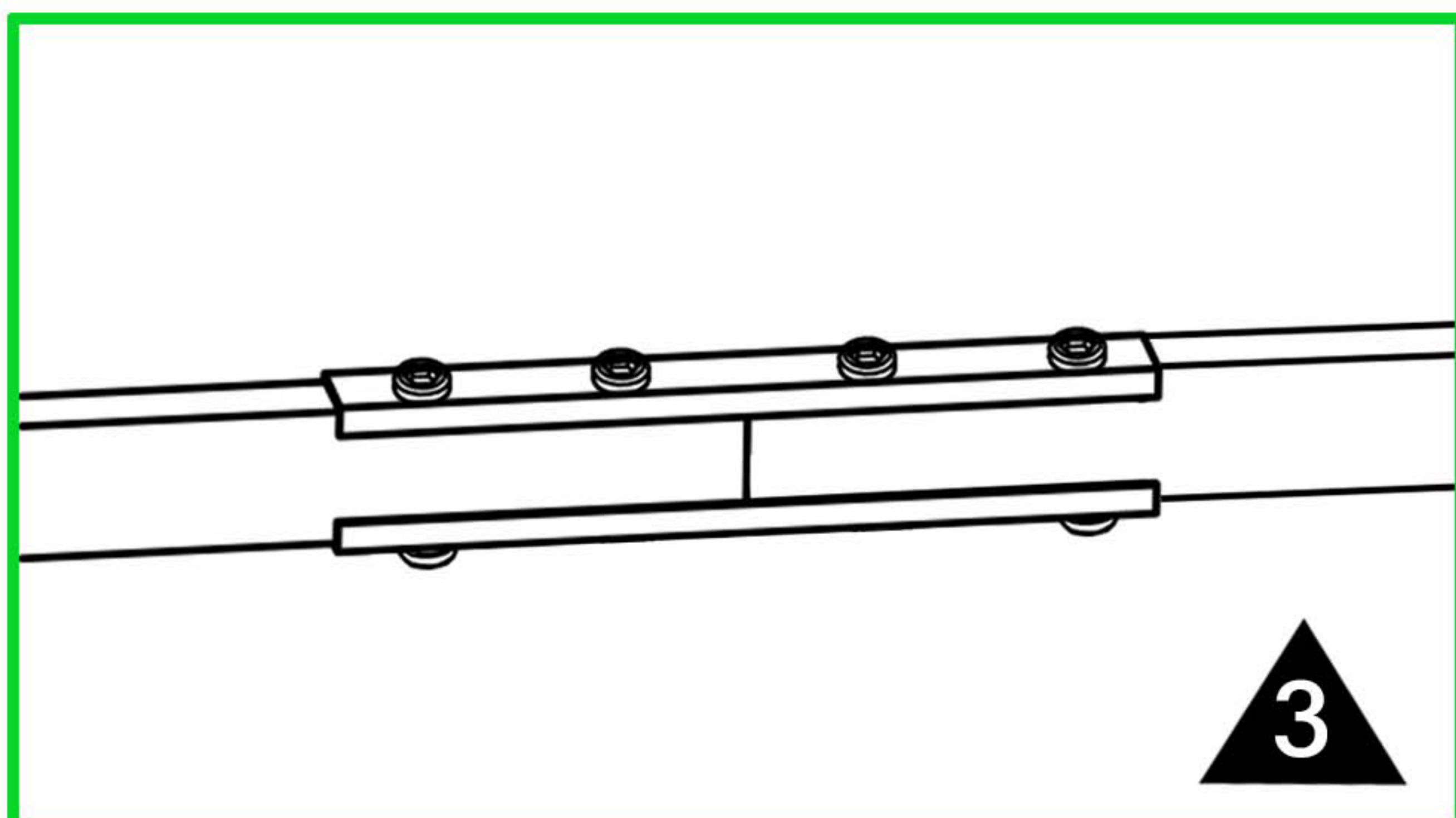
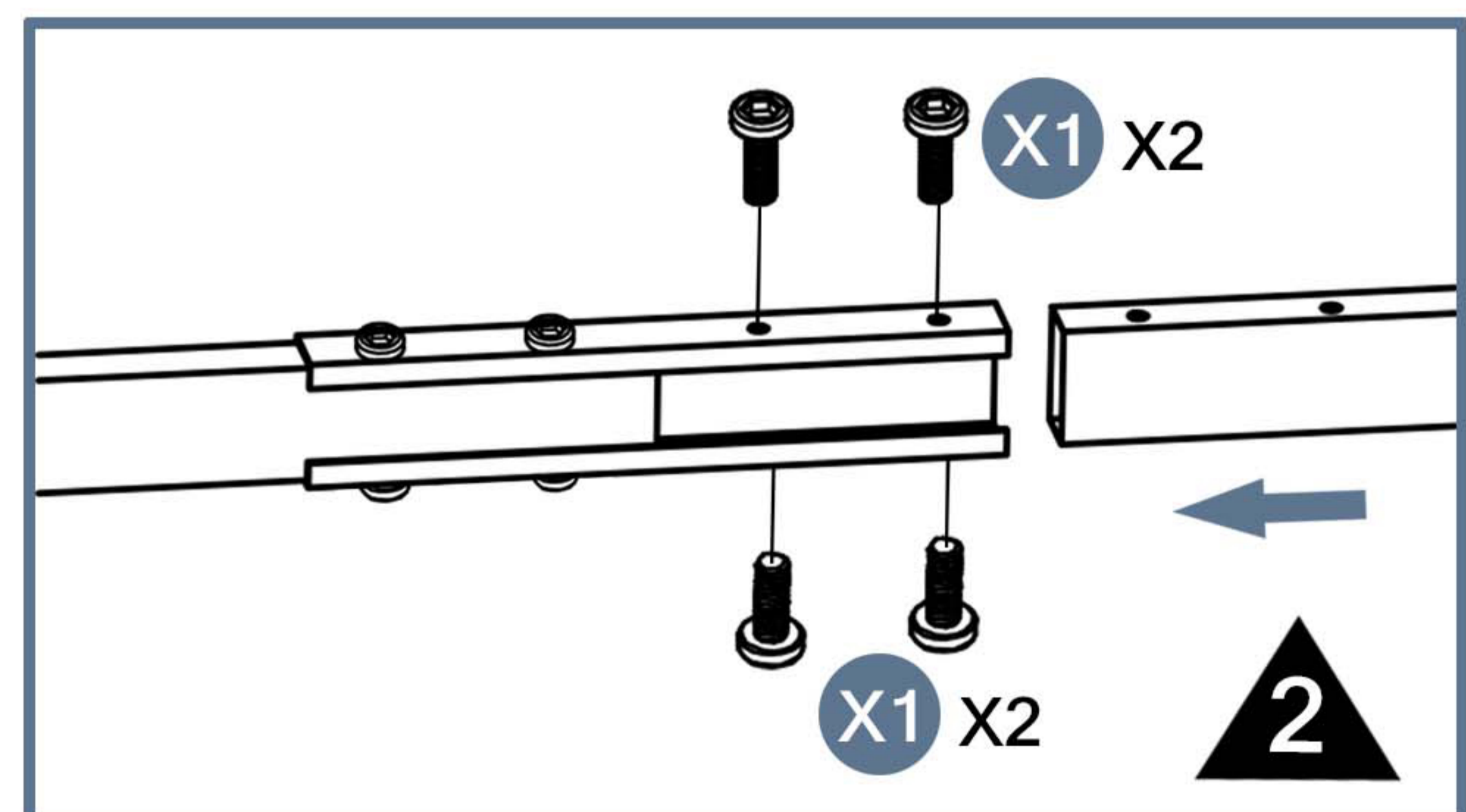
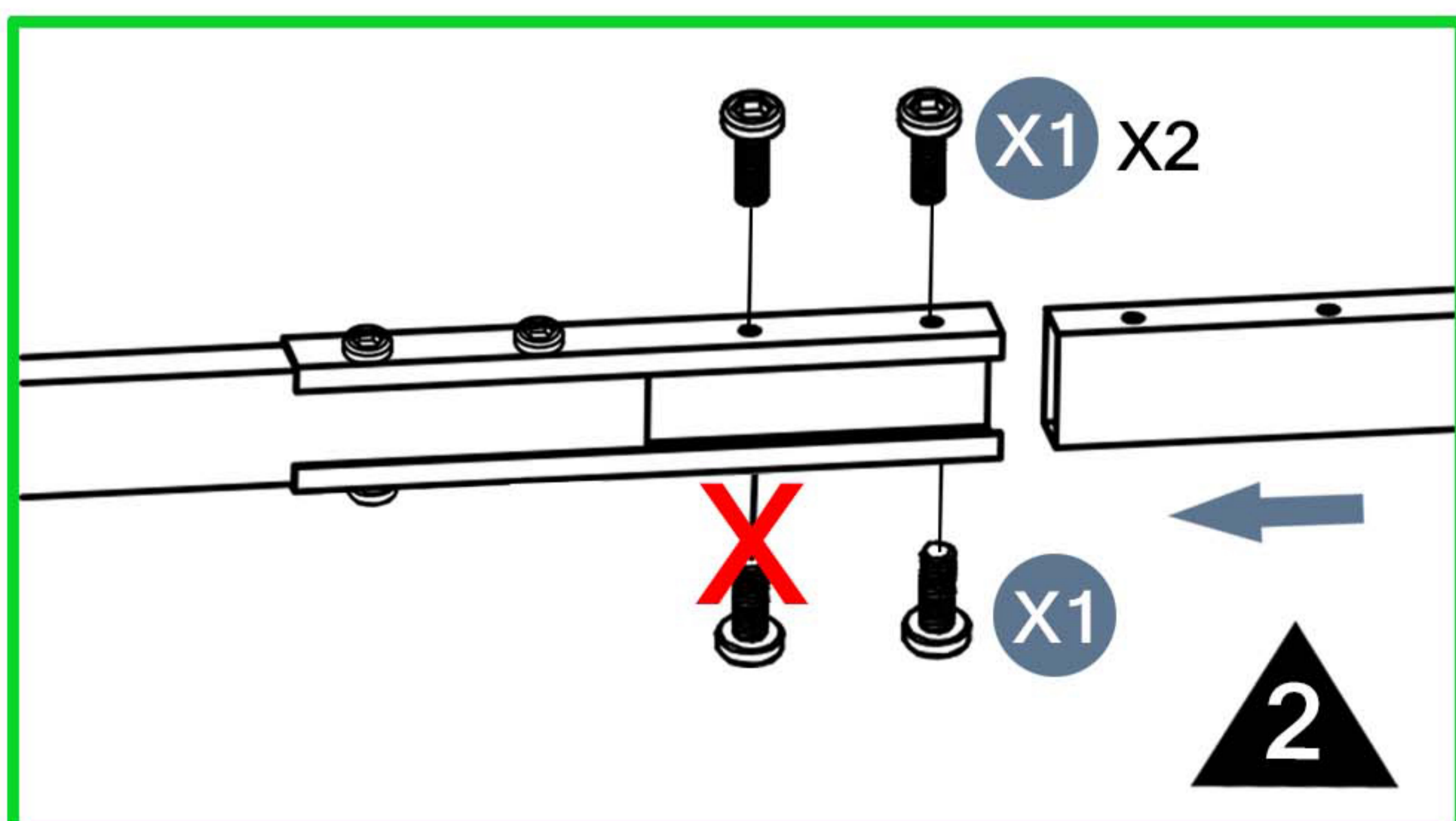
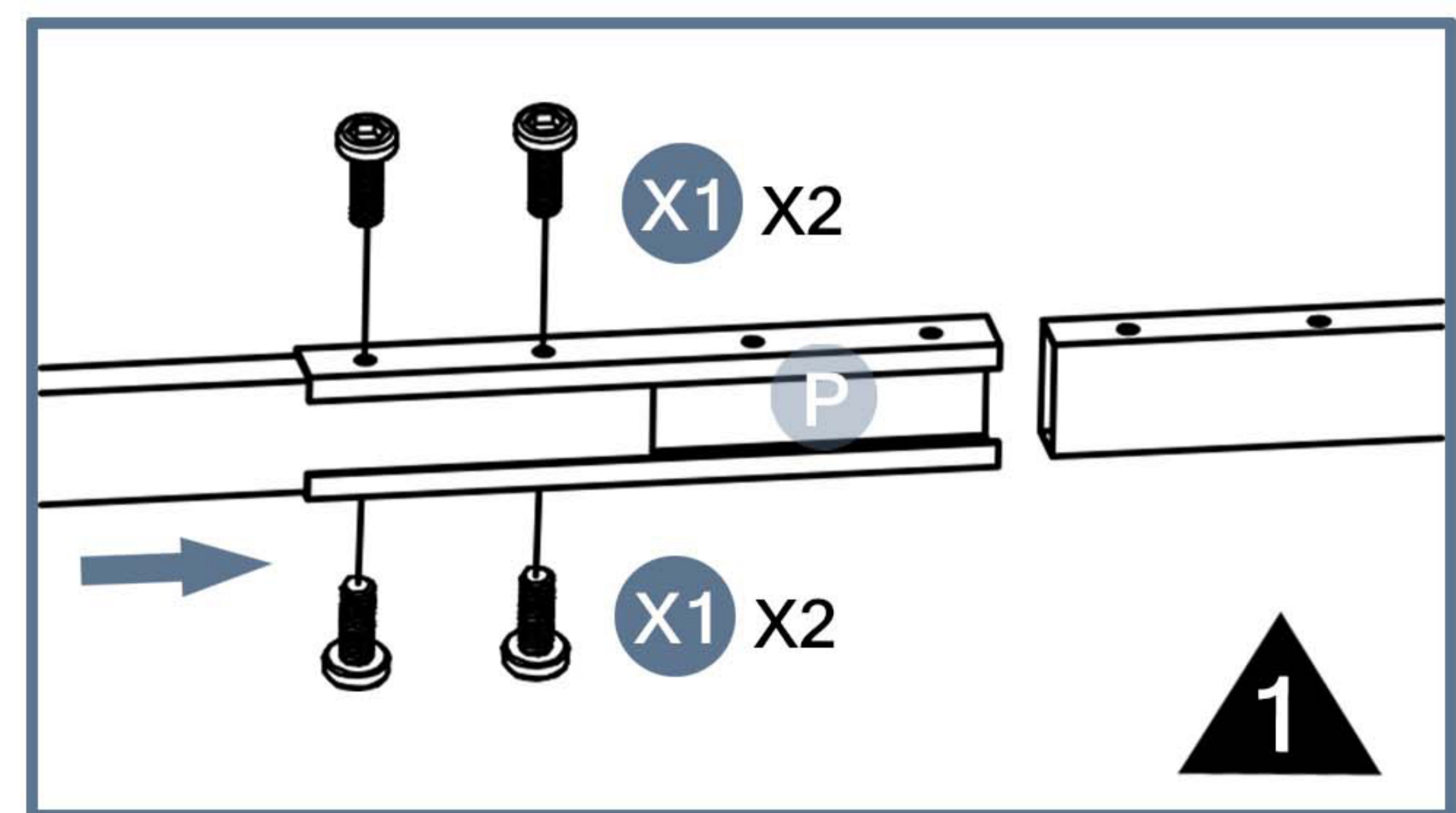
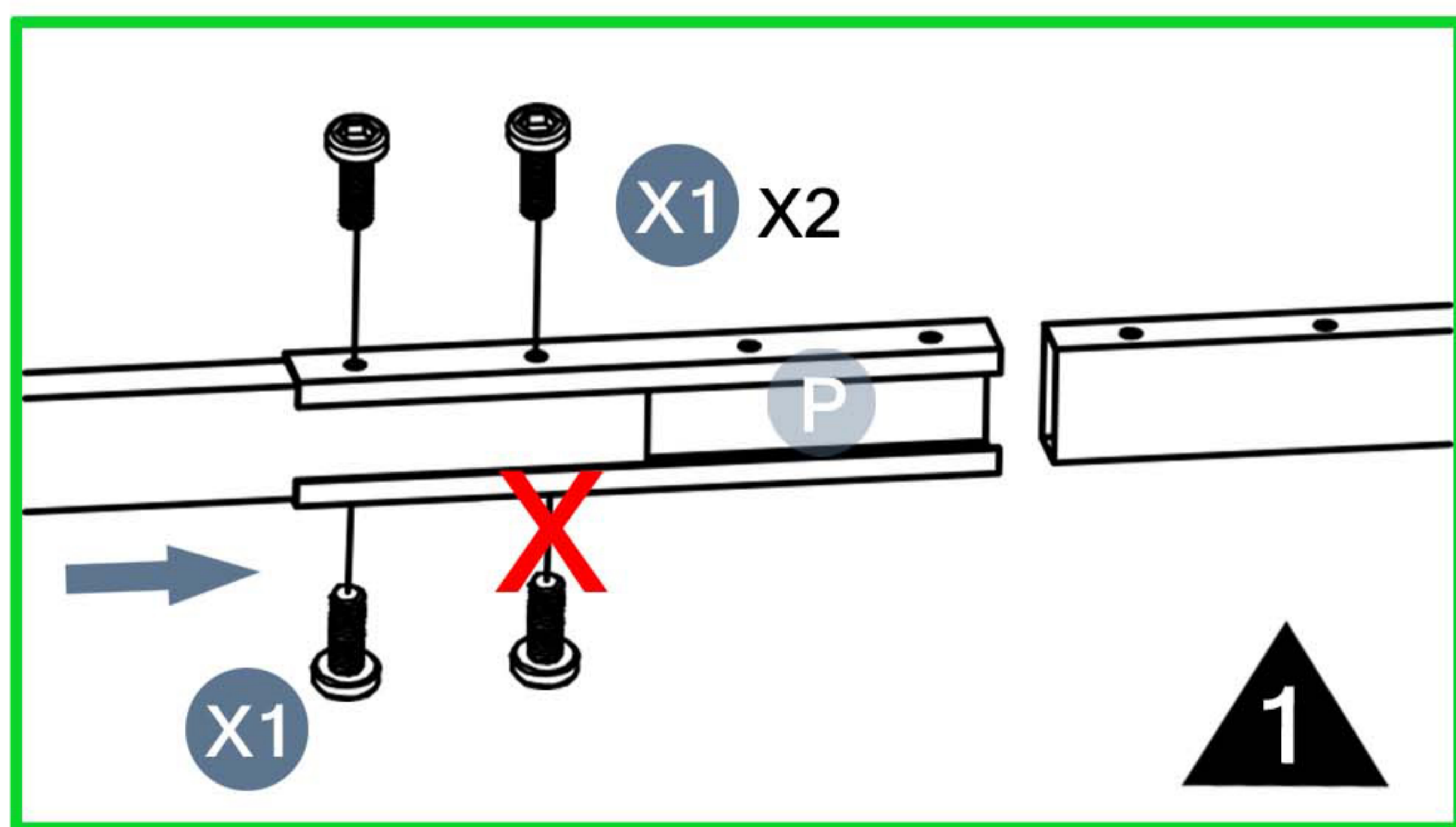
B2 1pcs

Please note the orientation of the hole.

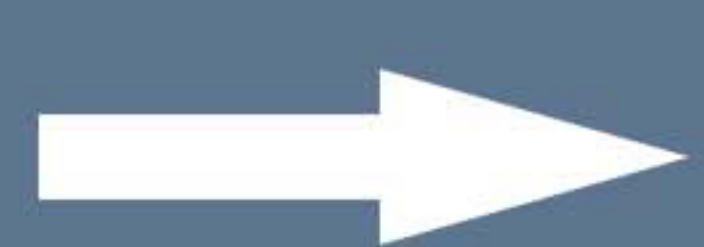


Pay attention to the direction of P and pipe.

Don't install the screws first, and wait for step 14 to install them.



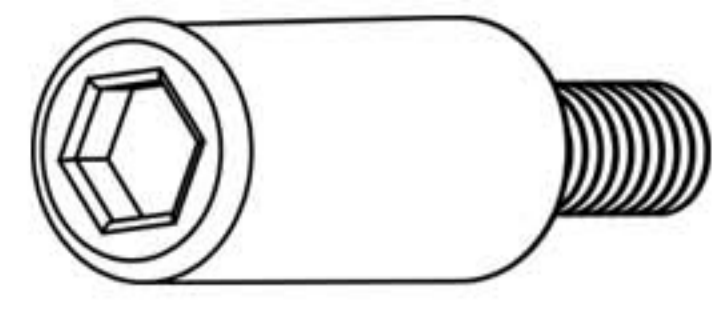
Please take care of the screws and contact the after-sales service if there is any problem with the installation or parts.



E-mail: cs.helper01@gmail.com

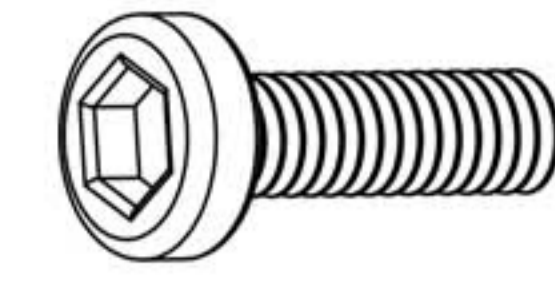
STEP 4

Parts required



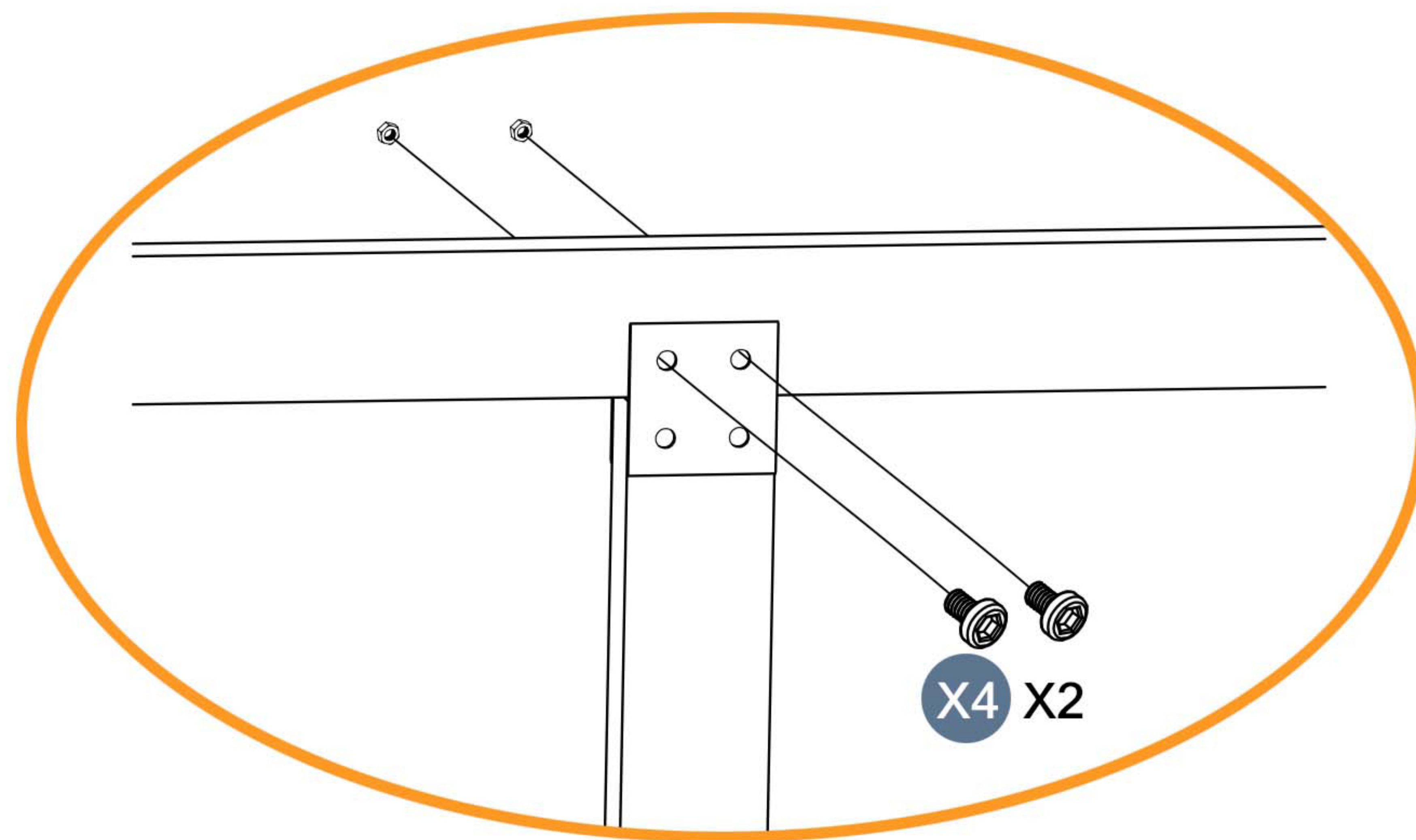
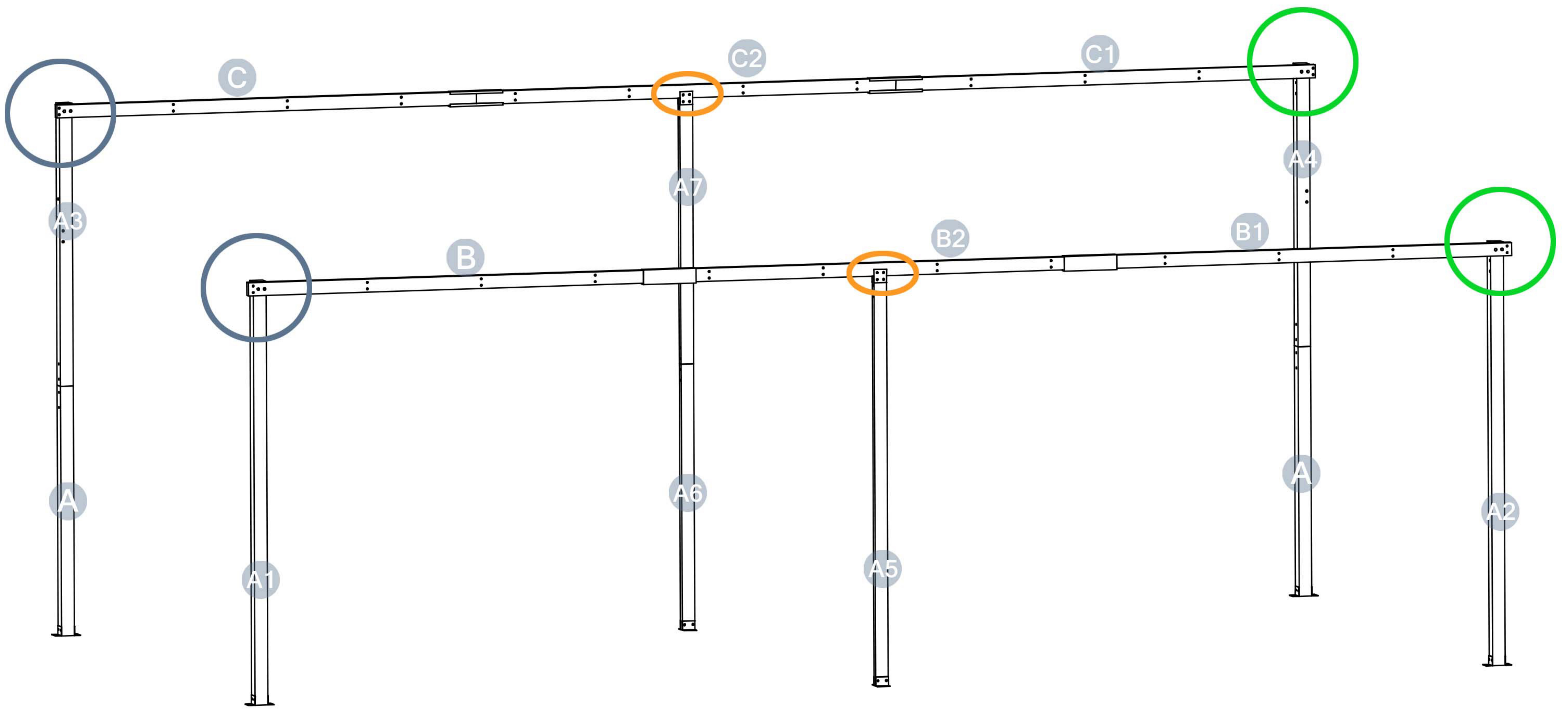
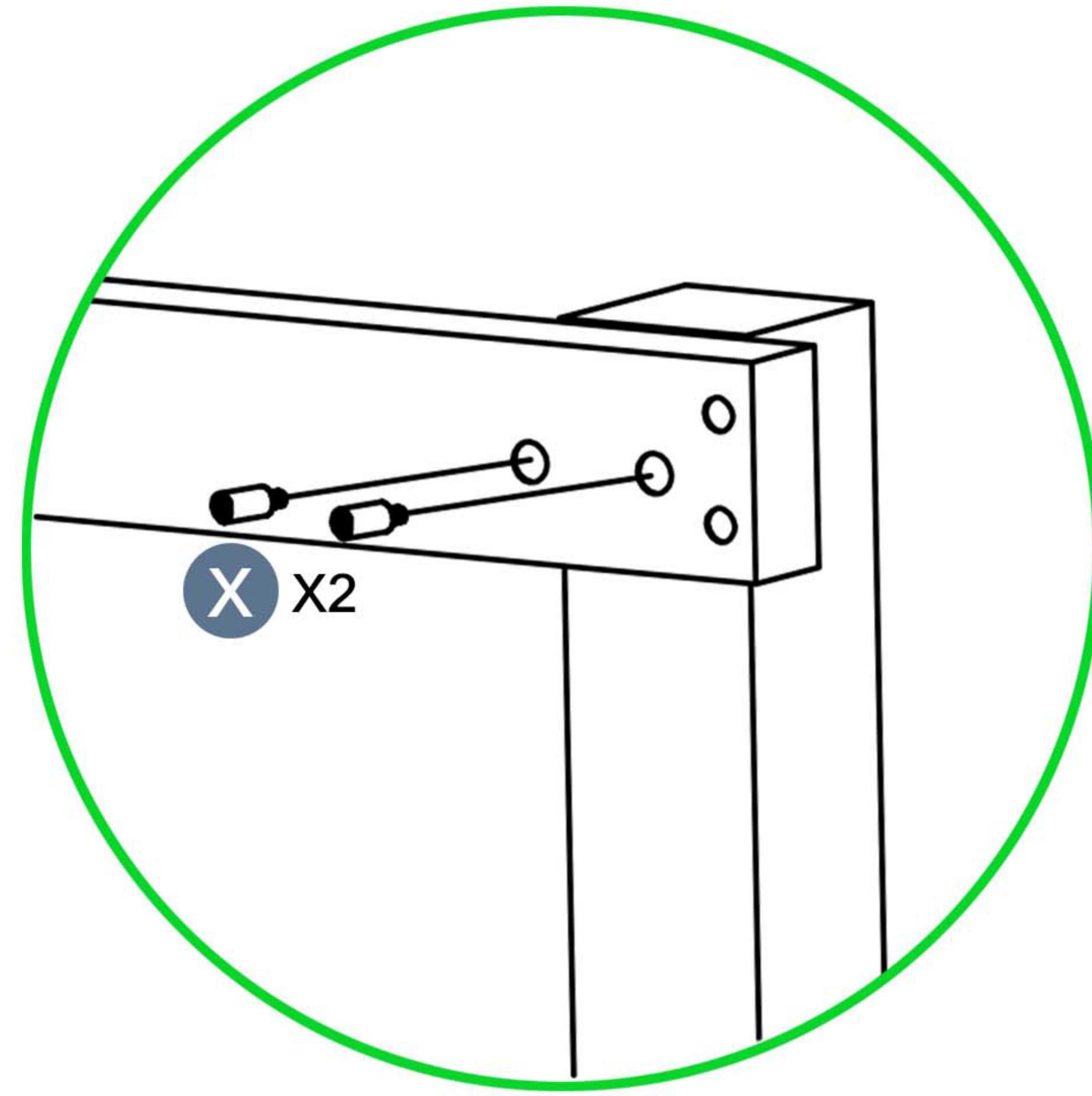
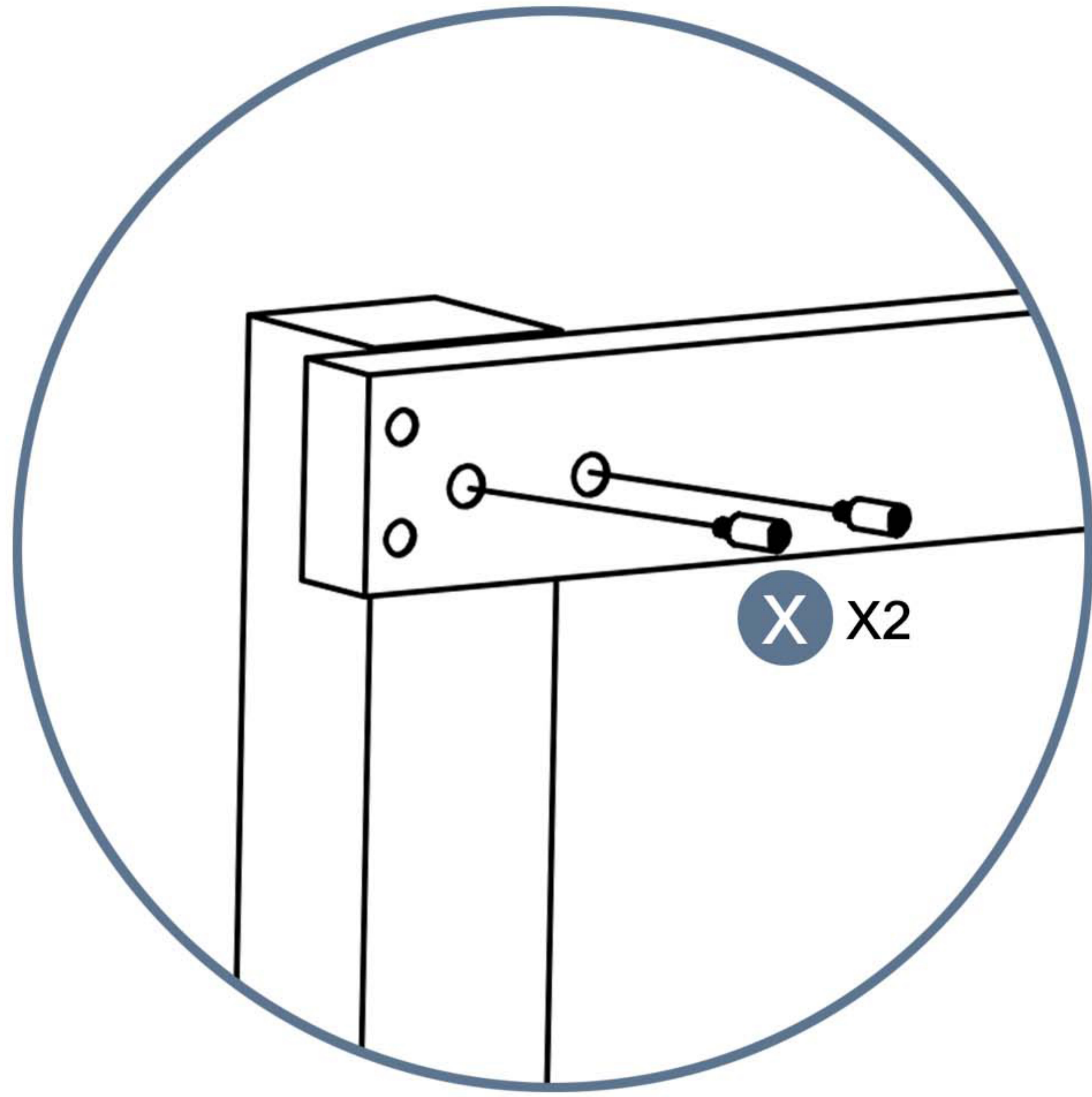
X

8pcs

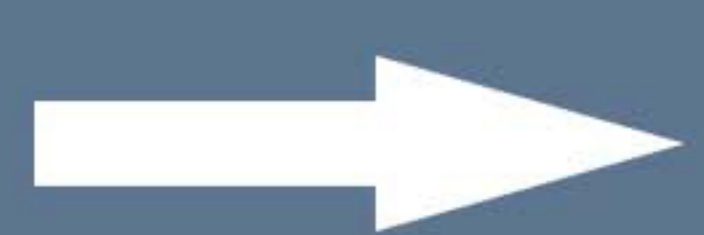


X4

4pcs



Please take care of the screws and contact the after-sales service if there is any problem with the installation or parts.



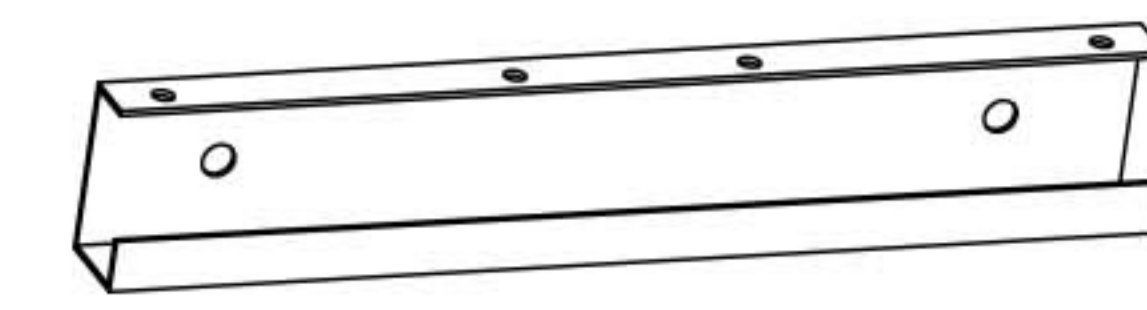
E-mail: cs.helper01@gmail.com

STEP 5

Parts required



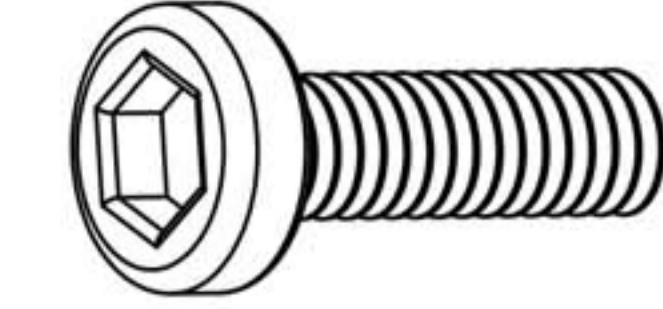
D 2pcs




M7 2pcs

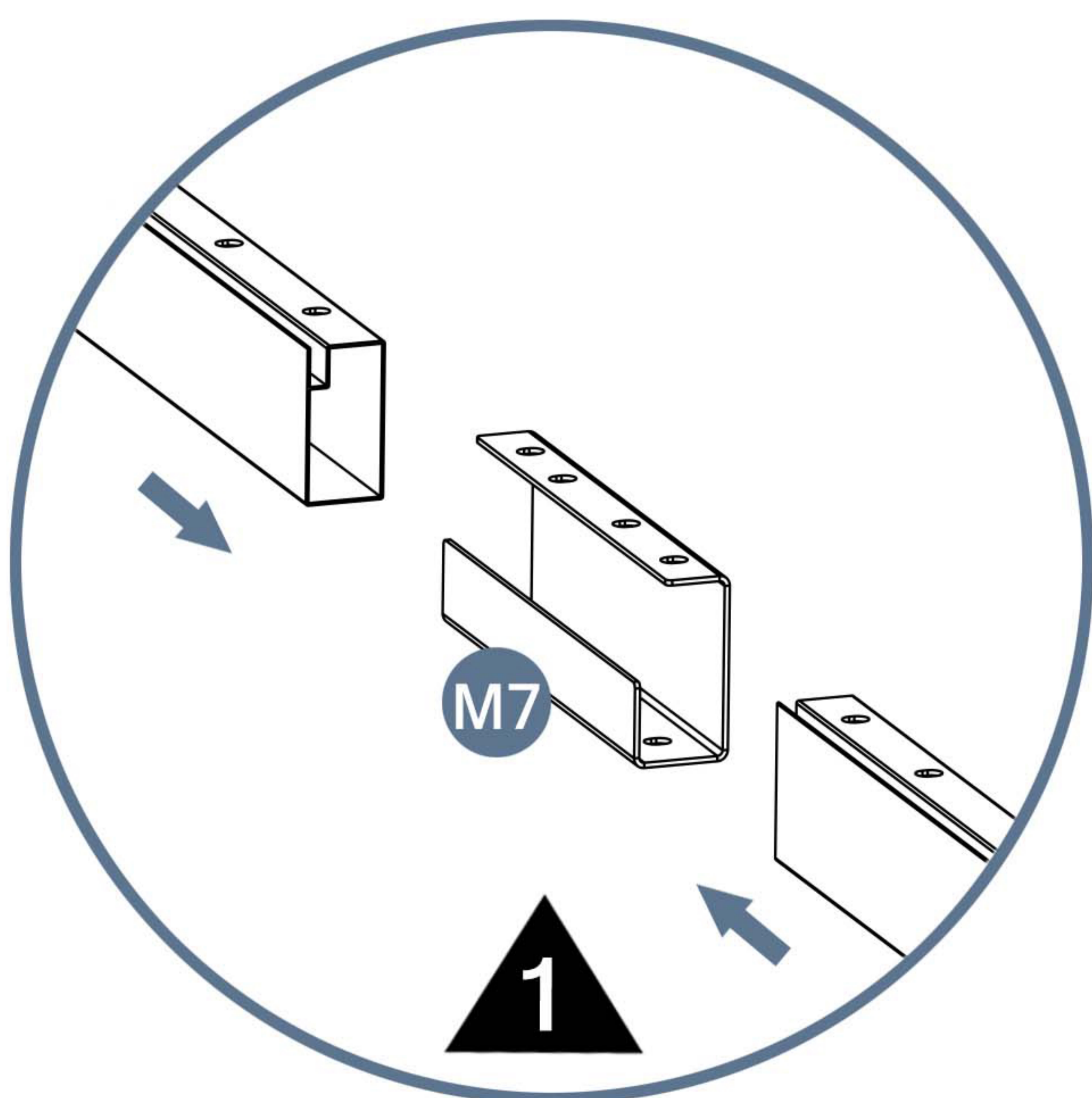
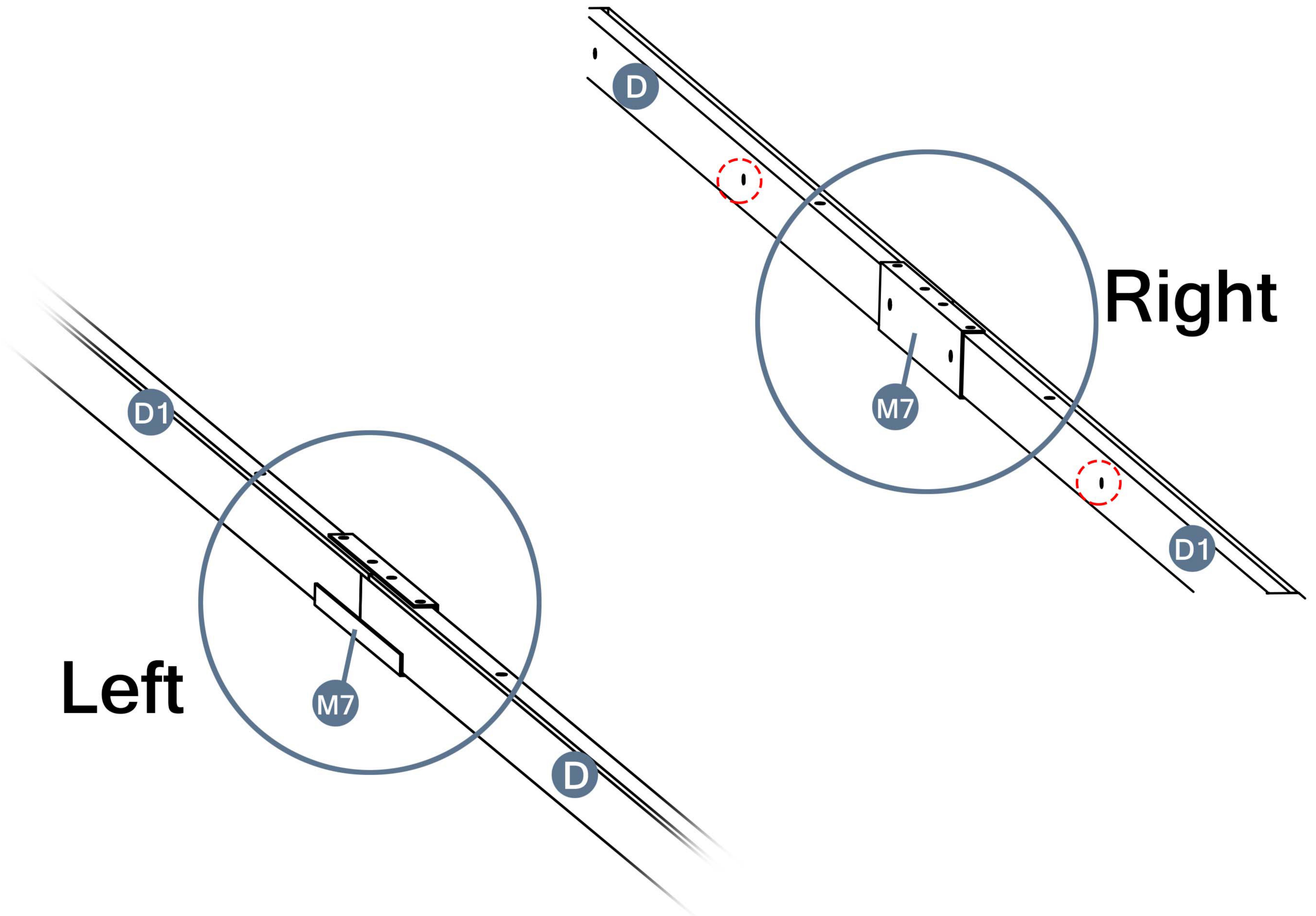


D1 2pcs

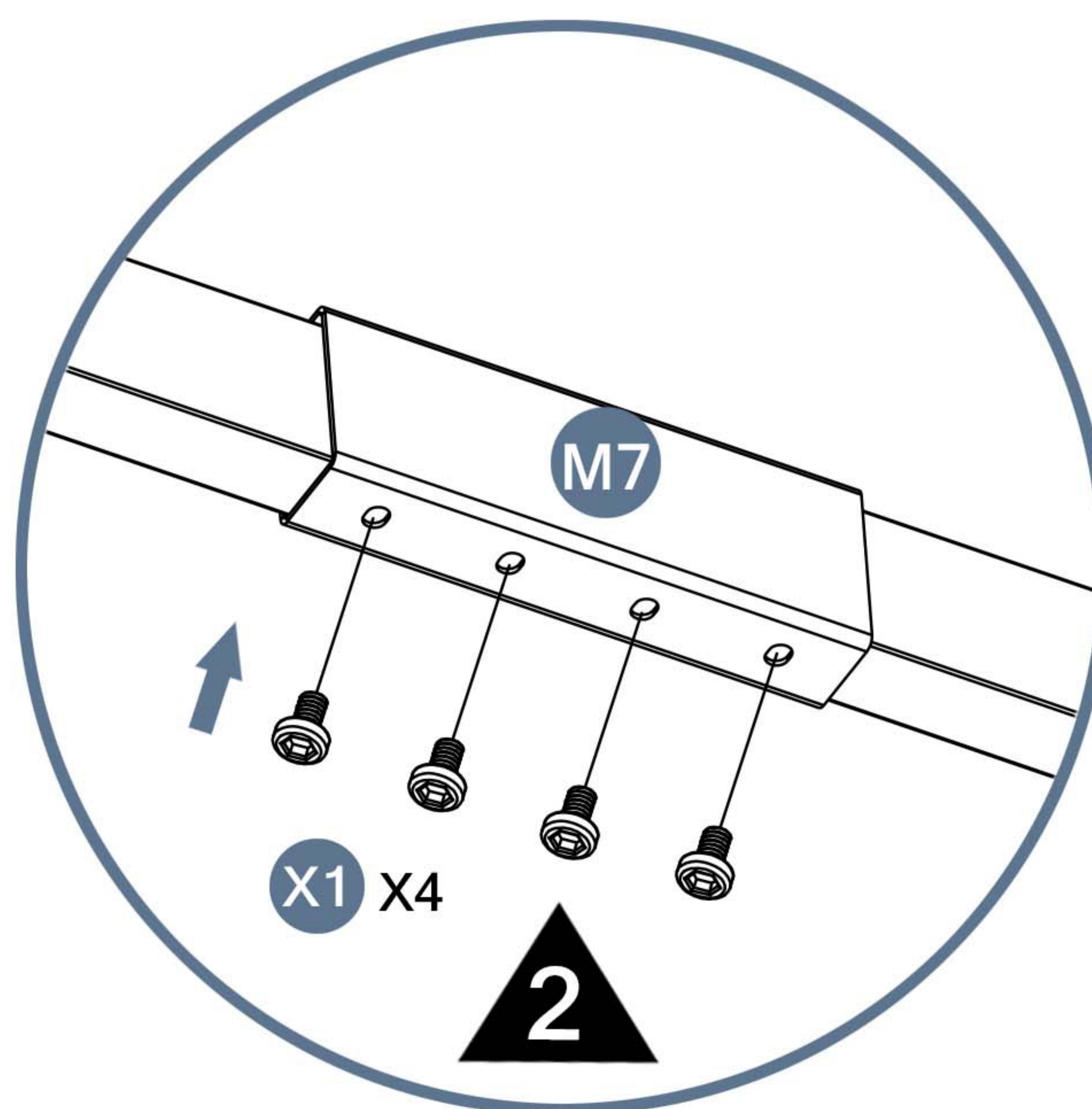


X1 16pcs

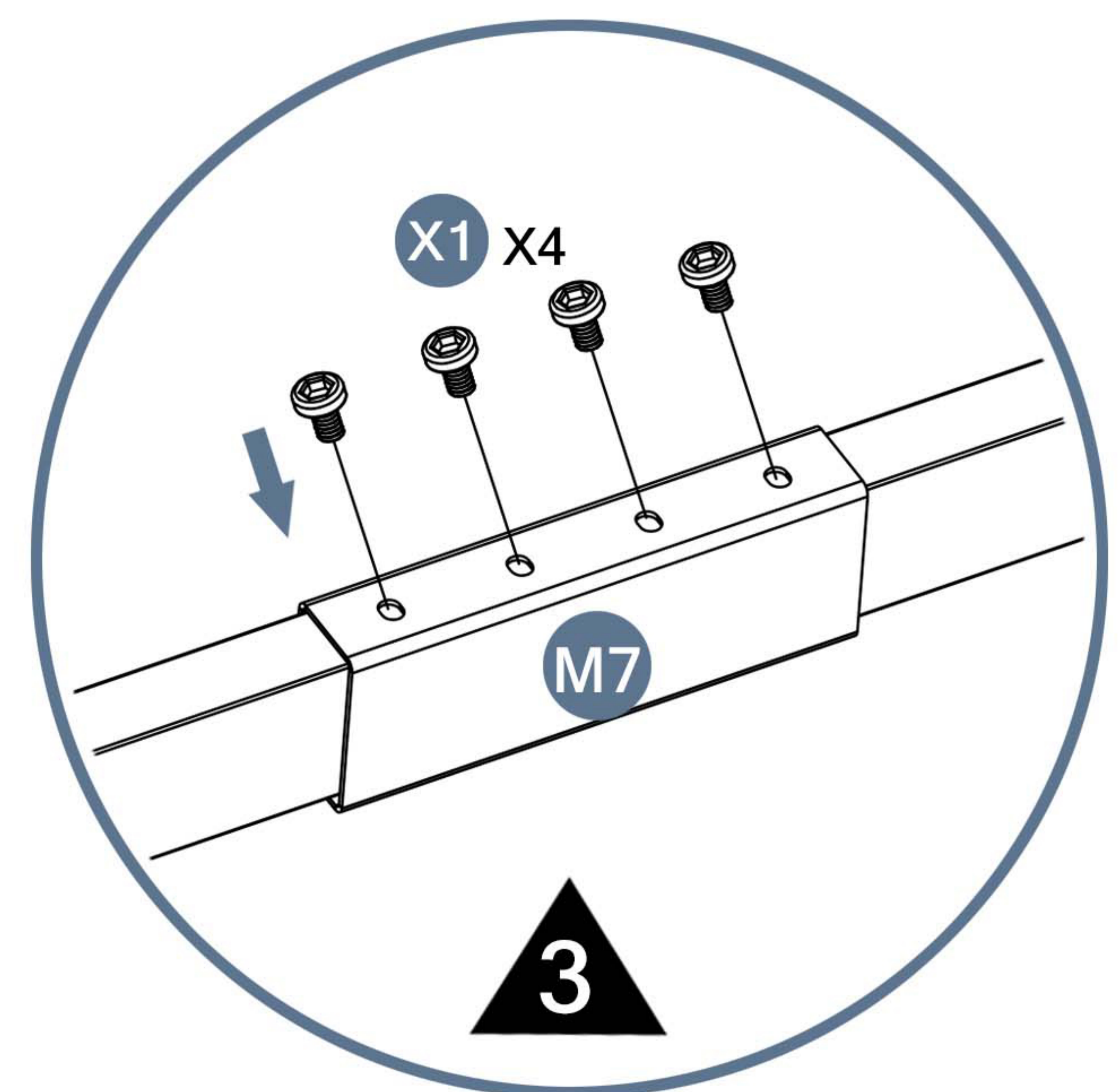
 Please note the orientation of the hole.



M7 Open your mouth to the outside



From the bottom up



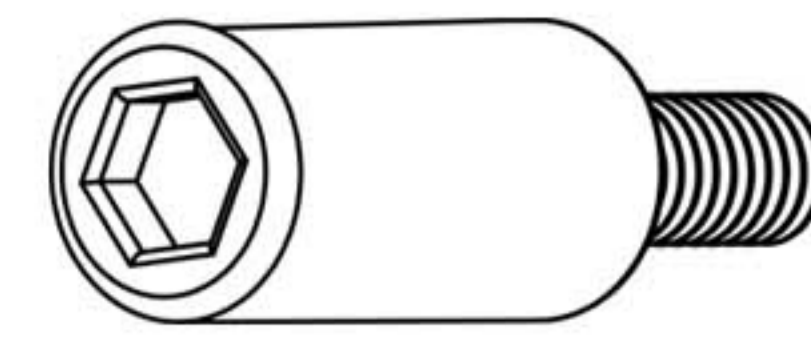
From top to bottom

Please take care of the screws and contact the after-sales service if there is any problem with the installation or parts.

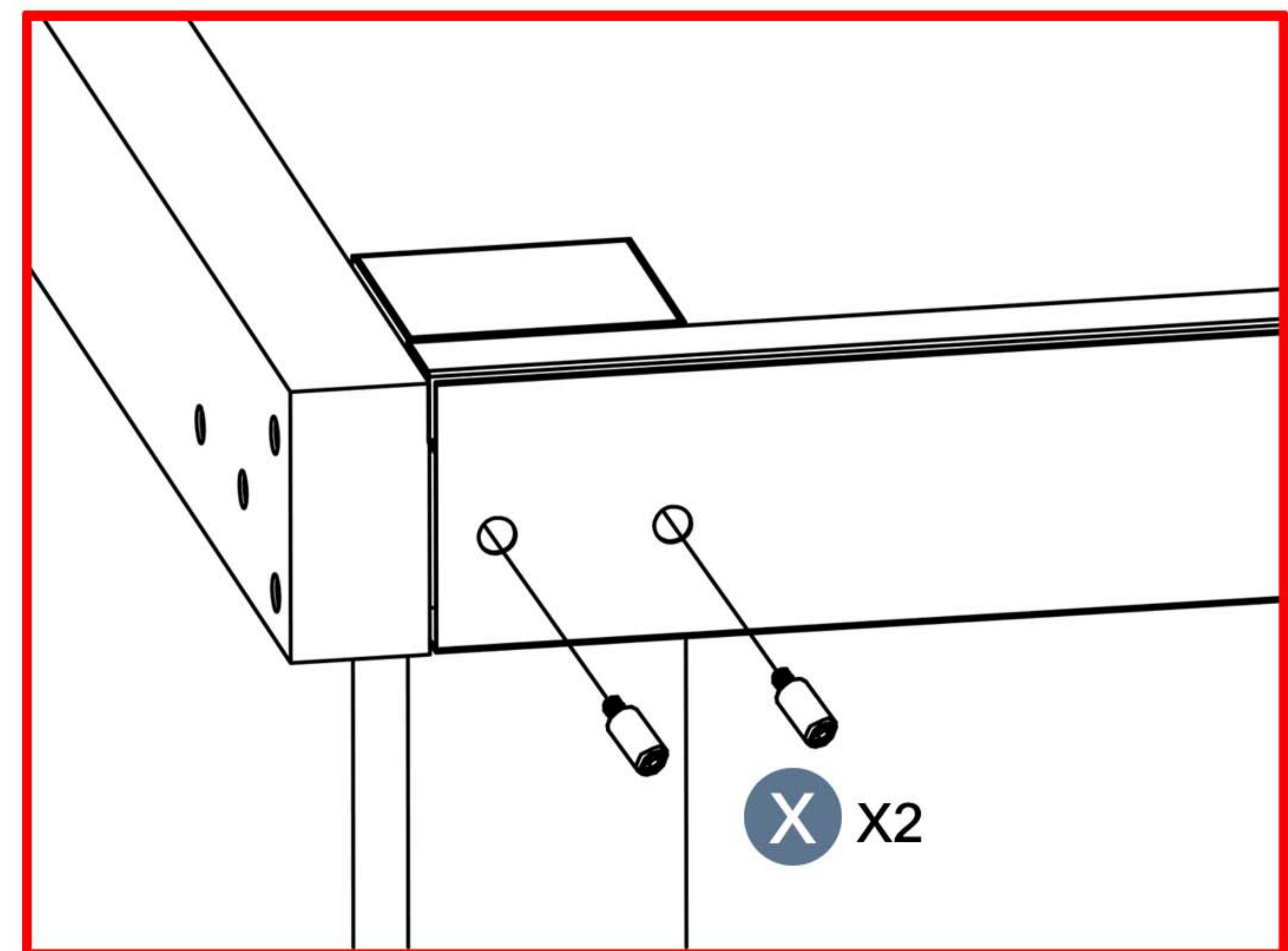
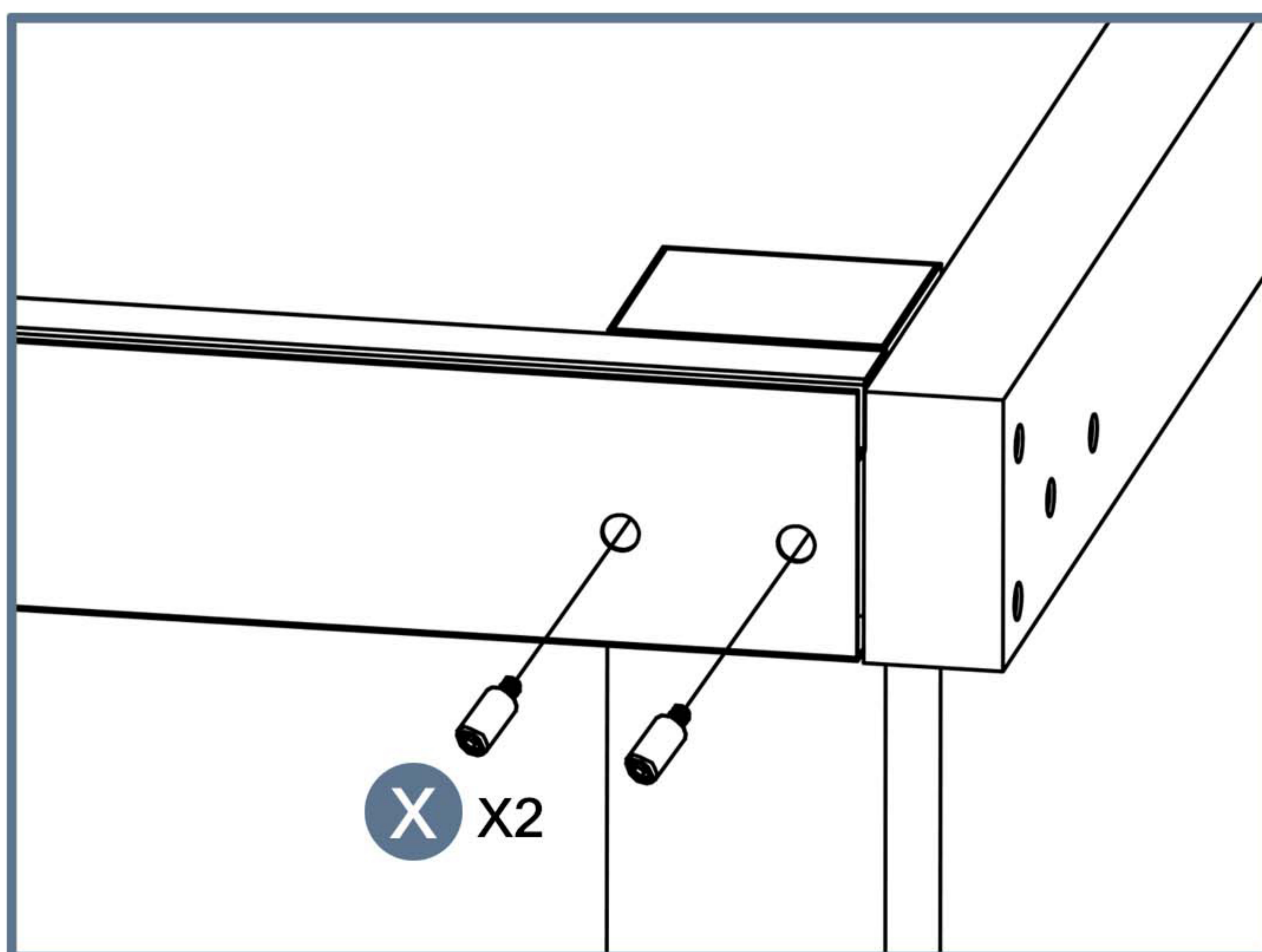
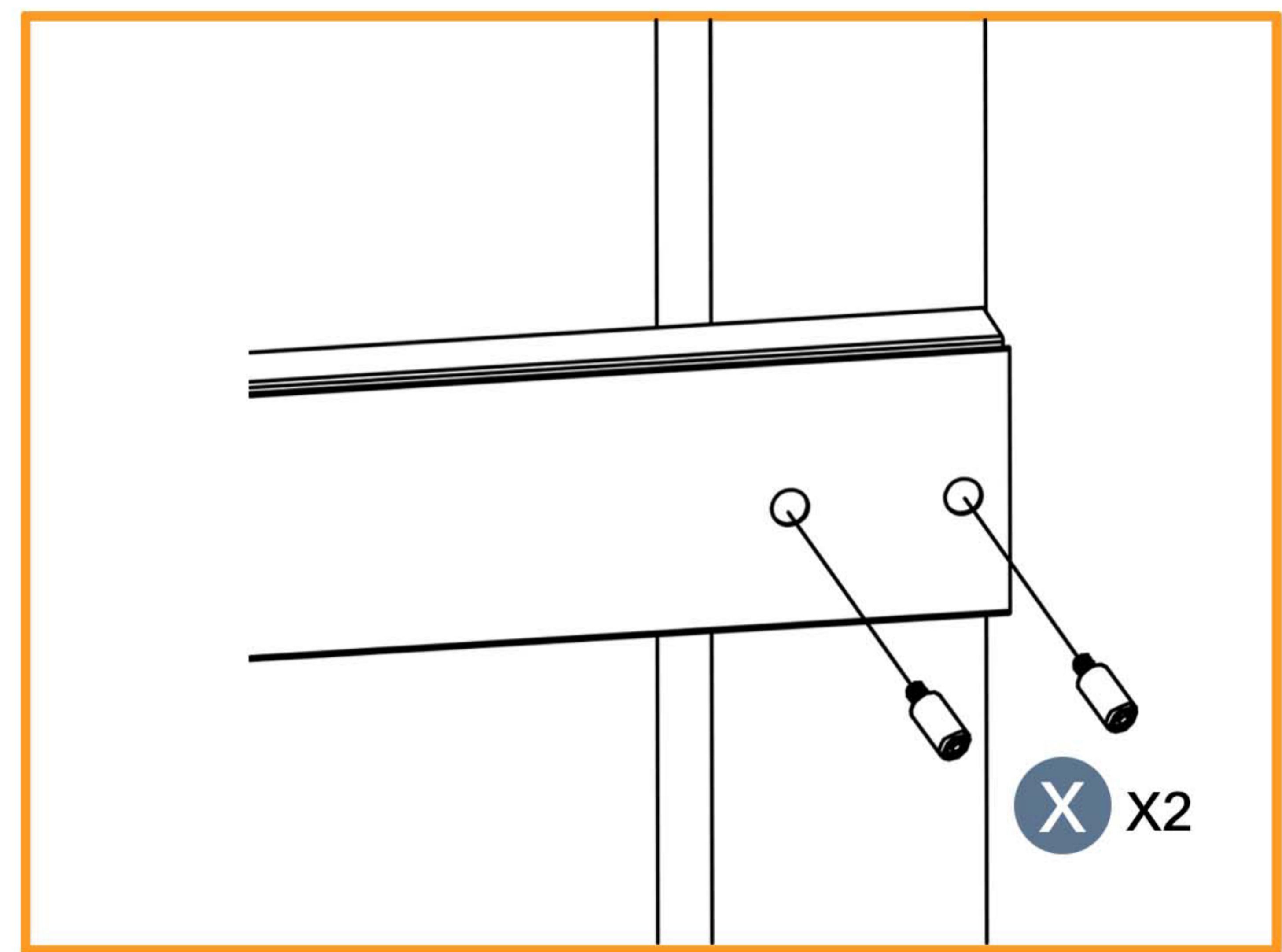
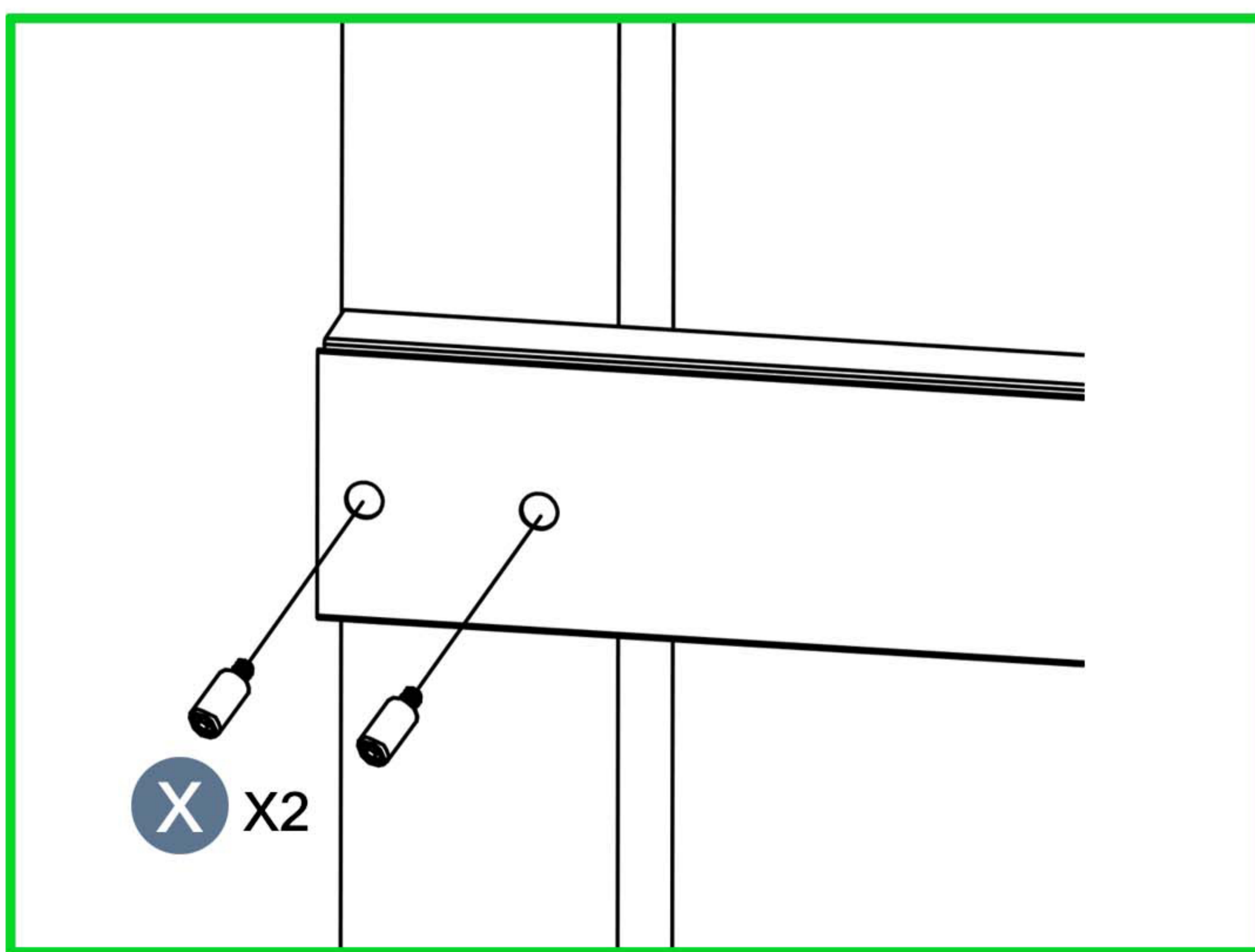
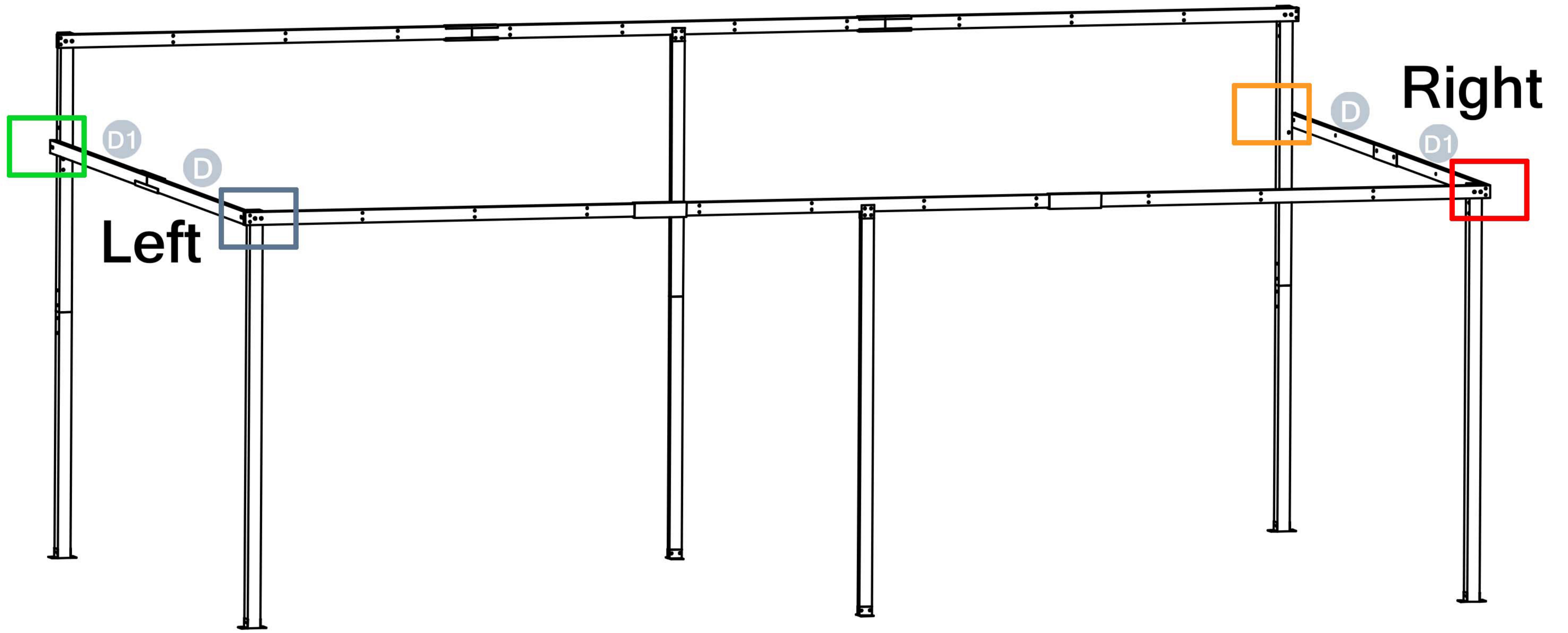
  E-mail: cs.helper01@gmail.com

STEP 6

Parts required



X 8pcs

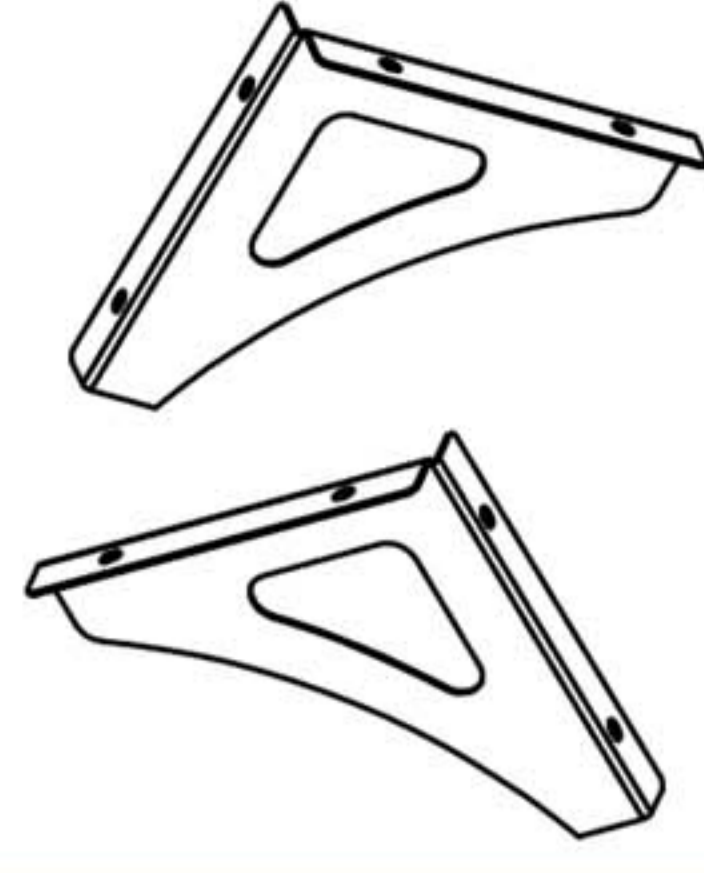


Please take care of the screws and contact the after-sales service if there is any problem with the installation or parts.

➔ ✉ E-mail: cs.helper01@gmail.com

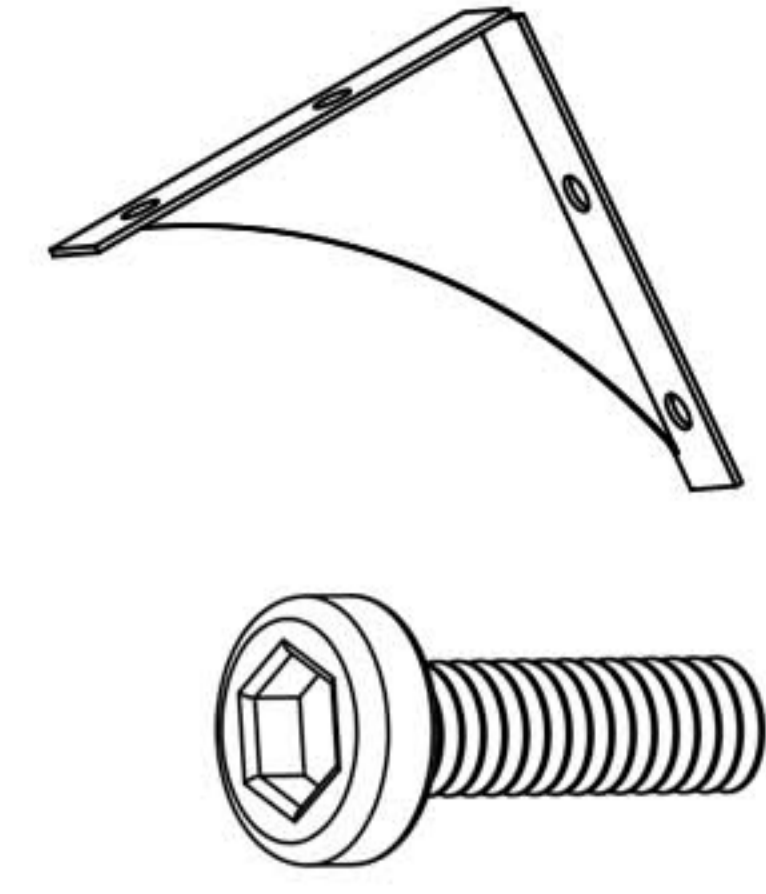
STEP 7

Parts required



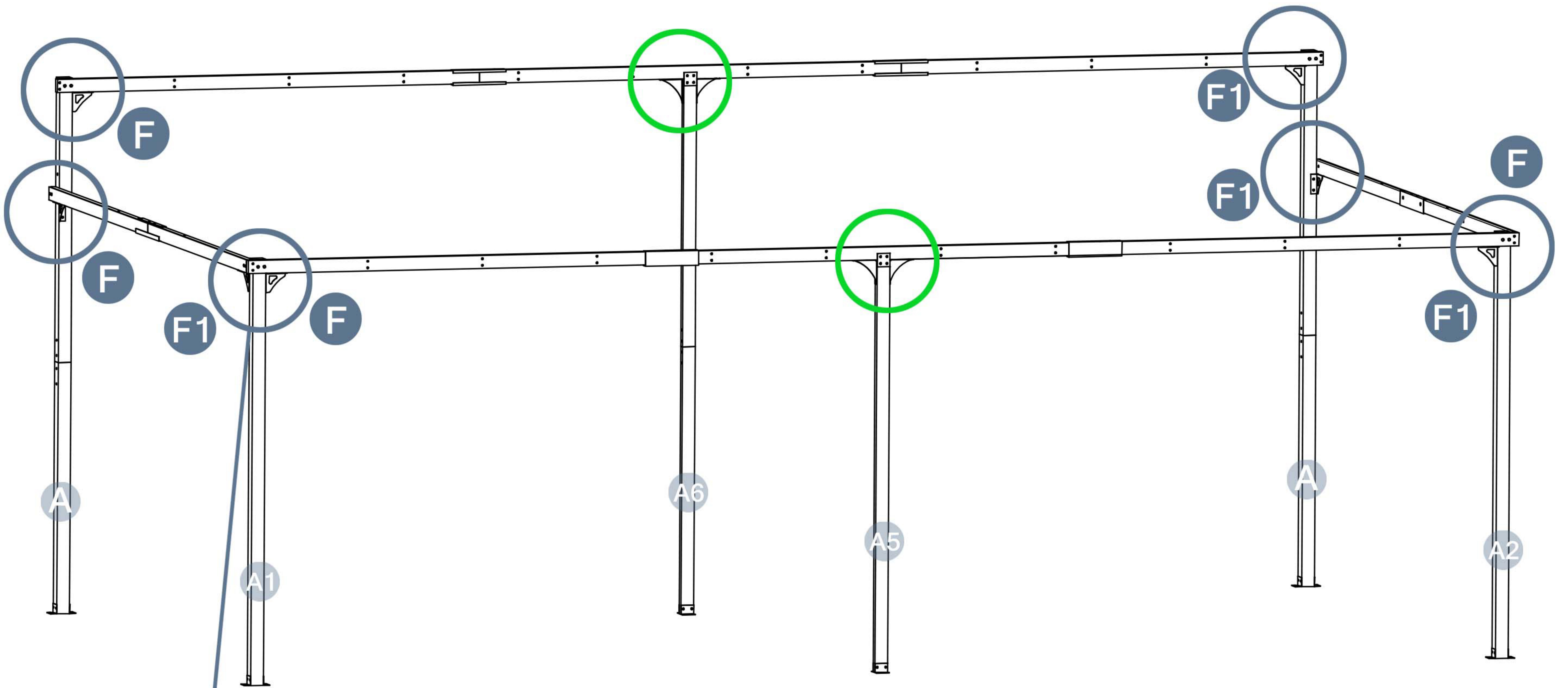
F 4pcs

F1 4pcs

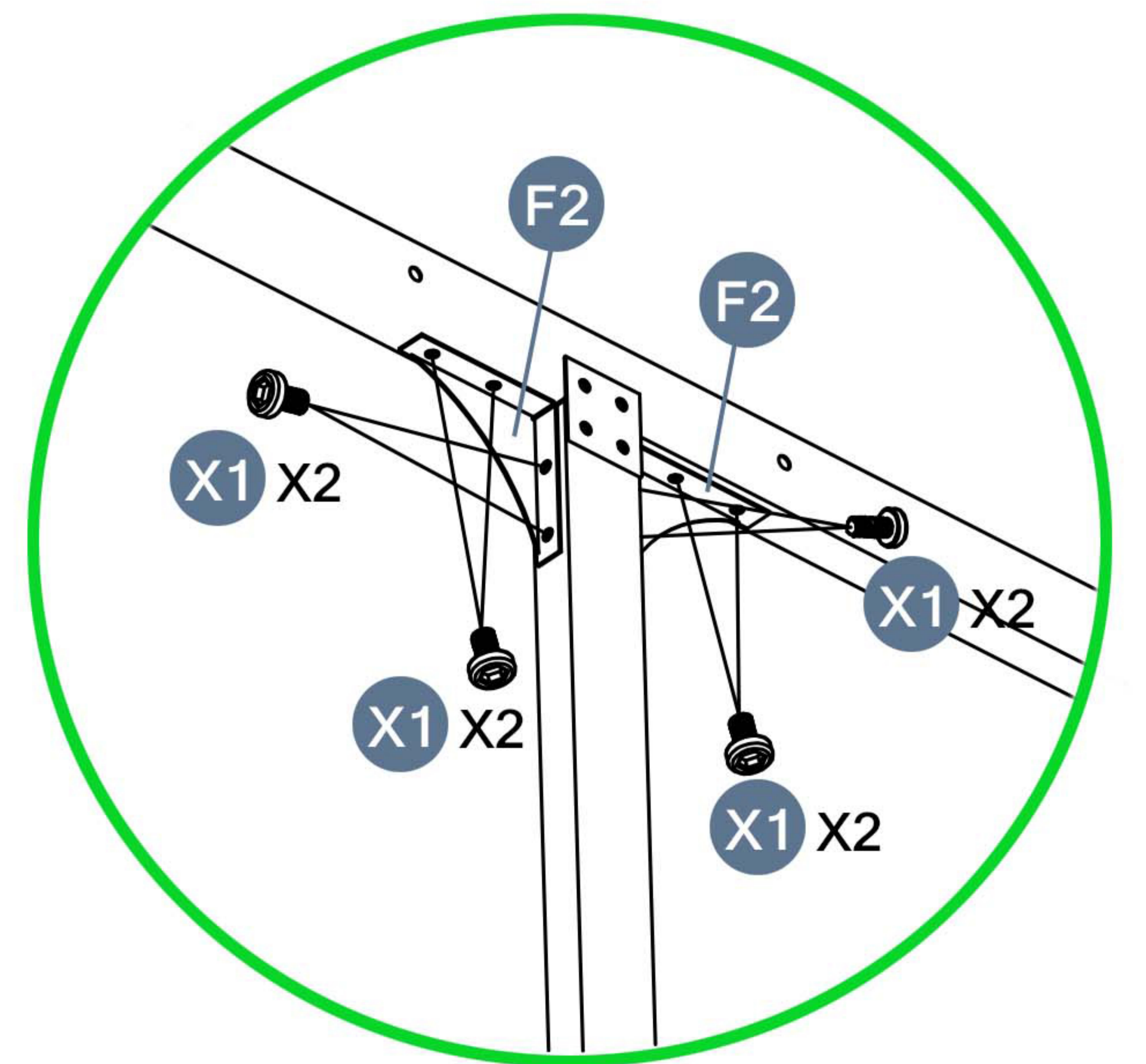
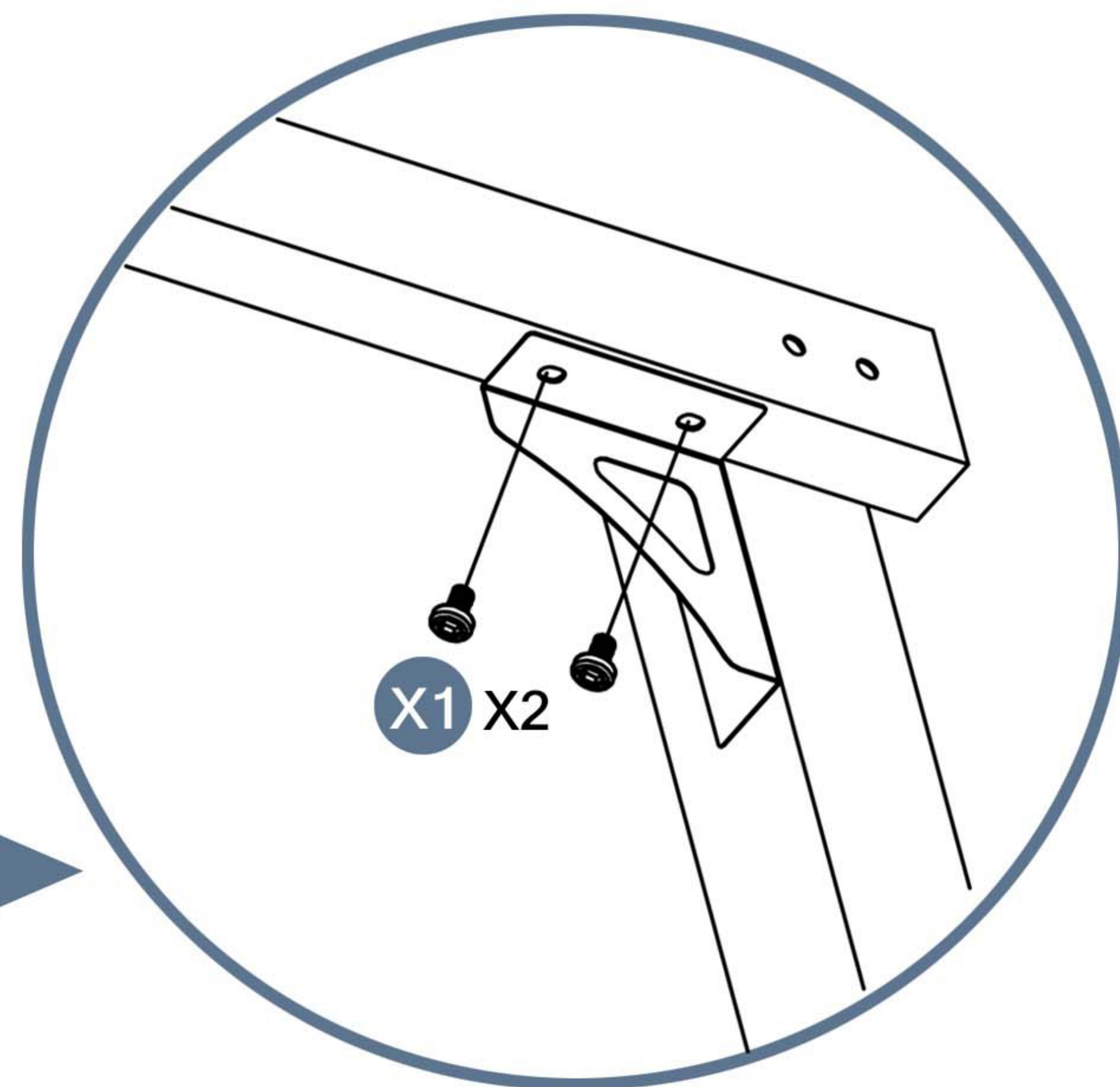
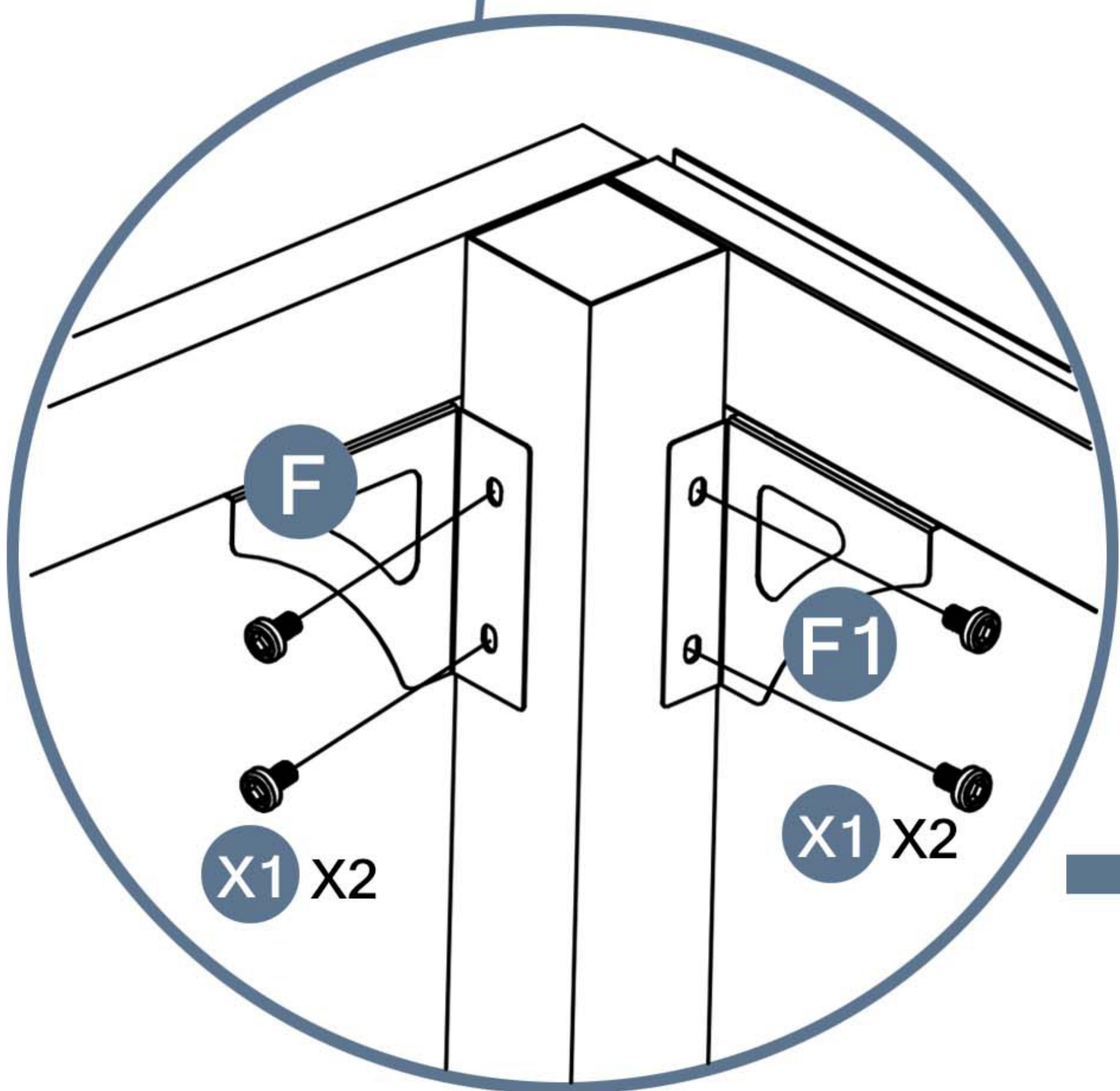


F2 4pcs

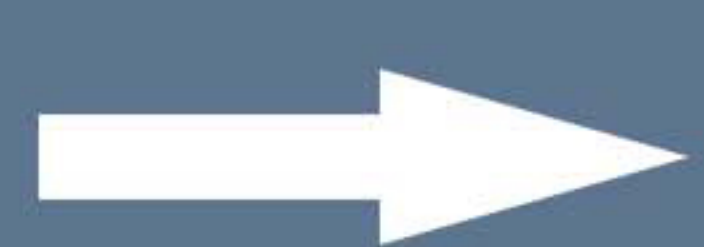
X1 48pcs



⚠ Pay attention to the direction of F and F1



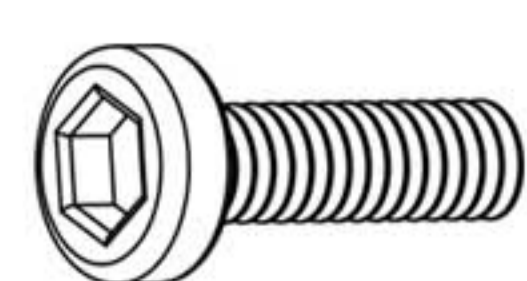
Please take care of the screws and contact the after-sales service if there is any problem with the installation or parts.



E-mail: cs.helper01@gmail.com

STEP 8

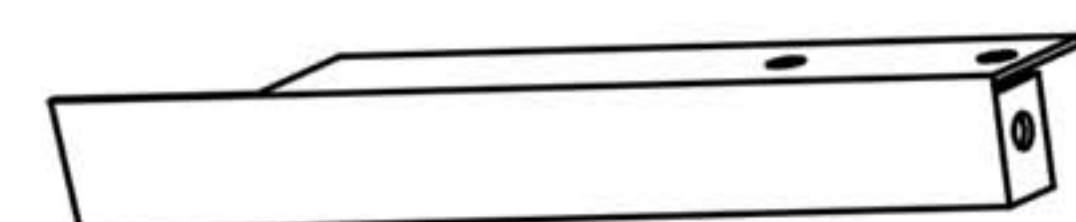
Parts required



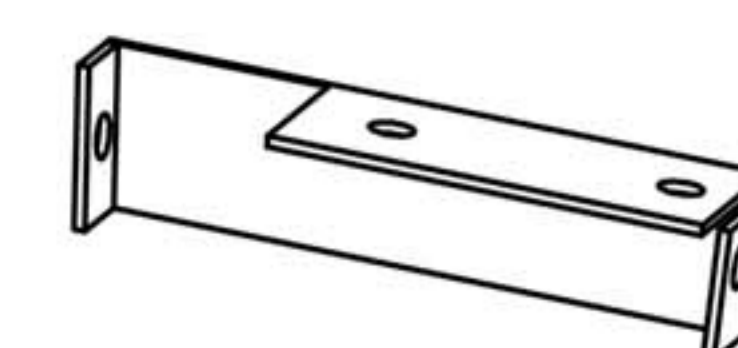
X1 4pcs



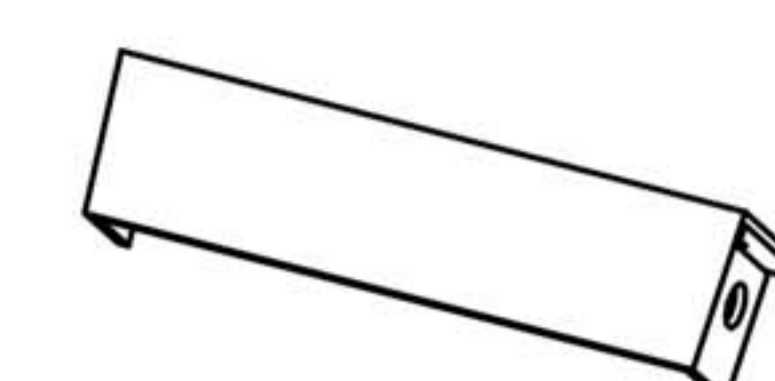
R1 1pcs



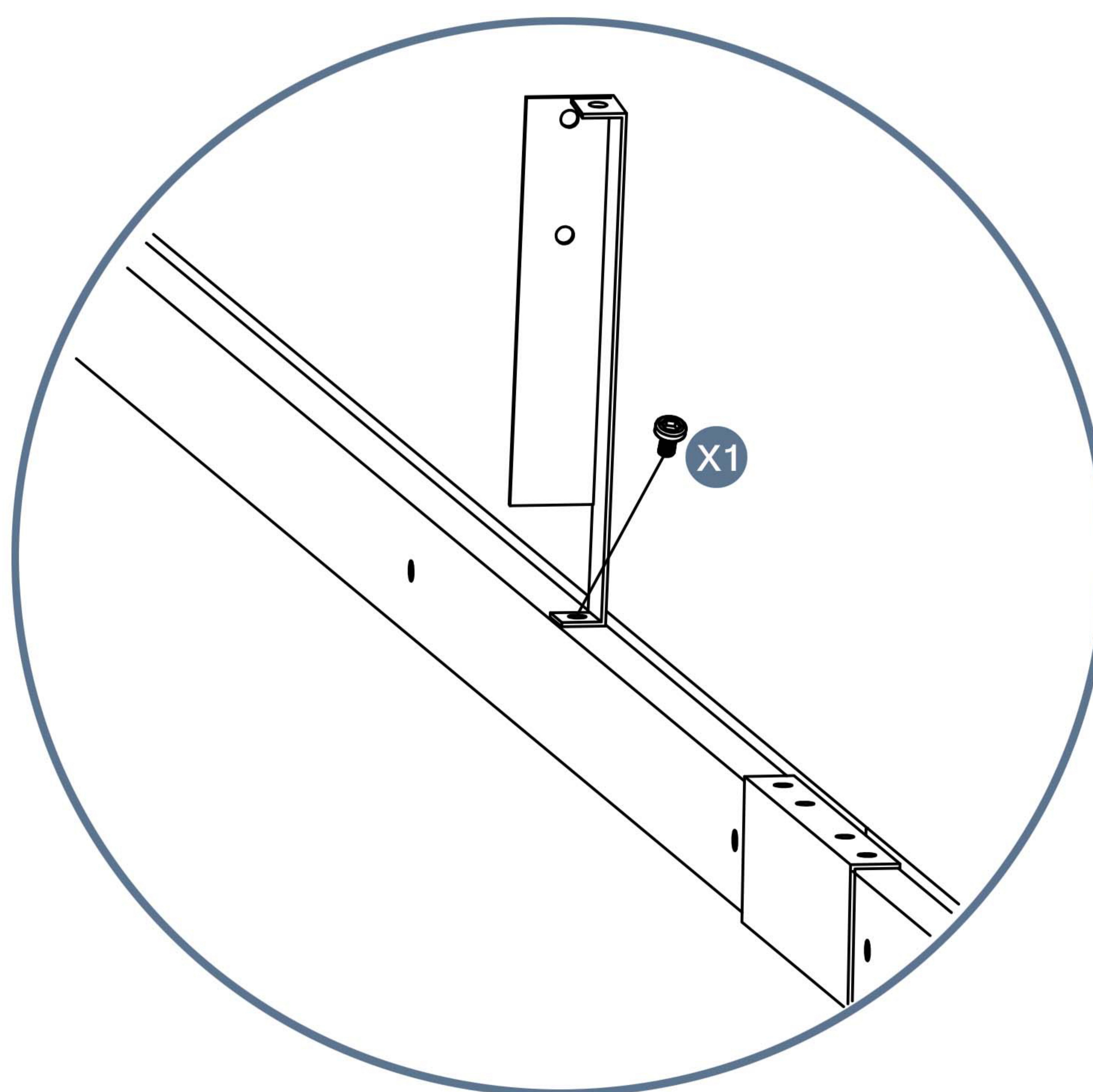
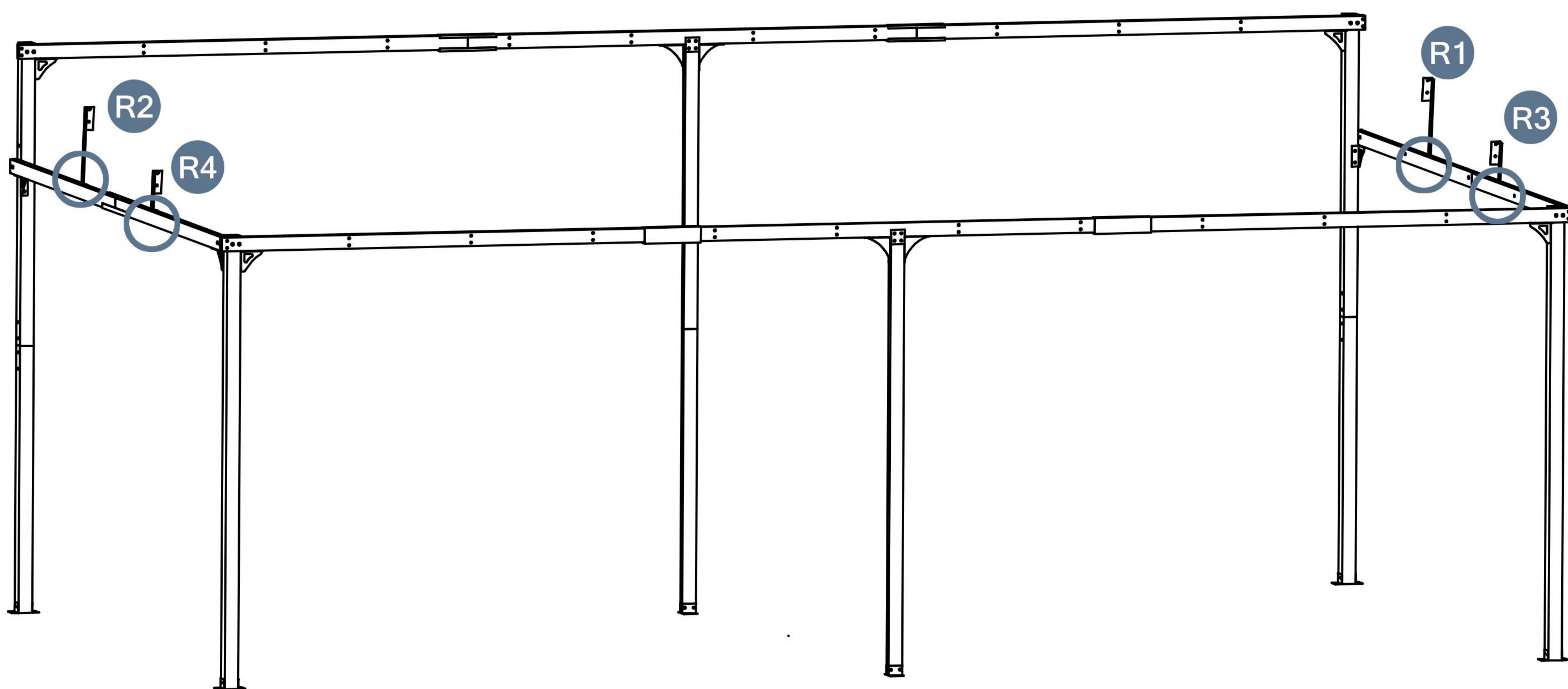
R2 1pcs



R3 1pcs



R4 1pcs



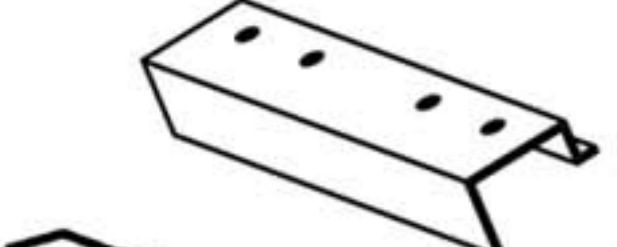
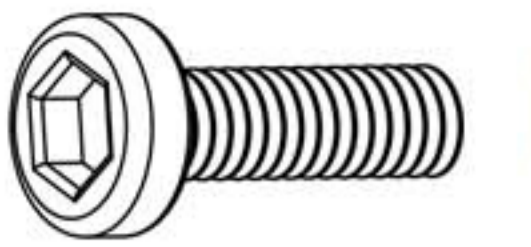


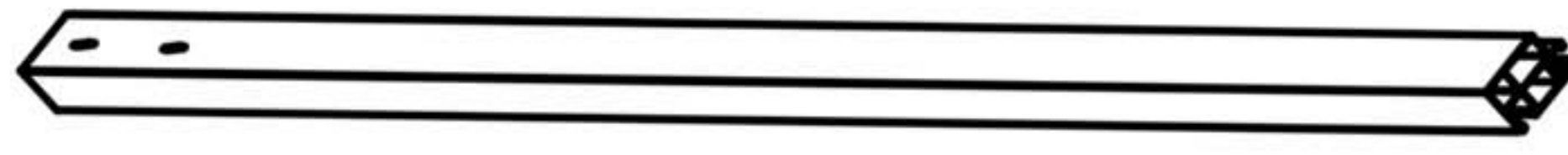

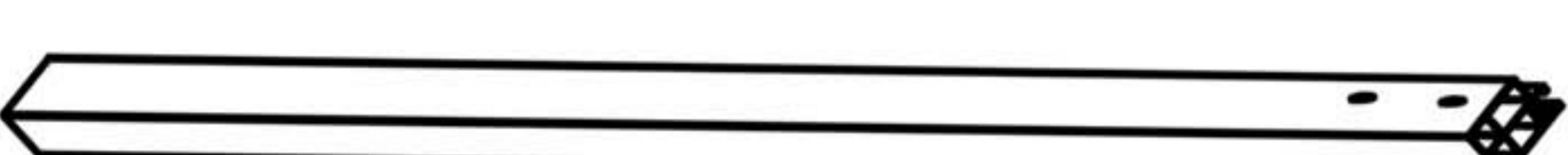
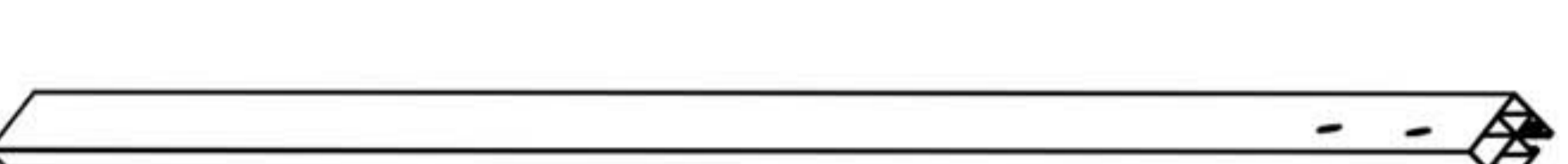
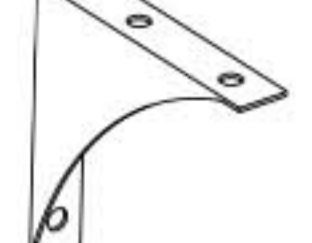
Please take care of the screws and contact the after-sales service if there is any problem with the installation or parts.



E-mail: cs.helper01@gmail.com

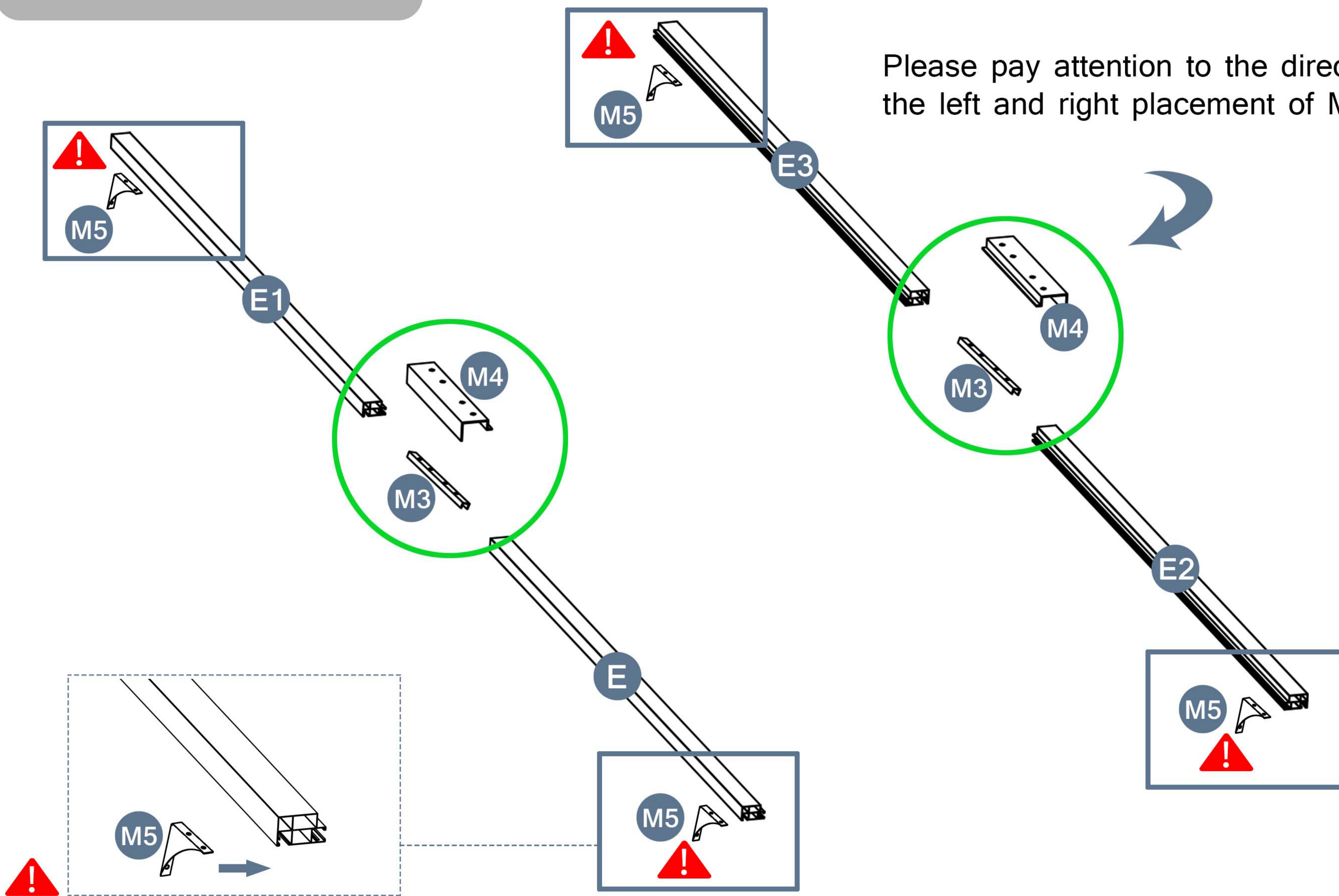
STEP 9

Parts required

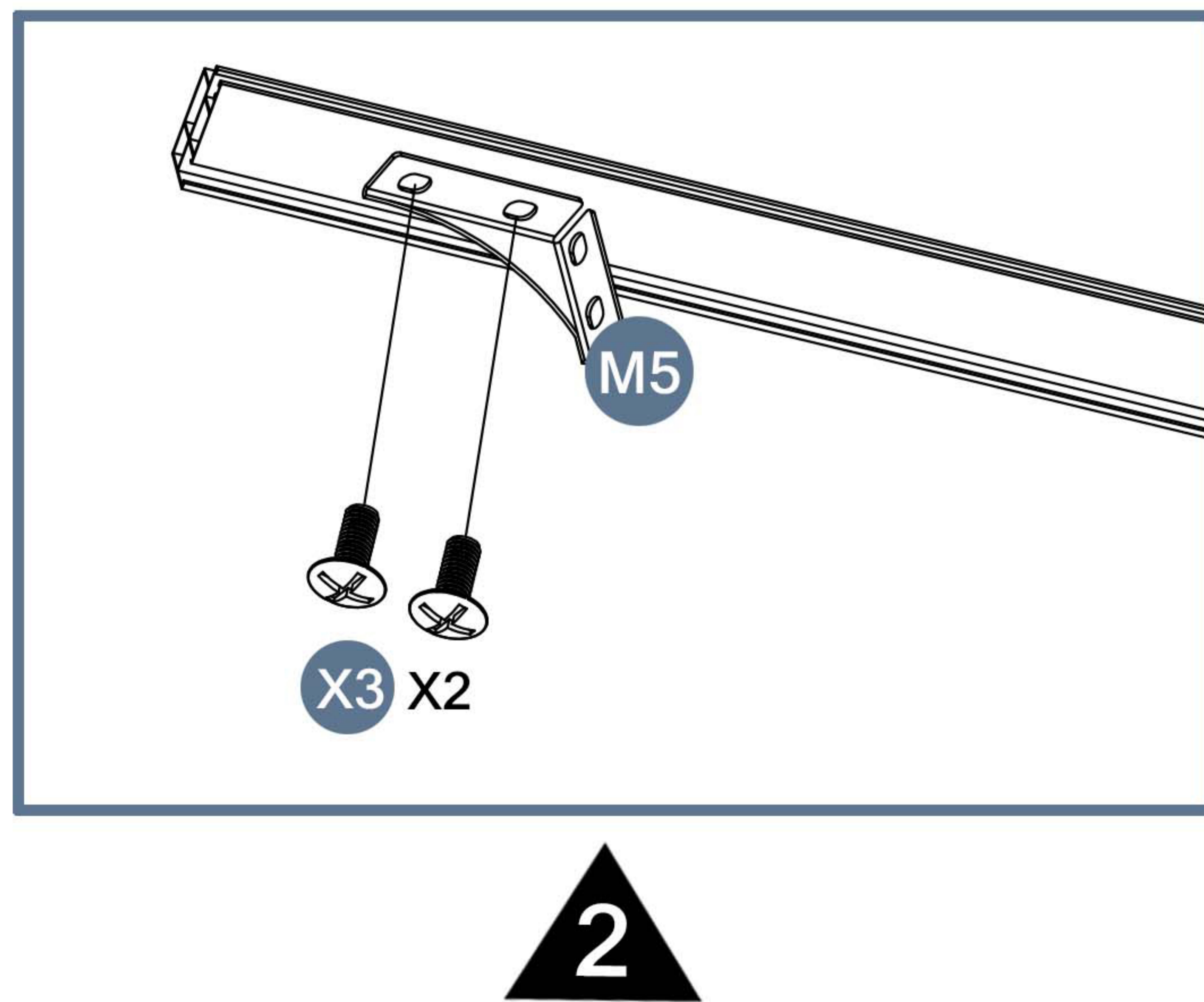
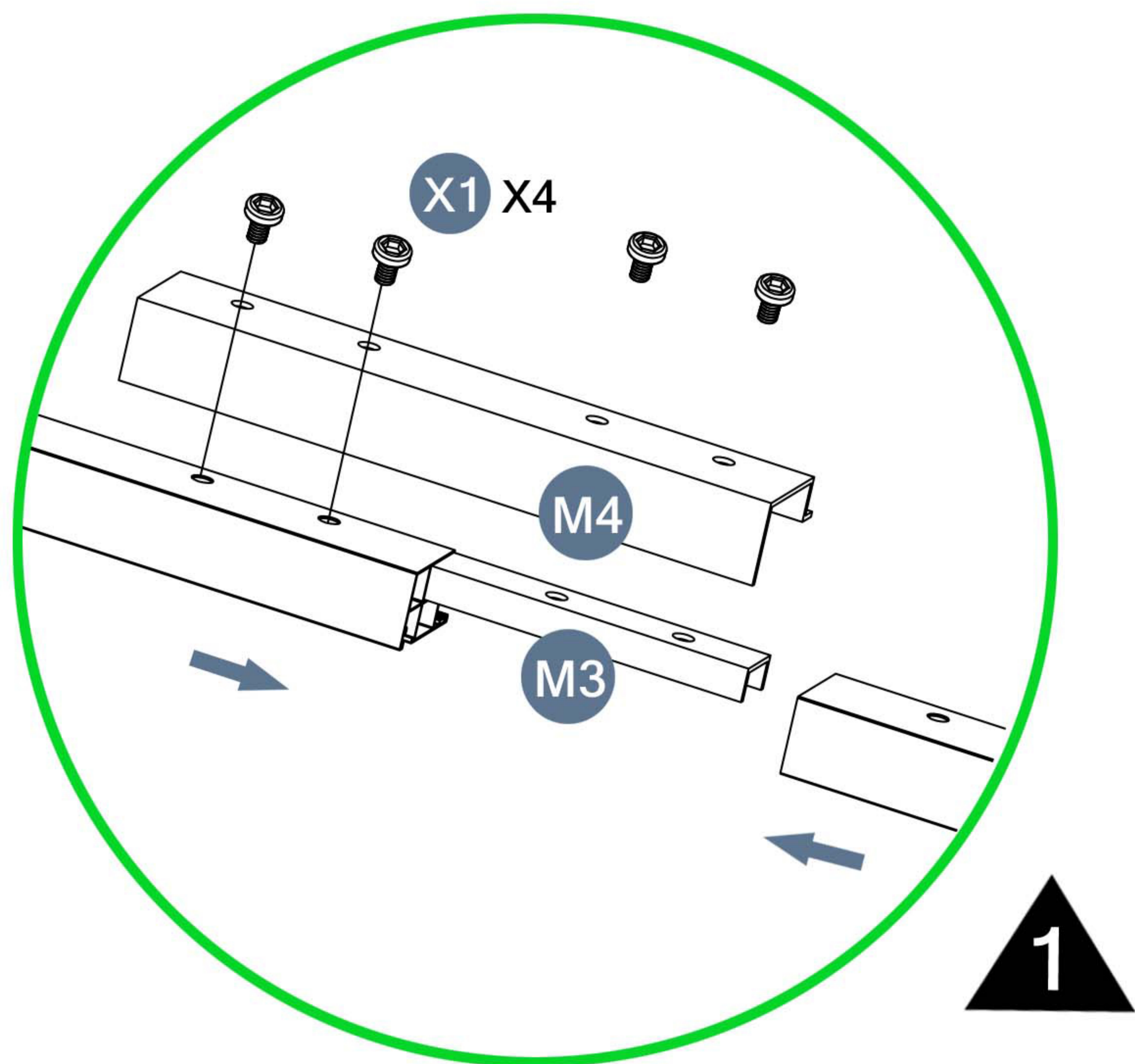
	M4	2pcs		X1	8pcs
	M3	2pcs		X3	8pcs
	E	1pcs		E2	1pcs
	E1	1pcs		E3	1pcs
				M5	4pcs

1 → 2

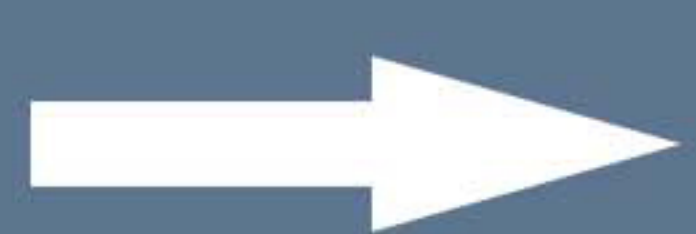
Please pay attention to the direction of the left and right placement of M4.



M5 Unify one direction, to the right



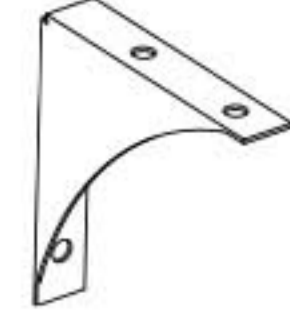
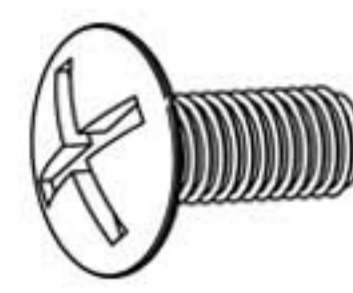


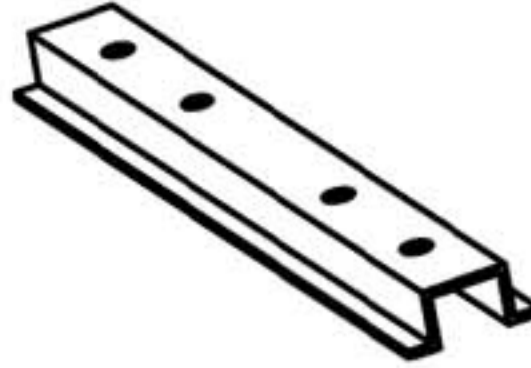
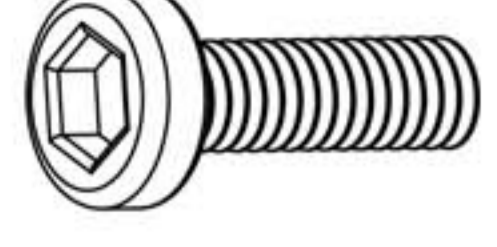

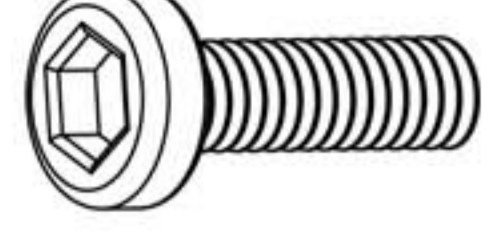
Please take care of the screws and contact the after-sales service if there is any problem with the installation or parts.

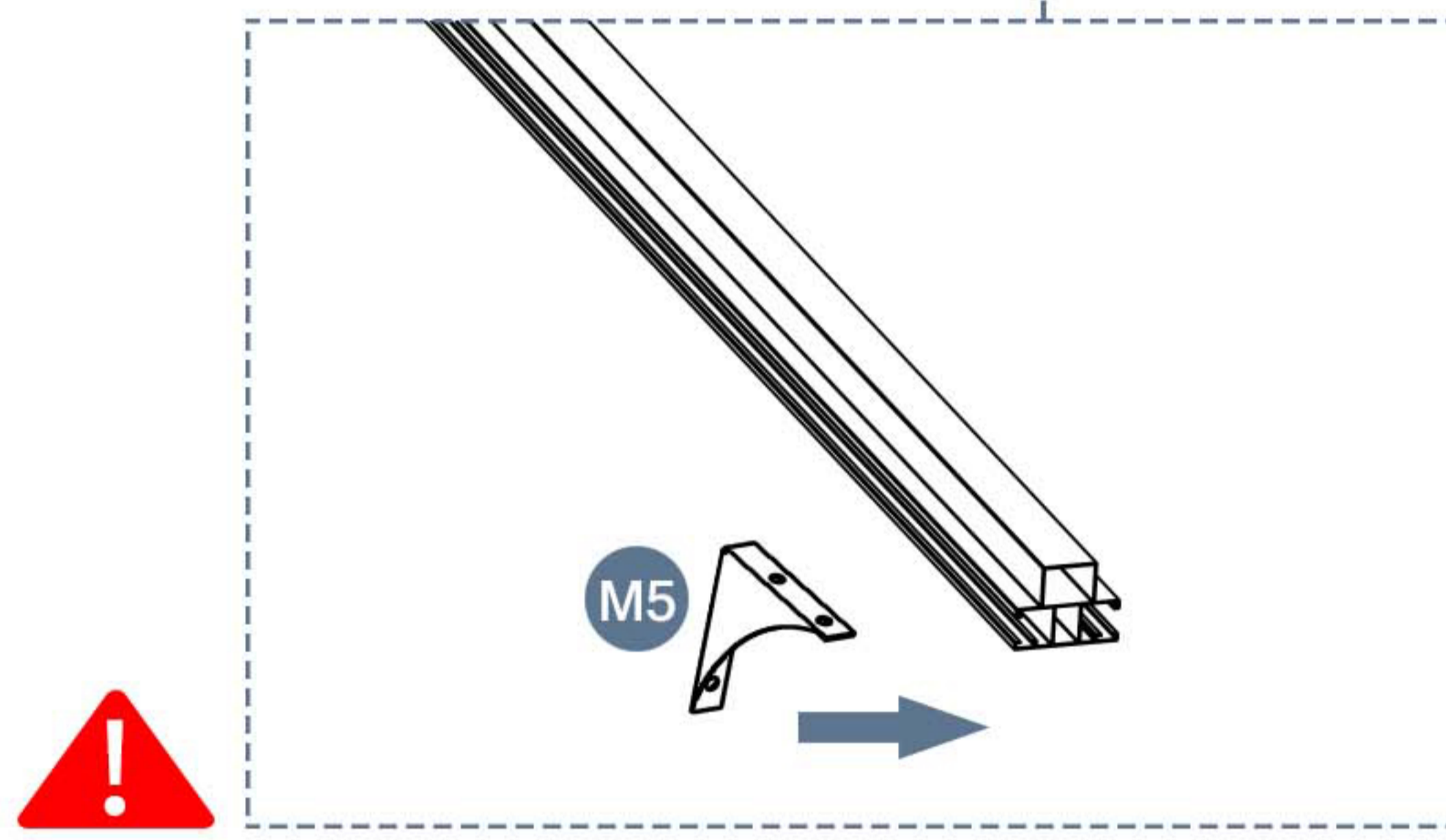
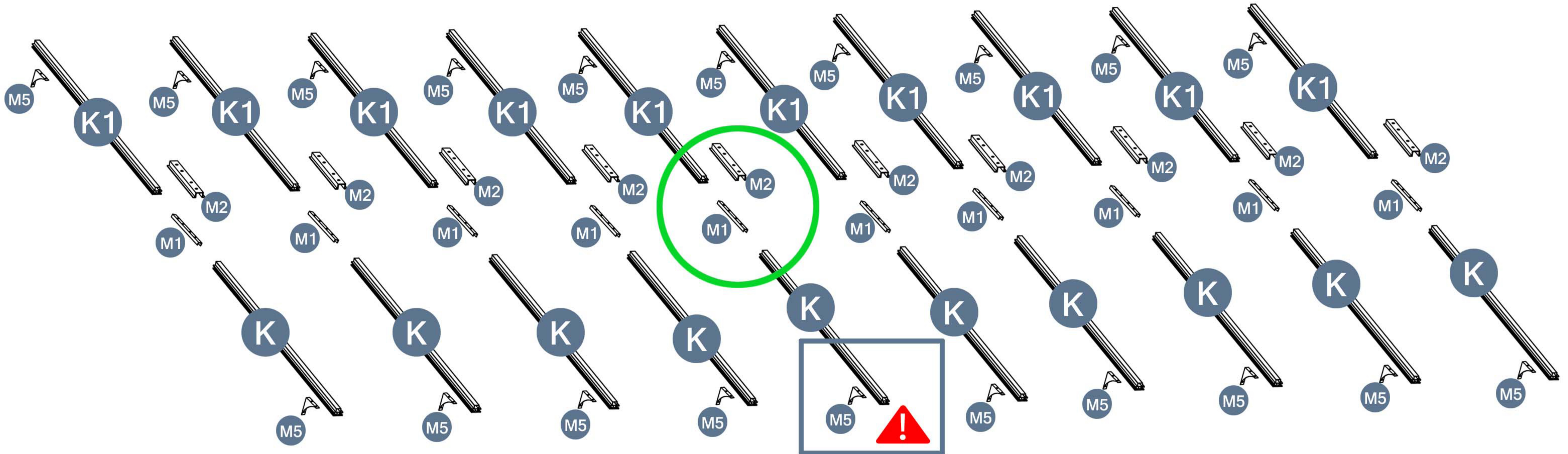
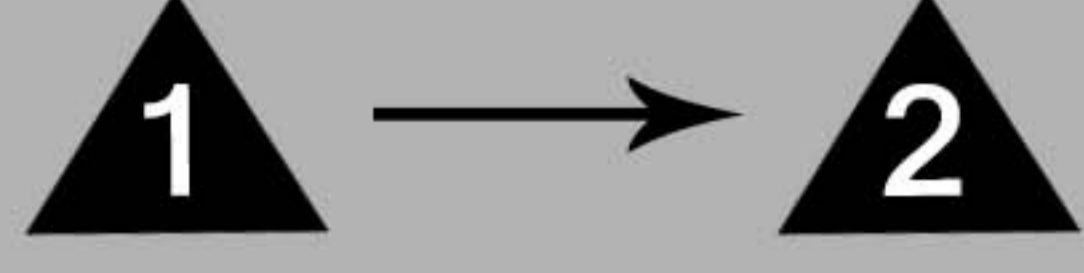


E-mail: cs.helper01@gmail.com

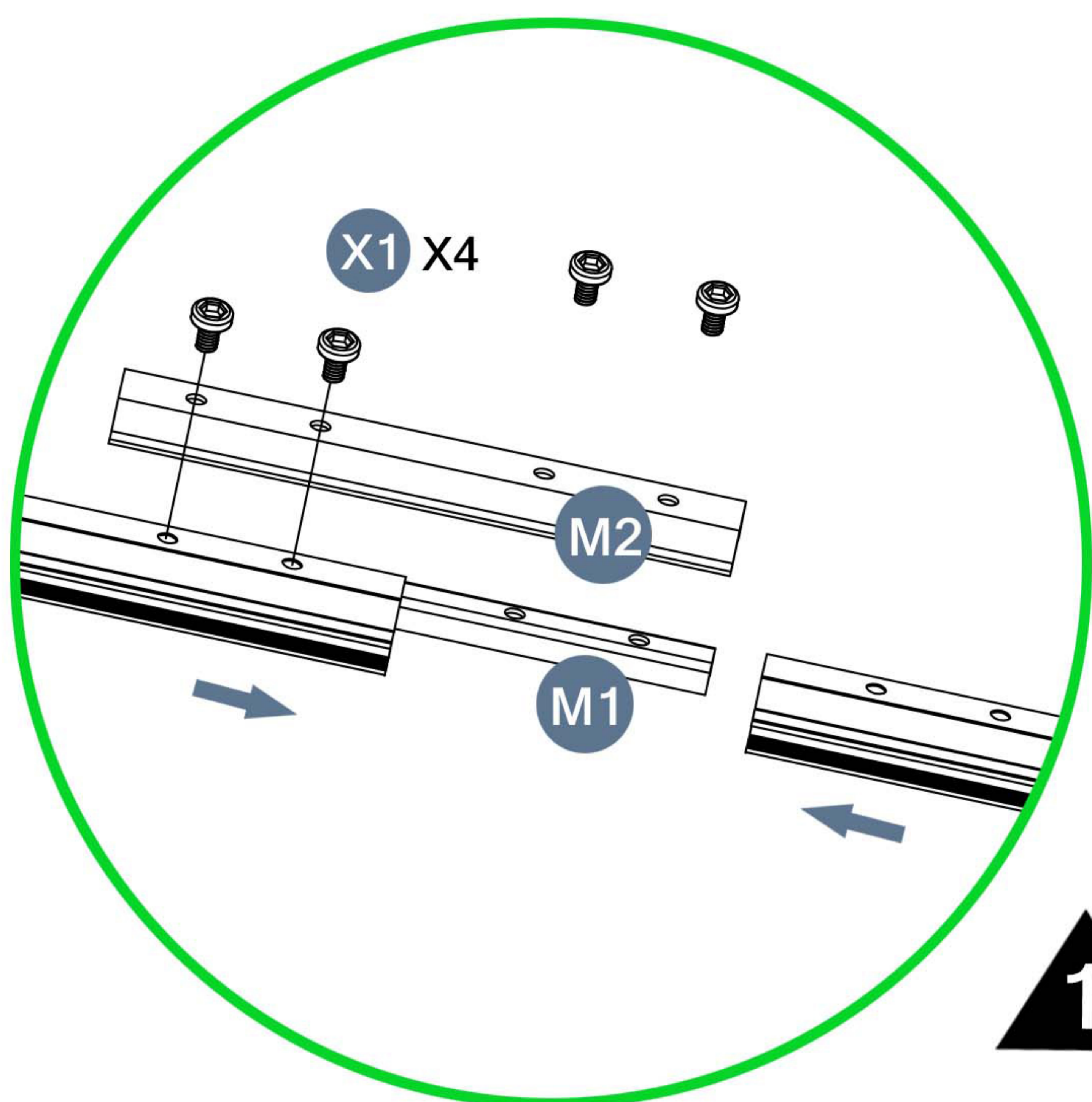
STEP 10

Parts required

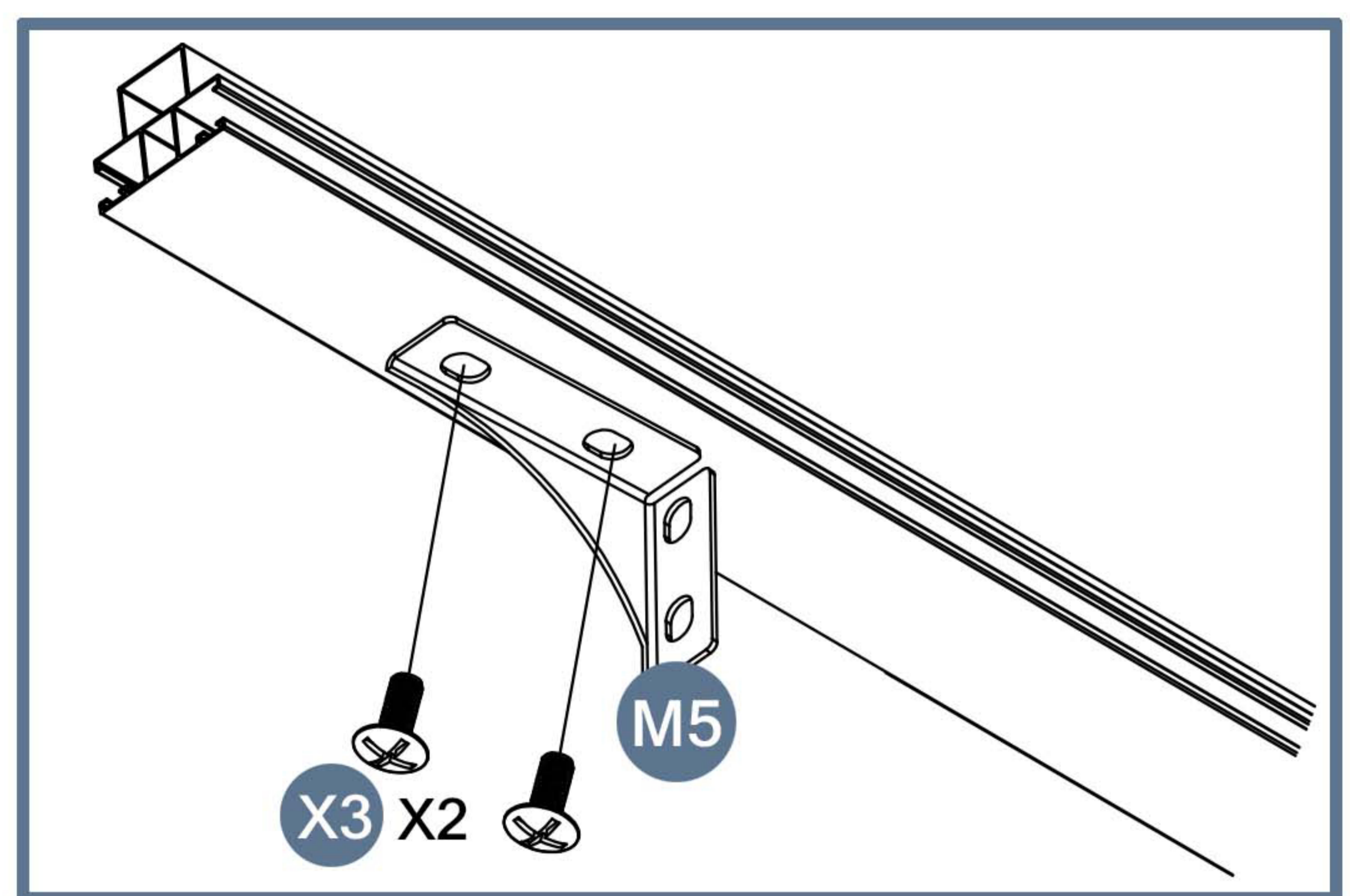
-  M5 20pcs
-  M1 10pcs
-  X3 40pcs
-  K 10pcs
-  M2 10pcs
-  X1 40pcs
-  K1 10pcs
- 



M5 Unify one direction, to the right



1



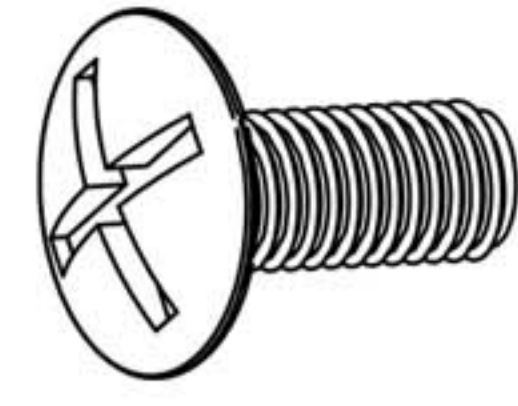
2

Please take care of the screws and contact the after-sales service if there is any problem with the installation or parts.

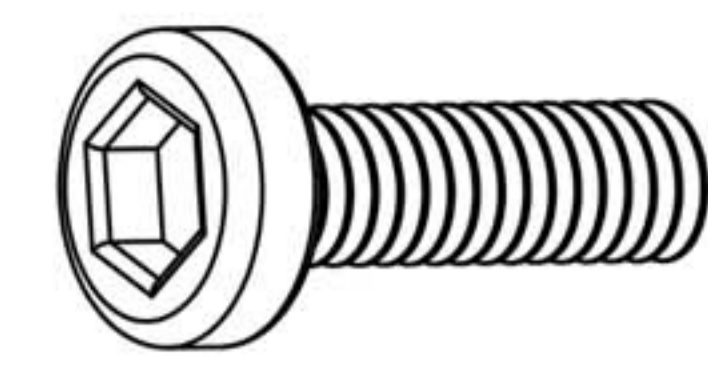
➔  E-mail: cs.helper01@gmail.com

STEP 11

Parts required



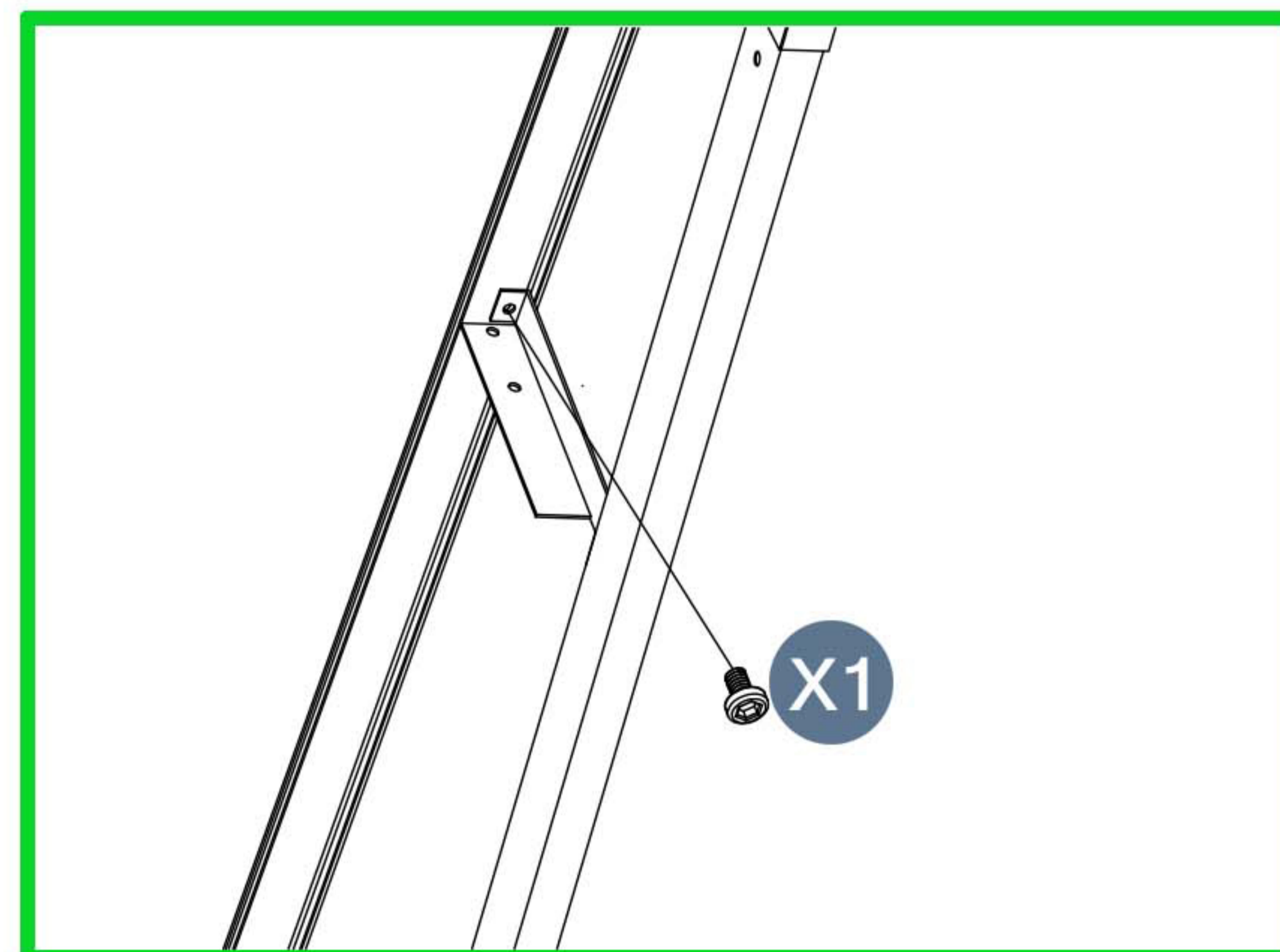
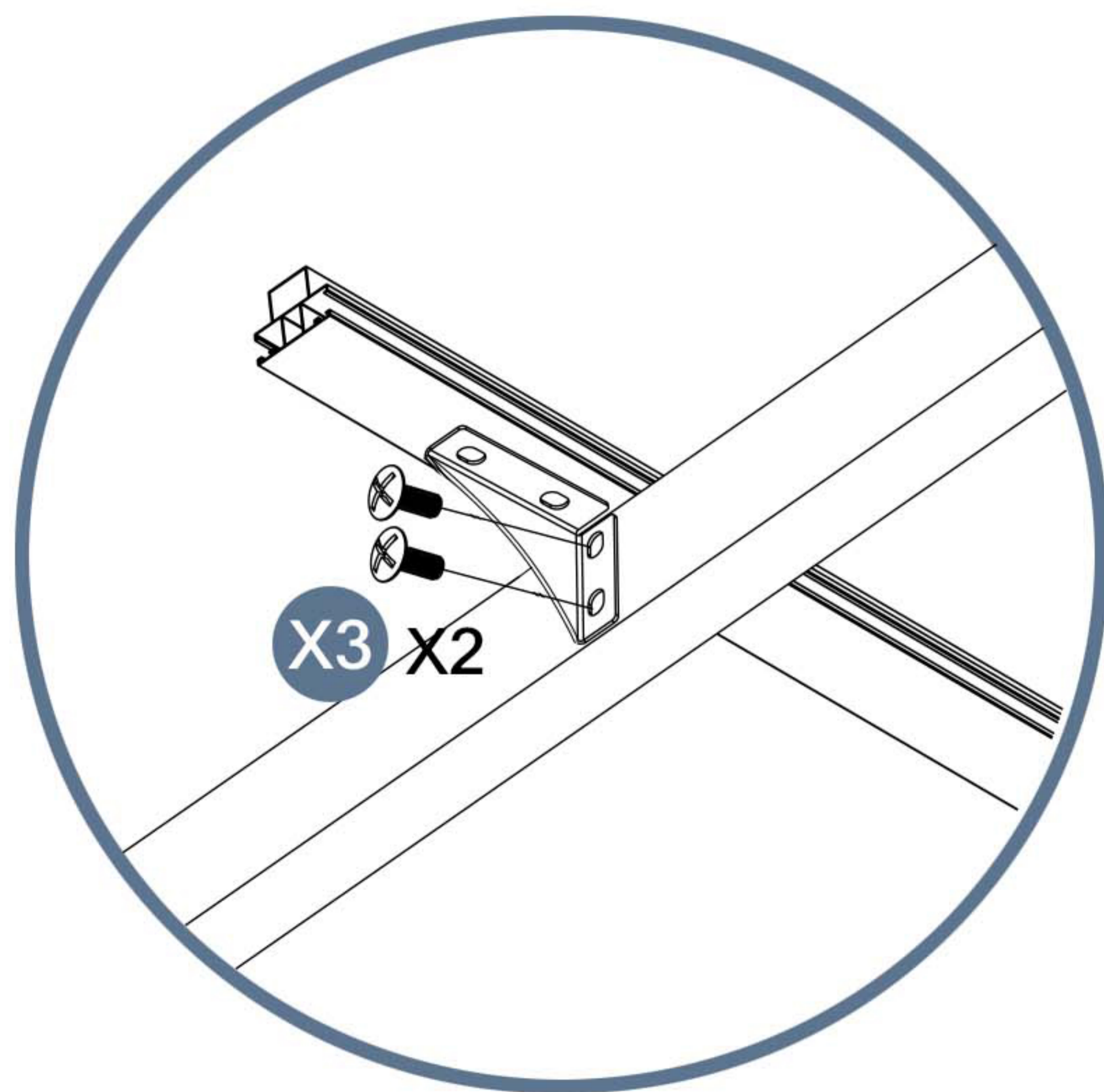
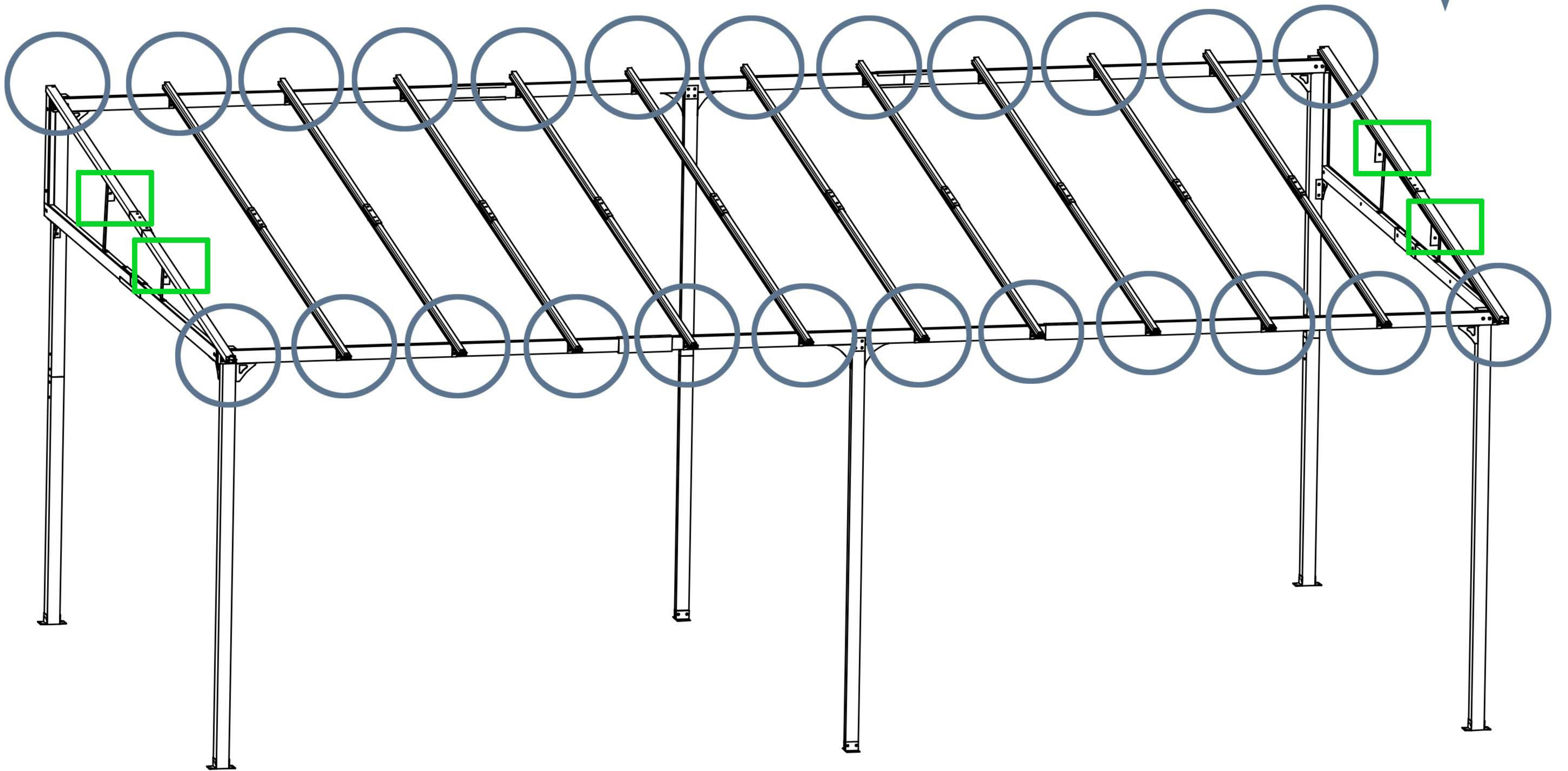
X3 48pcs



X1 4pcs



Install steps 9 and 10 on the bracket



!!! Pay attention to the difference of screws

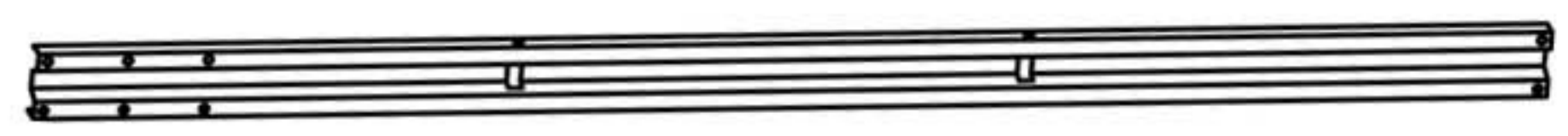
Please take care of the screws and contact the after-sales service if there is any problem with the installation or parts.



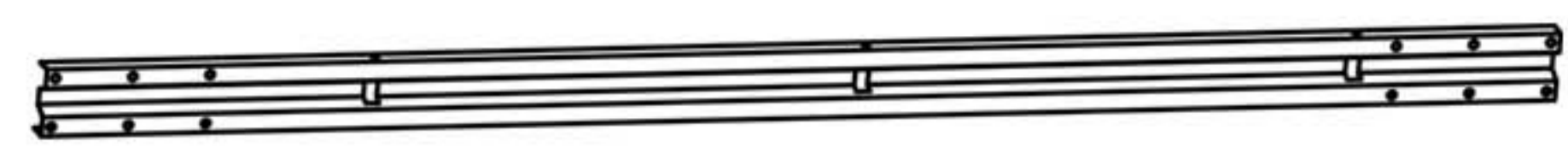
E-mail: cs.helper01@gmail.com

STEP 12

Parts required



N1 2pcs



N2 2pcs



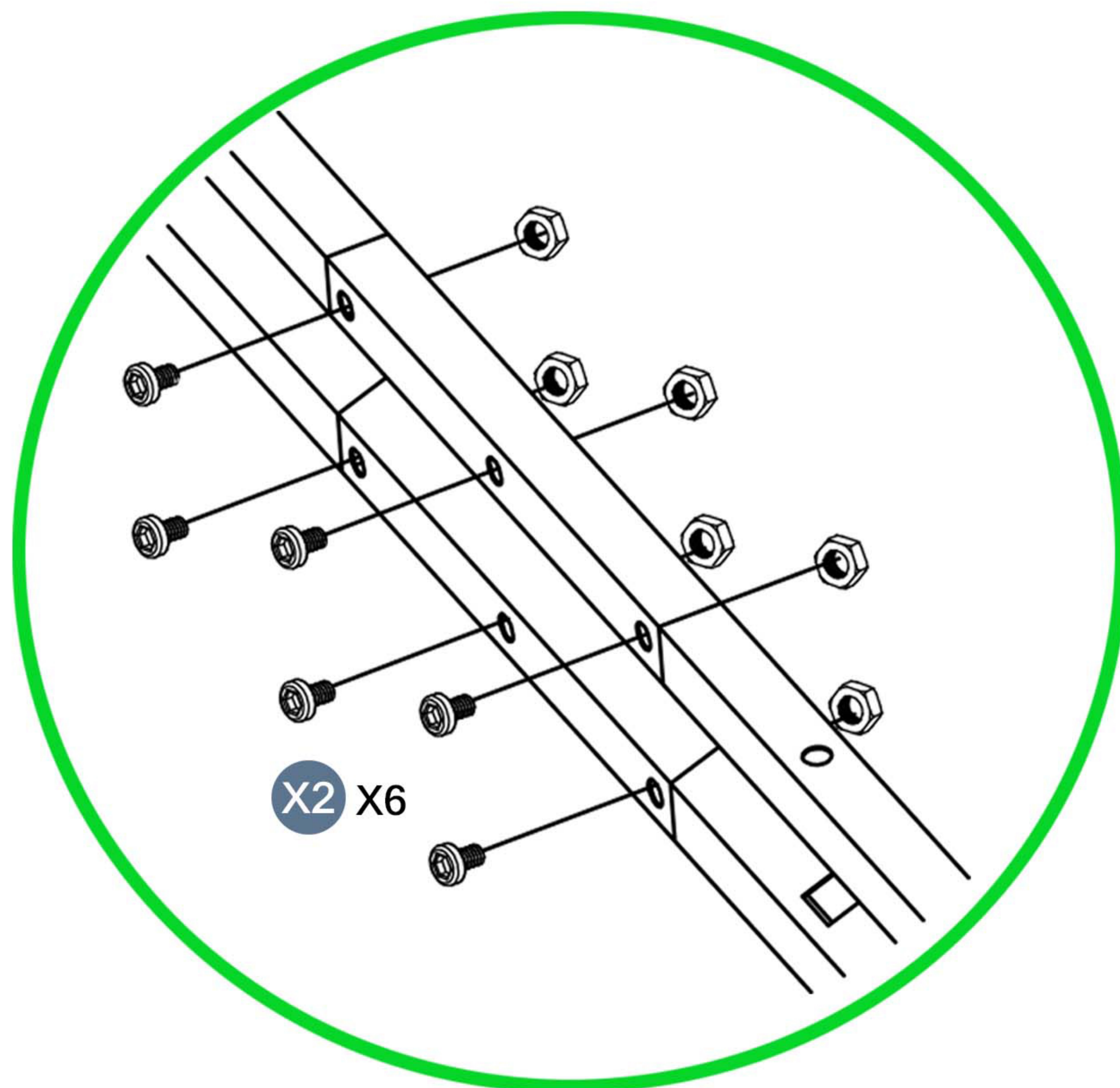
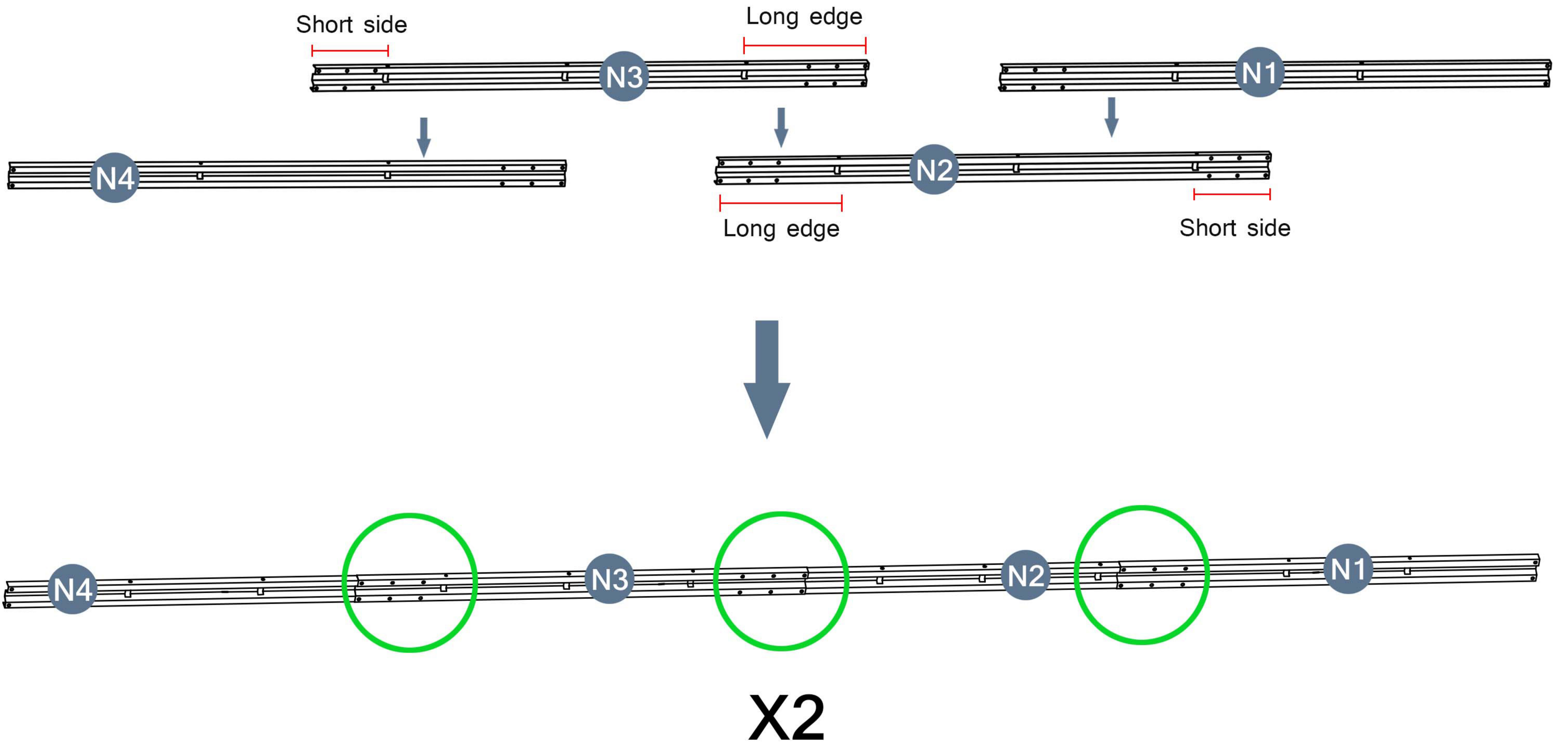
N4 2pcs



N3 2pcs



X2 36pcs

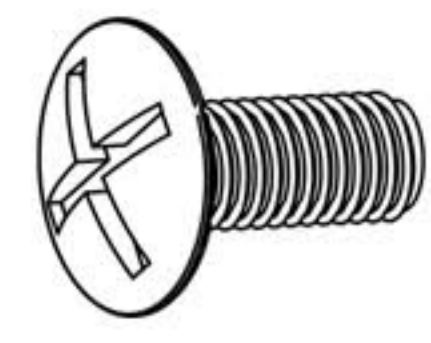


Please take care of the screws and contact the after-sales service if there is any problem with the installation or parts.

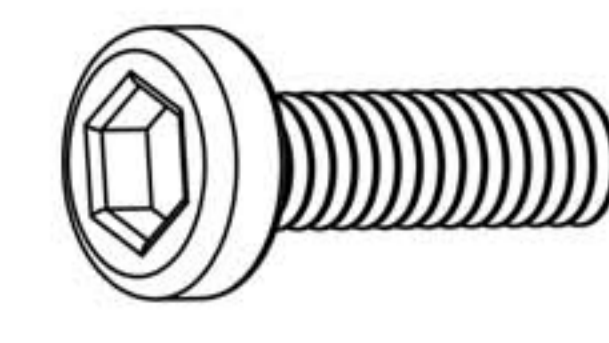
➔ ✉ E-mail: cs.helper01@gmail.com

STEP 13

Parts required

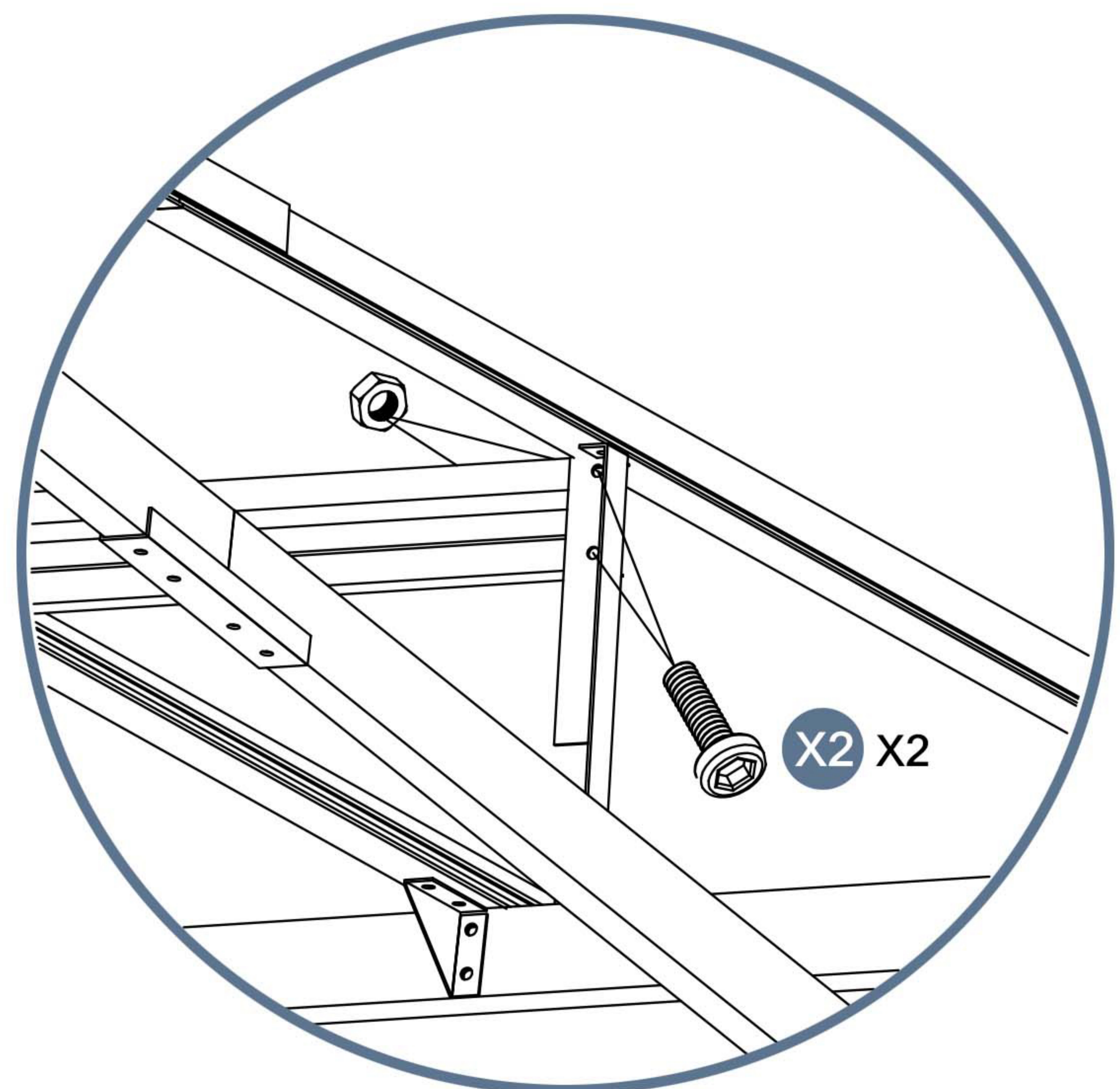
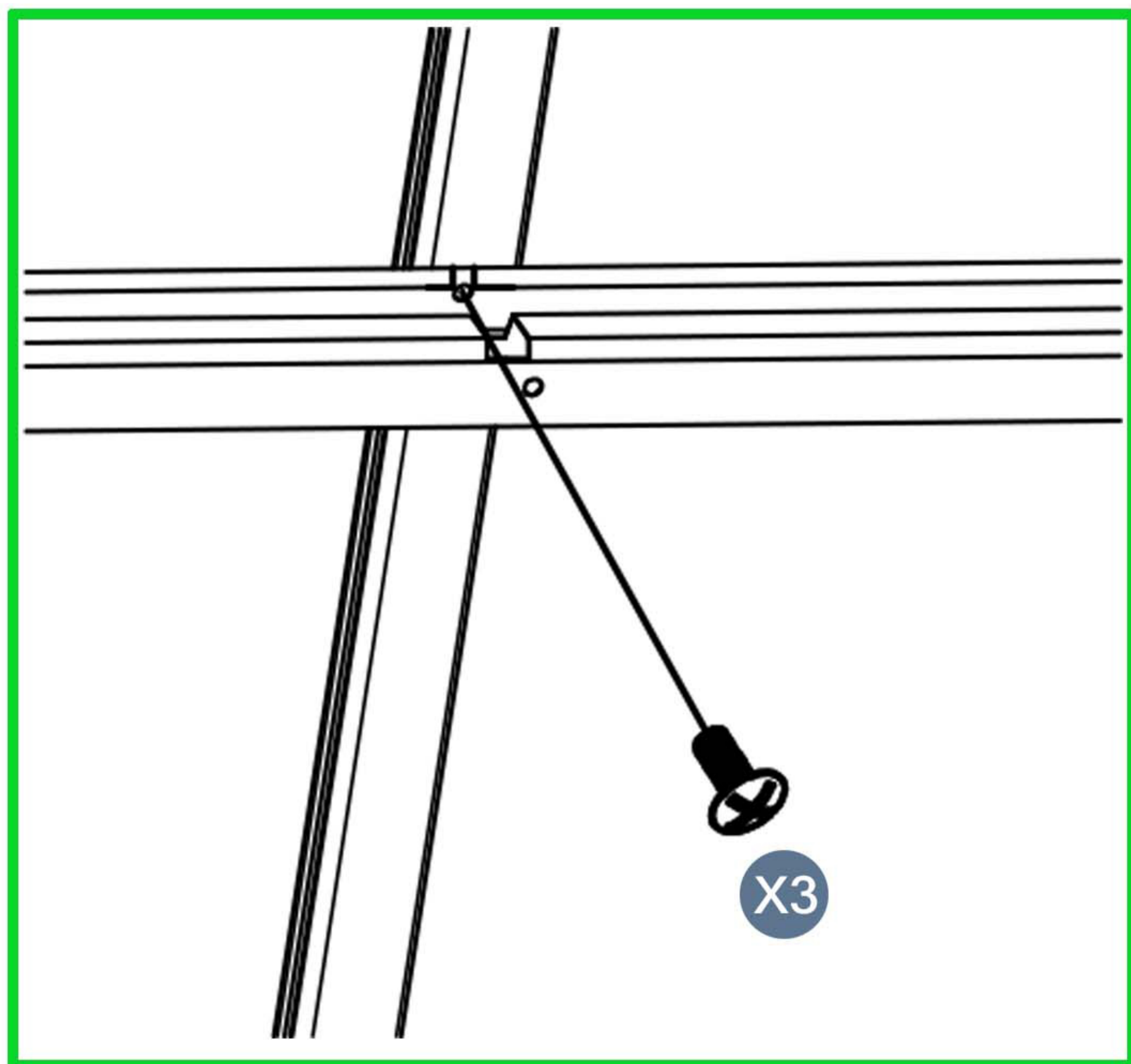
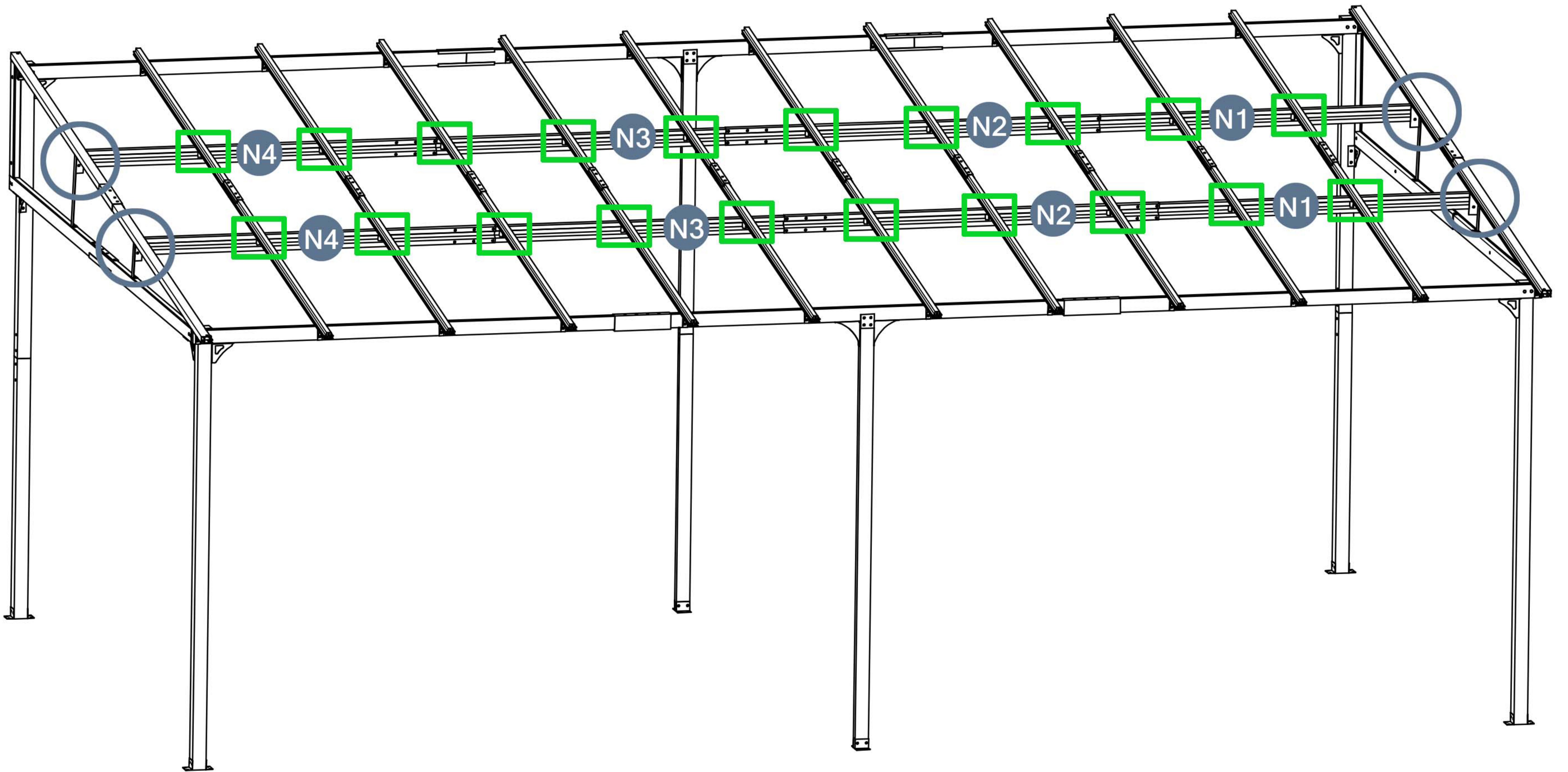


X3 20pcs



X2 8pcs

Install steps 12 on the bracket



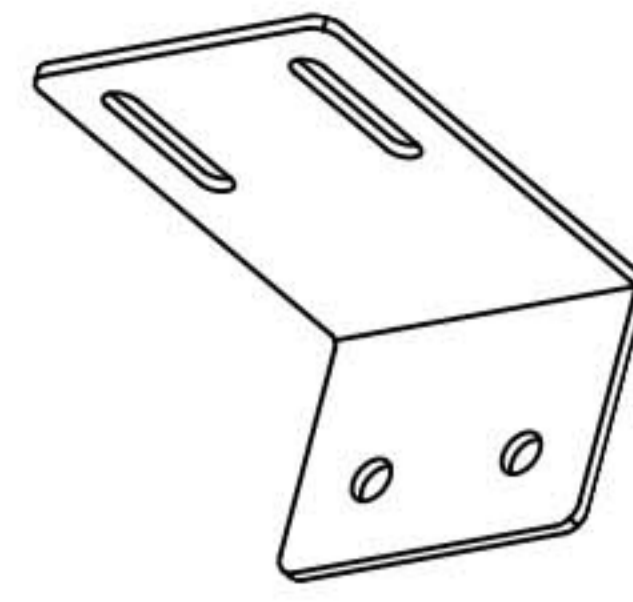
Please take care of the screws and contact the after-sales service if there is any problem with the installation or parts.



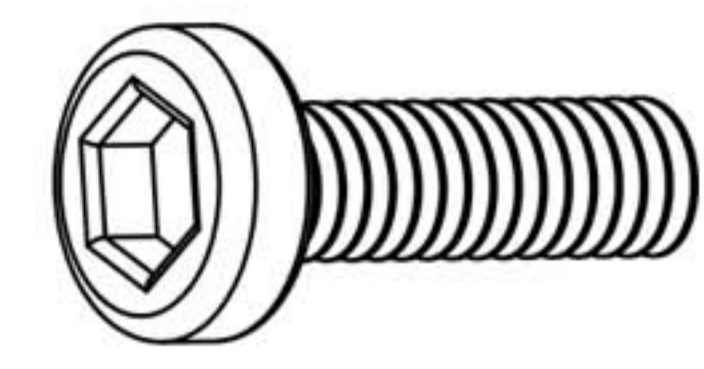
E-mail: cs.helper01@gmail.com

STEP 14

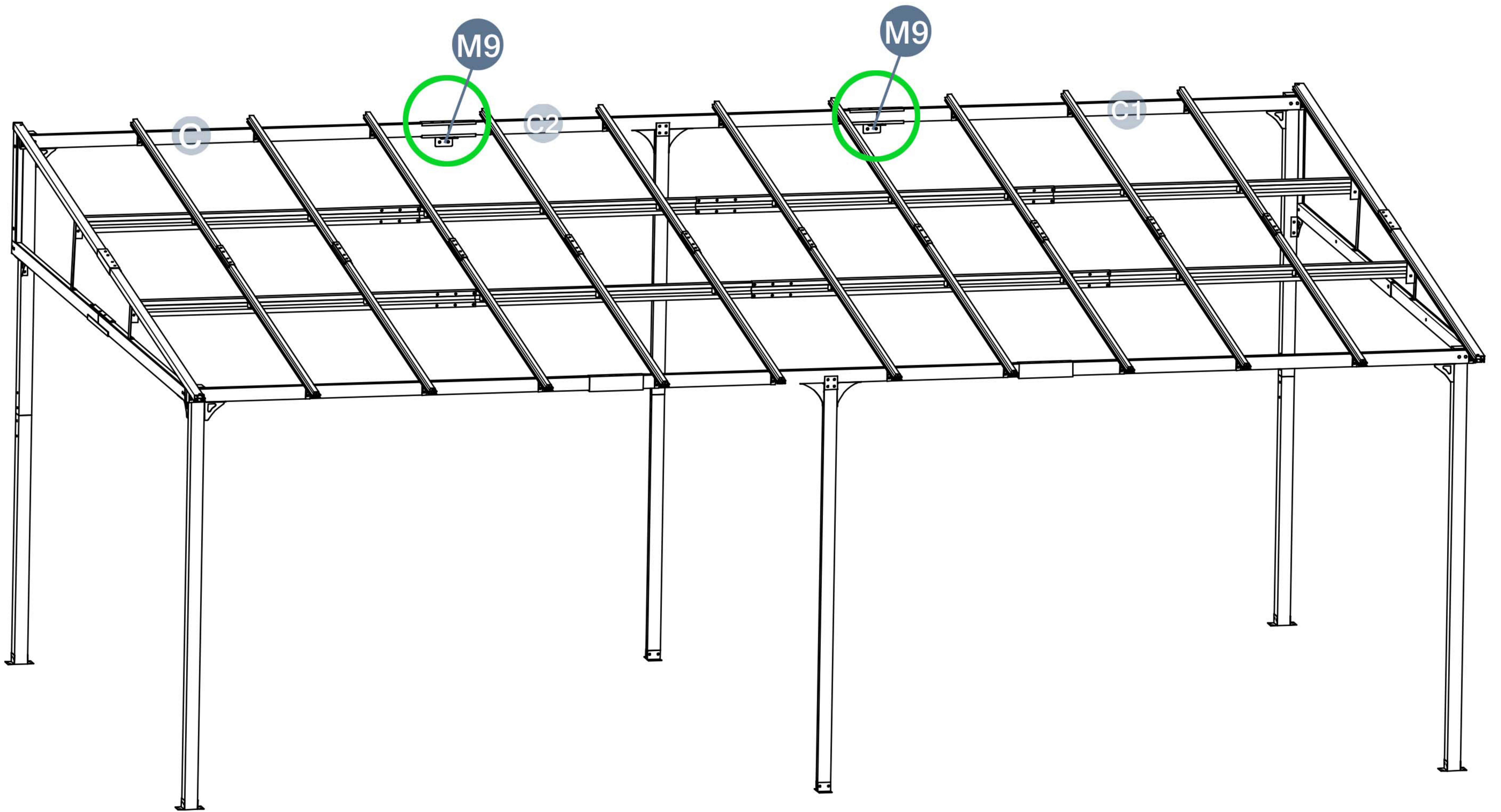
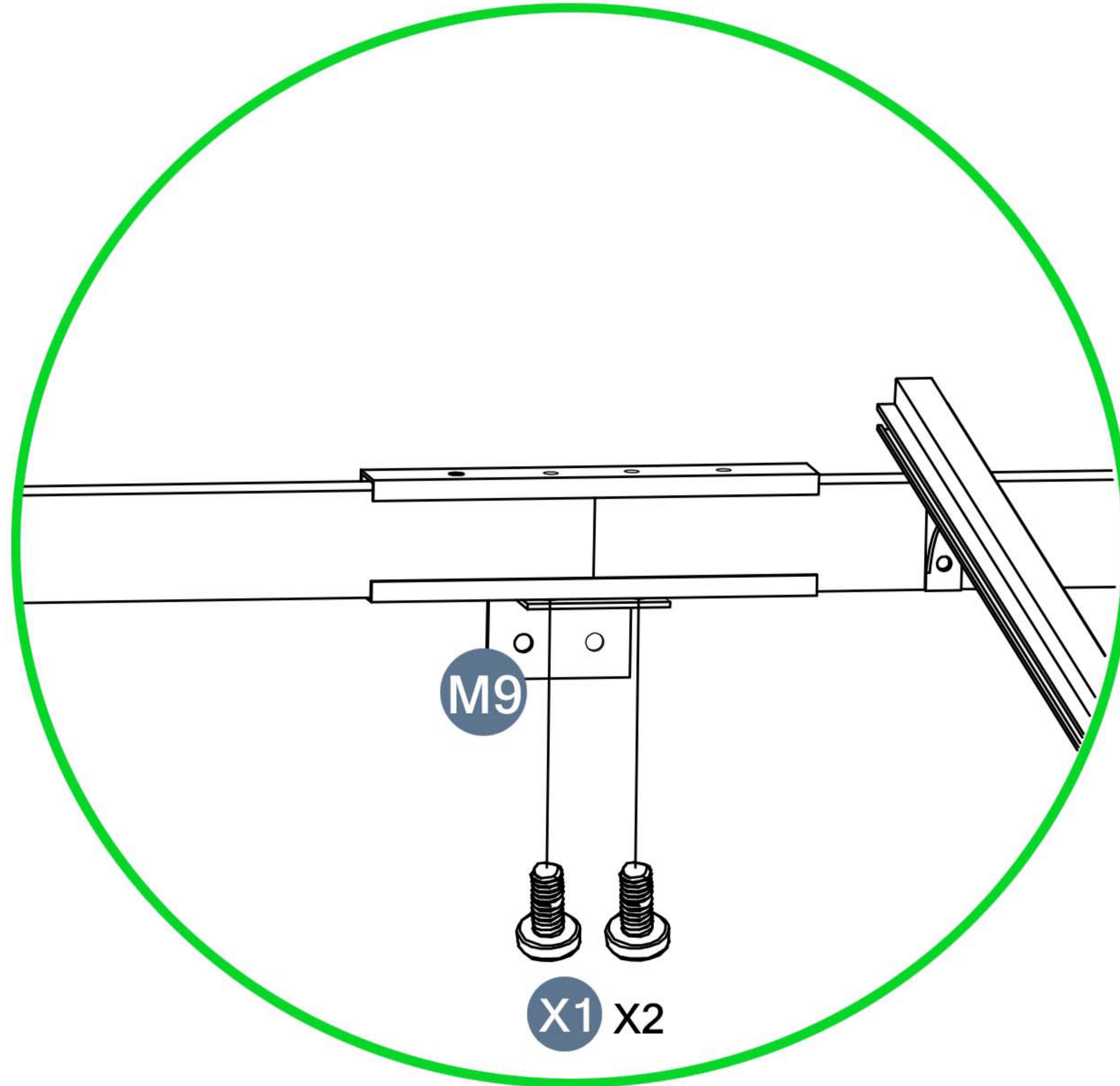
Parts required



M9 2pcs



X1 4pcs

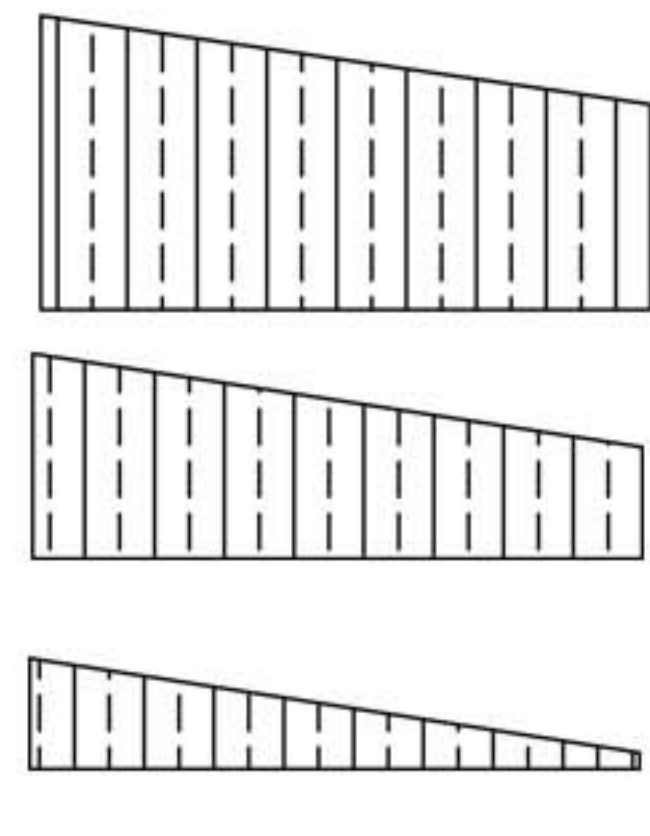


Please take care of the screws and contact the after-sales service if there is any problem with the installation or parts.

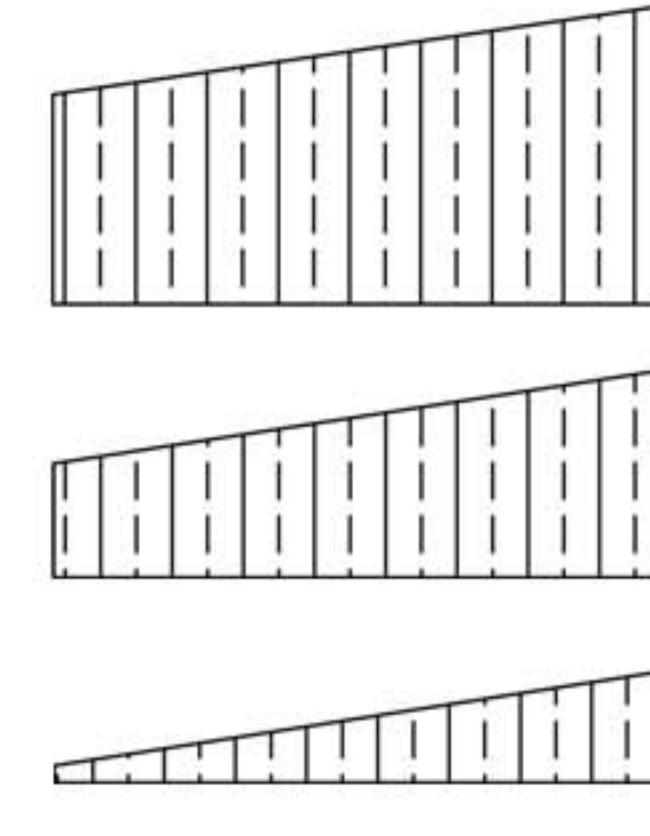
➔ ✉ E-mail: cs.helper01@gmail.com

STEP 15

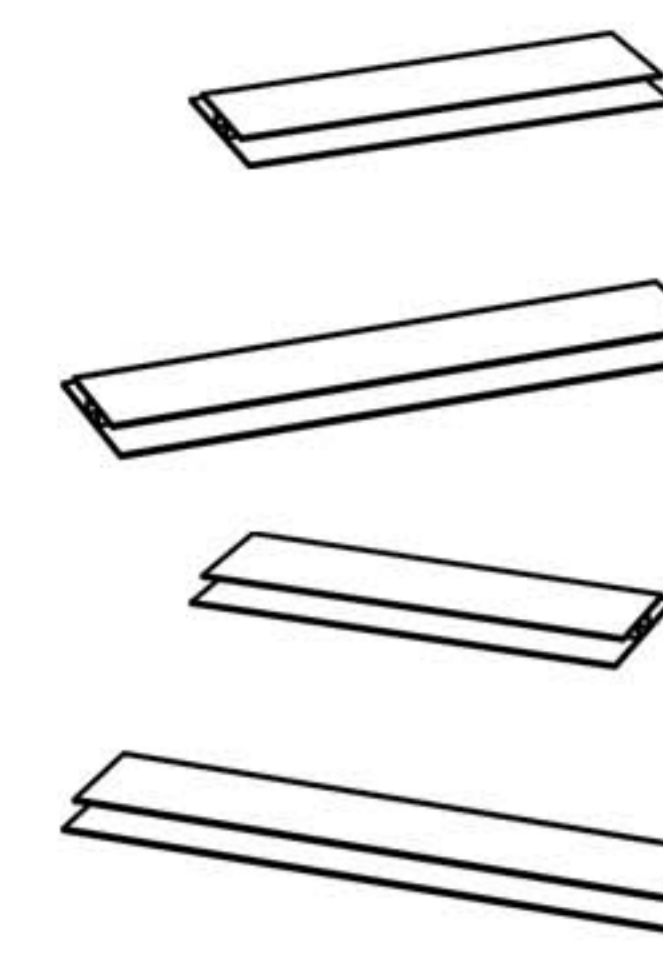
Parts required



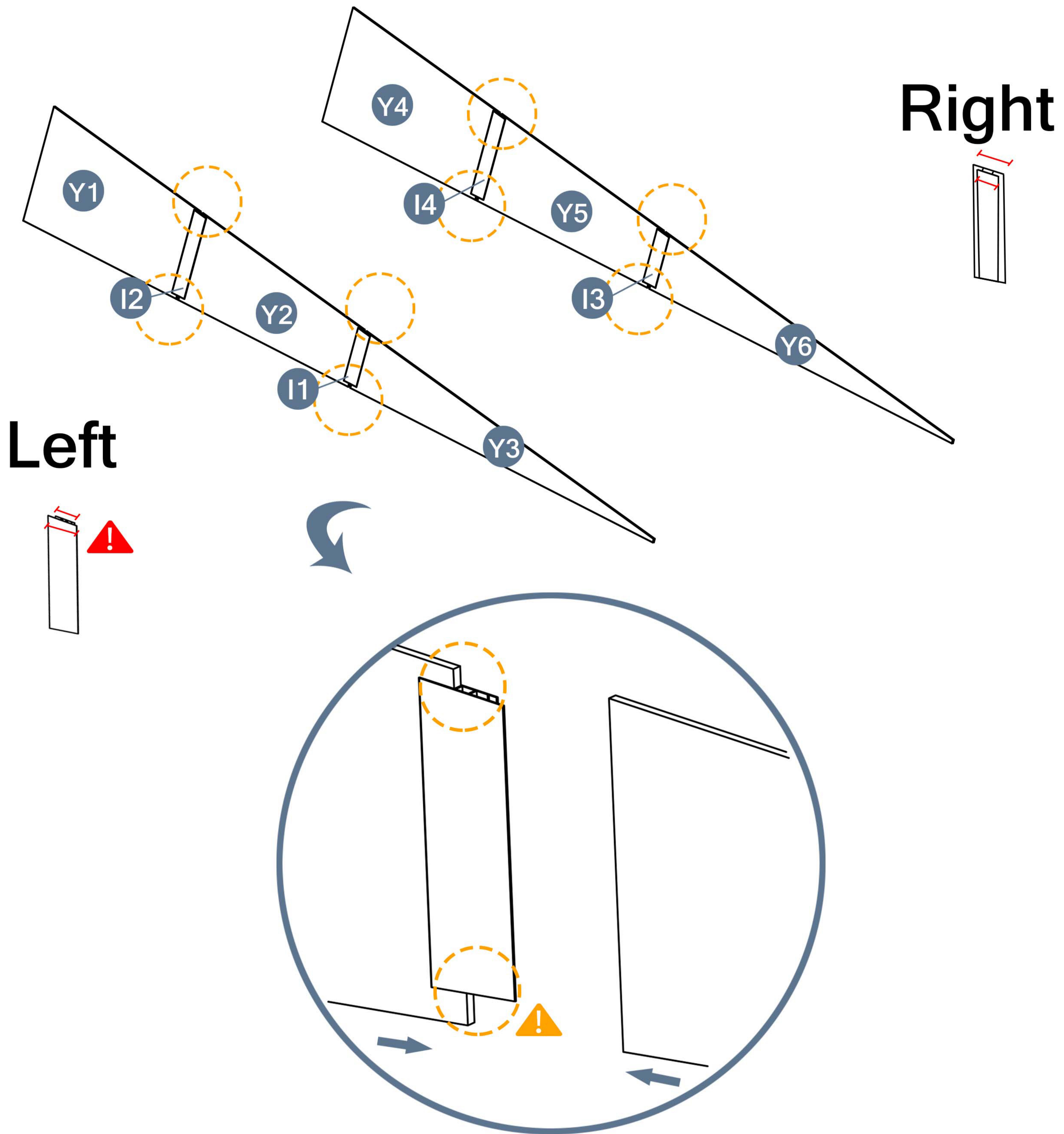
Y1 1pcs
Y2 1pcs
Y3 1pcs





Y4 1pcs
Y5 1pcs
Y6 1pcs



I1 1pcs
I2 1pcs
I3 1pcs
I4 1pcs



-  Insert the pc board into the tube slot. Attention! The wide side of I1/I2/I3 and I4 is outward.
-  Note that the yellow circle should be left blank.

Please take care of the screws and contact the after-sales service if there is any problem with the installation or parts.



E-mail: cs.helper01@gmail.com

STEP 16

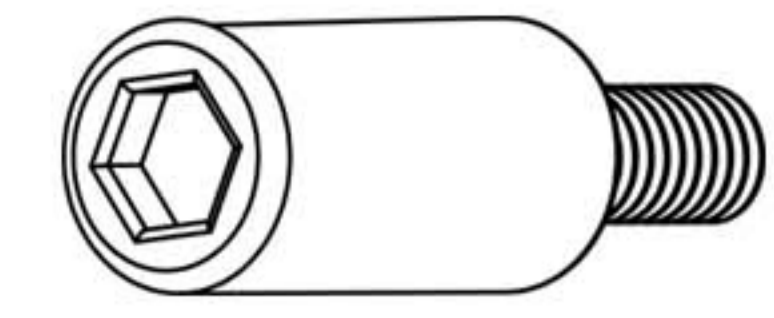
Parts required



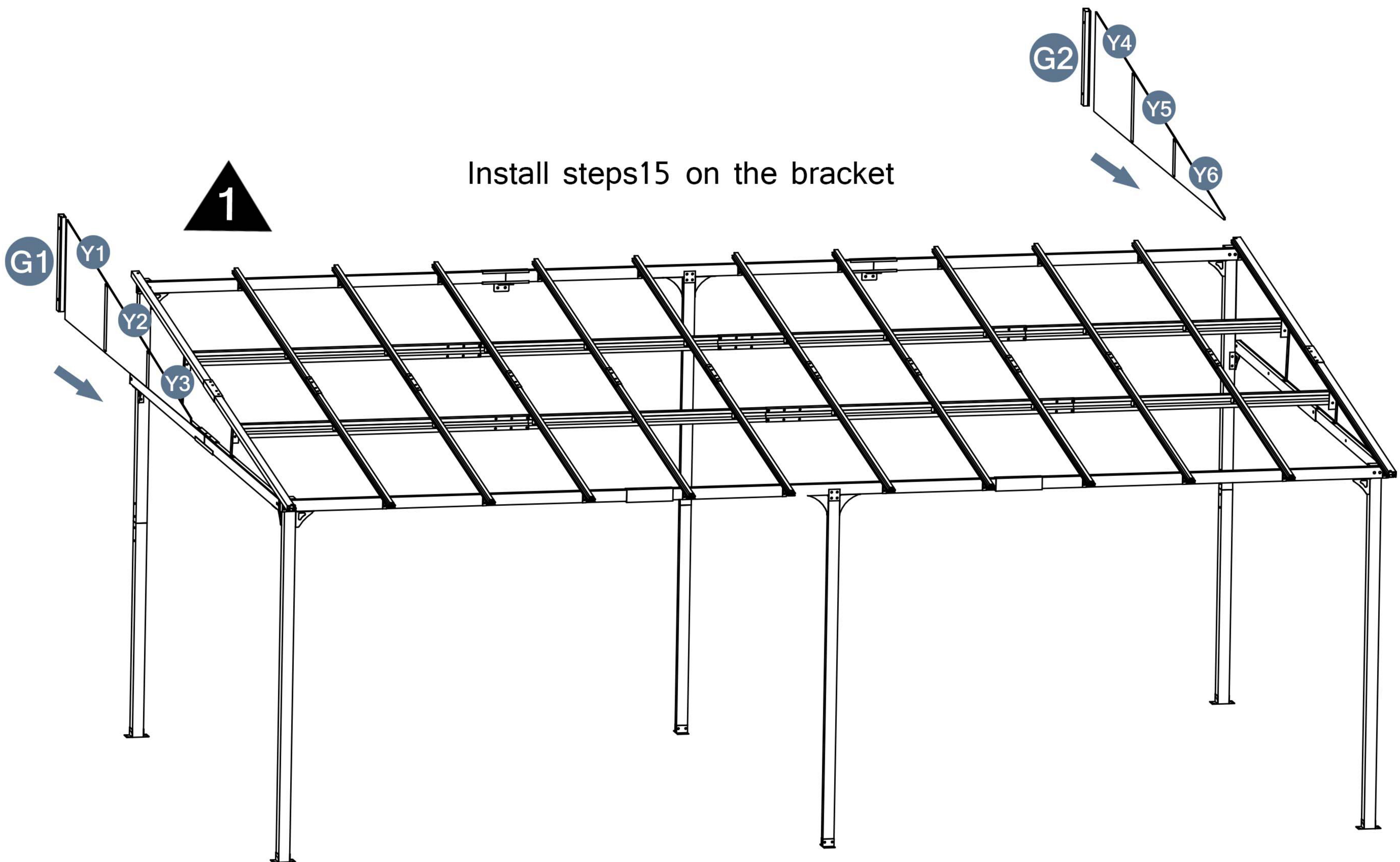
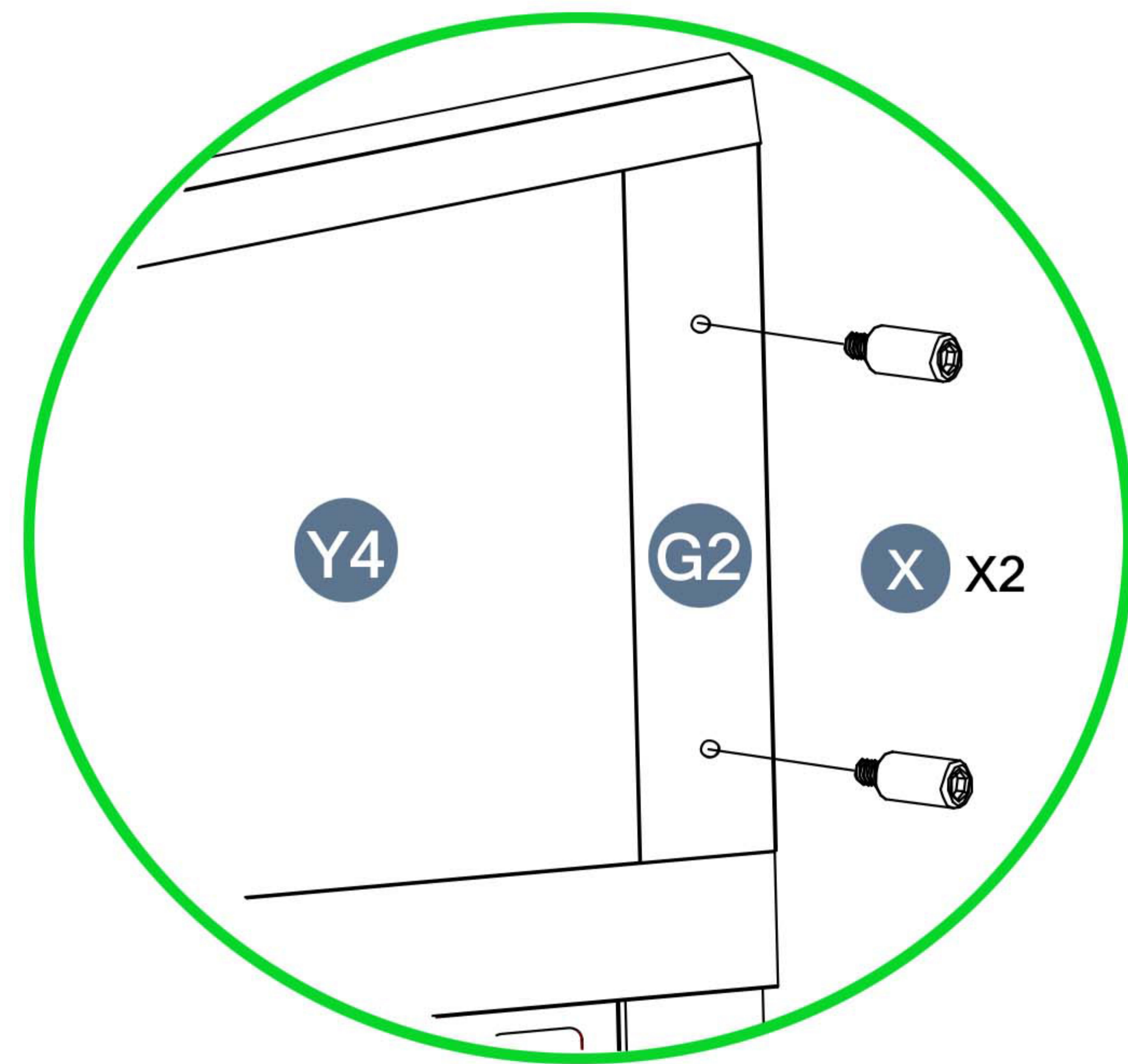
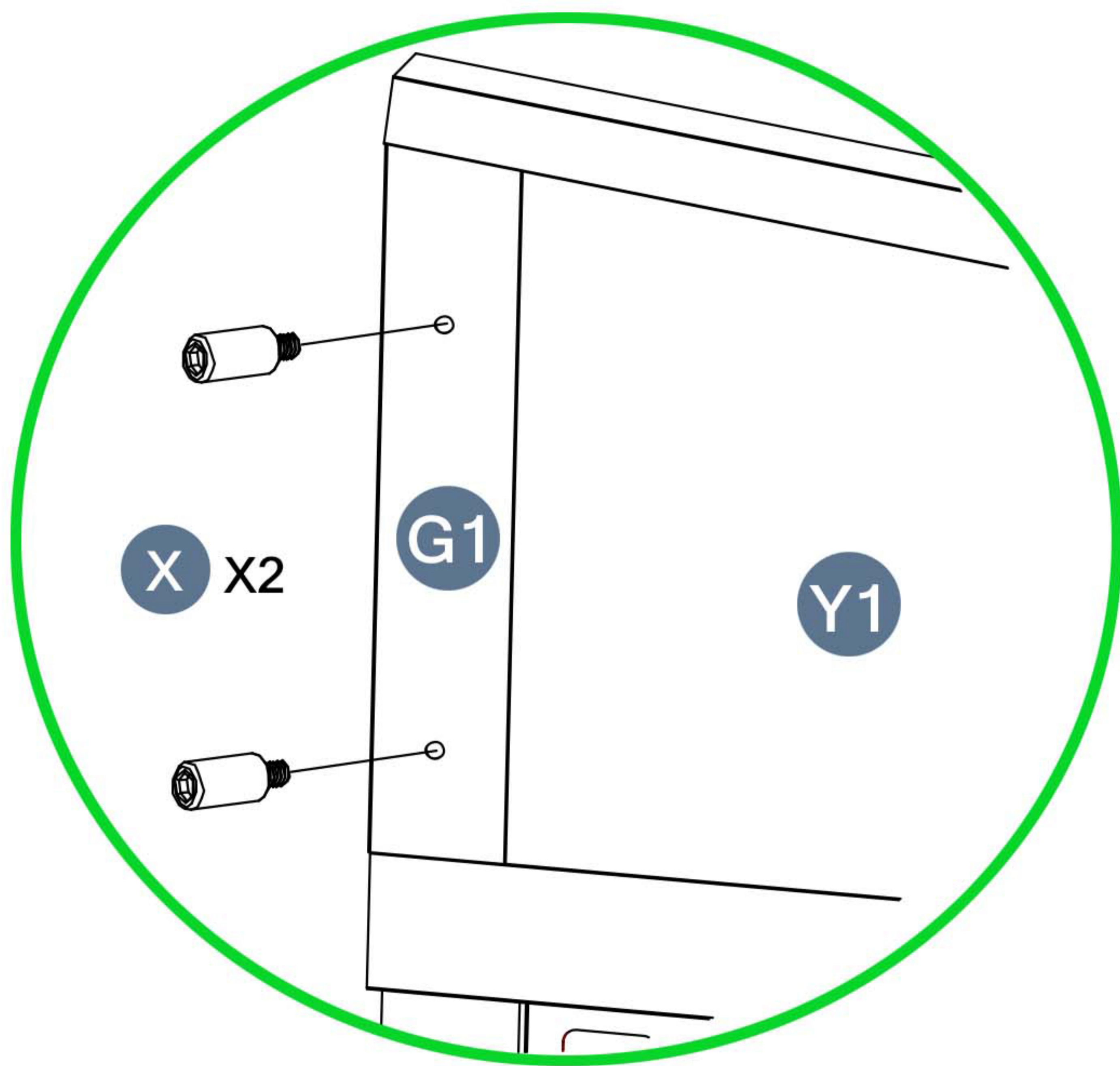
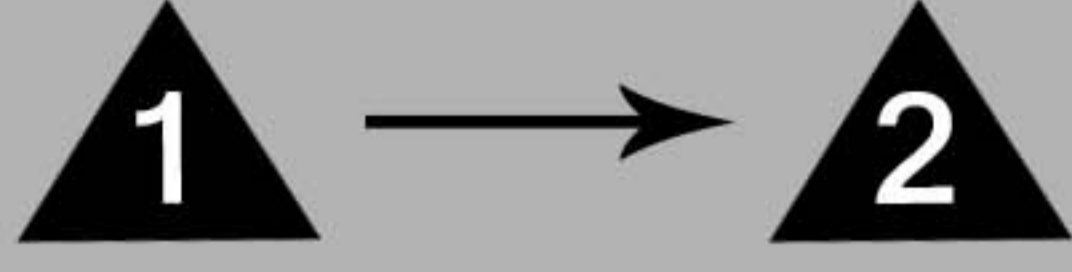
G1 1pcs



G2 1pcs



X 4pcs

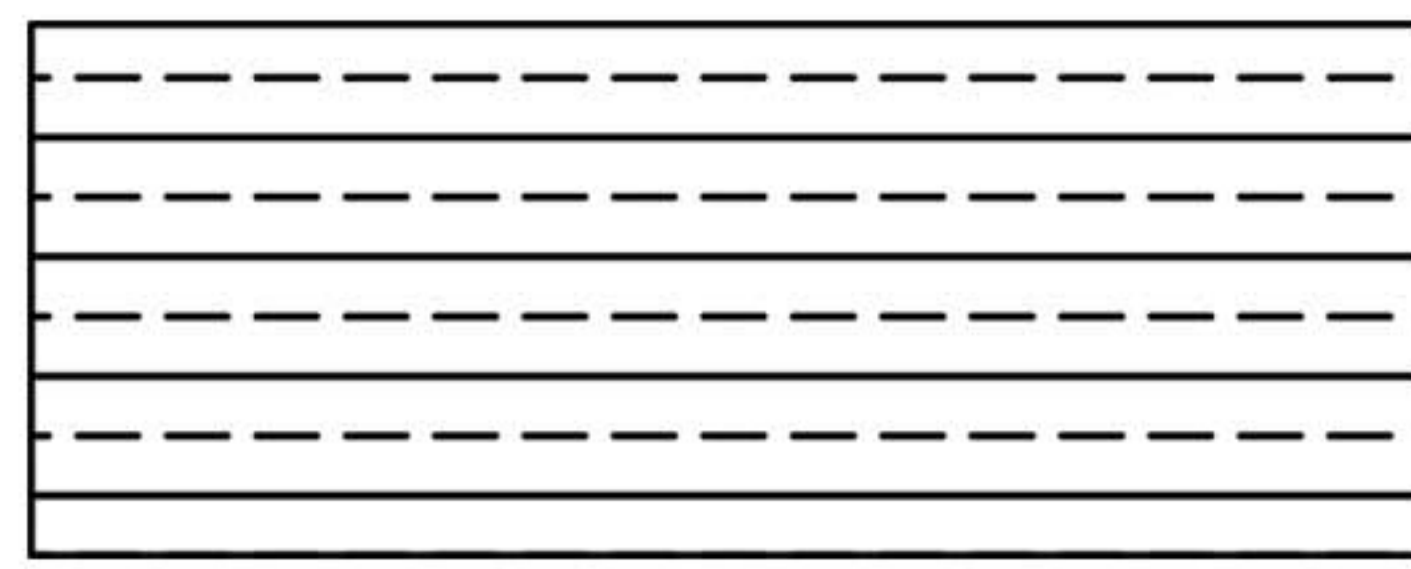


Please take care of the screws and contact the after-sales service if there is any problem with the installation or parts.

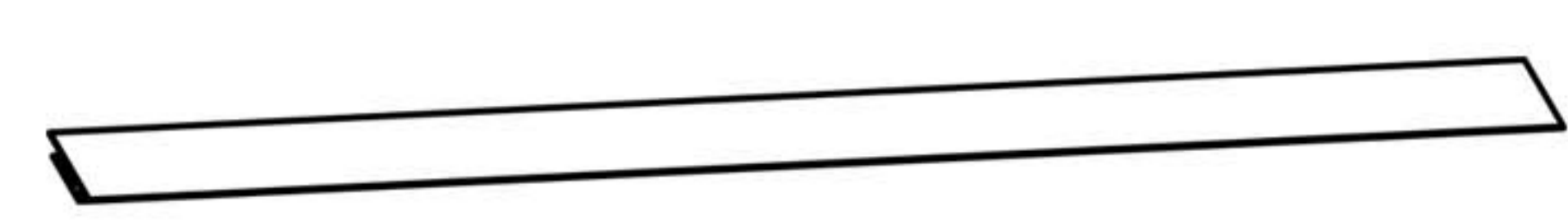
➔ ✉ E-mail: cs.helper01@gmail.com

STEP 17

Parts required

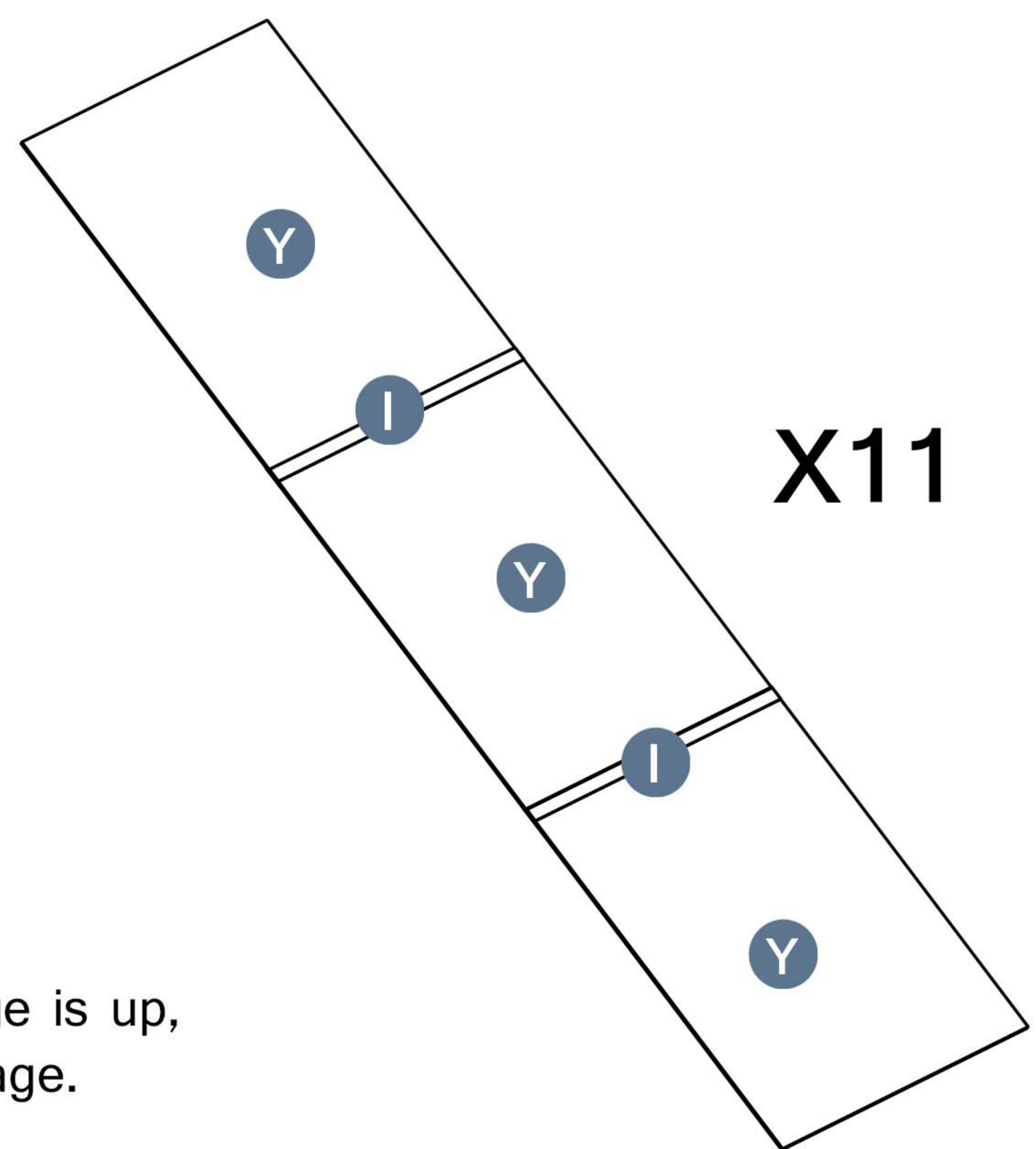
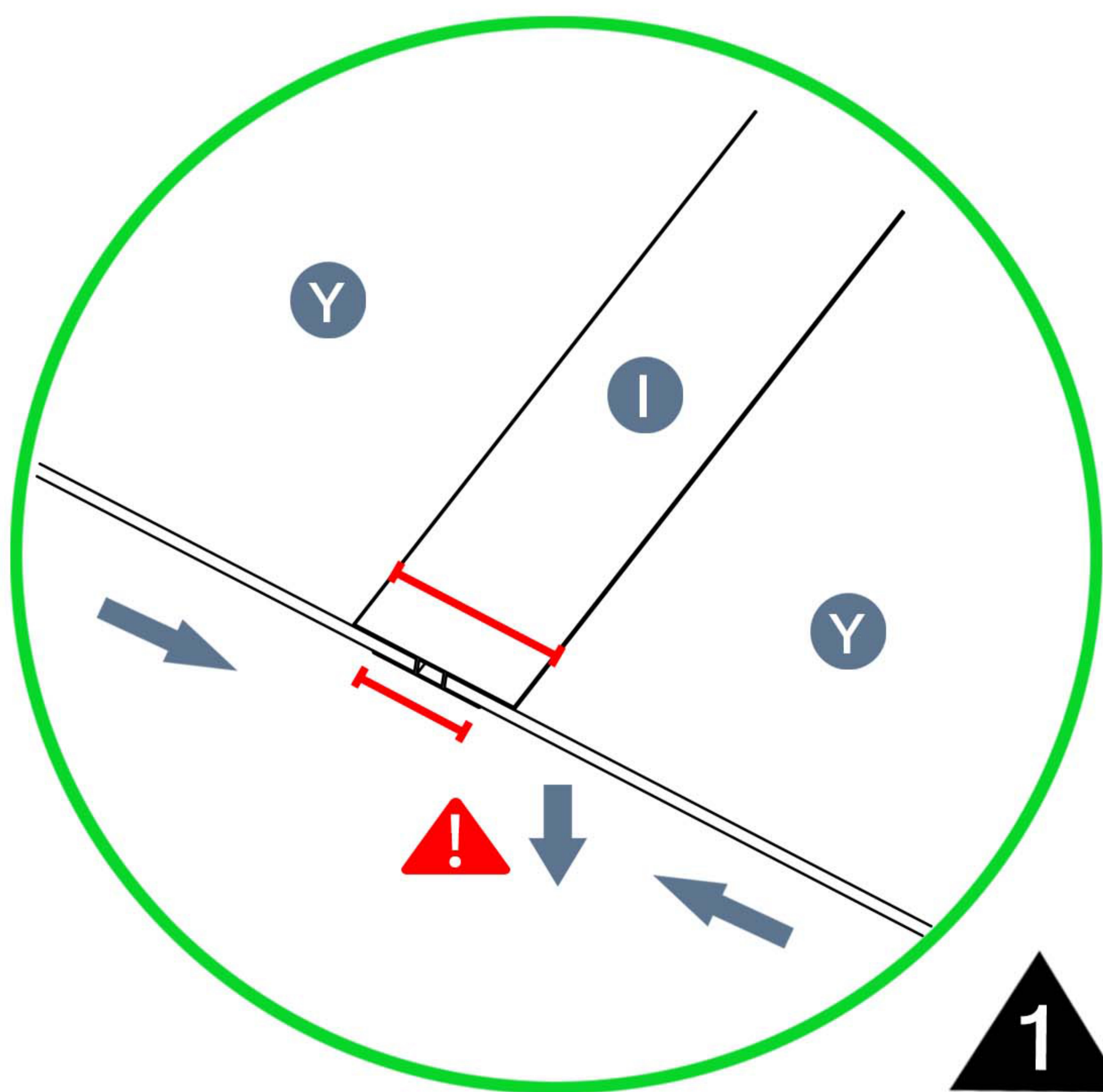
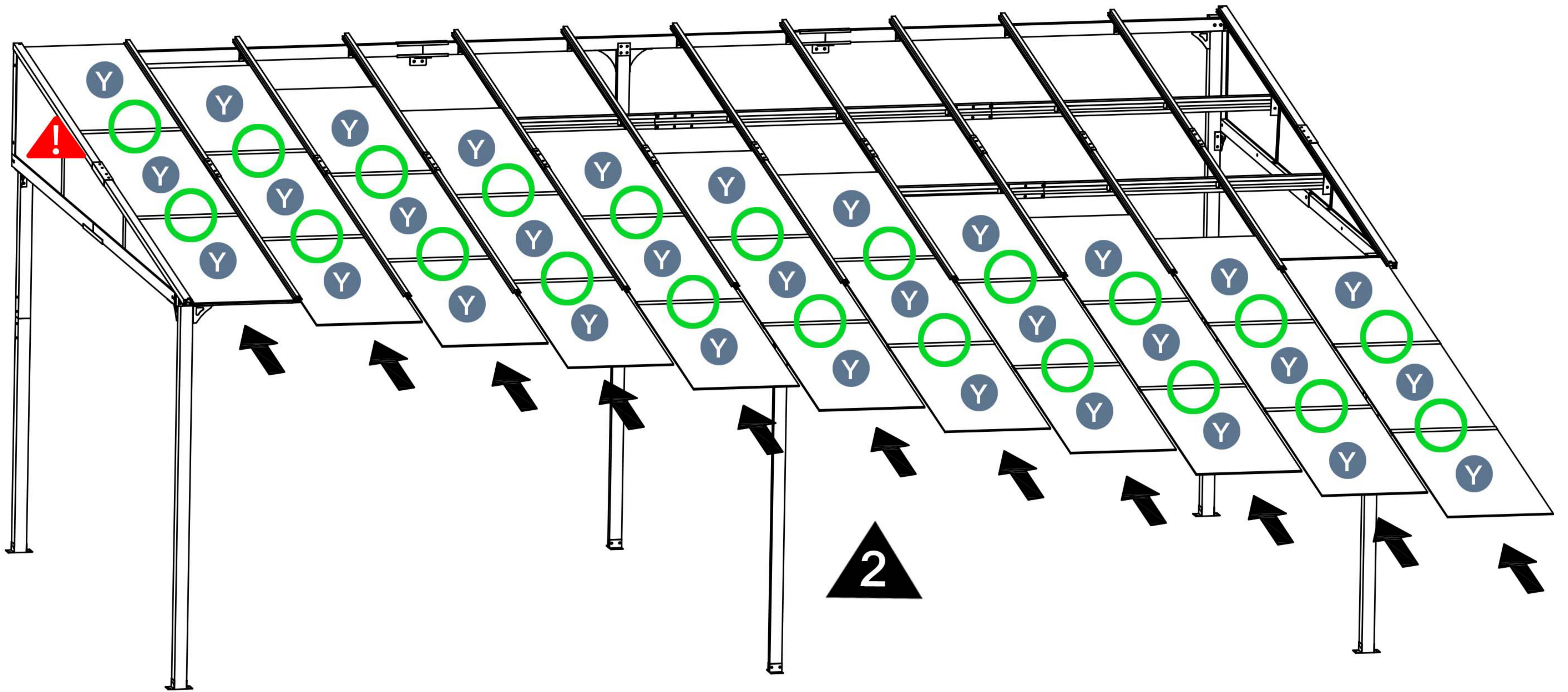



Y 33pcs



I 22pcs

1 → 2



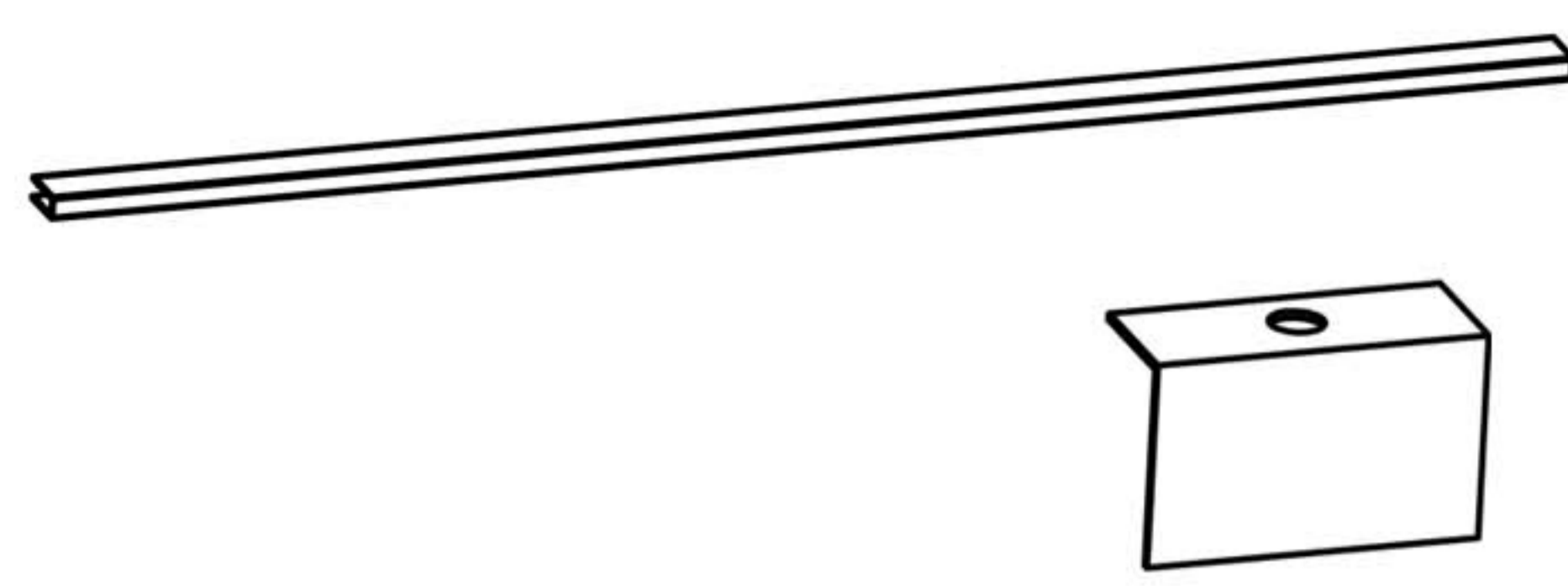
 Attention! In this step of installation, the wide edge is up, and the short side is up, there will be water leakage.

Please take care of the screws and contact the after-sales service if there is any problem with the installation or parts.

  E-mail: cs.helper01@gmail.com

STEP 18

Parts required

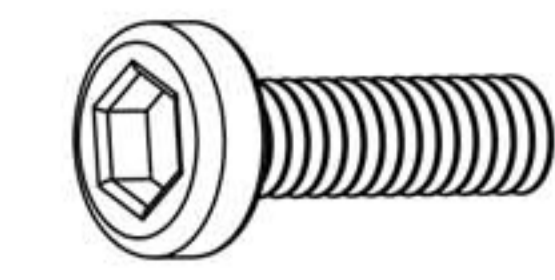


G 22pcs



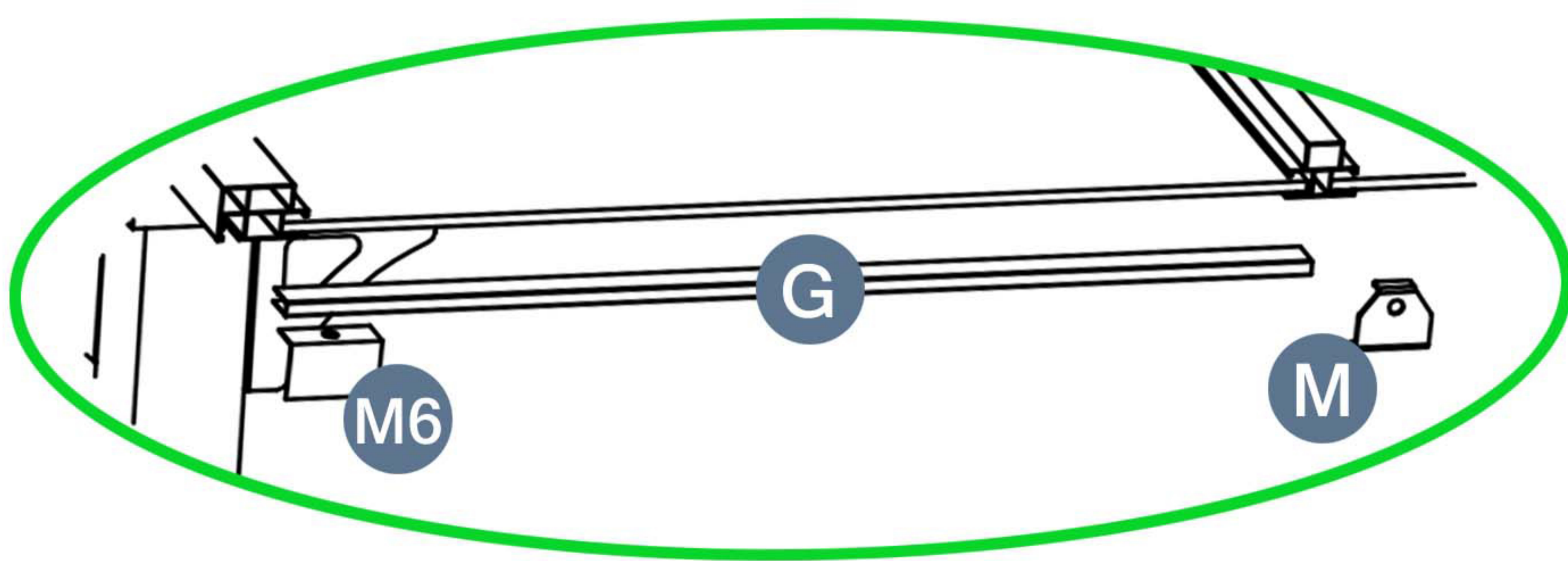
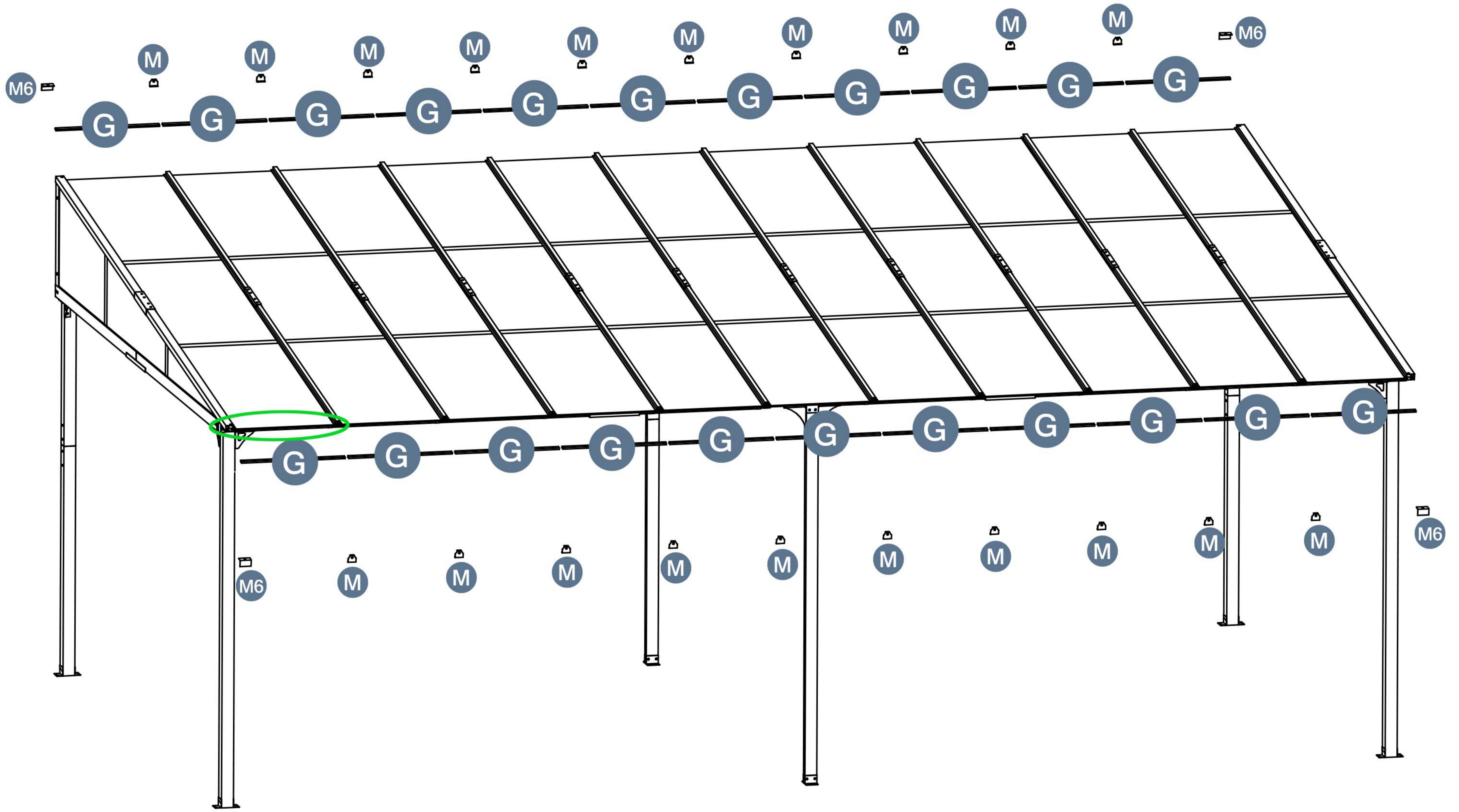
M 20pcs

M6 4pcs

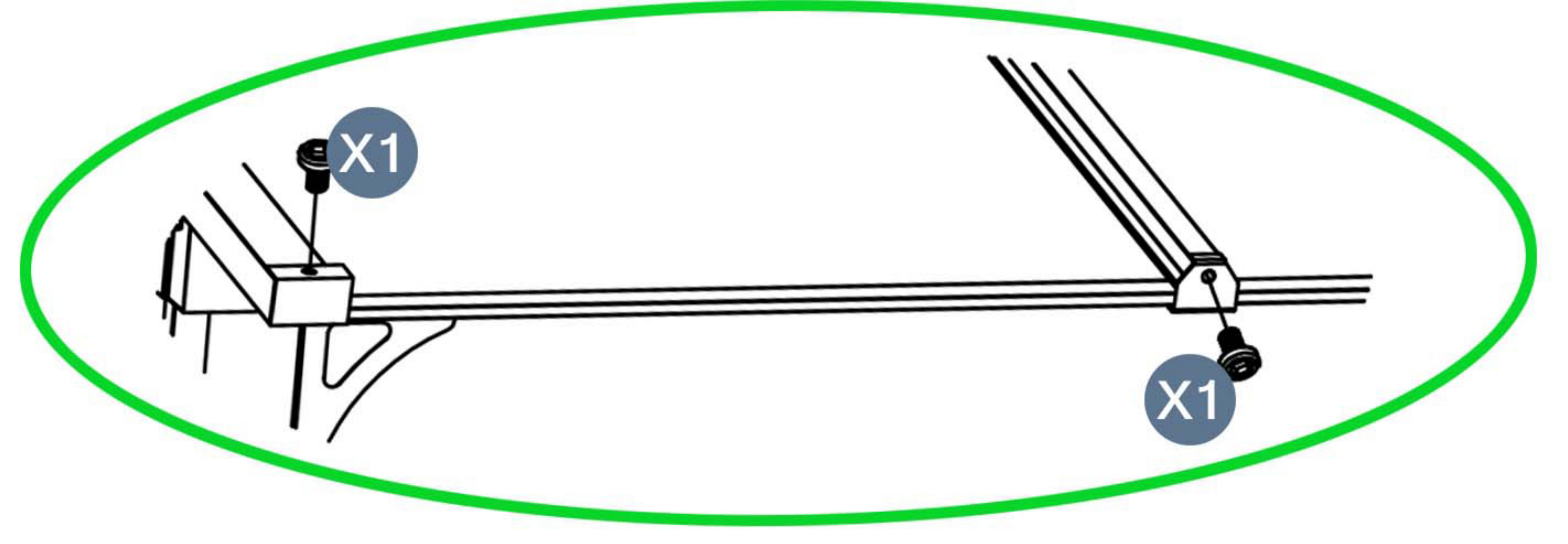


X1 24pcs

1 → 2



1



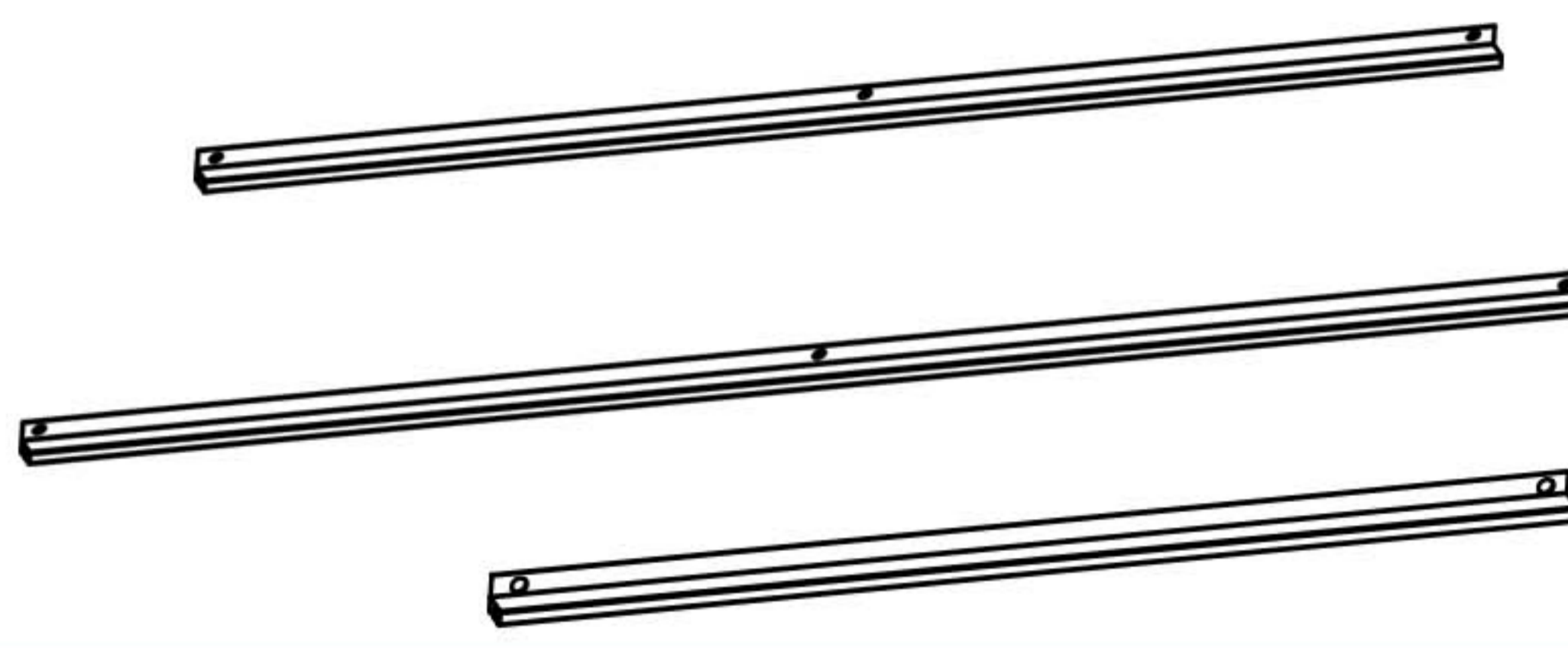
2

Please take care of the screws and contact the after-sales service if there is any problem with the installation or parts.

➔ ✉ E-mail: cs.helper01@gmail.com

STEP 19

Parts required



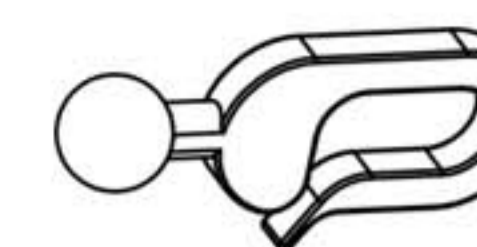
S 4pcs

W 2pcs

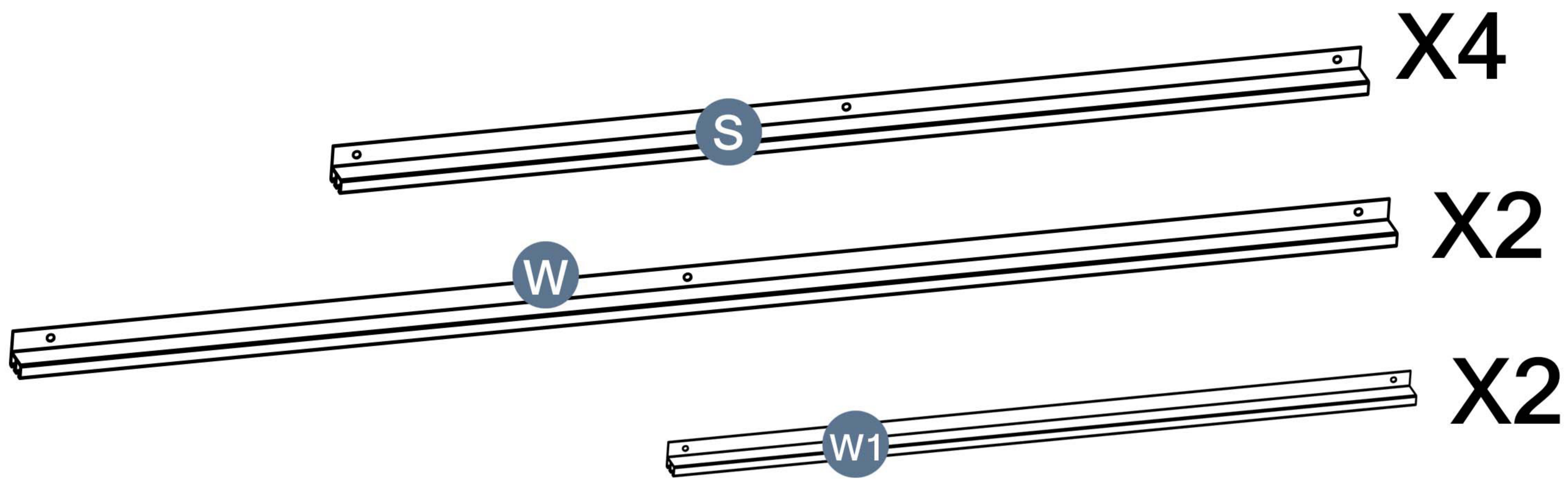
W1 2pcs



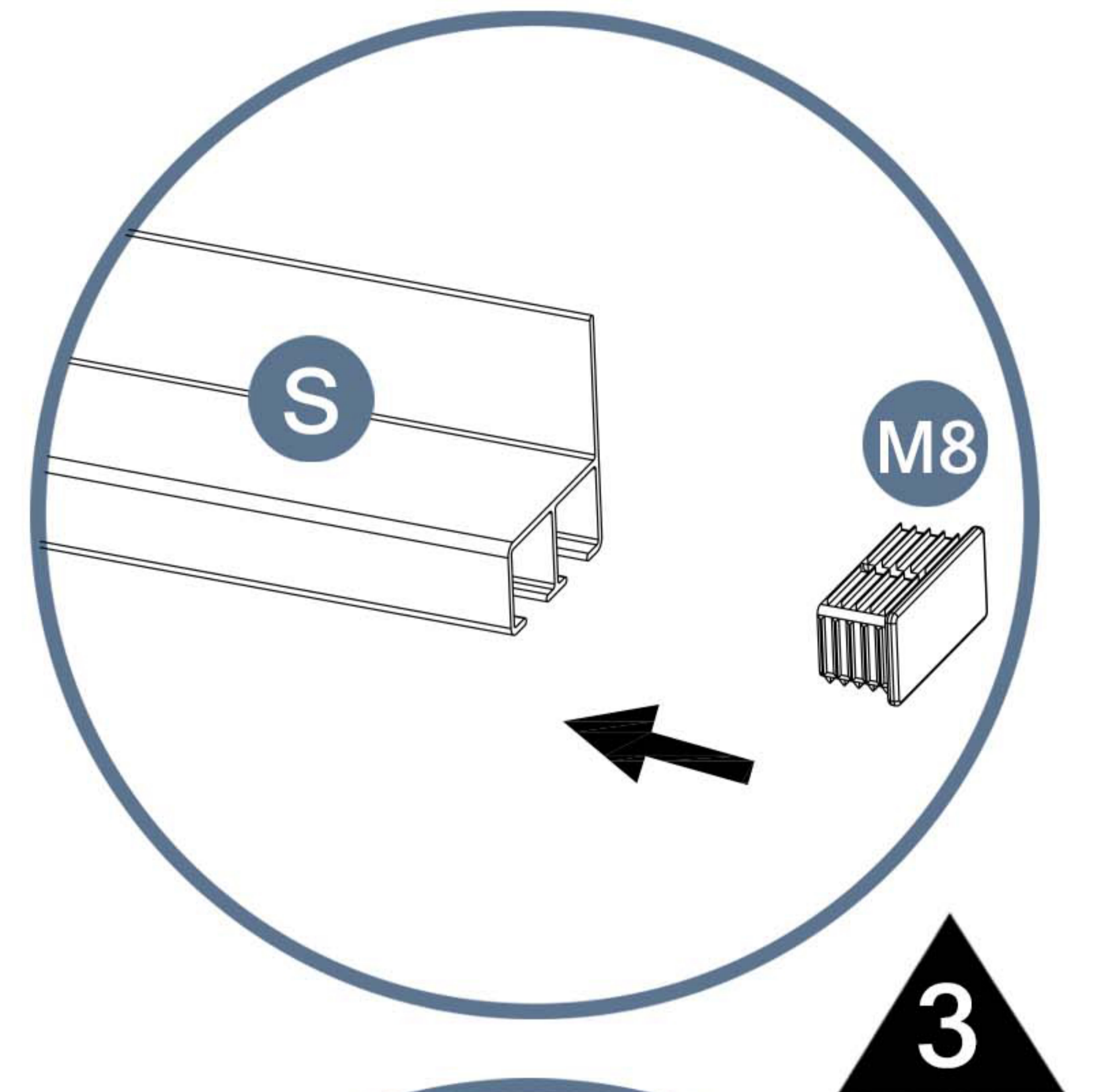
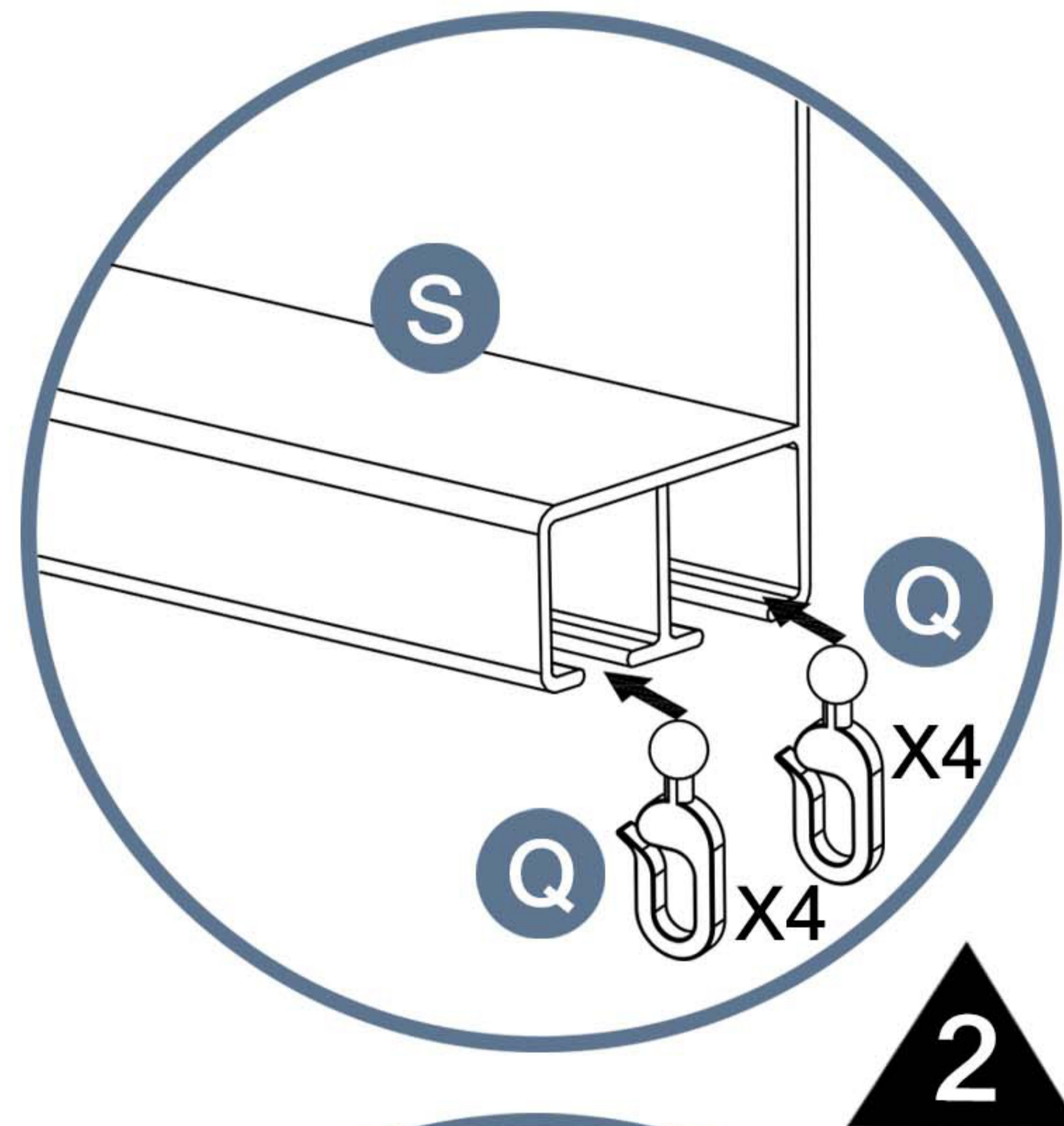
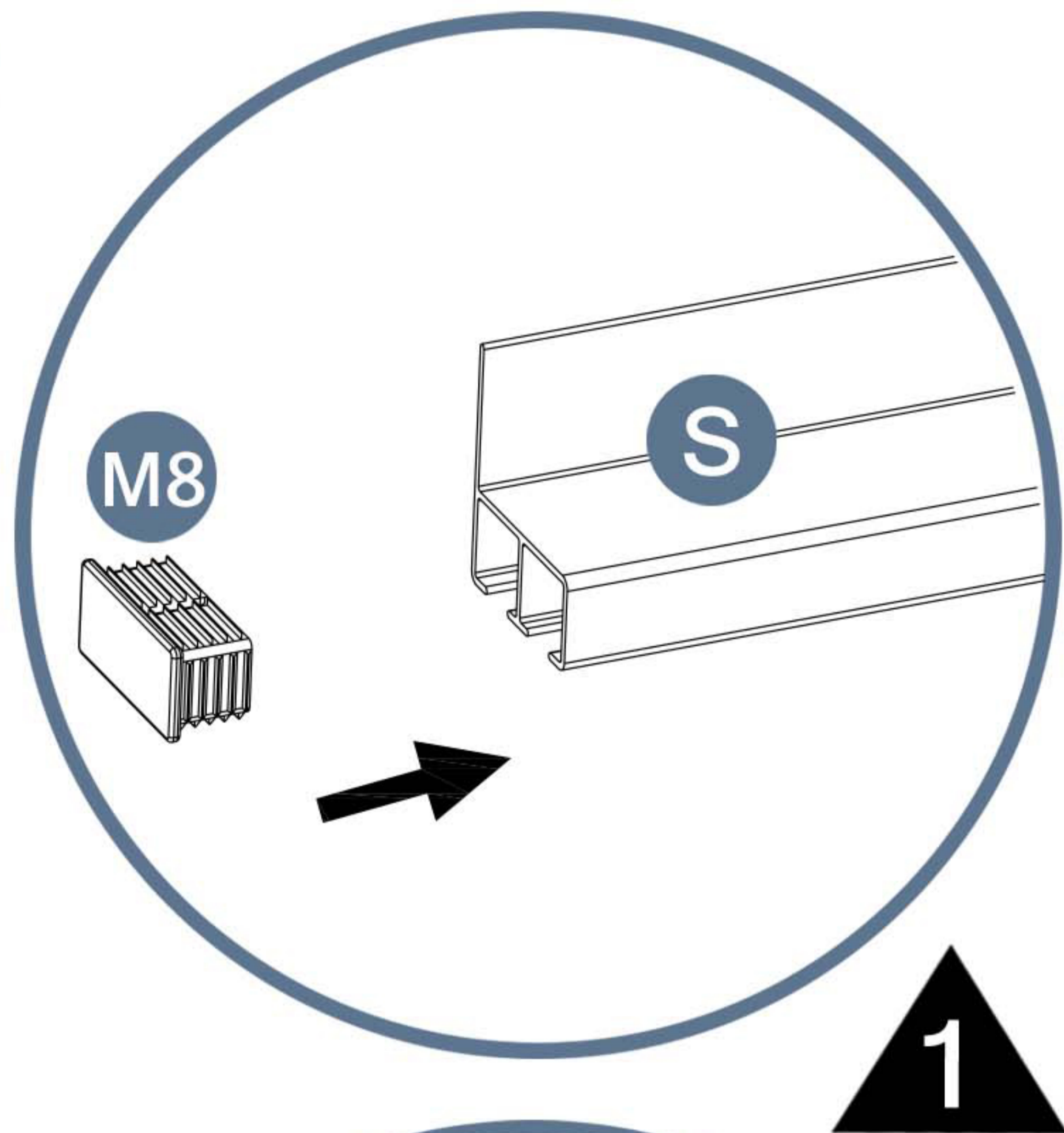
M8 16pcs



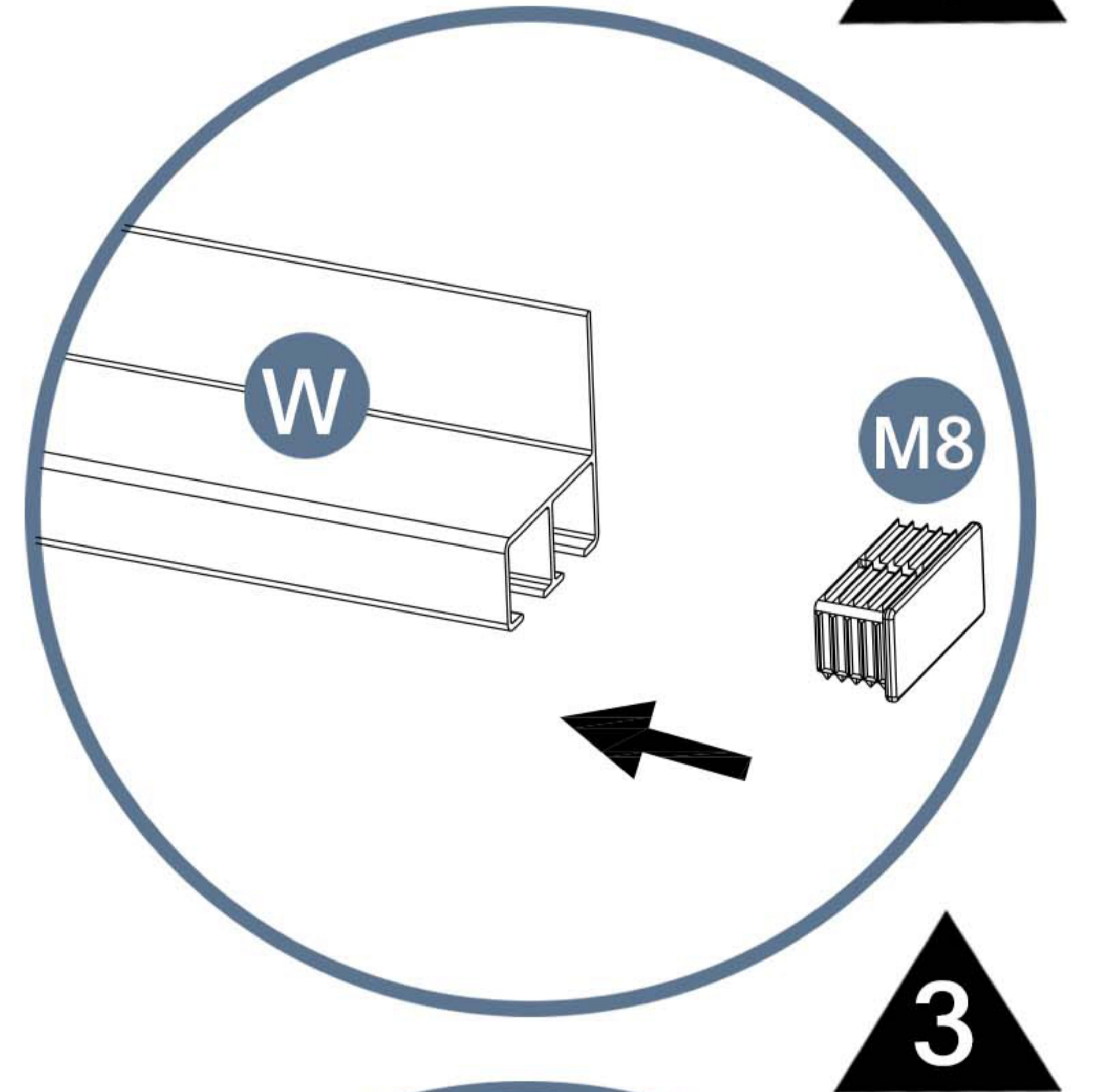
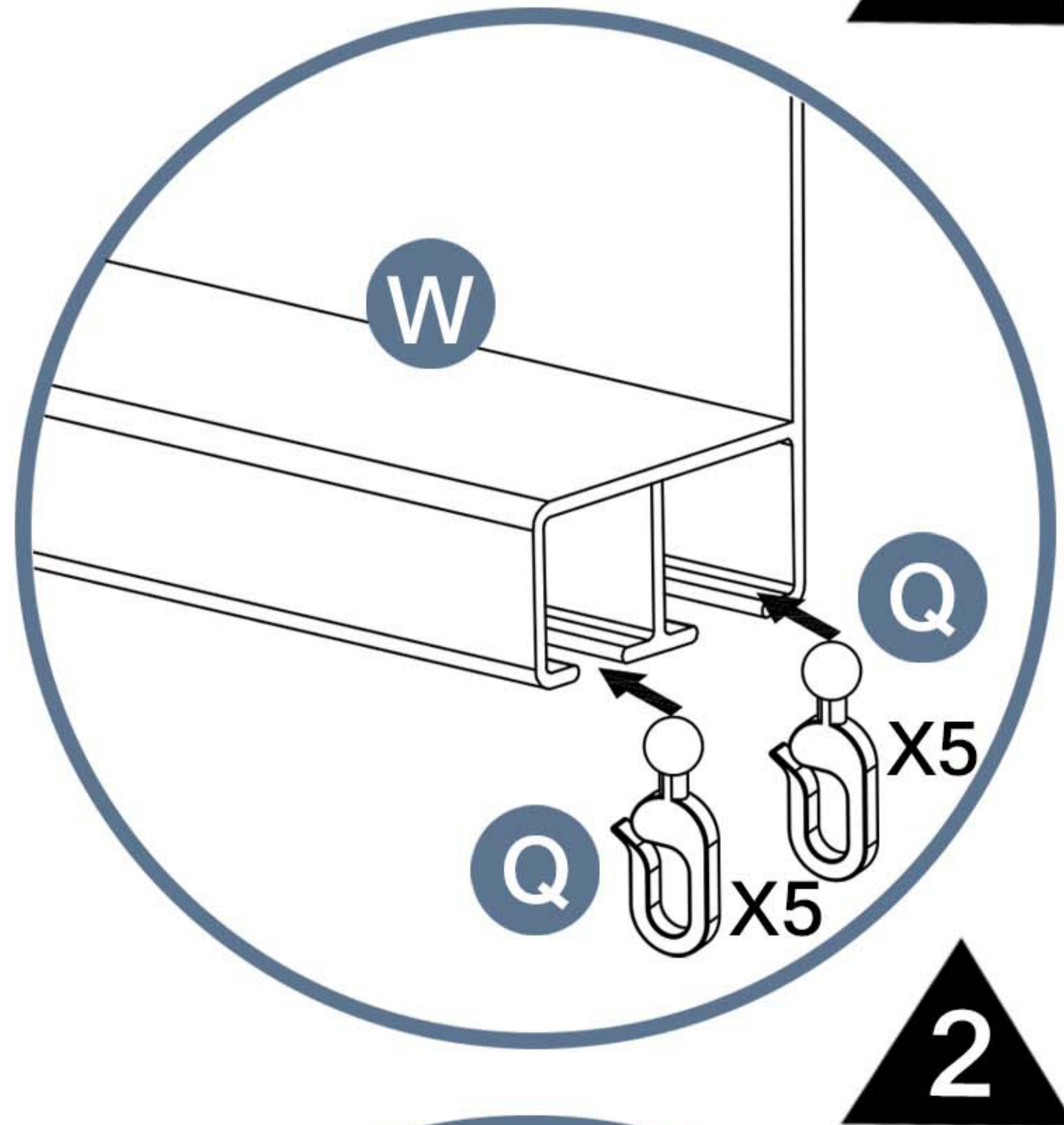
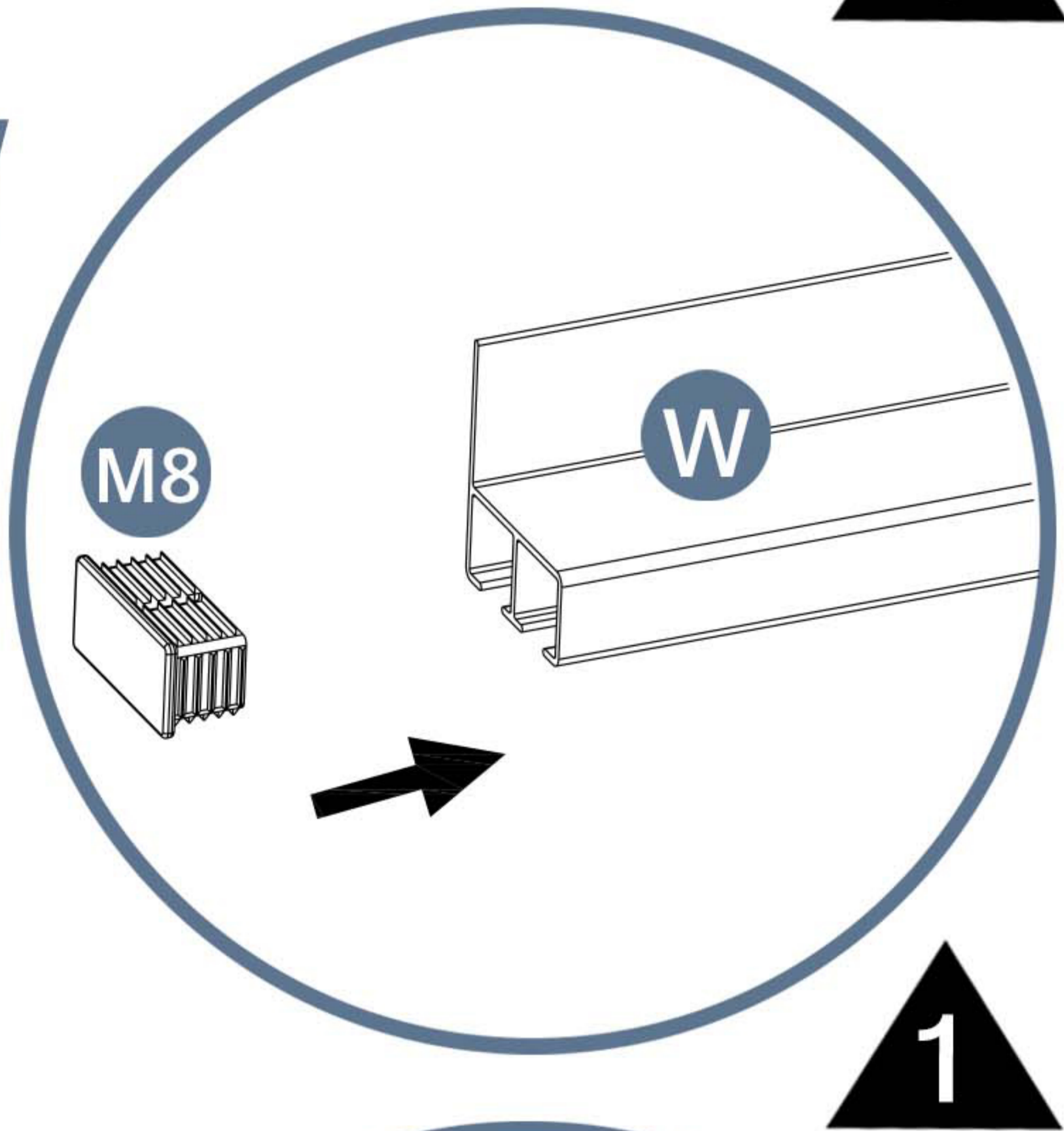
Q 64pcs



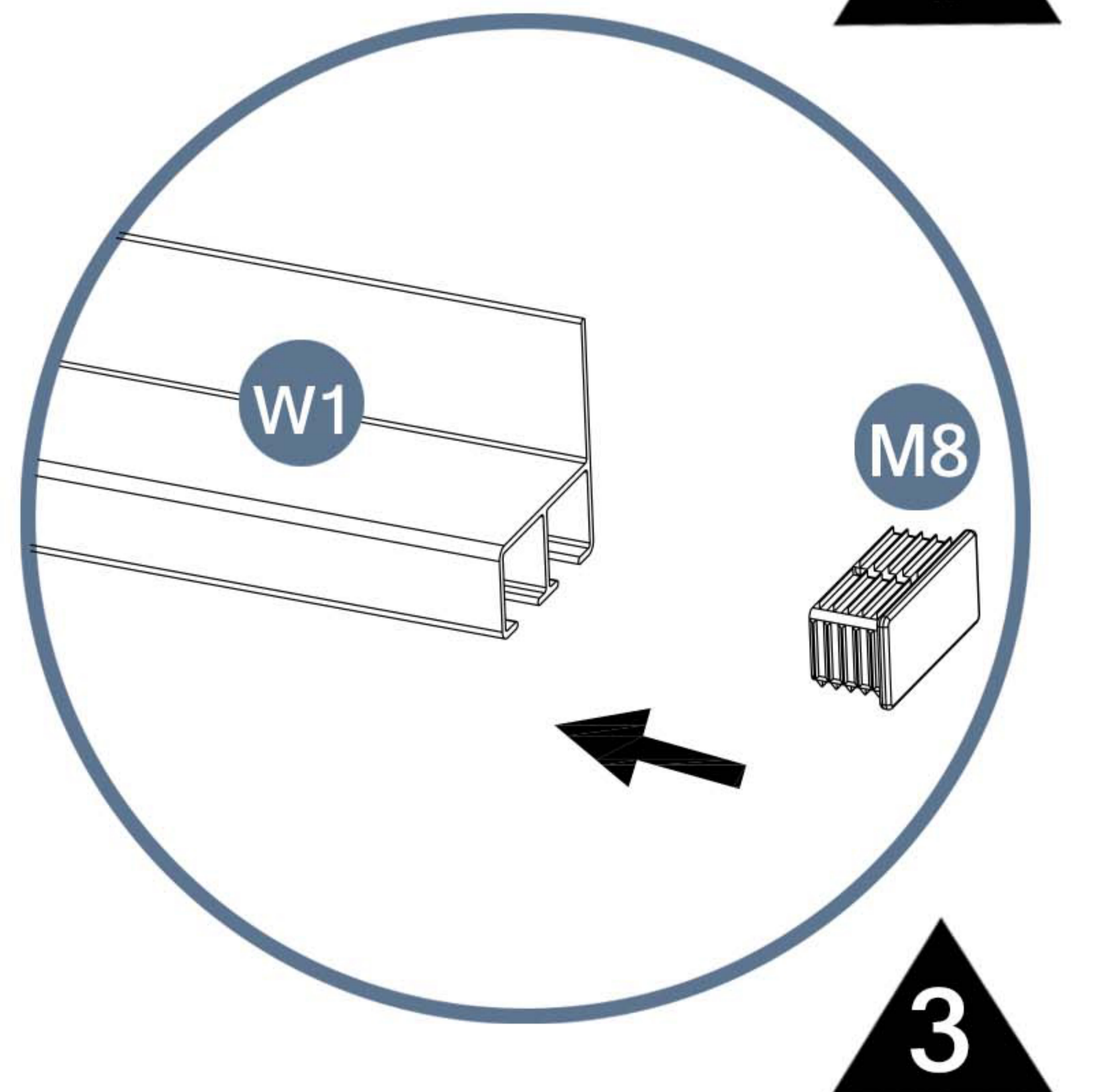
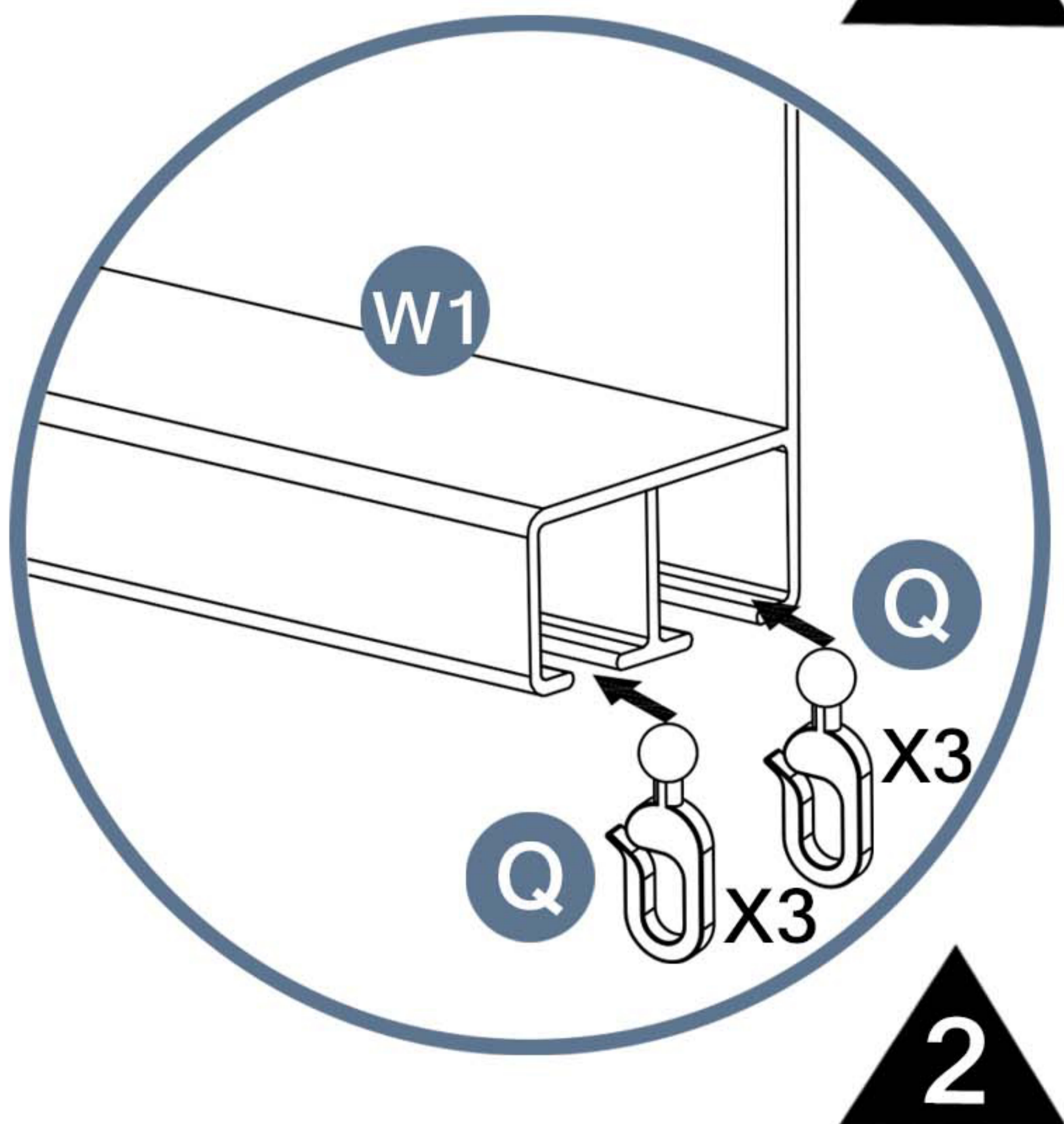
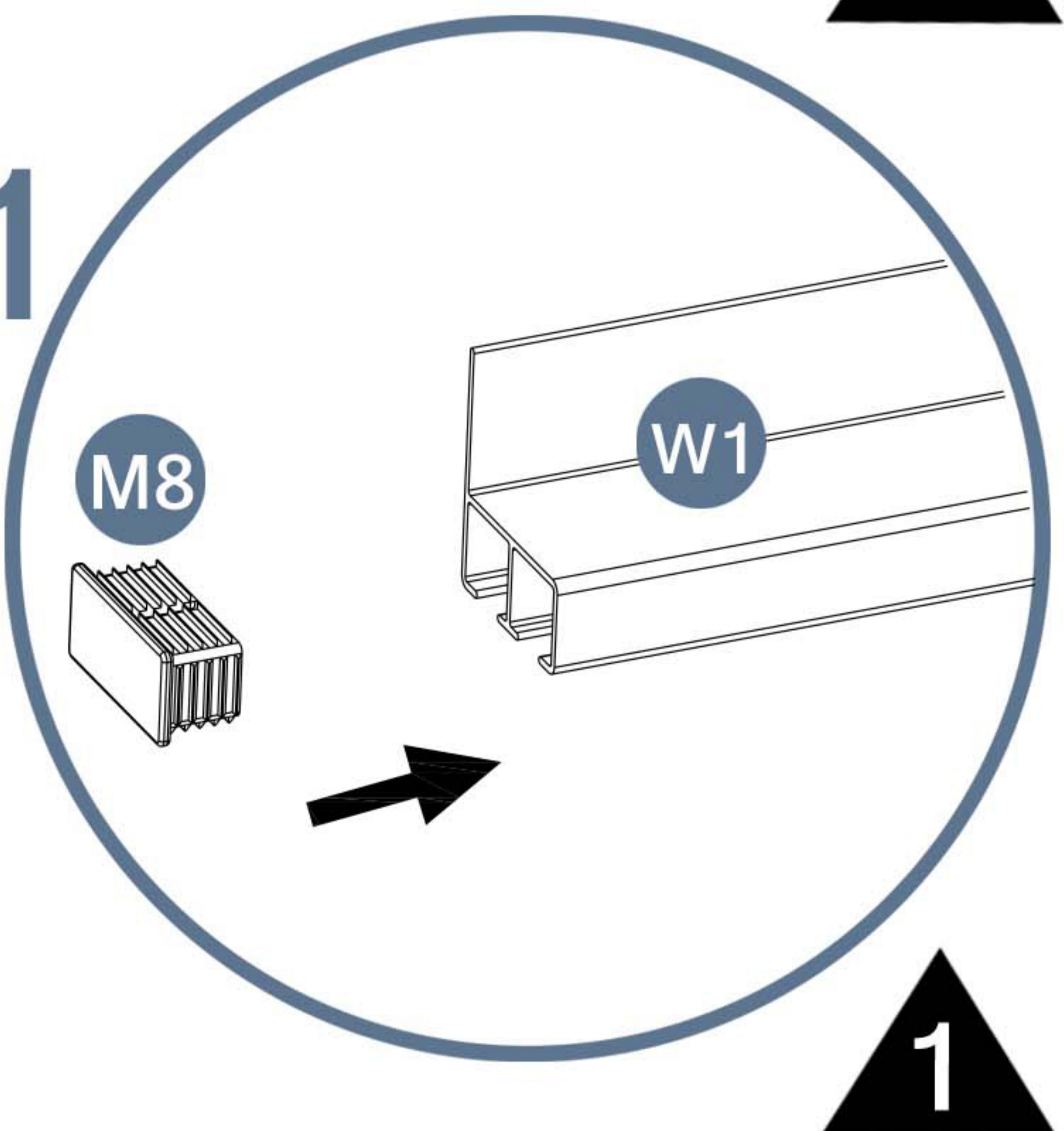
S



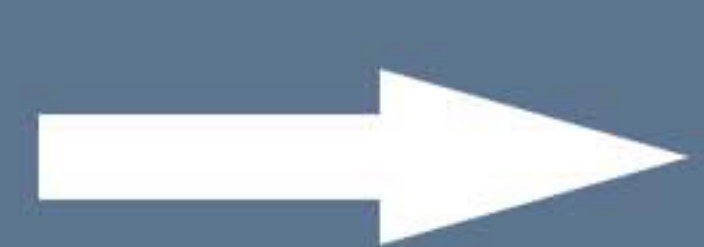
W



W1



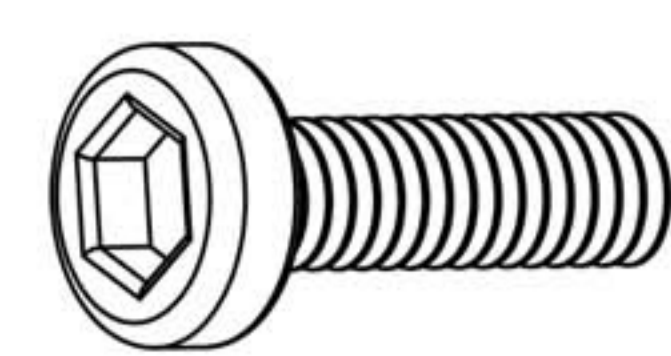
Please take care of the screws and contact the after-sales service if there is any problem with the installation or parts.



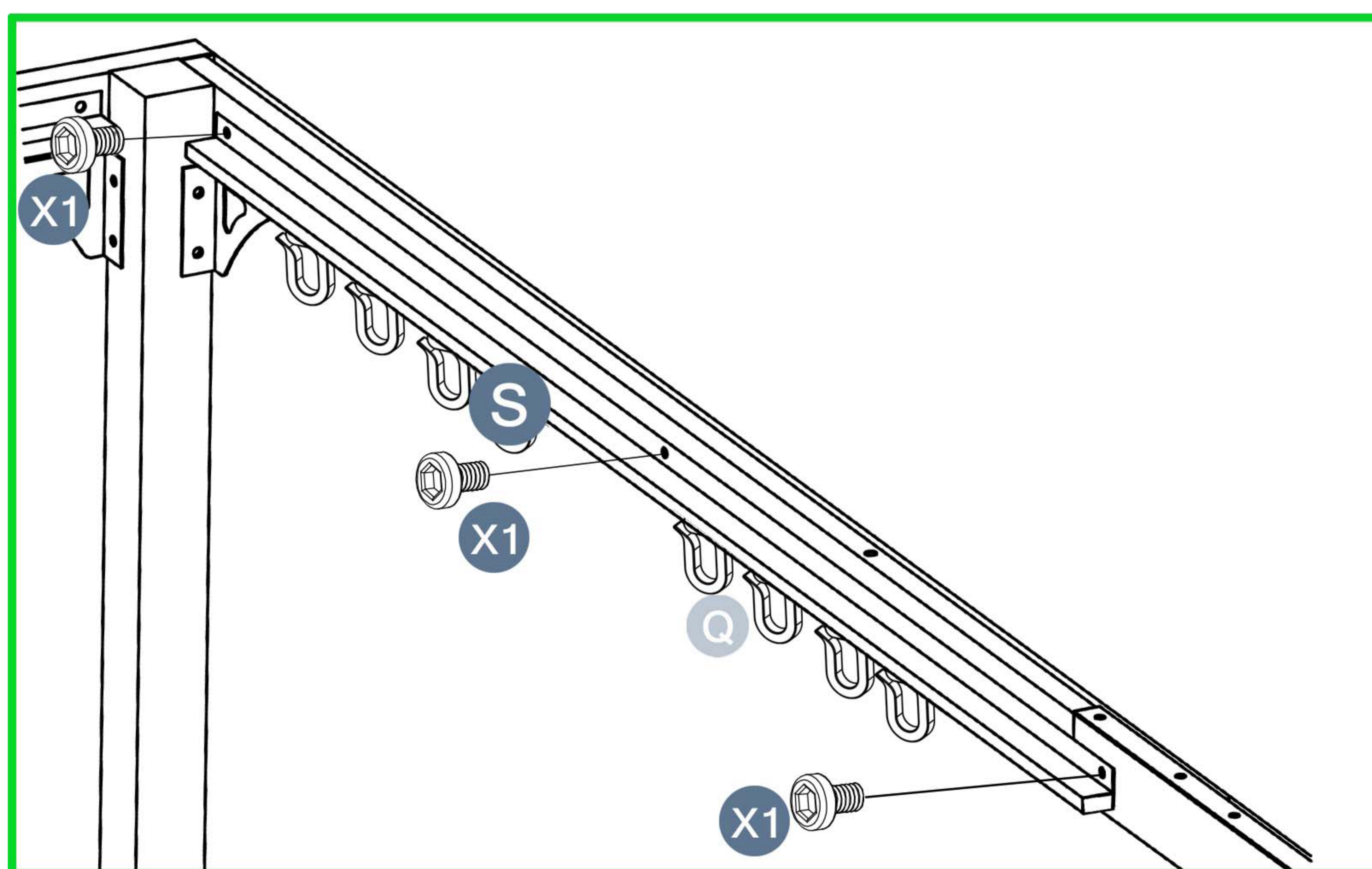
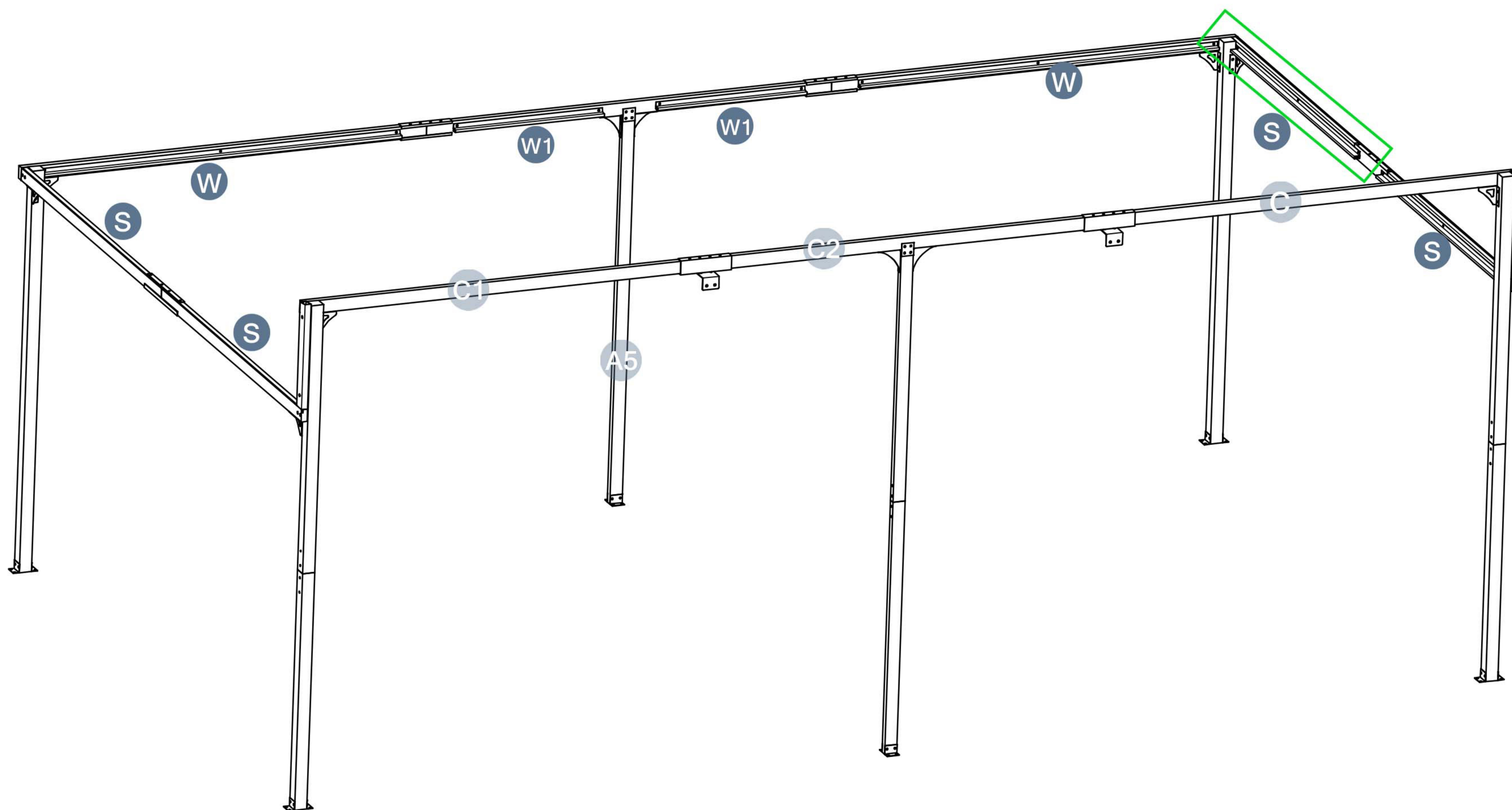
E-mail: cs.helper01@gmail.com

STEP 20


Parts required



X1 22pcs



The reference is shown in the picture.

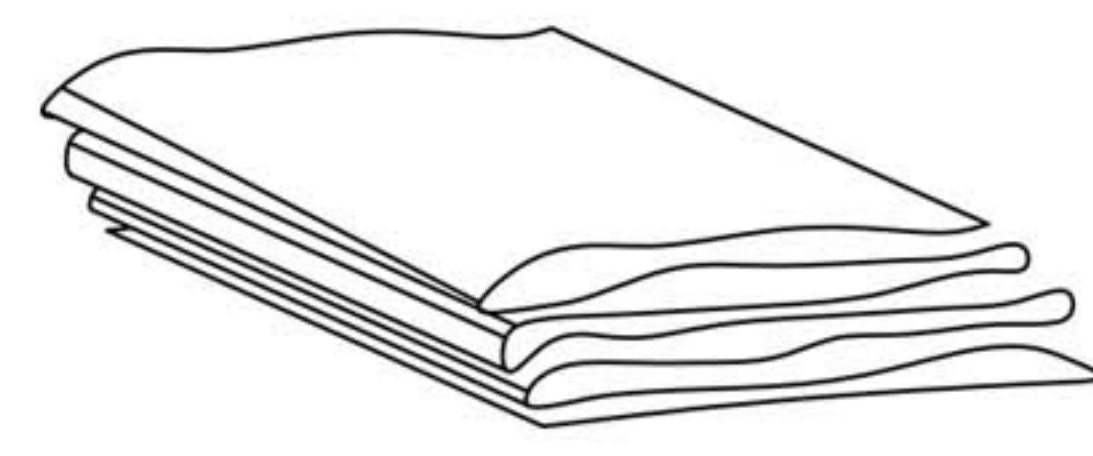
 The same installation method, install the **S**、**W** and **W1** tubes on the bracket.

Please take care of the screws and contact the after-sales service if there is any problem with the installation or parts.

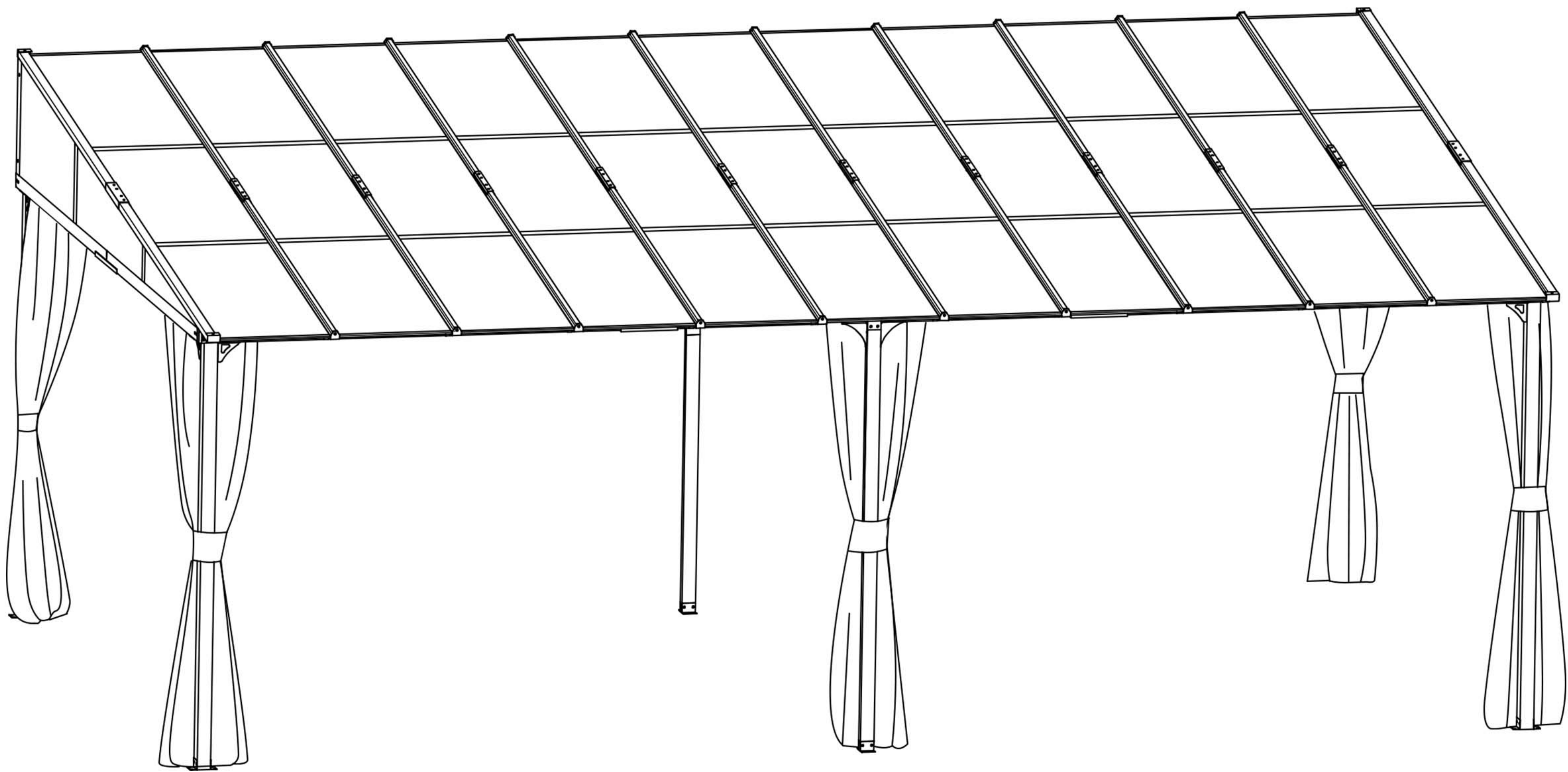
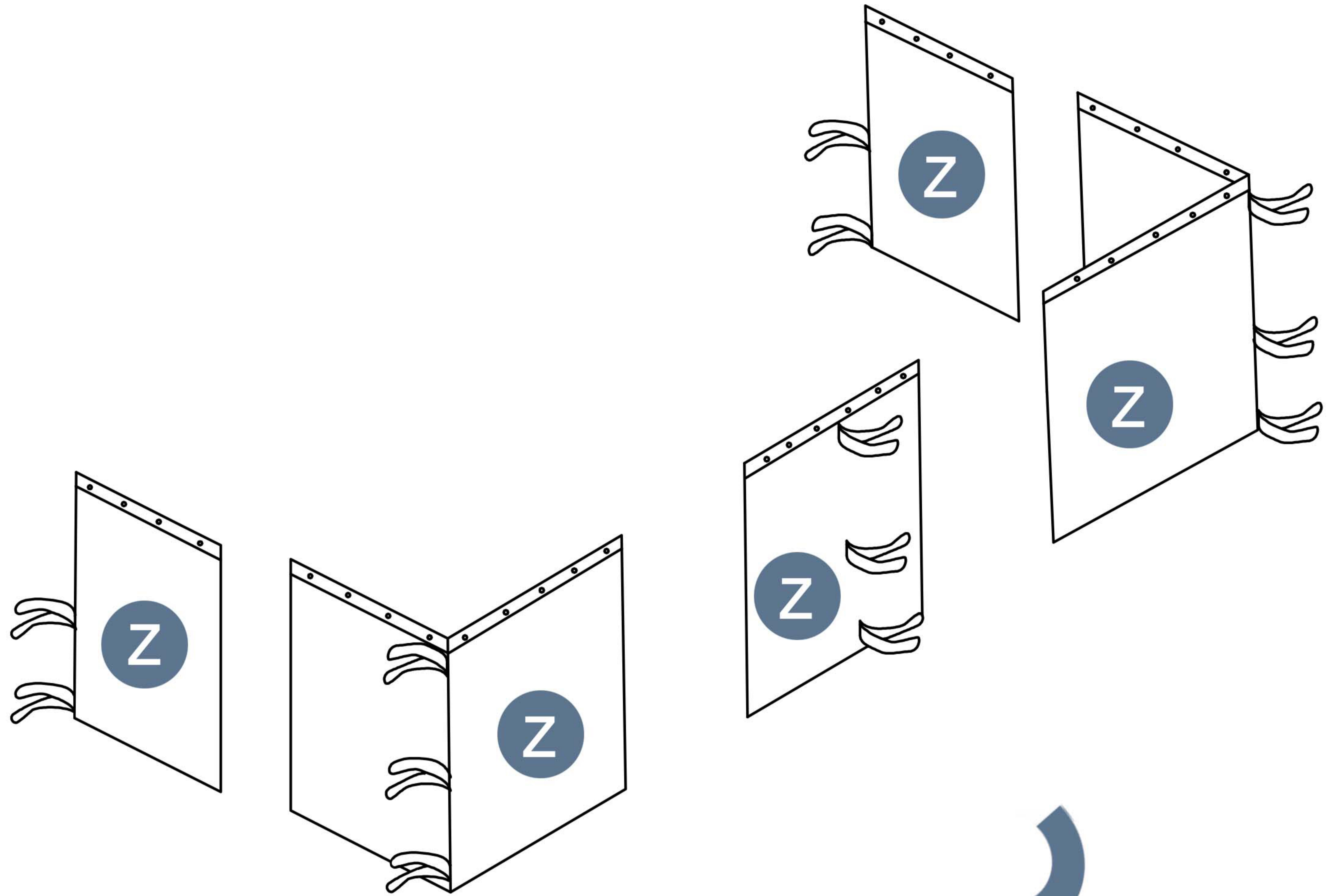
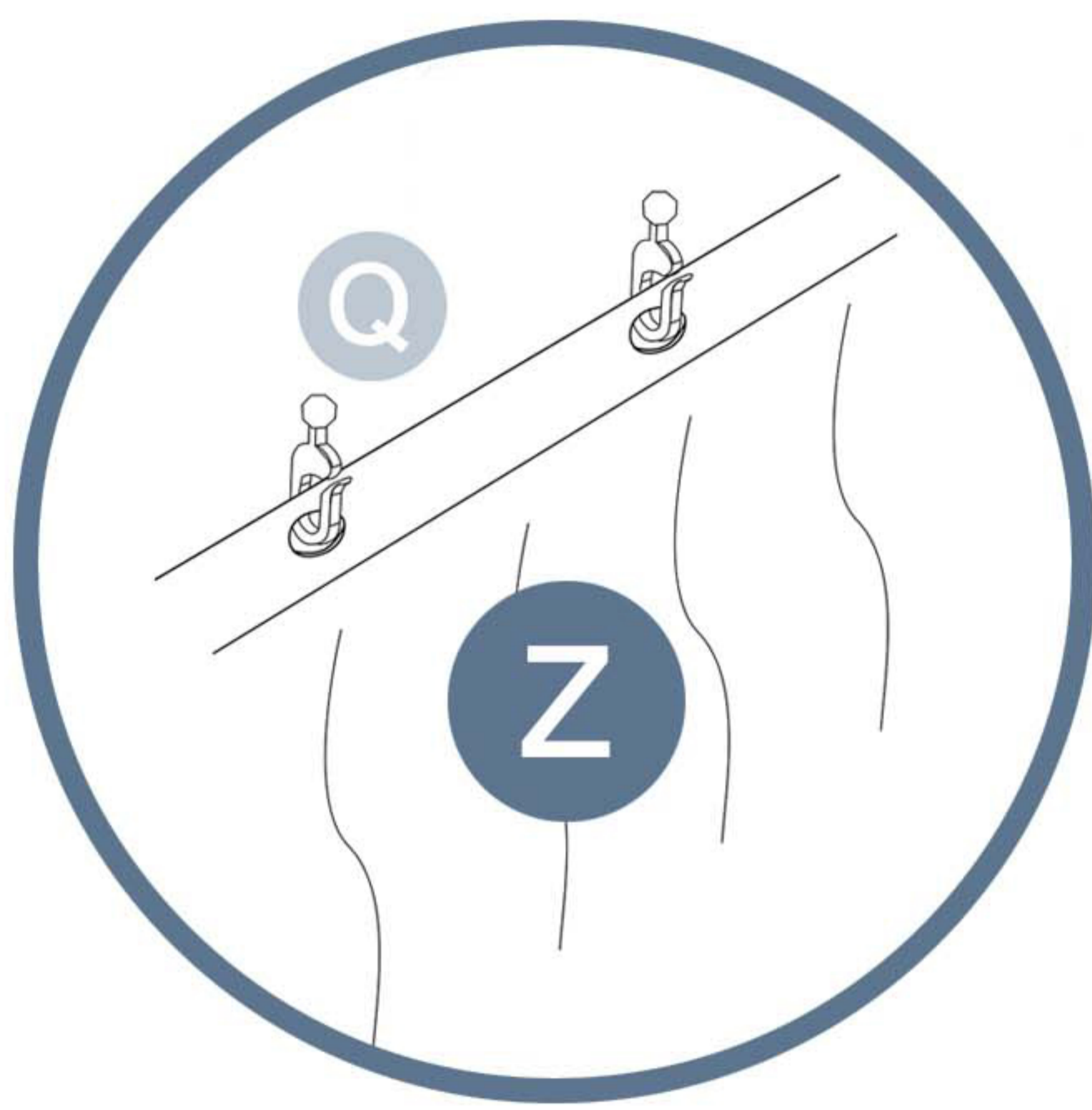
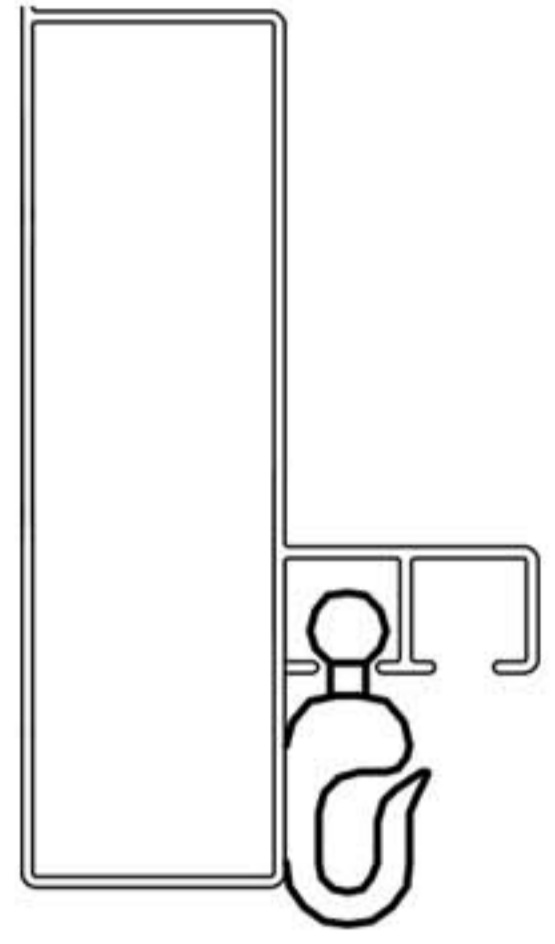
  E-mail: cs.helper01@gmail.com

STEP 21

Parts required



Z 1pcs

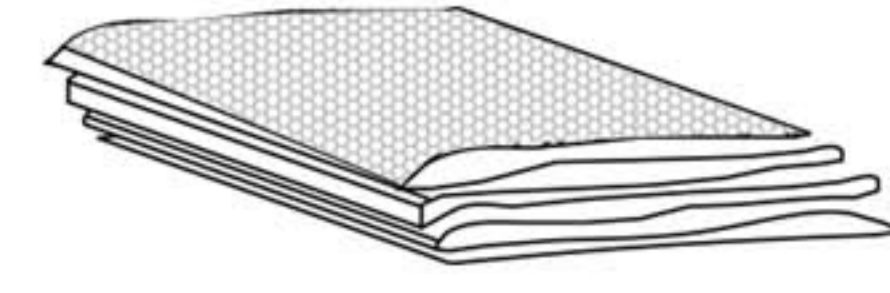


Please take care of the screws and contact the after-sales service if there is any problem with the installation or parts.

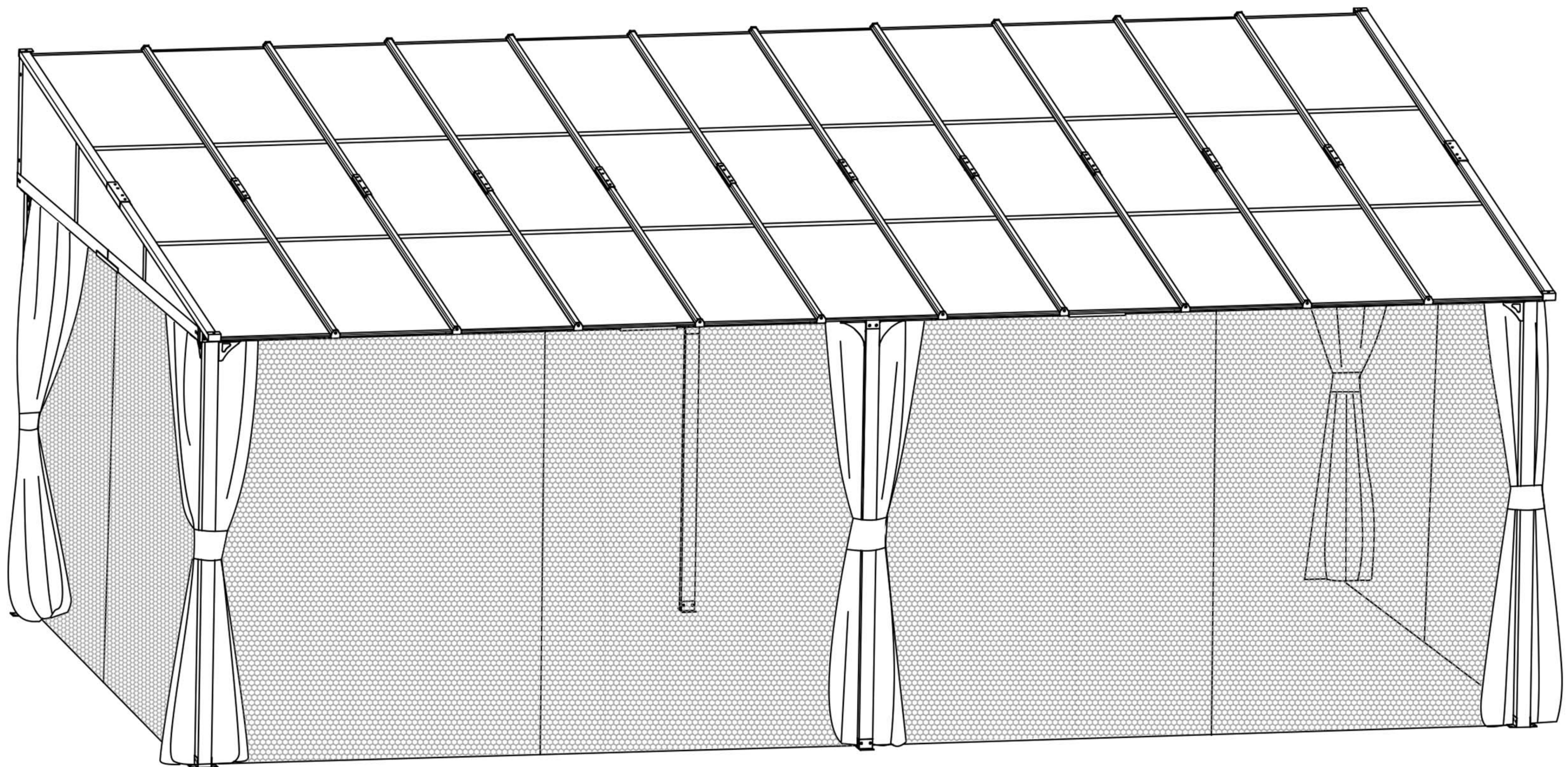
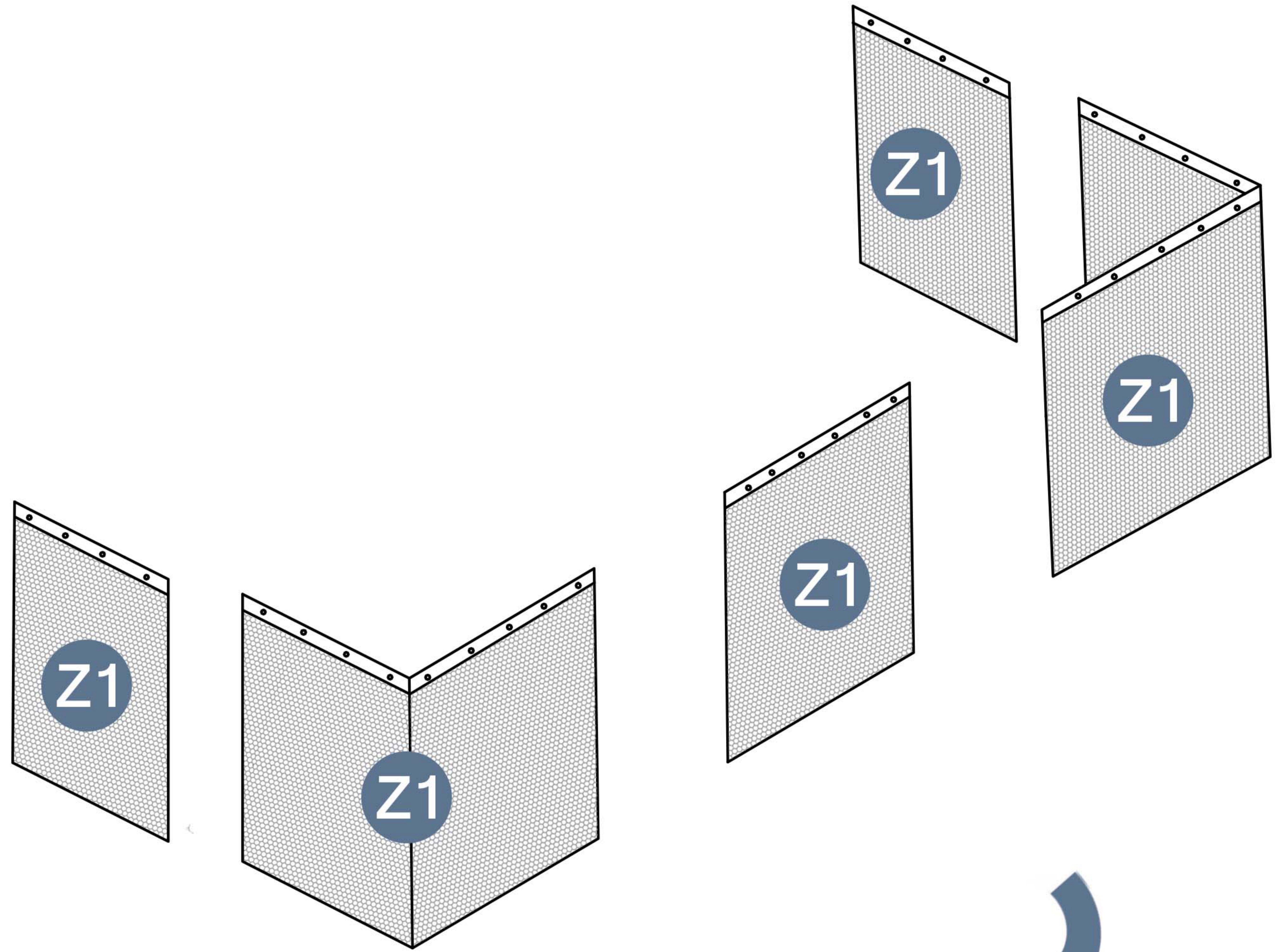
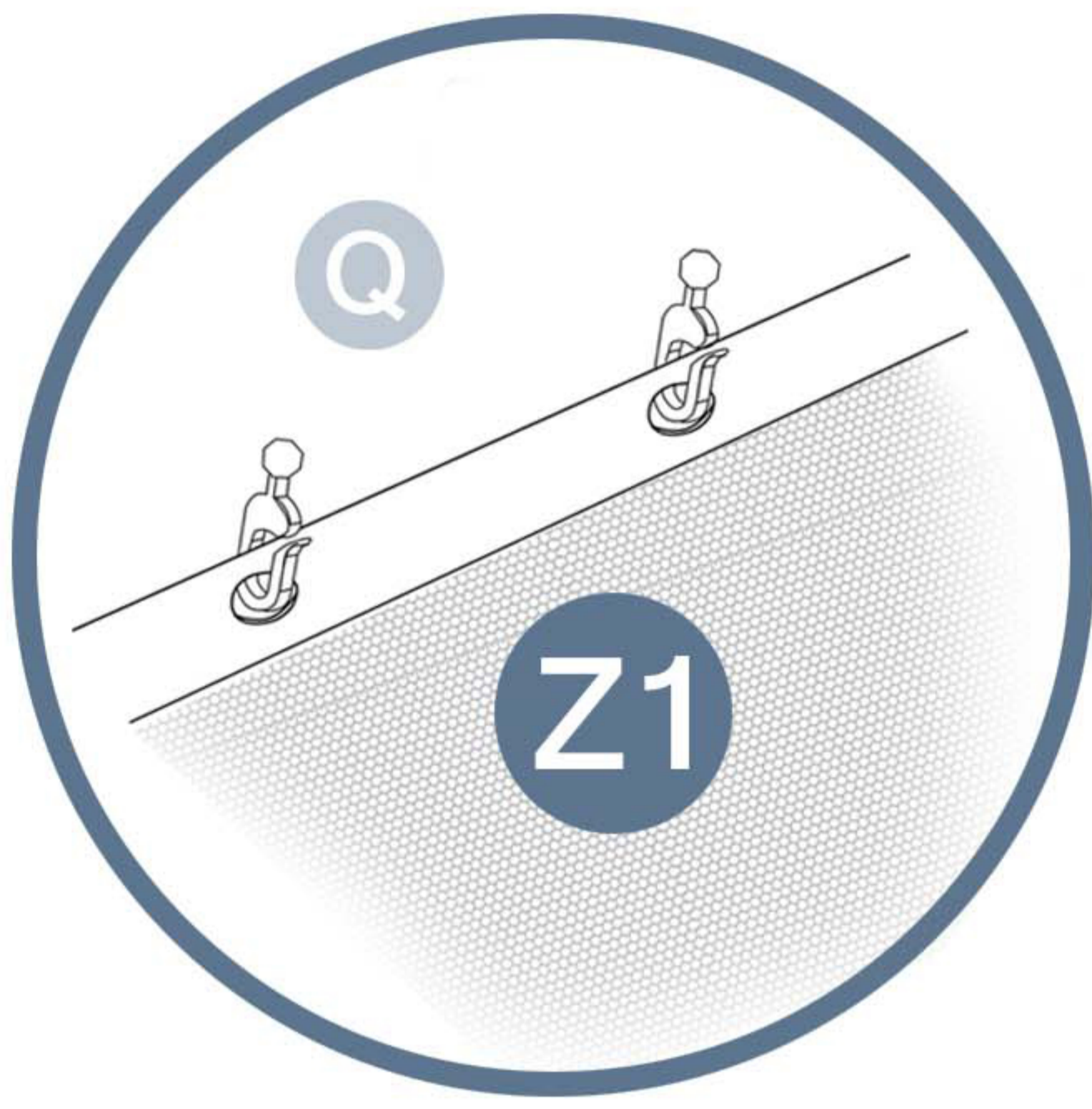
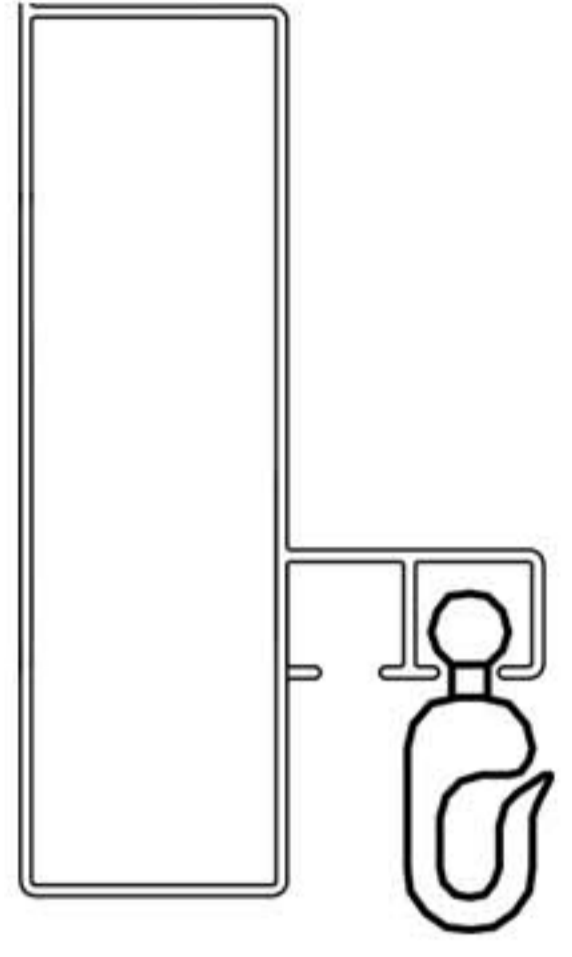
➔ ✉ E-mail: cs.helper01@gmail.com

STEP 22

Parts required



Z1 1pcs

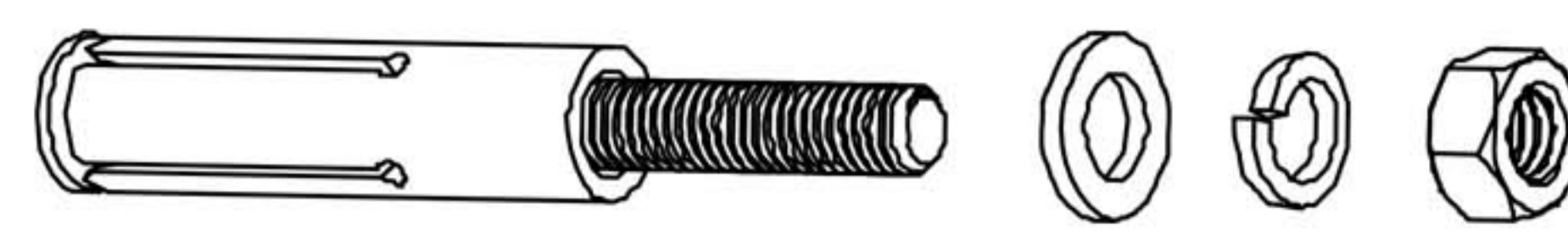


Please take care of the screws and contact the after-sales service if there is any problem with the installation or parts.

➔ ✉ E-mail: cs.helper01@gmail.com

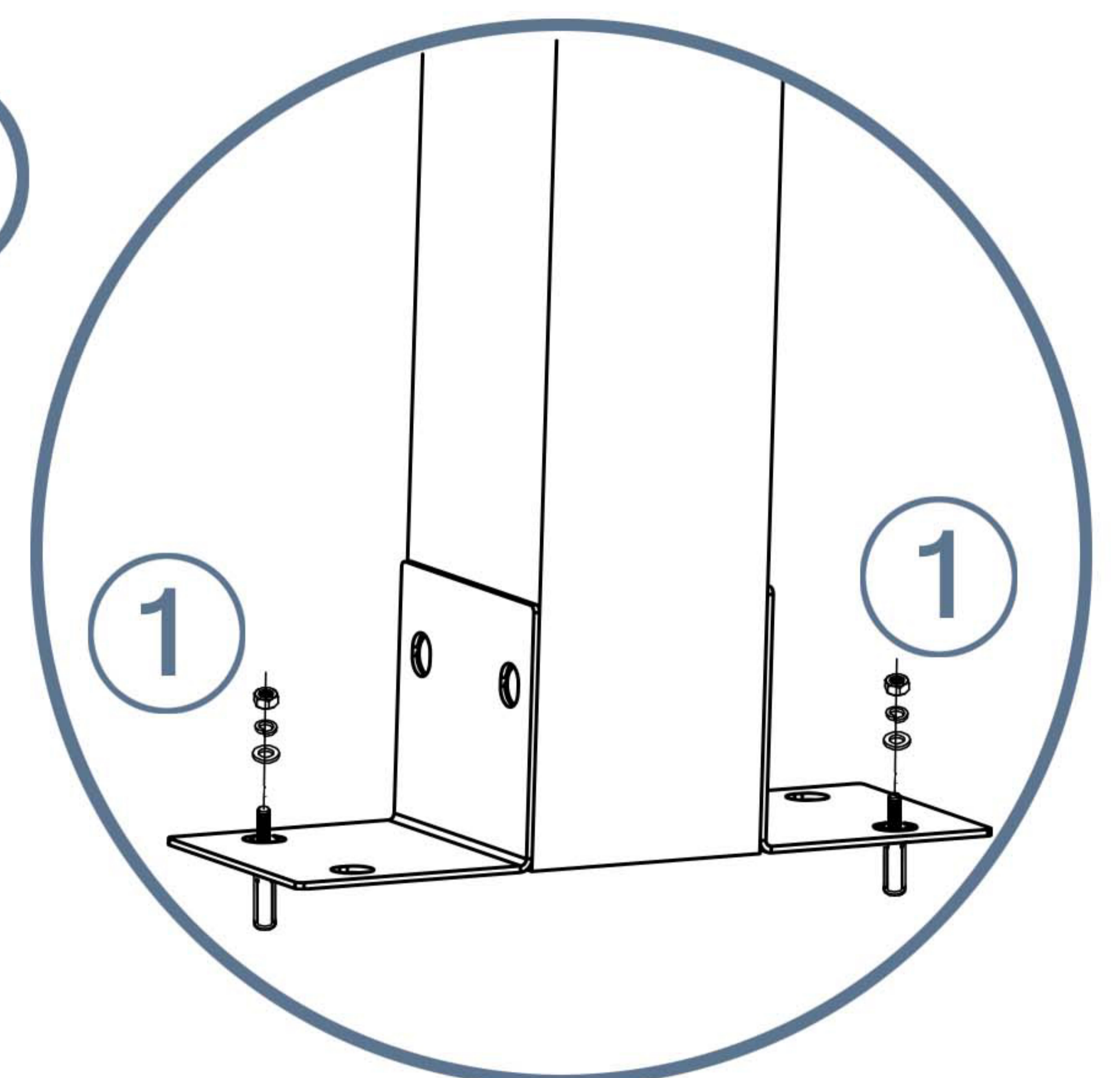
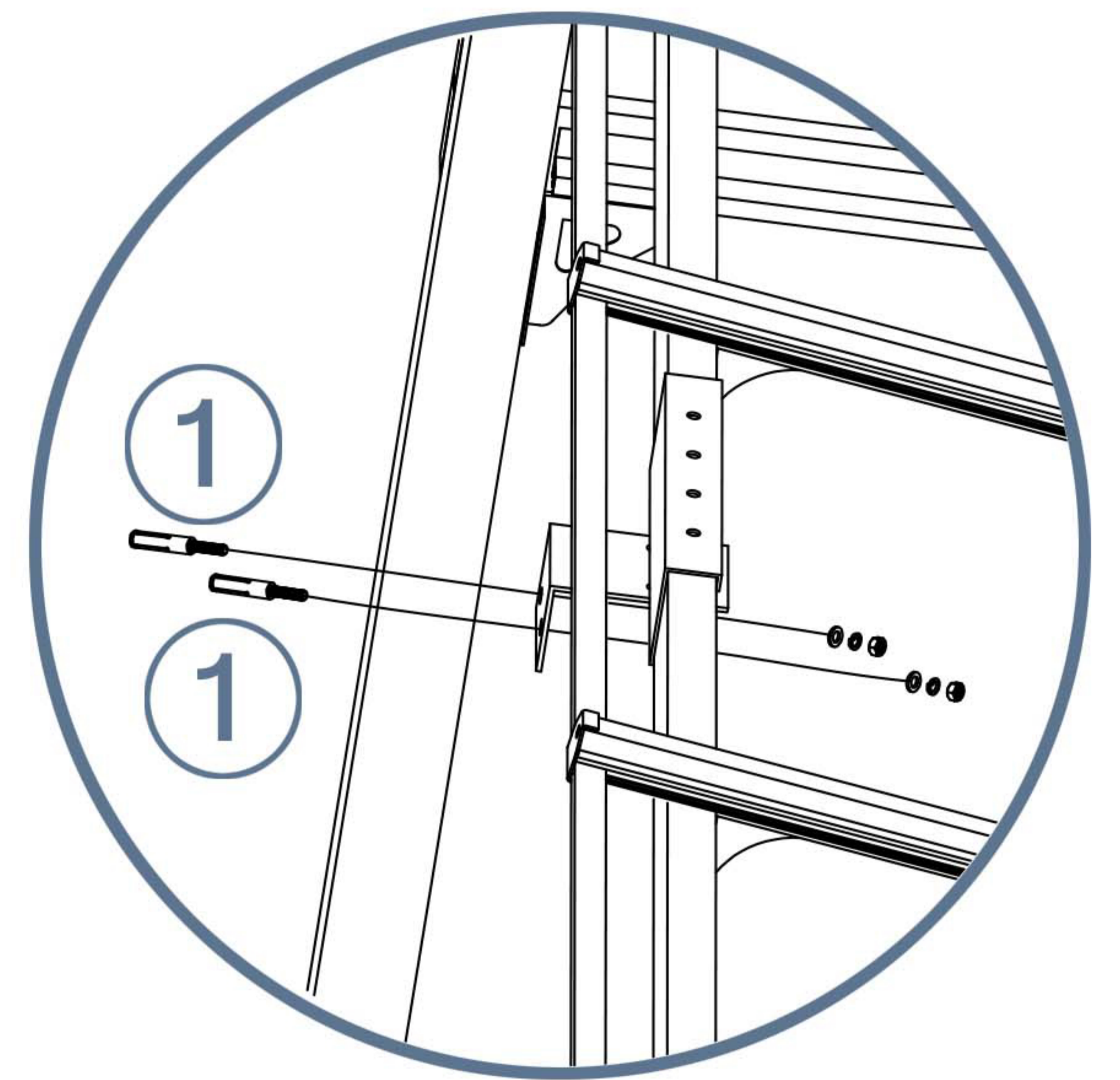
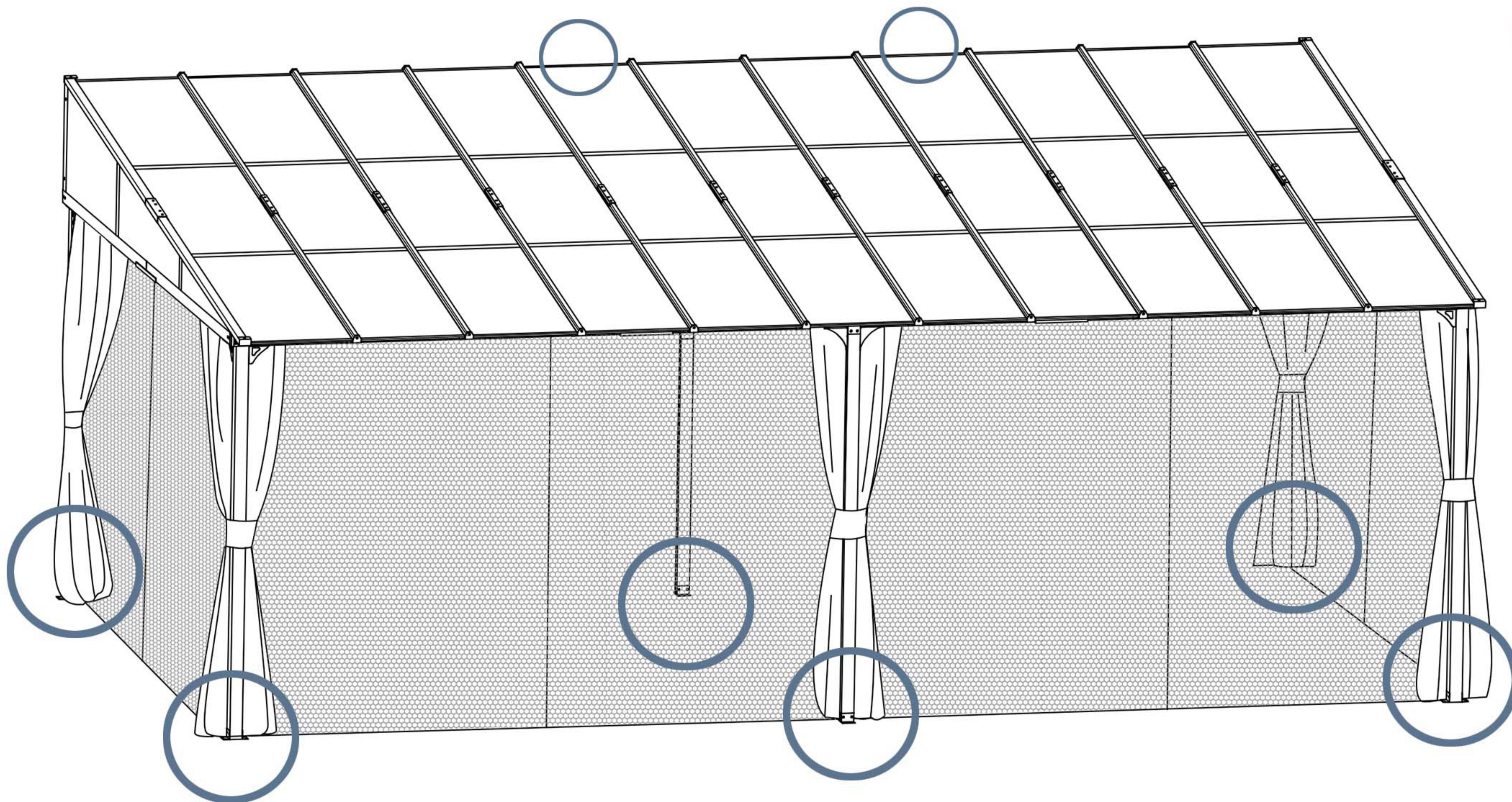
STEP 23

Parts required



① 16pcs

To improve stability of gazebo, expansion screws very necessary. Expansion screws use for cement surfaces and have included in the package.



!!! For safety's stake, please check and make sure that all screws are tightened after all installation is complete.

Installation Completed

Please take care of the screws and contact the after-sales service if there is any problem with the installation or parts.

➔ ✉ E-mail: cs.helper01@gmail.com