

CRAFTSMAN®

INSTRUCTION MANUAL | MANUAL DE INSTRUCCIONES | MANUEL D'UTILISATION

9 U.S. GALLON* WET/DRY VAC

ASPIRADORA EN SECO/MOJADO DE

9 GALONES* ESTADOUNIDENSES

ASPIRATEUR EAU ET POUSSIÈRES DE

9 GALLONS*

CMXEVCVVJF910



IF YOU HAVE QUESTIONS OR COMMENTS, CONTACT US.

SI TIENE PREGUNTAS O COMENTARIOS, CONTÁCTENOS.

SI VOUS AVEZ DES QUESTIONS OU DES COMMENTAIRES, VEUILLEZ COMMUNIQUER AVEC NOUS.

1-888-331-4569

WWW.CRAFTSMAN.COM

VJF910PF

Definitions: Safety Alert Symbols and Words

This instruction manual uses the following safety alert symbols and words to alert you to hazardous situations and your risk of personal injury or property damage.

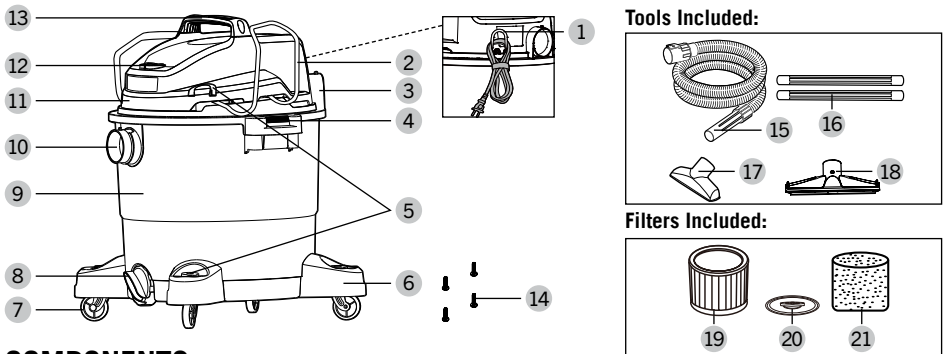
⚠ DANGER: Indicates an imminently hazardous situation which, if not avoided, **will** result in **death or serious injury**.

⚠ WARNING: Indicates a potentially hazardous situation which, if not avoided, **could** result in **death or serious injury**.

⚠ CAUTION: Indicates a potentially hazardous situation which, if not avoided, **may** result in **minor or moderate injury**.

⚠ (Used without word) Indicates a safety related message.

NOTICE: Indicates a practice **not related to personal injury** which, if not avoided, **may** result in **property damage**.



COMPONENTS

- | | | | |
|----------------------|-------------------|--------------------------------|---------------------|
| 1 Power Cord Storage | 7 Caster | 13 Handle | 19 Cartridge Filter |
| 2 Hose Storage Rack | 8 Drain Port | 14 Screws (4) | 20 Filter Retainer |
| 3 Blower Port | 9 Collection Tank | 15 Hose | 21 Foam Wet Filter |
| 4 Latch | 10 Vacuum Port | 16 Extension Wands (2) | |
| 5 Accessory Storage | 11 Power Head | 17 Utility Nozzle | |
| 6 Caster Foot | 12 On/Off Switch | 18 Floor Brush/Squeegee Nozzle | |

⚠ WARNING: Read all safety warnings and all instructions. Failure to follow the warnings and instructions may result in electric shock, fire and/or serious injury.

⚠ WARNING: Never modify the product or any part of it. Damage or personal injury could result.

⚠ WARNING: To reduce the risk of injury, read the instruction manual.

If you have any questions or comments about this or any product, call CRAFTSMAN toll free at: 1-888-331-4569.

CMXEVCVVJF910

! DANGER: NEVER OPERATE THIS UNIT WHEN FLAMMABLE MATERIALS OR VAPORS ARE PRESENT. OPERATING THIS UNIT WHEN FLAMMABLE MATERIALS OR VAPORS ARE PRESENT COULD CAUSE A FIRE OR EXPLOSION.

! WARNING: READ AND UNDERSTAND ALL INSTRUCTIONS BEFORE USING THIS VACUUM.

Read and understand this operator's manual and all labels on the vacuum cleaner before operating. Safety is a combination of common sense, staying alert and knowing how the vacuum works. Use this vacuum only as described in this manual. To reduce the risk of personal injury or damage to the vacuum, use only manufacturer recommended accessories.

! WARNING: DO NOT USE THIS VACUUM CLEANER TO VACUUM LEAD PAINT DEBRIS OR SILICA BECAUSE THIS MIGHT DISPERSE FINE LEAD OR SILICA PARTICLES INTO THE AIR. THIS VACUUM CLEANER IS NOT INTENDED FOR USE UNDER EPA REGULATION 40 CFR PART 745 FOR LEAD PAINT MATERIAL CLEAN UP.

! WARNING: THIS PRODUCT IS NOT TO BE USED FOR FILTERING OF PATHOGENS, FOR EXAMPLE COVID-19. FOLLOW ALL LOCAL, STATE AND FEDERAL GUIDANCE ON GENERAL CLEANING PRACTICES.

SAVE THIS MANUAL FOR FUTURE REFERENCE.

When using a vacuum, basic precautions should always be followed including the following. Failure to follow the warnings and instructions may result in explosion, fire and/or serious injury.

! WARNING: TO REDUCE THE RISK OF FIRE, ELECTRIC SHOCK OR INJURY:

- a) Do not run vacuum unattended.
- b) Do not use to pick up flammable or combustible liquids, such as gasoline, or use in areas where they may be present.
- c) Do not vacuum, or use this vacuum near flammable liquids, gases, or explosive vapors like gasoline or other fuels, lighter fluids, cleaners, oil-based paints, natural gas, hydrogen, or explosive dusts like coal dust, magnesium dust, grain dust, or gun powder. Sparks inside the motor can ignite flammable vapors or dust.
- d) To reduce the risk of health hazards from vapors or dusts, do not vacuum toxic materials.
- e) Do not use or store near hazardous materials.
- f) Do not pick up anything that is burning or smoking, such as cigarettes, matches, or hot ashes.
- g) Do not expose to rain. Store indoors.
- h) If vacuum is not working as it should, has been dropped, damaged, left outdoors, or dropped into water, return it to a service center.
- i) Do not unplug by pulling on cord. To unplug, grasp the plug, not the cord.
- j) Do not use with damaged cord or plug.
- k) Do not pull or carry by cord, use cord as a handle, close a door on cord, or pull cord around sharp edges or corners.
- l) Keep cord away from heated surfaces.
- m) Do not run the vacuum over cord.
- n) Do not handle plug or vacuum with wet hands.
- o) Do not use without dust bag and/or filters in place.
- p) Do not allow to be used as a toy. Close attention is necessary when used by or near children.
- q) To reduce the risk of injury from accidental starting, unplug power cord before changing or cleaning filter.
- r) Do not leave vacuum when plugged in. Unplug from outlet when not in use and before servicing.
- s) Turn off all controls before unplugging.
- t) Unplug before connecting or disconnecting hose, or any other accessories.
- u) Do not put any object into openings. Do not use with any opening blocked; keep free of dust, lint, hair, and anything that may reduce air flow.
- v) Keep hair, loose clothing, fingers, and

all parts of body away from openings and moving parts.

- w) Use extra care when cleaning on stairs.
- x) Use only as described in this manual. Use only manufacturer's recommended attachments.
- y) This vacuum is provided with double insulation. Use only identical replacement parts. See DOUBLE INSULATION INSTRUCTIONS.

! WARNING: TO REDUCE THE RISK OF ELECTRIC SHOCK OR INJURY FROM MOVING PARTS - UNPLUG BEFORE CLEANING OR SERVICING.

! WARNING: WHEN USING AS BLOWER:

Direct air discharge only at work area.
Do not use Wet/Dry Vacuum as a sprayer.
Do not direct air at bystanders.
Keep children away when blowing.
Wear safety goggles.

SAVE THESE INSTRUCTIONS

For Household and Workshop Use Only

DOUBLE INSULATION INSTRUCTIONS

Double Insulation

Double insulated appliances are constructed throughout with two separate layers of electrical insulation or one single layer of reinforced insulation between the user and the appliance's electrical system. Products built with this insulation system are not intended to be grounded. As a result, this appliance is equipped with a two-prong plug which permits it to be used without concern for maintaining a ground connection.

NOTE: Double insulation does not take the place of normal safety precautions when operating this appliance. The secondary insulation system is for protection against injury resulting from a possible failure of the primary insulation within the product.

! CAUTION: WHEN SERVICING USE ONLY IDENTICAL REPLACEMENT PARTS. REPAIR OR REPLACE DAMAGED CORDS.

Polarized Plugs

Polarized plugs (one blade is wider than the other) are used on equipment to reduce the risk of electric shock. When provided, this plug will fit in the polarized outlet only one way.

! WARNING: DO NOT ALTER THE PLUG IN ANY WAY. IF THE PLUG DOES NOT FIT FULLY IN THE OUTLET, REVERSE THE PLUG. IF IT STILL DOES NOT FIT, CONTACT A QUALIFIED ELECTRICIAN TO INSTALL THE PROPER OUTLET.

EXTENSION CORDS

When using an extension cord with your Wet/Dry Vacuum refer to the following table to determine the required A.W.G. wire size. Before using the cleaner make sure the power cord and extension cord are in good working condition. Make repairs or replacements before using the vacuum cleaner. Only use extension cords that are rated for outdoor use.

		Length of Extension Cord			
120V		25ft (7.62m)	50ft (15.24m)	100ft (30.48m)	150ft (45.72m)
Ampere rating		A.W.G. Wire Size			
More than	Not more than				
0	6	18	16	16	14
6	10	18	16	14	12
10	12	16	16	14	12
12	16	14	12	Not recommended	

UNPACKING

! WARNING: VERIFY THAT THE POWER CORD IS DISCONNECTED FROM THE OUTLET.

1. Undo the latches 4.

- Lift the power head **11** off the collection tank **9**.
- Remove the contents from inside the collection tank **9**; make sure you have all contents as listed on page 2.

ASSEMBLY

Caster System Assembly

- Turn the collection tank upside down and insert the four caster feet **6** into the slots on the collection tank and tighten with supplied screws **14**. Verify that the caster feet **6** are mounted correctly. Do not over-tighten screws. **Fig. 1**.

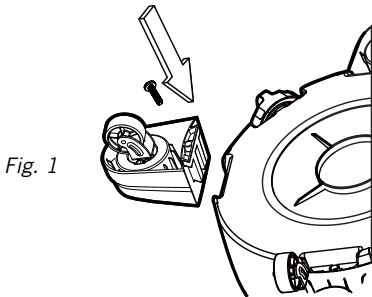


Fig. 1

GENERAL SET UP

- Your vacuum comes ready for dry vacuum cleaning. If the cartridge filter is not installed, refer to page 6-7 for installation instructions.
- For wet vacuum cleaning, remove the cartridge filter, and install the supplied foam wet filter. See page 8 for the foam wet filter installation instructions.
- Place the power head back on the collection tank and secure into place using the latches.
- Insert the larger end of the hose **15** into the vacuum port on the collection tank **9** and lock into place. **Fig. 2**.

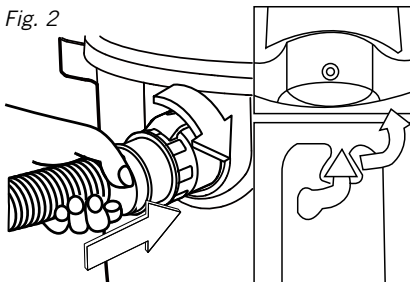


Fig. 2

- Choose the desired accessory **17** **18** and/or extension wands **16** and insert onto the end of the hose **15**. **Fig. 3**.

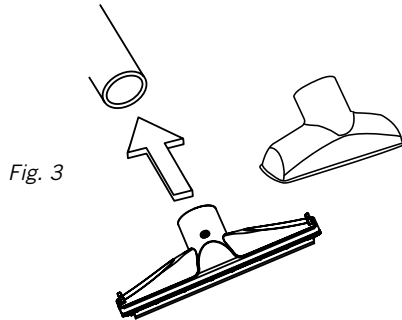


Fig. 3

- Plug the power cord into the outlet. Turn the motor on by flipping the on/off switch **12** to the 'I' ON position and begin vacuuming. **Fig. 4**.

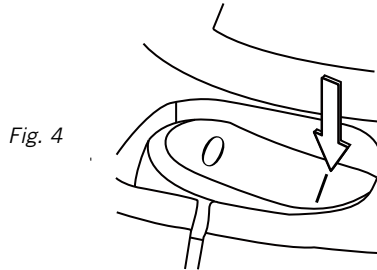


Fig. 4

⚠ WARNING: ONCE YOU HAVE COMPLETED VACUUMING, FLIP THE ON/OFF SWITCH TO THE 'O' OFF POSITION AND UNPLUG THE POWER CORD FROM THE OUTLET. 0 = OFF I = ON

BLOWER OPERATION

This Wet/Dry Vacuum has blowing capabilities. To use the blower feature follow the instructions listed.

⚠ WARNING: ALWAYS WEAR SAFETY GOGGLES COMPLYING WITH ANSI Z87.1 (OR IN CANADA, CSAZ94.3) WHEN USING BLOWER.

⚠ WARNING: KEEP BYSTANDERS CLEAR FROM BLOWING DEBRIS.

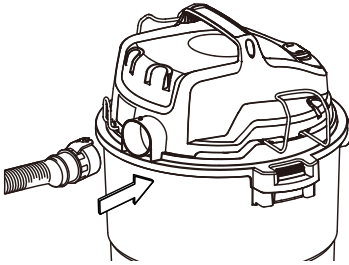
! WARNING: WEAR A DUST MASK IF BLOWING CREATES DUST THAT MIGHT BE INHALED.

! WARNING: VERIFY THAT THE POWER CORD IS DISCONNECTED FROM THE OUTLET.

! CAUTION: MAKE SURE THE COLLECTION TANK IS EMPTY BEFORE USING AS A BLOWER. CLEAR ALL DIRT AND DEBRIS FROM THE HOSE AND COLLECTION TANK.

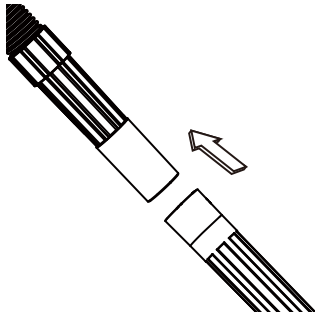
11. Remove the hose 15 from the vacuum port 10.
12. Insert the larger end of the hose 15 into the blower port 3 on the back of the power head and lock into place. Fig. 5.

Fig. 5



13. Choose the desired accessory and insert onto the end of the hose 15. Fig. 6.

Fig. 6



14. Before turning on the vacuum, firmly hold onto the loose end of the hose. Plug the power cord into the outlet. Turn the motor on by flipping the switch to the 'I' ON position.

! WARNING: ONCE YOU HAVE COMPLETED BLOWING, FLIP THE POWER SWITCH TO THE 'O' OFF POSITION AND UNPLUG THE POWER CORD FROM THE OUTLET.

FILTER INSTALLATION AND CLEAN UP Dry Pick Up Operation

NOTICE: Clean or change the filter regularly for best performance. ALWAYS USE THE CARTRIDGE FILTER FOR DRY VACUUMING. If the machine is used without the cartridge filter, the motor will burn out and the warranty will be voided. Always keep spare filters on hand.

NOTICE: The filters included are made of high quality materials designed to stop small dust particles. The cartridge filter should be used for dry pick-up only. A dry cartridge filter is necessary to pick up dust. If the cartridge filter is wet, it will clog quickly and be very difficult to clean. Handle the filter carefully when removing it for cleaning and replacing it. Check the filters for tears or small holes. A small hole can let dust pass through and out of the filter. Do not use a filter with holes or tears; replace it immediately.

INSTALLING AND CLEANING THE CARTRIDGE FILTER:

! WARNING: VERIFY THAT THE POWER CORD IS DISCONNECTED FROM THE OUTLET.

15. Remove the power head and place in an upside down position.
16. Install the cartridge filter 19 over the filter cage making sure the cage is completely covered. Fig. 7.

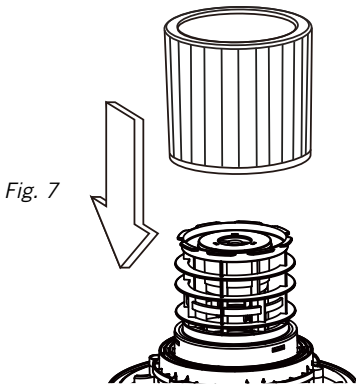


Fig. 7

17. Place the filter retainer 20 on the top of the cartridge filter 19 over the raised lip and tighten down by turning the retainer clockwise; do not over-tighten. Fig. 8 & 9.

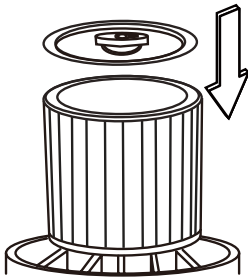


Fig. 8

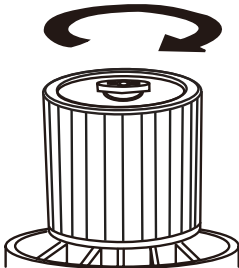


Fig. 9

18. To remove the cartridge filter, unlock and remove the filter retainer 20 by turning the retainer handle counter-clockwise. Fig. 10 & 11.

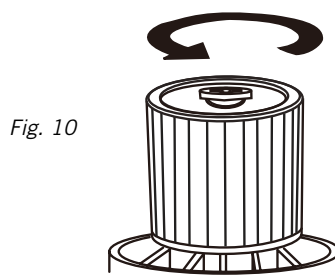


Fig. 10

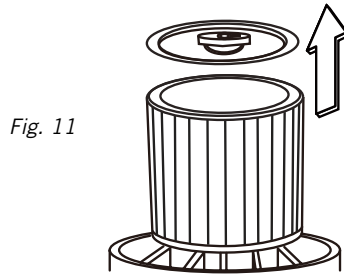


Fig. 11

19. With the removed power head in an upside down position, carefully remove the cartridge filter 19 from the filter cage. Fig. 12.

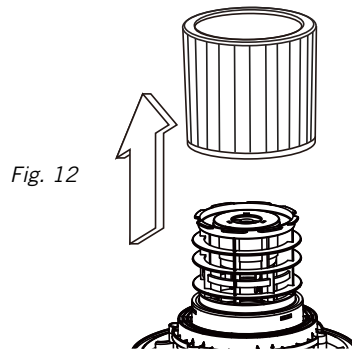


Fig. 12

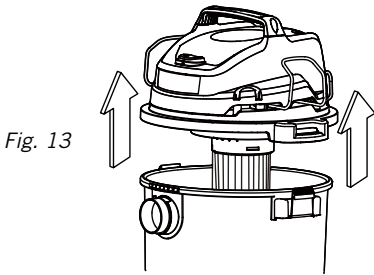
20. Clean the cartridge filter 19 by gently tapping or brushing dirt off.

! **CAUTION:** CLEANING SHOULD NOT BE DONE INDOORS IN LIVING AREAS. FOR OPTIMAL PERFORMANCE A NEW FILTER IS RECOMMENDED.

EMPTYING DRY WASTE FROM THE TANK

! WARNING: VERIFY THAT THE POWER CORD IS DISCONNECTED FROM THE OUTLET.

21. Disconnect the hose 15 from the vacuum. Undo the latches 4 and remove the power head 11 from the collection tank. **Fig. 13.** Place power head on soft, clean surface upside down. Clear all dirt or debris from the collection tank and hose. Place power head back onto the collection tank and secure latches.



Wet Pick Up Operation

IMPORTANT! When vacuuming large quantities of liquids, do not immerse the nozzle completely in the liquid; leave a gap at the tip of the nozzle opening to allow air inflow. The machine is fitted with a float valve that stops the suction action when the collection tank reaches its maximum capacity. You will notice an increase in motor speed.

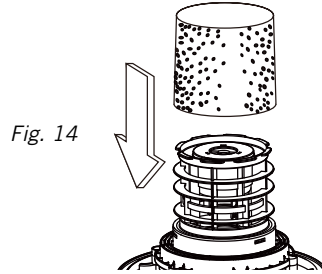
! WARNING: WHEN THIS HAPPENS, TURN OFF THE MACHINE, DISCONNECT FROM POWER SUPPLY, AND DRAIN THE LIQUID INTO A SUITABLE RECEPTACLE OR DRAIN. TO CONTINUE VACUUMING, REFIT THE COLLECTION TANK WITH THE DRAIN CAP. AFTER WET VACUUMING, TURN THE MACHINE OFF AND REMOVE PLUG FROM POWER SUPPLY. EMPTY THE COLLECTION TANK, CLEAN AND DRY THE INSIDE AND OUTSIDE BEFORE STORAGE.

NOTICE: The foam wet filter must be removed after wet vacuuming and the cartridge filter must be installed before dry vacuuming again.

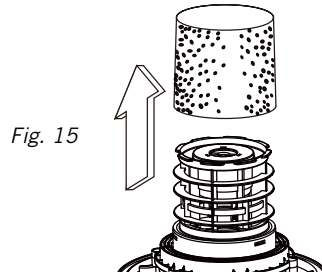
FOAM WET FILTER INSTALLATION AND CLEANING:

! WARNING: VERIFY THAT THE POWER CORD IS DISCONNECTED FROM THE OUTLET.

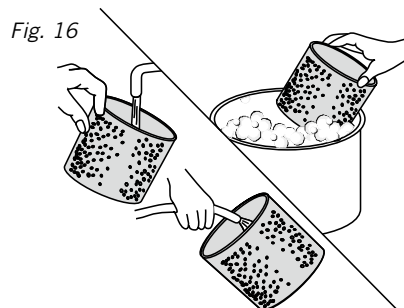
22. Remove the power head and place in an upside down position. Follow instructions to remove the cartridge filter on page 7.
23. Carefully slide the foam wet filter 21 down over the filter cage making sure the cage is completely covered. **Fig. 14.**



24. To remove the foam wet filter, place the removed power head in an upside down position, and carefully remove the foam wet filter 21. **Fig. 15.**



25. Use a mild soap and water solution to wash the foam wet filter 21 and rinse with clean water. **Fig. 16.**

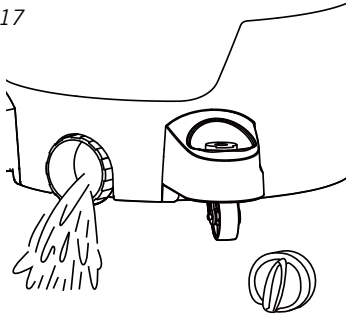


26. Allow the wet filter to air dry for 24 hours before installing onto the filter cage.

EMPTYING LIQUID WASTE FROM THE TANK

27. After wet pick up operation, empty the collection tank 9 by unscrewing the drain cap. Drain liquids into a suitable receptacle or drain. **Fig. 17.** Remember to refit the drain cap to the collection tank.

Fig. 17



STORAGE

Before storing your vacuum, the collection tank should be emptied and cleaned. The accessories should be cleaned and stored so they can be readily available when needed. Store the wet/dry vacuum indoors. For convenient storage, the hose 15 can be wrapped around the hose storage rack 2 and the accessories can be inserted into the accessory storage slots 5 on the vacuum.

REGISTER ONLINE

Thank you for your purchase. Register your product now for:

- **WARRANTY SERVICE:** Registering your product will help you obtain more efficient warranty service in case there is a problem with your product.
- **CONFIRMATION OF OWNERSHIP:** In case of an insurance loss, such as fire, flood or theft, your registration of ownership will serve as your proof of purchase.
- **FOR YOUR SAFETY:** Registering your product will allow us to contact you in the unlikely event a safety notification is required under the Federal Consumer Safety Act.

Register online at www.craftsman.com/registration

3 YEAR LIMITED WARRANTY

CRAFTSMAN will repair or replace, without charge, any defects due to faulty materials or workmanship for three years from the date of purchase. This warranty does not cover part failure due to normal wear or tool abuse. For further detail of warranty coverage and warranty repair information, visit www.craftsman.com or call **1-888-331-4569**. This warranty does not apply to accessories or damage caused where repairs have been made or attempted by others. **THIS LIMITED WARRANTY IS GIVEN IN LIEU OF ALL OTHERS, INCLUDING THE IMPLIED WARRANTY OF MERCHANTABILITY AND FITNESS FOR A PARTICULAR PURPOSE, AND EXCLUDES ALL INCIDENTAL OR CONSEQUENTIAL DAMAGES.** Some states do not allow limitations on how long an implied warranty lasts or the exclusion or limitation of incidental or consequential damages, so these limitations may not apply to you. This warranty gives you specific legal rights and you may have other rights which vary in certain states or provinces.

90 DAY MONEY BACK GUARANTEE

If you are not completely satisfied with the performance of your CRAFTSMAN Wet Dry Vacuum for any reason, you can return it within 90 days from the date of purchase with a receipt for a full refund – no questions asked.

LATIN AMERICA: This warranty does not apply to products sold in Latin America. For products sold in Latin America, see country specific warranty information contained in the packaging, call the local company or see website for warranty information.

FREE WARNING LABEL REPLACEMENT: If your warning labels become illegible or are missing, call 1-888-331-4569 for a free replacement.

TROUBLESHOOTING

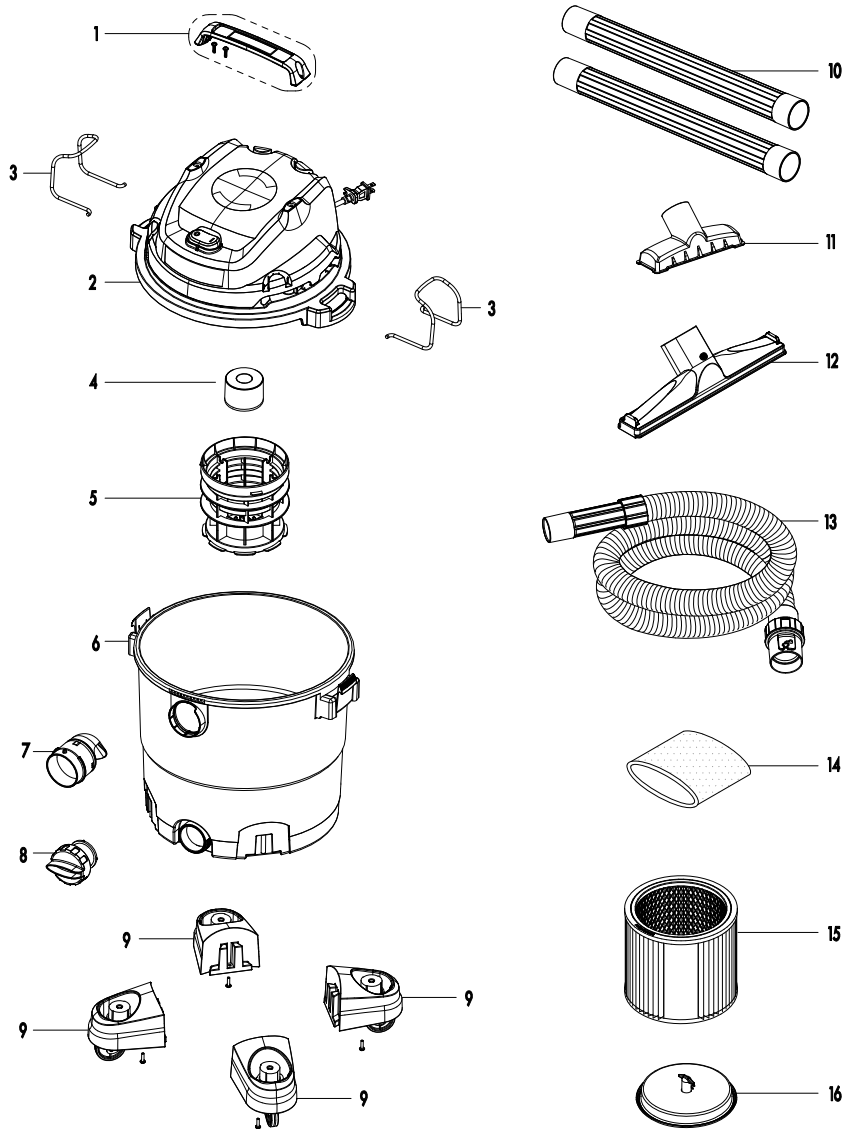


WARNING: *TO REDUCE THE RISK OF ELECTRIC SHOCK, UNPLUG BEFORE TROUBLESHOOTING.*

For assistance with your product, visit our website at www.craftsman.com for a list of service centers, or call CRAFTSMAN at 1-888-331-4569.

PROBLEM	POSSIBLE CAUSE	SOLUTION
The wet/dry vacuum will not operate.	No power supply.	Check the power supply, cord, breakers, and fuses.
	Faulty power cord.	Unplug and check the power cord. If damaged, have it repaired by a professional.
	Collection tank is full.	Empty the collection tank.
	Switch in the wrong position.	Press the ON 'I' button on the power head.
The dust comes out from the motor cover.	The cartridge filter is missing or damaged.	Attach or replace the cartridge filter.
	Vacuum has been used to collect fine dust, such as dry wall dust, fireplace soot, or ash, without a fine dust filter.	Remove the standard cartridge filter and install the appropriate fine dust filter (available separately).
Reduced efficiency and motor/speed vibration.	There are blockages in the nozzle, hose, or the collection tank inlets.	Unplug and check nozzle, hose and collection tank inlets for blockages.
	The cartridge filter is clogged by fine dust.	Take off the filter and clean it or install a new cartridge filter.

EXPLODED VIEW



PARTS LIST

Part	Drawing Number	Description	Quantity
1	551551101	Handle Assembly	1
2		Power Head Assembly	1
3	551015102	Hose Storage Rack	2
4	551416106	Float	1
5	551437105	Filter Cage	1
6		Collection Tank	1
7	551011106	Vacuum Port	1
8	551002110	Drain Cap Assembly	1
9	551015104	Caster Foot Assembly	4
10	551390102	Extension Wand	2
11	551011109	Utility Nozzle	1
12	551011110	Floor Brush/Squeegee Nozzle	1
13	551011111	Hose	1
14	551002118	Foam Wet Filter	1
15	551030114	Cartridge Filter	1
16	551004104	Filter Retainer	1

CRAFTSMAN®

is a registered trademark of Stanley Black & Decker, Inc., used under license.

© 2021 CRAFTSMAN

Product Manufactured by: Cleva North America, Inc.

LICENSEE NAME: Cleva North America, Inc.

LICENSEE ADDRESS: Greenville, SC 29607

U.S. & Canada Only

Definiciones: Símbolos y palabras de alerta y seguridad

Este manual de instrucciones usa los siguientes símbolos y palabras de alerta de seguridad para prevenirlo sobre situaciones peligrosas y riesgos de lesiones personales o daño a la propiedad.

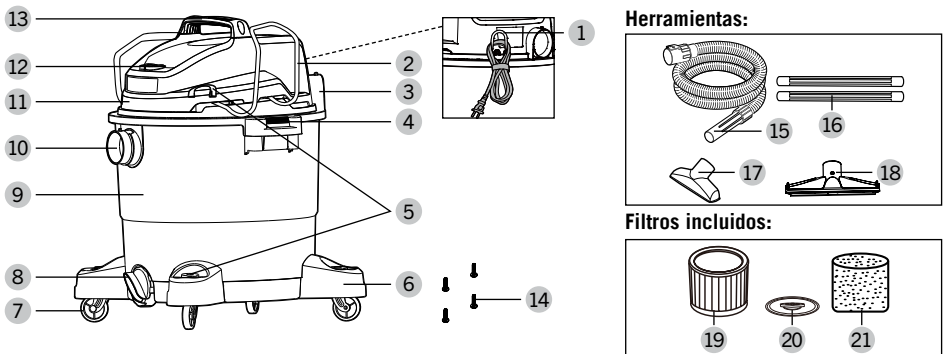
! **PELIGRO:** Indica una situación peligrosa inminente que, de no evitarse, **causará la muerte o lesiones severas.**

! **ADVERTENCIA:** Indica una situación potencialmente peligrosa que, de no evitarse, **podría causar la muerte o lesiones severas.**

! **PRECAUCIÓN:** Indica una situación potencialmente peligrosa que, de no evitarse, **es capaz de causar lesiones menores o moderadas.**


! (Usado sin palabra) indica un mensaje de seguridad.


AVISO: Indica una práctica **no relacionada a la seguridad personal** que, de no evitarse, **es capaz de provocar daños a la propiedad.**




COMPONENTES

- | | | | |
|--|-------------------------------------|--|--|
| 1 Almacenamiento del cable de alimentación | 6 Pata con rueda | 13 Empuñadura | 19 Filtro de cartucho |
| 2 Estante de almacenamiento de la manguera | 7 Rueda | 14 Tornillos (4) | 20 Retenedor del filtro |
| 3 Puerto de soplido | 8 Puerto de drenaje | 15 Manguera | 21 Filtro de espuma para aspirar en mojado |
| 4 Seguro | 9 Tanque recolector | 16 Varas de extensión (2) | |
| 5 Almacenamiento de accesorios | 10 Puerto de aspirado | 17 Boquilla utilitaria | |
| | 11 Cabezal motriz | 18 Boquilla de cepillo/espátula de goma para pisos | |
| | 12 Interruptor de encendido/apagado | | |

 **ADVERTENCIA:** *Lea todas las advertencias e instrucciones de seguridad. El no seguir las instrucciones indicadas a continuación puede producir descargas eléctricas, incendios o lesiones graves.*

 **ADVERTENCIA:** *Jamás modifique el producto ni parte de él. Podrían producirse daños o lesiones personales.*

 **ADVERTENCIA:** *Para reducir el riesgo de lesiones, lea el manual de instrucciones.*

Si tiene alguna pregunta o comentario sobre este u otro producto, llame a la línea telefónica gratuita de CRAFTSMAN al: 1-888-331-4569.

CMXEVCVVF910

! PELIGRO: JAMÁS USE ESTA UNIDAD CERCA DE MATERIALES O VAPORES INFLAMABLES. USAR ESTA UNIDAD CERCA DE MATERIALES O VAPORES INFLAMABLES PODRÍA PROVOCAR UN INCENDIO O UNA EXPLOSIÓN.

! ADVERTENCIA: ANTES DE USAR ESTA ASPIRADORA, LEA Y COMPRENDA TODAS LAS INSTRUCCIONES.

Lea y comprenda este manual del operador y todas las etiquetas de la aspiradora antes de utilizarla. La seguridad es una combinación de sentido común, permanecer alerta y saber cómo funciona la aspiradora. Use esta aspiradora solo como se describe en este manual. Para reducir el riesgo de lesiones personales o daños a la aspiradora, use solo accesorios recomendados por el fabricante.

! ADVERTENCIA: NO USE ESTA ASPIRADORA PARA ASPIRAR SEDIMENTOS DE PINTURA CON PLOMO O SÍLICE PORQUE ESTO PODRÍA DISPERSAR PARTÍCULAS FINAS DE POLVO O SÍLICE EN EL AIRE. ESTA ASPIRADORA NO ESTÁ HECHA PARA LIMPIAR MATERIALES DE PINTURA CON PLOMO BAJO LA REGULACIÓN 40 CFR PARTE 745 DE LA EPA.

! ADVERTENCIA: ESTE PRODUCTO NO SIRVE PARA FILTRAR PATÓGENOS COMO, POR EJEMPLO, COVID-19. SIGA TODAS LAS PAUTAS FEDERALES, ESTATALES Y LOCALES SOBRE LAS PRÁCTICAS DE LIMPIEZA GENERALES.

CONSERVE ESTE MANUAL PARA FUTURA REFERENCIA.

Al utilizar una aspiradora, siempre siga las precauciones básicas de seguridad, incluidas las siguientes. No seguir las advertencias e instrucciones puede provocar explosiones,

incendios o lesiones graves.

! ADVERTENCIA: PARA REDUCIR EL RIESGO DE INCENDIO, DESCARGA ELÉCTRICA O LESIONES:

- a) No aspire dejando la aspiradora sin su atención.
- b) No use el producto para aspirar líquidos combustibles o inflamables, como gasolina, ni lo use en zonas donde puedan existir tales elementos.
- c) No aspire ni use esta aspiradora cerca de líquidos, gases o vapores inflamables como gasolina u otros combustibles, líquido de encendedores, limpiadores, pinturas de base oleosa, gas natural, hidrógeno o polvos explosivos como aquellos de carbón, magnesio, granos o pólvora. Las chispas en el interior del motor pueden encender a los vapores o polvos inflamables.
- d) No aspire materiales tóxicos, a fin de reducir el riesgo de peligros provocados por vapores o polvo.
- e) No la use ni almacene cerca de materiales peligrosos.
- f) No aspire elementos que estén en llamas o humeando, tales como cigarrillos, fósforos o cenizas calientes.
- g) No exponer a la lluvia. Almacenar en interiores.
- h) Si la aspiradora no funciona como debería, si se ha caído, dañado, dejado en exteriores o si se ha caído al agua, entréguela en un centro de servicio.
- i) No desconecte tirando del cable. Para desconectarlo tire de la clavija, no del cable.
- j) No la utilice si la clavija o el cable están dañados.
- k) No tire o transporte el aparato utilizando el cable como a modo de asa, no apriete el cable al cerrar puertas ni pase el cable cerca de bordes afilados o esquinas.
- l) Mantenga el cable alejado de superficies calientes.
- m) No use la aspiradora sobre su cable.
- n) No sujete el enchufe ni aspire con las manos mojadas.
- o) No utilice sin la bolsa para el polvo y/o los filtros puestos.
- p) No permita que se utilice como un juguete. Se debe prestar estricta atención cuando el

aparato lo usen niños o cuando se use cerca de ellos.

- q) Para reducir el riesgo de lesiones provocadas por un encendido accidental, desconecte el cable antes de cambiar o limpiar el filtro.
- r) No deje la aspiradora desatendida cuando esté enchufada. Desenchúfela de la toma de corriente cuando no esté en uso y antes de realizar el mantenimiento.
- s) Apague todos los controles antes de desconectar el dispositivo.
- t) Desconéctela antes de colocar o quitar la manguera o cualquier otro accesorio.
- u) No ponga ningún objeto sobre las aberturas. No lo utilice si las aberturas están bloqueadas; tenga cuidado que no haya polvo, cabellos, pelusas en las aberturas o cualquier cosa que pueda reducir el flujo de aire.
- v) Mantenga su cabello, ropas holgadas, dedos y partes de su cuerpo lejos de las aberturas y piezas móviles del producto.
- w) Tenga precaución adicional al limpiar en escaleras.
- x) Utilice el producto solo como se describe en este manual. Utilice solo los accesorios recomendados por el fabricante.
- y) Esta aspiradora está provista de doble aislamiento. Utilice solo piezas de repuesto idénticas. Consulte INSTRUCCIONES SOBRE EL AISLAMIENTO DOBLE.

⚠ ADVERTENCIA: PARA REDUCIR EL RIESGO DE DESCARGA ELÉCTRICA O LESIONES PROVOCADAS POR PIEZAS MÓVILES, DESCONECTE ANTES DE LIMPIAR O REPARAR.

⚠ ADVERTENCIA: AL USAR COMO SOPLADORA:

Descargue aire directamente solo sobre la zona de trabajo.

No use la aspiradora en mojado/seco como pulverizador.

No dirija el aire hacia personas.

Mantenga a los niños alejados mientras utilice la aspiradora como sopladora.

Use gafas de seguridad.

GUARDE ESTAS INSTRUCCIONES

Solo para uso doméstico y en talleres

INSTRUCCIONES SOBRE EL AISLAMIENTO DOBLE Aislamiento doble

Los electrodomésticos con aislamiento doble están contruidos con dos capas separadas de aislamiento eléctrico o una sola capa de aislamiento reforzado entre el usuario y el sistema eléctrico del electrodoméstico. Los productos con este sistema de aislamiento no necesitan una conexión a tierra. Como resultado, este electrodoméstico posee una clavija de dos patas que permite usarlo sin preocuparse de mantener una conexión a tierra. **NOTA:** El aislamiento doble no reemplaza a las precauciones de seguridad al usar este electrodoméstico. El sistema de aislamiento secundario está hecho para proteger contra lesiones provocadas por una posible falla del aislamiento principal del producto.

⚠ PRECAUCIÓN: AL REPARAR, USE SOLO PIEZAS DE REPUESTO IDÉNTICAS. REPARE O REEMPLACE LOS CABLES DAÑADOS.

Clavijas polarizadas

Las clavijas polarizadas (una pata más ancha que la otra) se usan en equipos para reducir el riesgo de descarga eléctrica. En caso de haberla, esta clavija calza en la toma de corriente solo de una manera.

⚠ ADVERTENCIA: NO ALTERE LA CLAVIJA DE NINGUNA MANERA. SI LA CLAVIJA NO ENTRA POR COMPLETO EN LA TOMA DE CORRIENTE, INVIÉRTALA. SI TODAVÍA NO CALZA, CONTACTE A UN ELECTRICISTA CALIFICADO PARA INSTALAR LA TOMA DE CORRIENTE ADECUADA.

CABLES DE EXTENSIÓN

Al utilizar un alargador con su aspiradora en mojado/seco, utilice la siguiente tabla para

determinar el calibre A.W.G. del cable. Antes de utilizar la aspiradora, asegúrese de que el cable y el alargador estén en buena condición operativa. Realice las reparaciones o cambios de piezas antes de usar la aspiradora. Utilice solo cables de extensión calificados para uso en exteriores.

		Largo del cable de extensión			
120V		25 pies (7.62 m)	50 pies (15.24 m)	100 pies (30.48 m)	150 pies (45.72 m)
Amperaje		A.W.G. Tamaño del cable			
Más de	No más de				
0	6	18	16	16	14
6	10	18	16	14	12
10	12	16	16	14	12
12	16	14	12	No recomendado	

DESEMBALAJE

⚠️ ADVERTENCIA:

COMPRUEBE QUE EL CABLE DE ALIMENTACIÓN ESTÉ DESCONECTADO DE LA TOMA DE CORRIENTE.

1. Abra los seguros 4.
2. Levante el cabezal motriz 11 sacándolo del tanque recolector 9.
3. Saque el contenido del interior del tanque recolector 9, asegurándose de tener todo el contenido indicado en la página 13.

MONTAJE

Montaje del sistema de ruedecillas

4. Voltee el tanque recolector e inserte las cuatro patas con ruedecillas 6 en las ranuras del tanque recolector y apriételas usando los tornillos incluidos 14.
Compruebe que las patas con ruedecilla 6 estén instaladas correctamente. No apriete demasiado los tornillos. **Fig. 1.**

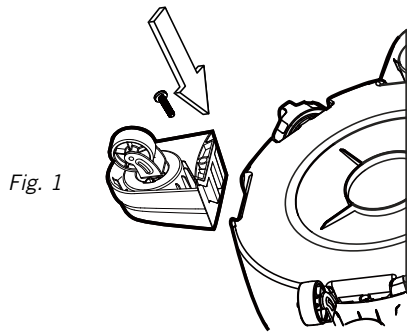
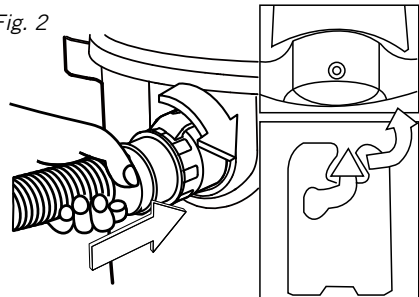


Fig. 1

PREPARACIÓN GENERAL

5. Su aspiradora viene lista para aspirar en seco. Si el filtro de cartucho no está instalado, consulte la página 19-20 para obtener instrucciones de instalación.
6. Para la limpieza con aspiradora en mojado, retire el filtro de cartucho e instale el filtro de espuma para aspirar en mojado suministrado. Consulte la página 21 para ver las instrucciones de instalación del filtro de espuma para aspirar en mojado.
7. Coloque el cabezal motriz nuevamente en el tanque recolector y fíjelo en su lugar usando los seguros.
8. Inserte el extremo más grande de la manguera 15 en el puerto de aspirado del tanque recolector 9 y fíjelo **Fig. 2.**

Fig. 2



9. Elija el accesorio deseado 17 18 y/o varas de extensión 16 e insértelo en el extremo de la manguera 15. **Fig. 3.**

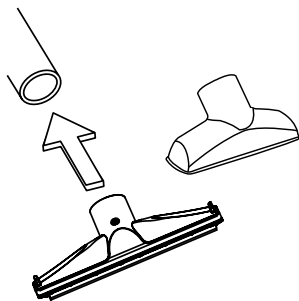


Fig. 3

10. Enchufe el cable de alimentación en la toma de corriente. Encienda el motor moviendo el interruptor de encendido/apagado 12 a la posición de encendido "I" y comience a aspirar. Fig. 4.

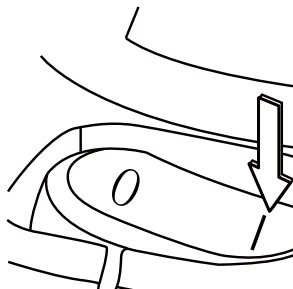


Fig. 4

ADVERTENCIA: TRAS HABER TERMINADO DE SOPLAR, MUEVA EL INTERRUPTOR DE ENCENDIDO/APAGADO A LA POSICIÓN DE APAGADO 'O' Y DESCONECTE EL CABLE DE LA TOMA DE CORRIENTE. O = APAGADO I = ENCENDIDO

OPERACIÓN DE SOPLADO

Esta aspiradora en seco/mojado puede funcionar como sopladora. Para utilizar la función de sopladora, siga estas instrucciones.

ADVERTENCIA: USE SIEMPRE ANTIPARRAS DE SEGURIDAD QUE CUMPLAN CON LA NORMA ANSI Z87.1 (O CSAZ94.3 EN CANADÁ) AL USAR LA SOPLADORA.

ADVERTENCIA: MANTENGA A LAS PERSONAS AJEJADAS DE LOS SEDIMENTOS QUE SOPLE LA ASPIRADORA.

ADVERTENCIA: UTILICE UNA MÁSCARA ANTIPOLVO SI EL SOPLIDO CREA POLVOS QUE SE PUEDAN INHALAR.

ADVERTENCIA: Compruebe que el cable de alimentación esté desconectado de la toma de corriente.

PRECAUCIÓN: Asegúrese de que el tanque recolector esté vacío antes de usar como sopladora. Limpie toda la suciedad y sedimentos de la manguera y tanque recolector.

11. Saque la manguera 15 del puerto de aspirado 10.
12. Inserte el extremo más grande de la manguera 15 en el puerto de soplido 3 de la parte posterior del cabezal motriz y fíjelo. Fig. 5.

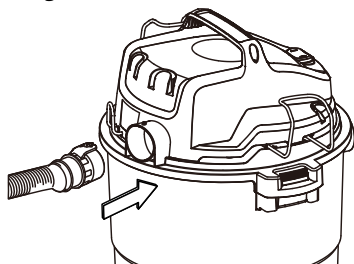


Fig. 5

13. Elija el accesorio deseado e insértelo en el extremo de la manguera 15. Fig. 6.

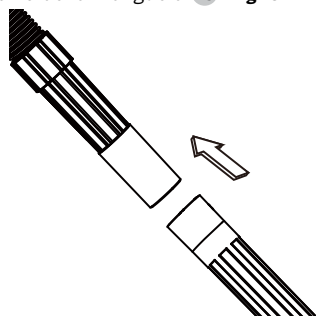


Fig. 6

14. Antes de encender la aspiradora, sostenga firmemente el extremo suelto de la manguera. Enchufe el cable de alimentación en la toma de corriente.

Encienda el motor moviendo el interruptor hacia la posición "I" ON (Encendido).

⚠ ADVERTENCIA: **TRAS HABER TERMINADO DE SOPLAR, MUEVA EL INTERRUPTOR DE ENCENDIDO A LA POSICIÓN DE APAGADO 'O' Y DESCONECTE EL CABLE DE ALIMENTACIÓN DE LA TOMA DE CORRIENTE.**

LIMPIEZA E INSTALACIÓN DEL FILTRO

Aspirado en seco

AVISO: Limpie o cambie el filtro regularmente para obtener un mejor rendimiento. SIEMPRE UTILICE EL FILTRO DE CARTUCHO PARA LA ASPIRACIÓN EN SECO. Si la máquina se usa sin el filtro de cartucho, el motor se quemará y la garantía quedará anulada. Tenga cartuchos de repuesto siempre a mano.

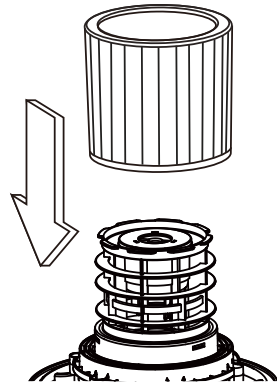
AVISO: Los filtros incluidos están hechos de materiales de alta calidad diseñados para detener partículas de polvo pequeñas. El filtro de cartucho se debe utilizar solo para aspirar en seco. Se necesita un filtro de cartucho en seco para aspirar polvo. Si el filtro de cartucho está mojado, se obstruirá rápidamente y será muy difícil de limpiar. Maneje el filtro con cuidado al quitarlo para limpiarlo y reemplazarlo. Compruebe que los filtros no tengan roturas ni orificios pequeños. Un pequeño orificio puede permitir que el polvo pase y salga del filtro. No use un filtro con agujeros o rasgaduras, reemplácelo de inmediato.

INSTALACIÓN Y LIMPIEZA DEL FILTRO DE CARTUCHO:

⚠ ADVERTENCIA: **COMPRUEBE QUE EL CABLE DE ALIMENTACIÓN ESTÉ DESCONECTADO DE LA TOMA DE CORRIENTE.**

15. Retire el cabezal motriz y colóquelo en posición boca abajo.
16. Instale el filtro de cartucho 19 sobre el habitáculo del filtro, asegurándose de que el habitáculo que totalmente cubierto. **Fig. 7.**

Fig. 7



17. Coloque el retén del filtro 20 de la parte superior del filtro de cartucho 19 sobre el borde elevado y apriete girando el retén hacia la derecha. No apriete más de la cuenta. **Fig. 8 & 9.**

Fig. 8

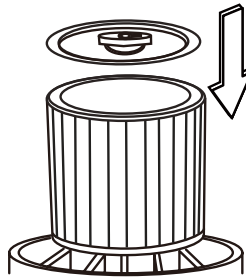
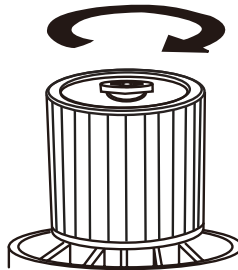


Fig. 9



18. Para sacar el filtro de cartucho, libere y saque el retén del filtro 20 girando la empuñadura del retén hacia la izquierda. **Fig. 10 & 11.**

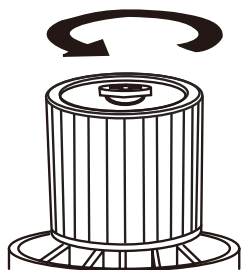


Fig. 10

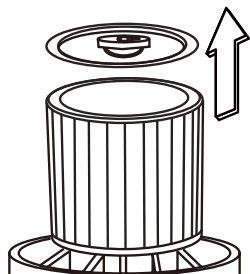


Fig. 11

19. Con el cabezal motriz retirado y boca abajo, extraiga cuidadosamente el filtro de cartucho 19 del habitáculo del filtro. **Fig. 12.**

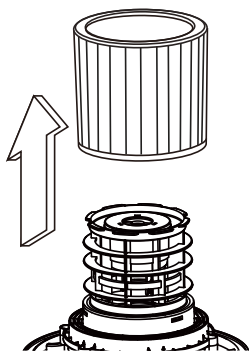


Fig. 12

20. Limpie el filtro de cartucho 19 golpeándolo suavemente o cepillándolo.

! PRECAUCIÓN: LA LIMPIEZA NO DEBE REALIZARSE EN INTERIORES NI EN ZONAS HABITADAS. PARA OBTENER UN RENDIMIENTO ÓPTIMO, SE RECOMIENDA EL USO DE UN FILTRO NUEVO.

VACIADO DE LOS DESECHOS SECOS DEL TANQUE

! ADVERTENCIA: **COMPRUEBE QUE EL CABLE DE ALIMENTACIÓN ESTÉ DESCONECTADO DE LA TOMA DE CORRIENTE.**

21. Desconecte la manguera 15 de la aspiradora. Abra los seguros 4 y quite el cabezal motriz 11 del tanque recolector.

Fig 13. Coloque el cabezal motriz boca abajo sobre una superficie limpia y suave. Limpie toda la suciedad o sedimentos de la manguera y tanque recolector. Reinstale el cabezal motriz en el tanque recolector y cierre los seguros.

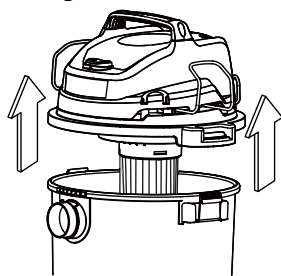


Fig. 13

Aspirado en mojado

¡IMPORTANTE! Al aspirar grandes cantidades de líquido, no sumerja la boquilla completamente en el líquido; deje una brecha en la punta de la abertura de la boquilla para permitir el ingreso de aire. La máquina posee una válvula flotante que detiene la succión cuando el tanque recolector alcanza su capacidad máxima. Sentirá un incremento en la velocidad del motor.

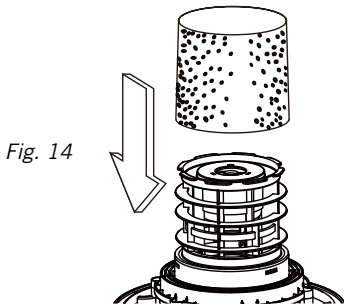
! ADVERTENCIA: CUANDO ESTO PASE, APAGUE LA MÁQUINA, DESCONÉCTELA DE LA FUENTE DE ALIMENTACIÓN Y DRENE EL LÍQUIDO EN UN RECEPTÁCULO APTO O EN EL DRENAJE. PARA SEGUIR ASPIRANDO, REINSTALE EL TANQUE RECOLECTOR CON EL TAPÓN DE DRENAJE. TRAS ASPIRAR EN MOJADO, APAGUE LA MÁQUINA Y SAQUE LA CLAVIJA DEL SUMINISTRO DE ALIMENTACIÓN. VACÍE EL TANQUE RECOLECTOR, LIMPIE Y SEQUE EL INTERIOR Y EL EXTERIOR ANTES DE GUARDAR EL PRODUCTO.

AVISO: El filtro de espuma para aspirar en mojado se debe extraer después de aspirar en mojado, para luego proceder a instalar el filtro de cartucho antes de volver a aspirar en seco.

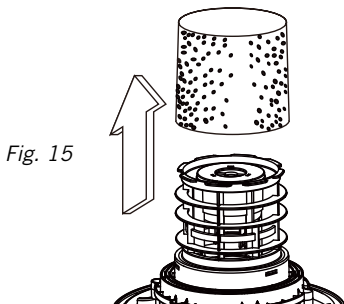
INSTALACIÓN Y LIMPIEZA DEL FILTRO DE ESPUMA PARA ASPIRAR EN MOJADO:

⚠ ADVERTENCIA:
COMPRUEBE QUE EL CABLE DE ALIMENTACIÓN ESTÉ DESCONECTADO DE LA TOMA DE CORRIENTE.

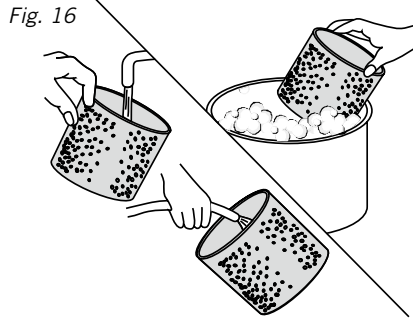
22. Retire el cabezal motriz y colóquelo en posición boca abajo. Siga las instrucciones para eliminar el filtro de cartucho en la página 19-20.
23. Deslice el filtro de espuma para aspirar en mojado **21** sobre el habitáculo del filtro, asegurándose de que el habitáculo quede totalmente cubierto. **Fig. 14.**



24. Para quitar el filtro de espuma para aspirar en mojado, coloque el cabezal motriz boca abajo y quite cuidadosamente el filtro de espuma para aspirar en mojado **21**. **Fig. 15.**



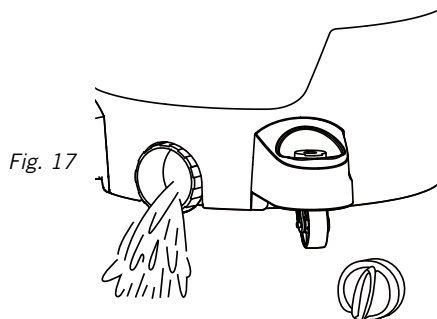
25. Use una solución de agua y jabón suave para lavar el filtro de espuma para aspirar en mojado **21** y enjuáguelo con agua limpia. **Fig. 16.**



26. Deje que el filtro para aspirar en mojado se seque al aire durante 24 horas antes de instalarlo en la caja del filtro.

VACIADO DE LOS DESECHOS LÍQUIDOS DEL TANQUE

27. Tras aspirar en mojado, vacíe el tanque recolector **9** soltando el tapón de drenaje. Drene los líquidos en un receptáculo o drenaje apto. **Fig. 17.** Recuerde volver a colocar la tapa de drenaje en el tanque recolector.



ALMACENAMIENTO

Antes de guardar su aspiradora, el tanque recolector debe vaciarse y limpiarse. Los accesorios deben limpiarse y almacenarse de manera tal que puedan estar disponibles cuando sean necesarios. Almacene la aspiradora en mojado/seco en interiores. Para facilitar el almacenamiento, la manguera **15**

se puede envolver alrededor del espacio de almacenamiento de la manguera 2 y los accesorios se pueden insertar en las ranuras de almacenamiento para accesorios 5 de la aspiradora.

REGISTRO EN LÍNEA

Gracias por su compra. Registre su producto ahora para:

- **SERVICIO DE GARANTÍA:** Registrar su producto lo ayudará a obtener un servicio de garantía más eficiente en caso de que haya un problema con él.
- **CONFIRMACIÓN DE PROPIEDAD:** En caso de pérdidas por seguro, como incendio, inundación o robo, su registro de propiedad le servirá como prueba de compra.
- **POR SU SEGURIDAD:** Registrar su producto nos permitirá contactarlo en el poco probable evento de que haya una notificación de seguridad necesaria bajo la Ley federal de seguridad del consumidor.

Regístrese en línea en www.craftsman.com/registration

GARANTÍA LIMITADA DE 3 AÑOS

CRAFTSMAN reparará o reemplazará, sin costo, cualquier defecto provocado por materiales o mano de obra defectuosos durante un periodo de tres años a contar de la fecha de compra. Esta garantía no cubre fallas de piezas por desgaste normal o abuso de la herramienta. Para ver más detalles sobre la cobertura de la

garantía e información de reparación, visite www.craftsman.com o llame al **1-888-331-4569**. Esta garantía no se aplica a accesorios o daños provocados por reparaciones realizadas por otros. **ESTA GARANTÍA LIMITADA REEMPLAZA A CUALQUIER OTRA, INCLUIDA LA GARANTÍA IMPLÍCITA DE COMERCIABILIDAD Y APTITUD PARA UN PROPÓSITO EN PARTICULAR, Y EXCLUYE A TODOS LOS DAÑOS CONSECUCIONALES O INCIDENTALES.** Algunos estados no permiten limitaciones sobre la duración de una garantía implícita o la exclusión o limitación de daños incidentales o consecucionales, por lo que estas limitaciones podrían no aplicarse a usted. Esta garantía le da derechos legales específicos y usted podría tener otros derechos, los que varían en ciertos estados o provincias.

GARANTÍA DE DEVOLUCIÓN DE DINERO DE 90 DÍAS

Si no está completamente satisfecho con el desempeño de su aspiradora en seco/ mojado CRAFTSMAN por algún motivo, puede devolverla dentro de un plazo de 90 días a partir de la fecha de compra y solicitar un reembolso total, sin preguntas.

LATINOAMÉRICA: Esta garantía no se aplica a productos vendidos en América Latina. Para productos vendidos en América Latina, consulte la información de garantía específica de su país, incluida en la caja, llame a la compañía local o visite el sitio web para conocer más información sobre la garantía.

REEMPLAZO GRATUITO DE LAS ETIQUETAS DE

ADVERTENCIA: Si sus etiquetas de advertencia se vuelven ilegibles o se pierden, llame al 1-888-331-4569 para solicitar un reemplazo gratuito.

RESOLUCIÓN DE PROBLEMAS

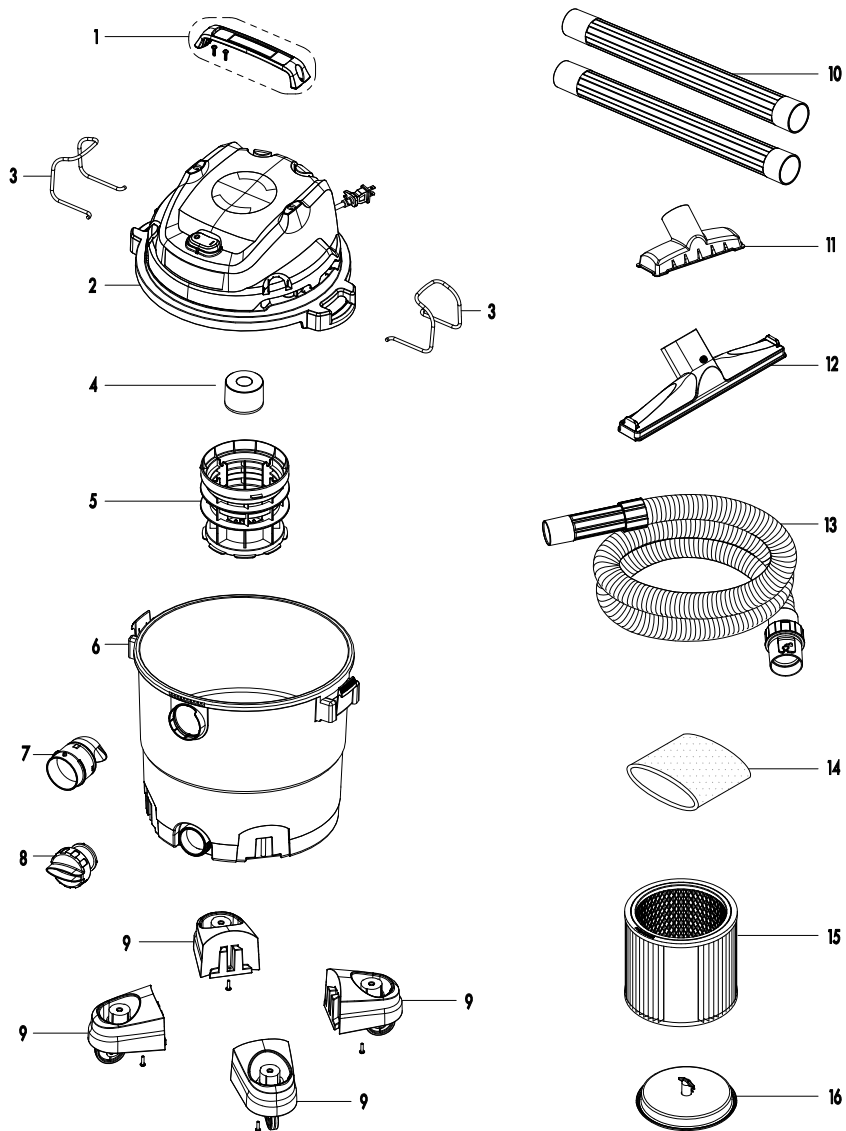


ADVERTENCIA: PARA EVITAR EL RIESGO DE SUFRIR DESCARGAS ELÉCTRICAS, DESCONECTE EL APARATO ANTES DE INTENTAR SOLUCIONAR CUALQUIER PROBLEMA.

Para obtener ayuda con su producto, visite nuestro sitio web www.craftsman.com para ver una lista de centros de servicio, o llame a CRAFTSMAN al 1-888-331-4569.

PROBLEMA	CAUSA PROBABLE	SOLUCIÓN
	No hay energía.	Verifique la fuente de alimentación, el cable, los interruptores y los fusibles.
La aspiradora en mojado/seco no funcionará.	Cable de alimentación defectuoso.	Desconecte y revise el cable de alimentación. Si hay daños, lleve el producto a reparación con un profesional.
	Tanque recolector lleno.	Vacíe el tanque recolector.
	El interruptor está en la posición incorrecta.	Presione el botón de encendido "I" del cabezal motriz.
Sale polvo de la carcasa del motor.	El filtro de cartucho está dañado o no está instalado.	Coloque o reemplace el filtro de cartucho.
	La aspiradora se usó para recolectar polvo fino, como el de yeso cartón, cenizas de leña o brasas, sin un filtro de polvo fino.	Saque el filtro de cartucho estándar e instale el filtro adecuado para polvo fino (se venden por separado).
Menor eficiencia y vibración del motor/velocidad.	Hay un bloqueo en la boquilla, manguera o entradas del tanque recolector.	Desenchufe e inspeccione la boquilla, manguera y entradas del tanque recolector en búsqueda de bloqueos.
	El filtro de cartucho está saturado de polvo fino.	Saque el filtro y límpielo, o bien instale un nuevo filtro de cartucho.

DIAGRAMA DE REPUESTO



PARTES DE REPUESTO

Numero Clave	Numero del Dibujo	Descripción	Cantidad
1	551551101	Conjunto de piezas de la manilla	1
2		Armado del cabezal de potencia	1
3	551015102	Estante de almacenamiento de la manguera	2
4	551416106	Flotador	1
5	551437105	Carcasa del filtro	1
6		Tanque recolector	1
7	551011106	Puerto de aspirado	1
8	551002110	Ensamble De La Tapa De Drenaje	1
9	551015104	Ensamblaje de las ruedas de las patas	4
10	551390102	Varas de extensión	2
11	551011109	Boquilla utilitaria	1
12	551011110	Boquilla de cepillo/espátula de goma para pisos	1
13	551011111	Manguera	1
14	551002118	Filtro de espuma para aspirar en mojado	1
15	551030114	Filtro de cartucho	1
16	551004104	Retenedor del filtro	1

CRAFTSMAN®

es marca registrada de Stanley Black & Decker, Inc., y se usa bajo licencia.

© 2021 CRAFTSMAN

Producto fabricado por: Cleve North America, Inc.

NOMBRE DEL TITULAR DE LA LICENCIA: Cleve North America, Inc.

DIRECCIÓN DEL TITULAR DE LA LICENCIA: Greenville, SC 29607

Solo Estados Unidos y Canadá

Définitions : Symbole et Termes d'Alerte de Sécurité

Le présent manuel d'instructions utilise les symboles et les termes d'alerte de sécurité suivants pour vous avertir des situations dangereuses et des risques de blessures corporelles ou de dommages matériels.

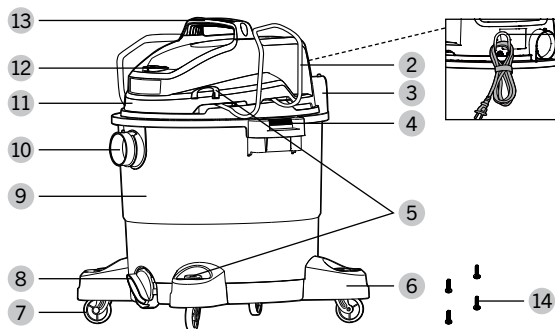
! DANGER: Indique une situation de danger immédiat qui, si elle n'est pas évitée, **risque d'entraîner des blessures graves, voire la mort.**

! AVERTISSEMENT: Indique une situation de danger potentiel qui, si elle n'est pas évitée, **peut entraîner des blessures graves, voire la mort.**

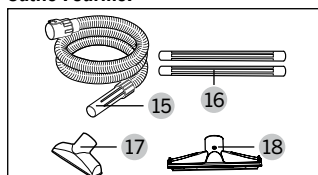
! ATTENTION: Indique une situation de danger potentiel qui, si elle n'est pas évitée, **peut entraîner des blessures mineures ou modérées.**

! (Utilisé sans mot) Indique un message lié à la sécurité.

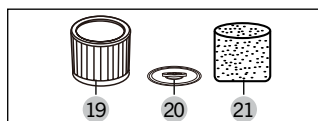
REMARQUE: Indique une pratique **non liée aux blessures corporelles** qui, si elle n'est pas évitée, **peut entraîner des dommages matériels.**



Outils Fournis:





Filtres Inclus:




COMPOSANTS

- | | | | |
|---|---------------------------------------|--|---|
| 1 Compartiment de rangement pour le cordon d'alimentation | 6 Pied Muni de Roulette | 13 Poignée | 19 Filtre à cartouche |
| 2 Support de rangement du tuyau | 7 Roulette | 14 Vis (4) | 20 Porte-filtre |
| 3 Orifice du Souffleur | 8 Prise de vidange | 15 Tuyau | 21 Filtre En Mousse Pour Aspirateur Eau |
| 4 Loquet | 9 Réservoir Collecteur | 16 Tubes de rallonge (2) | |
| 5 Emplacement de rangement des accessoires | 10 Orifice d'aspiration | 17 Suceur À Usages Multiples | |
| | 11 Bloc moteur | 18 Brosse À Planchers/ Buse De Racloir | |
| | 12 Commutateur On/ Off (Marche/Arrêt) | | |

 **AVERTISSEMENT:** *Veuillez lire l'intégralité des avertissements de sécurité et des consignes. Le non-respect de ces avertissements et consignes peut entraîner des électrocutions, des incendies et/ou de graves blessures corporelles.*

 **AVERTISSEMENT:** *Ne jamais modifier le produit ni aucune pièce de celui-ci. Cela risque d'entraîner des dommages matériels ou des blessures corporelles.*

 **AVERTISSEMENT:** *Afin de réduire tous risques de blessures, veuillez lire le présent manuel d'instructions.*

Si vous avez des questions ou des commentaires concernant ce produit ou tout autre produit, veuillez appeler CRAFTSMAN au numéro sans frais suivant : 1-888-331-4569.

CMXEVCVVJF910

! **DANGER:** NE JAMAIS FAIRE FONCTIONNER CET APPAREIL EN PRÉSENCE DE MATÉRIAUX OU DE VAPEURS INFLAMMABLES. L'UTILISATION DE CET APPAREIL EN PRÉSENCE DE MATÉRIAUX OU DE VAPEURS INFLAMMABLES PEUT ENTRAÎNER DES RISQUES D'INCENDIE OU D'EXPLOSION.

! **AVERTISSEMENT:** VEILLEZ À LIRE ET ASSIMILER TOUTES LES CONSIGNES AVANT TOUTE UTILISATION DU PRÉSENT ASPIRATEUR.

Veillez à lire et assimiler le présent manuel d'utilisation ainsi que toutes les étiquettes apposées sur l'aspirateur avant de l'utiliser. La sécurité est une combinaison de bon sens, de vigilance et de connaissance du fonctionnement de l'aspirateur. Utilisez cet aspirateur exclusivement ainsi que décrit dans le présent manuel d'utilisation. Afin de réduire tout risque de blessures corporelles ou d'endommagement de l'aspirateur, utilisez uniquement les accessoires recommandés par le fabricant.

! **AVERTISSEMENT:** NE PAS UTILISER CET ASPIRATEUR POUR ASPIRER DES DÉBRIS DE PEINTURE AU PLOMB OU DE LA SILICE, CAR CELA RISQUE DE DISPERSER DE FINES PARTICULES DE PLOMB OU DE SILICE DANS L'AIR. CET ASPIRATEUR N'EST PAS CONÇU POUR ÊTRE UTILISÉ EN VERTU DU RÈGLEMENT EPA 40 CFR PARTIE 745 POUR LE NETTOYAGE DE MATÉRIAUX DE PEINTURE AU PLOMB.

! **AVERTISSEMENT:** CE PRODUIT NE DOIT PAS SERVIR À FILTRER DES AGENTS PATHOGÈNES, PAR EXEMPLE LE VIRUS DE LA COVID-19. RESPECTEZ L'ENSEMBLE DES DIRECTIVES LOCALES, ÉTATIQUES ET FÉDÉRALES RELATIVES AUX PRATIQUES GÉNÉRALES DE NETTOYAGE.

**CONSERVEZ CE
MANUEL AFIN**

**DE POUVOIR
VOUS Y RÉFÉRER
ULTÉRIEUREMENT.**

L'utilisation d'un appareil électrique exige le respect de certaines mesures de sécurité élémentaires, notamment les suivantes. Le non-respect des avertissements et consignes ci-dessous peut entraîner des risques d'explosion, d'incendie et/ou de blessures graves.

! **AVERTISSEMENT:**
AFIN DE RÉDUIRE TOUS RISQUES D'INCENDIE, D'ÉLECTROCUTION OU DE BLESSURES:

- a) Ne pas faire fonctionner l'aspirateur sans surveillance.
- b) Ne pas utiliser l'appareil pour aspirer des liquides inflammables ou combustibles, notamment de l'essence, et ne pas l'utiliser dans des endroits où ces substances peuvent être présentes.
- c) Ne pas aspirer, ni utiliser cet aspirateur à proximité de liquides, de gaz ou de vapeurs explosives inflammables, notamment de l'essence ou tous autres combustibles, l'essence pour briquets, les produits de nettoyage, les peintures à base d'huile, le gaz naturel, l'hydrogène ou les poussières explosives, notamment la poussière de charbon, la poussière de magnésium, la poussière de grain ou la poudre à canon. Les étincelles à l'intérieur du moteur peuvent déclencher des vapeurs ou poussières inflammables.
- d) Afin de réduire les risques pour la santé provenant des vapeurs ou poussières, n'aspirez pas de matières toxiques.
- e) Ne pas utiliser ni entreposer l'aspirateur à proximité de matériaux dangereux.
- f) Ne pas aspirer de matières en combustion ou qui dégagent de la fumée, telles que des cigarettes, des allumettes ou des cendres chaudes.
- g) À ne pas exposer à la pluie. Rangez l'appareil à l'intérieur.
- h) En cas de dysfonctionnement, de chute, d'endommagement, d'abandon à l'extérieur, ou de chute dans de l'eau, de l'aspirateur,

ramenez celui-ci à un centre de réparation.

- i) Ne pas débrancher l'appareil en tirant sur le cordon. Pour débrancher, saisissez la fiche, pas le cordon.
- g) Ne pas utiliser l'appareil si le cordon ou la fiche est endommagé(e).
- k) Ne tirez ou ne portez pas l'appareil en utilisant le cordon. N'utilisez pas celui-ci comme poignée ou pour fermer une porte et ne l'enroulez pas autour de bords coupants ou d'arêtes vives.
- l) Maintenez le cordon à l'écart de toutes surfaces chaudes.
- m) Ne pas faire passer l'aspirateur sur le cordon.
- n) Ne pas manipuler la fiche d'alimentation ou l'aspirateur avec des mains mouillées.
- o) Ne pas utiliser sans le sac à poussières et/ou les filtres en place.
- p) Ne pas permettre que l'appareil soit utilisé comme un jouet. Soyez très attentif s'il est utilisé par des enfants ou si des enfants se trouvent à proximité.
- q) Afin de réduire les risques de blessures provoquées par un démarrage accidentel, débranchez le cordon d'alimentation avant le changement ou le nettoyage du filtre.
- r) Ne pas laisser l'aspirateur branché. Pensez à le débrancher de la prise lorsque vous ne l'utilisez pas ou avant de le réparer ou de l'entretenir.
- s) Coupez toutes les commandes de l'appareil avant de le débrancher.
- t) Débranchez le produit avant de brancher ou de débrancher le tuyau ou tout autre accessoire.
- u) N'introduire aucun objet dans les orifices de l'appareil. Ne pas utiliser l'appareil si un orifice est bouché. Faites en sorte que les orifices ne soient pas encombrés de poussières, peluches, cheveux ou de toute autre objet susceptible de gêner la circulation de l'air.
- v) Maintenez vos cheveux, vêtements amples, doigts et toutes parties du corps à l'écart des orifices et des pièces mobiles.
- w) Faites très attention lorsque vous nettoyez des escaliers.
- x) N'utilisez cet appareil que conformément aux descriptions fournies dans le présent manuel d'utilisation. Utilisez exclusivement des accessoires recommandés par le fabricant.
- y) Cet aspirateur est muni d'une double isolation. N'utilisez que des pièces de

rechange identiques. Voir la section « INSTRUCTIONS RELATIVES À LA DOUBLE ISOLATION ».



AVERTISSEMENT:

AFIN DE RÉDUIRE TOUTS RISQUES D'ÉLECTROCUTION OU DE BLESSURES DUES À DES PIÈCES MOBILES, DÉBRANCHEZ LE PRODUIT AVANT DE PROCÉDER À SON NETTOYAGE OU SON ENTRETIEN OU SA RÉPARATION.



AVERTISSEMENT:

LORSQUE VOUS UTILISEZ LE PRODUIT EN GUISE DE SOUFFLEUR :

Orientez le rejet d'air vers la zone de travail uniquement.

Ne pas utiliser l'aspirateur eau et poussières comme pulvérisateur.

Ne pas orienter le rejet d'air vers les personnes se trouvant à proximité.

Tenez les enfants à l'écart lors du soufflage.

Portez des lunettes de sécurité.

CONSERVEZ LES PRÉSENTES CONSIGNES

À l'Usage Exclusif des Ménages et des Ateliers

INSTRUCTIONS RELATIVES À LA DOUBLE ISOLATION

Double Isolation

Les appareils à double isolation sont entièrement construits avec deux couches distinctes d'isolation électrique ou une couche unique d'isolation renforcée entre l'utilisateur et le système électrique de l'appareil. Les produits construits avec ce système d'isolation ne sont pas conçus pour être mis à la terre. Par conséquent, cet appareil est équipé d'une fiche à deux broches qui permet de l'utiliser sans se soucier de maintenir une mise à la terre.

REMARQUE: La double isolation ne tient pas lieu de mesures de précautions de sécurité normales lors de l'utilisation de cet appareil. Le système d'isolation secondaire sert à protéger contre toutes blessures résultant d'une éventuelle défaillance de l'isolation primaire dans le produit.

⚠ ATTENTION: *LORS DE RÉPARATIONS, UTILISEZ UNIQUEMENT DES PIÈCES DE RECHANGE IDENTIQUES. RÉPAREZ OU REMPLACEZ LES CORDONS ENDOMMAGÉS.*

Fiches Polarisées

Les prises polarisées (une lame est plus large que l'autre) sont utilisées sur les équipements pour réduire tous risques d'électrocution. Lorsqu'elle fournie, ladite fiche s'insère dans une prise polarisée uniquement dans un sens.

⚠ AVERTISSEMENT: *NE PAS MODIFIER LA FICHE DE QUELQUE MANIÈRE QUE CE SOIT. SI LA FICHE NE S'INSÈRE PAS COMPLÈTEMENT DANS LA PRISE, INVERSEZ LA FICHE. SI LA FICHE NE S'INSÈRE TOUJOURS PAS CORRECTEMENT, CONTACTEZ UN ÉLECTRICIEN QUALIFIÉ AFIN QU'IL INSTALLE UNE PRISE DE COURANT ADAPTÉE.*

CORDONS PROLONGATEURS

Lors de l'utilisation d'un cordon prolongateur avec votre aspirateur eau et poussière, reportez-vous au tableau suivant afin de déterminer le calibre du câble A.W.G. requis. Avant d'utiliser l'aspirateur, assurez-vous que le cordon d'alimentation et le cordon prolongateur sont en bon état de fonctionnement. Effectuez toute réparation ou tout remplacement avant d'utiliser l'aspirateur. Utilisez exclusivement des cordons prolongateurs conçus pour une utilisation à l'extérieur.

		Longueur du cordon prolongateur			
120V		25 pouces (7,62 m)	50 pouces (15,24 m)	100 pouces (30,48 m)	150 pouces (45,72 m)
Ampérage		A.W.G. Calibre du câble			
Plus de	Pas plus de				
0	6	18	16	16	14
6	10	18	16	14	12
10	12	16	16	14	12
12	16	14	12	Déconseillé	

DÉBALLAGE

⚠ AVERTISSEMENT: *ASSUREZ-VOUS QUE LE CORDON D'ALIMENTATION EST DÉBRANCHÉ DE LA PRISE DE COURANT.*

1. Déverrouillez les loquets 4.
2. Soulevez le bloc-moteur 11 pour le détacher du réservoir collecteur 9.
3. Retirez le contenu de l'intérieur du réservoir collecteur 9, assurez-vous que vous disposez bien de tout le contenu tel qu'indiqué à la page 26.

MONTAGE

Système de Roulettes

4. Retournez le réservoir collecteur, puis insérez les quatre pieds à roulettes 6 dans les fentes situées sur le réservoir collecteur, puis serrez-les à l'aide des vis fournies 14. Assurez-vous que les pieds à roulettes 6 sont montés correctement. Ne pas serrer les vis excessivement. **Illustration 1.**

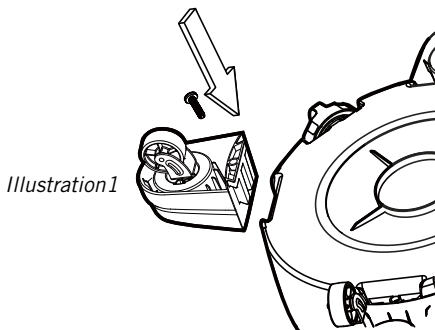


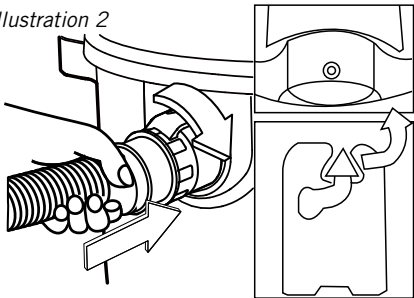
Illustration 1

CONFIGURATION GÉNÉRALE

5. Votre aspirateur est livré prêt pour l'aspiration à sec. Si le filtre à cartouche n'est pas installé, reportez-vous à la page 32-33 pour trouver les instructions relatives à l'installation du filtre.
6. Pour l'aspiration de matériaux humides, retirez le filtre cartouche, puis installez le filtre en mousse pour aspirateur eau fourni. Voir page 34 pour trouver les instructions relatives à l'installation du filtre en mousse pour aspirateur eau.

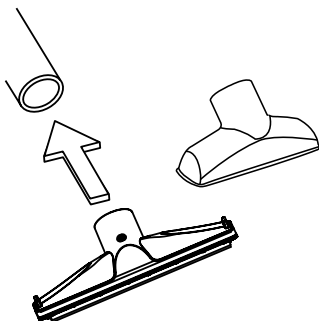
7. Remplacez le bloc-moteur sur le réservoir collecteur, puis et fixez-le en place à l'aide des loquets.
8. Insérez la plus grande extrémité du tuyau 15 dans l'orifice d'aspiration situé sur le réservoir collecteur 9, puis verrouillez-la en place. **Illustration 2.**

Illustration 2



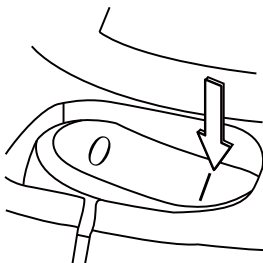
9. Choisissez l'accessoire souhaité 17 18 et/ou les tubes de rallonge 16, puis insérez-les sur l'extrémité du tuyau 15. **Illustration 3.**

Illustration 3



10. Raccordez le cordon d'alimentation à la prise de courant. Mettez le moteur en marche en positionnant le commutateur On/Off (Marche/Arrêt) 12 sur « I » ON (Marche), puis commencez à aspirer. **Illustration 4.**

Illustration 4



AVERTISSEMENT:
 UNE FOIS QUE VOUS AVEZ FINI DE PASSER L'ASPIRATEUR, POSITIONNEZ LE COMMUTATEUR ON/OFF (MARCHE/ARRÊT) SUR « 0 » OFF (ARRÊT), PUIS DÉBRANCHEZ LE CORDON D'ALIMENTATION DE LA PRISE.
 0 = OFF (ARRÊT) 1 = ON (MARCHE)

FONCTIONNEMENT DU SOUFFLEUR

Cet aspirateur eau et poussières est doté de capacités de soufflage. Pour utiliser la fonction de soufflage, suivez les instructions qui sont listées.

AVERTISSEMENT:
 PORTEZ TOUJOURS DES LUNETTES DE SÉCURITÉ CONFORMES À LA NORME ANSI Z87.1 (OU AU CANADA, LA NORME CSAZ94.3) LORSQUE VOUS UTILISEZ UN SOUFFLEUR.

AVERTISSEMENT:
 VEILLEZ À CE QUE LES DÉBRIS NE SOIENT PAS SOUFLÉS VERS LES PERSONNES SE TROUVANT À PROXIMITÉ.

AVERTISSEMENT:
 PORTEZ UN MASQUE ANTI-POUSSIÈRES SI LE SOUFLAGE CRÉE DES POUSSIÈRES SUSCEPTIBLES D'ÊTRE INHALÉES.

AVERTISSEMENT:
 ASSUREZ-VOUS QUE LE CORDON D'ALIMENTATION EST DÉBRANCHÉ DE LA PRISE DE COURANT.

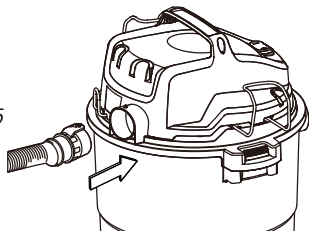
ATTENTION: ASSUREZ-VOUS QUE LE RÉSERVOIR COLLECTEUR EST VIDE AVANT DE L'UTILISER EN GUISE DE SOUFFLEUR. NETTOYEZ LE TUYAU ET LE RÉSERVOIR COLLECTEUR DE TOUTES LES SALETÉS ET DE TOUTS LES DÉBRIS.

11. Retirez le tuyau 15 de l'orifice d'aspiration 10.
12. Insérez la plus grande extrémité du tuyau 15 dans l'orifice du souffleur 3 au dos du

bloc-moteur, puis verrouillez-la en place.

Illustration 5.

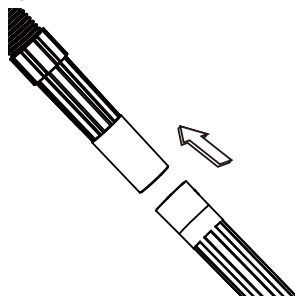
Illustration 5



13. Choisissez l'accessoire souhaité, puis insérez-le à l'extrémité du tuyau 15.

Illustration 6.

Illustration 6



14. Avant de mettre en marche l'aspirateur, tenez fermement l'extrémité libre du tuyau. Raccordez le cordon d'alimentation à la prise de courant. Mettez le moteur en marche en positionnant le commutateur sur « I » ON (Marche).

! AVERTISSEMENT:

UNE FOIS QUE VOUS AVEZ FINI DE PASSER L'ASPIRATEUR, POSITIONNEZ LE COMMUTATEUR D'ALIMENTATION SUR « 0 » OFF (ARRÊT), PUIS DÉBRANCHEZ LE CORDON D'ALIMENTATION DE LA PRISE DE COURANT.

INSTALLATION ET NETTOYAGE DES FILTRES

Ramassage de Détritus Secs

REMARQUE: Nettoyez ou remplacez le filtre régulièrement pour obtenir des performances optimales. **UTILISEZ TOUJOURS UN FILTRE À CARTOUCHE POUR L'ASPIRATION DE MATÉRIEAUX SECS.** En cas d'utilisation de la machine sans le filtre à cartouche, cela peut entraîner la surchauffe du moteur et la perte du

droit à la garantie. Gardez toujours des filtres de rechange à portée de main.

REMARQUE: Les filtres fournis ont été conçus avec du matériel de haute qualité destiné à bloquer les petites particules de poussière. Le filtre cartouche doit être utilisé exclusivement pour l'aspiration de matériaux secs. Un filtre cartouche pour matériaux secs est requis pour l'aspiration de la poussière. Si le filtre cartouche est humide, il se bouchera très rapidement et il sera difficile de le nettoyer. Manipulez le filtre avec précaution lorsque vous le retirez pour son nettoyage et son remplacement. Vérifiez l'état des filtres afin de détecter des signes d'usure ou de petits trous éventuels. Un petit trou peut laisser passer la poussière à travers le filtre. N'utilisez pas un filtre troué ou déchiré ; remplacez-le immédiatement.

INSTALLATION ET NETTOYAGE DU FILTRE À CARTOUCHE:

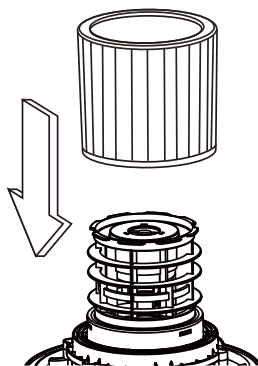


AVERTISSEMENT:

ASSUREZ-VOUS QUE LE CORDON D'ALIMENTATION EST DÉBRANCHÉ DE LA PRISE DE COURANT.

15. Retirez le bloc moteur, puis retournez-le.
16. Installez le filtre à cartouche 19 sur la cage du filtre en vous assurant que la cage est complètement recouverte. **Illustration 7.**

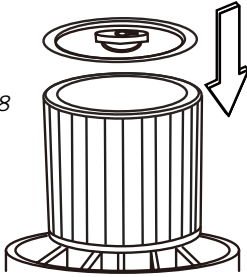
Illustrations 7



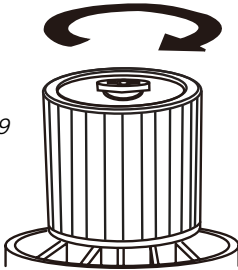
17. Placez le cache de protection du filtre 20 sur la partie supérieure du filtre à cartouche 19 au-dessus de la lèvres surélevée, puis serrez en tournant le cache de protection dans le sens des aiguilles d'une montre; ne

pas serrer excessivement. **Illustrations 8 à 9.**

Illustrations 8

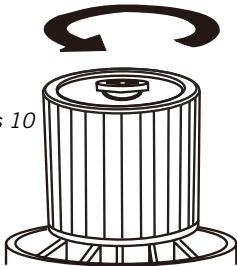


Illustrations 9

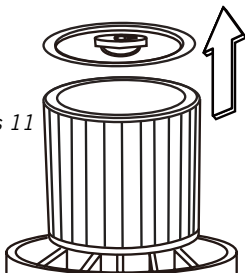


18. Pour retirer le filtre à cartouche, déverrouillez et retirez le cache de protection du filtre 20 en tournant la poignée du cache de protection dans le sens inverse des aiguilles d'une montre. **Illustrations 10 et 11.**

Illustrations 10

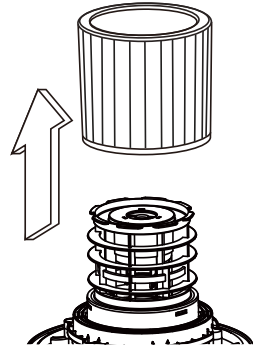


Illustrations 11



19. Avec le bloc-moteur retiré et renversé, retirez avec précaution le filtre à cartouche 19 de la cage du filtre. **Illustration 12.**

Illustration 12



20. Nettoyez le filtre à cartouche 19 en le tapotant délicatement ou en le brossant pour en éliminer toutes saletés..

! ATTENTION: LE NETTOYAGE NE DOIT PAS ÊTRE EFFECTUÉ À L'INTÉRIEUR DANS DES PIÈCES D'HABITATION. UN NOUVEAU FILTRE EST RECOMMANDÉ POUR UNE PERFORMANCE OPTIMALE.

VIDANGE DES DÉCHETS SECS DU RÉSERVOIR

! AVERTISSEMENT: ASSUREZ-VOUS QUE LE CORDON D'ALIMENTATION EST DÉBRANCHÉ DE LA PRISE DE COURANT.

21. Retirez le tuyau 15 de l'aspirateur. Desserrez les loquets 4, puis retirez le bloc-moteur 11 du réservoir collecteur. **Illustration 13.** Placez le bloc-moteur à l'envers sur une surface souple et propre. Éliminez toutes les saletés ou débris du réservoir collecteur et du tuyau. Remplacez le moteur sur le réservoir collecteur, puis fixez solidement les loquets.

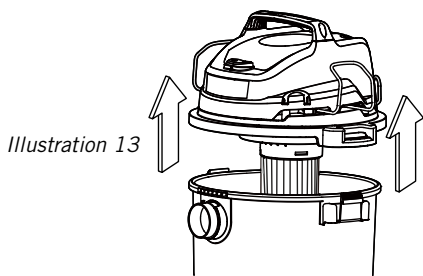


Illustration 13

Ramassage de Détritus Humides

IMPORTANT ! Lors de l'aspiration d'importantes quantités de liquides, ne pas plonger le suceur entièrement dans le liquide. Laissez un espace au bout de l'ouverture du suceur afin de permettre l'entrée d'air. L'appareil dispose d'une vanne à flotteur qui arrête l'aspiration lorsque le réservoir collecteur atteint sa capacité maximale. Vous remarquerez une accélération de la vitesse du moteur.

⚠ AVERTISSEMENT:
LORSQUE CELA SE PRODUIT, METTEZ HORS TENSION LA MACHINE, COUPEZ L'ALIMENTATION ÉLECTRIQUE, PUIS VIDEZ LE LIQUIDE DANS UN RÉCIPIENT OU UN DRAIN APPROPRIÉ. POUR CONTINUER À ASPIRER, REMETTEZ LE RÉSERVOIR COLLECTEUR EN PLACE AVEC LE BOUCHON DE VIDANGE. APRÈS ASPIRATION DE DÉTRITUS HUMIDES, METTEZ HORS TENSION LA MACHINE, PUIS DÉBRANCHEZ LA FICHE DE L'ALIMENTATION ÉLECTRIQUE. VIDEZ LE RÉSERVOIR COLLECTEUR, NETTOYEZ ET SÉCHEZ L'INTÉRIEUR ET L'EXTÉRIEUR AVANT RANGEMENT.

REMARQUE: Vous devez retirer le filtre en mousse pour aspirateur eau après aspiration de matériaux humides. Ensuite, installez un filtre à cartouche avant de procéder de nouveau à l'aspiration de matériaux secs.

INSTALLATION ET NETTOYAGE DU FILTRE EN MOUSSE POUR ASPIRATEUR EAU:

⚠ AVERTISSEMENT:
ASSUREZ-VOUS QUE LE CORDON D'ALIMENTATION EST DÉBRANCHÉ DE LA PRISE DE COURANT.

22. Retirez le bloc moteur, puis retournez-le. Suivez les instructions relatives au retrait du filtre à cartouche à la page 32-33.
23. Faites coulisser avec précaution le filtre en mousse pour aspirateur eau **21** sur la cage du filtre en vous assurant que la cage est complètement recouverte. **Illustration 14.**

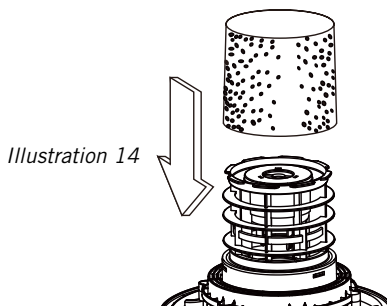


Illustration 14

24. Pour retirer le filtre en mousse pour aspirateur eau, placez le bloc-moteur retiré à l'envers, puis retirez avec précaution le filtre en mousse pour aspirateur eau **21**. **Illustration 15.**

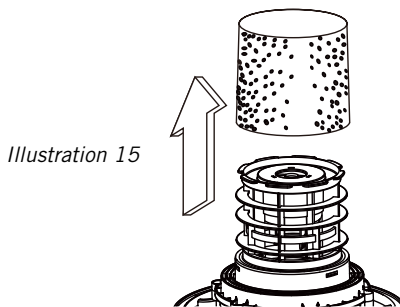
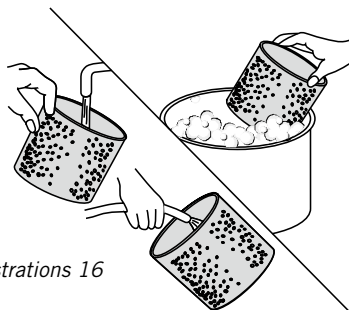


Illustration 15

25. Utilisez une solution d'eau et de savon doux pour laver le filtre en mousse pour aspirateur eau **21**, puis rincez-le à l'eau propre. **Illustration 16.**

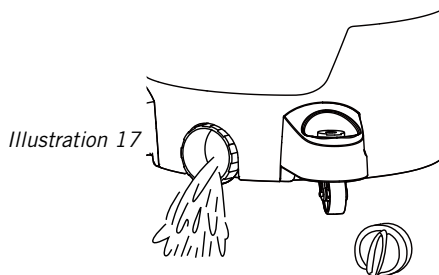


Illustrations 16

26. Laissez sécher le filtre humide à l'air libre pendant 24 heures avant de l'installer sur la cage de filtre.

VIDANGE DES DÉCHETS LIQUIDES DU RÉSERVOIR

27. Après ramassage de débris humides, videz le réservoir collecteur **9** en dévissant le bouchon de vidange. Videz les liquides dans un récipient ou dans un système d'évacuation approprié. **Illustration 17** N'oubliez pas de remettre le bouchon de vidange sur le réservoir collecteur.



RANGEMENT

Avant de ranger votre aspirateur, le réservoir collecteur doit être vidé et nettoyé. Les accessoires doivent être nettoyés et rangés afin d'être facilement disponibles en cas de besoin. Rangez l'aspirateur eau et poussières à l'intérieur. Pour faciliter le rangement, le tuyau **15** peut être enroulé autour du support de rangement du tuyau **2** et les accessoires peuvent être insérés dans les emplacements de rangement des accessoires **5** de l'aspirateur.

ENREGISTREMENT EN LIGNE

Nous vous remercions pour votre achat. Enregistrez votre produit maintenant afin de bénéficier des avantages suivants:

- **SERVICE SOUS GARANTIE:** L'enregistrement de votre produit vous permettra d'obtenir un service sous garantie plus efficace en cas de problème avec votre produit.
- **CONFIRMATION DU DROIT DE PROPRIÉTÉ:** En cas de pertes d'assurance, notamment incendie, inondation ou vol, votre enregistrement du droit de propriété vous servira de preuve d'achat.

• POUR GARANTIR VOTRE SÉCURITÉ:

L'enregistrement de votre produit nous permettra de vous contacter dans le cas peu probable où une notification de sécurité serait requise en vertu de la Loi fédérale sur la sécurité des produits de consommation. Enregistrez votre produit en ligne à l'adresse suivante: www.craftsman.com/registration

GARANTIE LIMITÉE DE 3 ANS

CRAFTSMAN s'engage à réparer ou à remplacer, sans frais, tous défauts de matériel ou de fabrication pendant trois ans à compter de la date d'achat. La présente garantie ne couvre pas les défaillances des pièces dues à l'usure normale ou à une utilisation abusive des outils. Pour de plus amples détails sur la couverture de la garantie et les informations relatives à la réparation sous garantie, veuillez visiter le site Web: www.craftsman.com ou composer le numéro: **1-888-331-4569**. La présente garantie ne s'applique pas aux accessoires ou aux dommages causés lorsque des réparations ont été effectuées ou tentées par des tiers. **LA PRÉSENTE GARANTIE LIMITÉE EST DONNÉE EN LIEU ET PLACE DE TOUTES LES AUTRES, Y COMPRIS LA GARANTIE IMPLICITE DE QUALITÉ MARCHANDE ET D'ADÉQUATION À UN USAGE PARTICULIER, ET EXCLUT TOUS LES DOMMAGES ACCESSOIRES OU INDIRECTS.** Certains États n'autorisent pas la limitation de la durée d'une garantie implicite ou l'exclusion ou la limitation des dommages accessoires ou indirects, de sorte que ces limitations peuvent ne pas s'appliquer à vous. La présente garantie vous accorde des droits légaux spécifiques, mais vous pouvez avoir d'autres droits qui varient en fonction des États ou Provinces.

GARANTIE DE REMBOURSEMENT DE 90 JOURS

Si, pour une raison quelconque, vous n'êtes pas entièrement satisfait du fonctionnement de votre aspirateur eau et poussières CRAFTSMAN, vous pouvez le retourner dans les 90 jours suivant la date d'achat, accompagné d'un reçu, pour un remboursement complet, sans vous voir poser des questions.

AMÉRIQUE LATINE: La présente garantie ne s'applique pas aux produits vendus en Amérique latine. Pour ce qui concerne les produits vendus en Amérique latine, consultez les informations de garantie spécifiques à chaque pays figurant sur l'emballage, appelez l'entreprise locale ou consultez le site Web pour

obtenir des informations sur les conditions de garantie.

REPLACEMENT GRATUIT DES ÉTIQUETTES

D'AVERTISSEMENT: Si vos étiquettes d'avertissement deviennent illisibles ou sont manquantes, veuillez composer le numéro: 1-888-331-4569 afin d'en obtenir un remplacement gratuit.

DÉPANNAGE

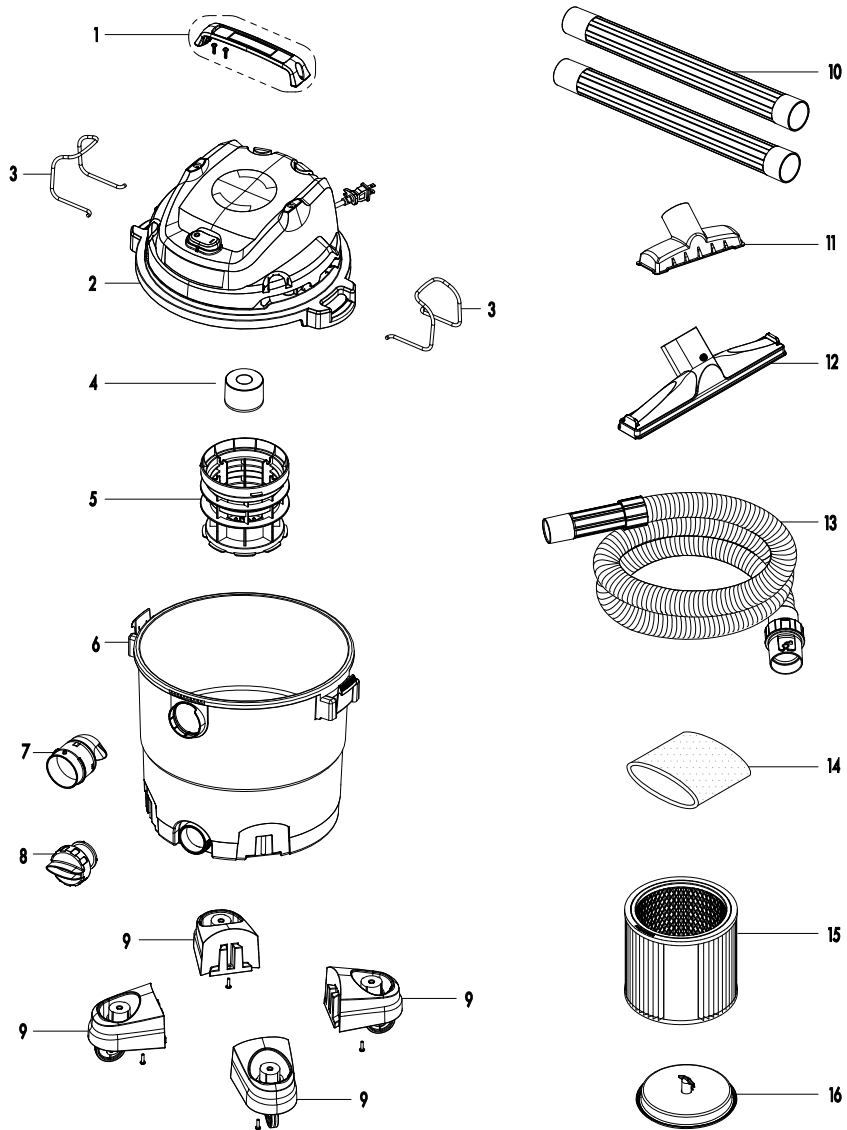


AVERTISSEMENT: *AFIN DE RÉDUIRE TOUS RISQUES D'ÉLECTROCUTION, DÉBRANCHEZ L'APPAREIL AVANT DE PROCÉDER AU DÉPANNAGE.*

Pour obtenir de l'aide concernant votre produit, veuillez visiter notre site Web à l'adresse: www.craftsman.com pour obtenir une liste des centres de services, ou appelez CRAFTSMAN en composant le numéro: 1-888-331-4569.

PROBLÈME	CAUSE POSSIBLE	SOLUTION
L'aspirateur eau et poussières ne fonctionne pas.	Absence d'alimentation.	Contrôlez la source d'alimentation, le cordon, les disjoncteurs et les fusibles.
	Cordon d'alimentation défectueux.	Débranchez et vérifiez le cordon d'alimentation. S'il est endommagé, faites-le réparer par un professionnel.
	Le réservoir collecteur est plein.	Videz le réservoir collecteur.
	Le commutateur n'est pas correctement positionné.	Appuyez sur le bouton ON « I » sur le bloc moteur.
De la poussière s'échappe du capot du moteur.	Absence ou endommagement du filtre cartouche.	Fixez ou remplacez le filtre cartouche.
	L'aspirateur a été utilisé pour recueillir de la poussière fine, telle que la poussière de placoplâtre, la suie de cheminée ou des cendres, sans filtre à poussière fine en place.	Retirez le filtre à cartouche standard, puis installez le filtre à poussière fine approprié (disponible séparément).
Efficacité réduite et vibrations du moteur/en vitesse.	Il y a des obstructions dans la buse, le tuyau ou les entrées du réservoir collecteur.	Débranchez et assurez-vous que les entrées de la buse, du tuyau et du réservoir collecteur ne sont pas bouchées.
	Le filtre cartouche est obstrué par des poussières fines.	Retirez le filtre, puis nettoyez-le ou installez un filtre cartouche neuf.

VUE ÉCLATÉE



LISTE DES PIÈCES

Pièce	Numéro de plan	Description	Quantité
1	551551101	Manche	1
2		Montage du bloc moteur	1
3	551015102	Support de rangement du tuyau	2
4	551416106	Flotteur	1
5	551437105	Logement de filtre	1
6		Réservoir Collecteur	1
7	551011106	Orifice d'aspiration	1
8	551002110	Ensemble bouchon de vidange	1
9	551015104	Ensemble Pieds Munis de Roulettes	4
10	551390102	Tube de rallonge	2
11	551011109	Suceur À Usages Multiples	1
12	551011110	Brosse à planchers/Suceur-raclette	1
13	551011111	Tuyau	1
14	551002118	Filtre En Mousse Pour Aspirateur Eau	1
15	551030114	Filtre à cartouche	1
16	551004104	Porte-filtre	1

CRAFTSMAN®

est une marque déposée appartenant à Stanley Black & Decker, Inc. et utilisée sous licence.

© 2021 CRAFTSMAN

Produit Fabriqué par : Cleva North America, Inc.

NOM DU DÉTENTEUR DE LA LICENCE : Cleva North America, Inc.

ADRESSE DU DÉTENTEUR DE LA LICENCE : Greenville, SC 29607

États-Unis et Canada Exclusivement

