

INSTALLATION INSTRUCTIONS FOR P1032-L

For LED Pendant OR Semi-flush mount

READ AND SAVE THESE INSTRUCTIONS

WARNING! SHUT POWER OFF AT FUSE OR CIRCUIT BREAKER
AVERTISSEMENT! COUPER LE COURANT AU NIVEAU DES FUSIBLES OU DO DISJONCTEU

ASSEMBLING THE FIXTURE (Fig.1 Fig. 2)

- 1 Shut off power at the fuse box or circuit breaker. If necessary, remove the old fixture including the mounting hardware.
- 2 Carefully remove the fixture from the carton and check that all parts are included as show in Figure 1.
- 3 Thread the two screws (D) into the pre-drilled holes on the crossbar (A) (Part#A-010) spaced the same distance apart as the holes in canopy (G). Secure mounting strap (A) to the junction box using mounting screws (B) (Size: 8*32*1/2"L). The side of the mounting back plate marked "GND" must face out.
- 4 This fixture includes three 12" and one 3" rod. Determine the desired hanging height and thread rods F1 (Part#W30-1-077), F2 (Part#W30-1-077), F3 (Part#W30-3-077) to nipple (I). Pass the wires carefully through each rod during assembly. Next place canopy (G) over rods (F) and thread swivel (H) to rod (F). Please remove the nipple if installing with one 3" rod only.

CONNECTING THE WIRES (Fig. 3)

- 5 Connect the electrical wire as shown in figure 3, making sure that all wire connectors are secured. If your outlet has a ground wire (green or bare copper), connect the ground wire from the hanger ball and mounting plate to it. Otherwise connect fixture ground wire directly to the crossbar using the green screw (C) provided. Tuck the wire connections neatly into the ceiling junction box as you hold the canopy towards the ceiling.

FINISHING THE INSTALLATION (Fig.1)

- 6 Align the canopy (G) onto screws (D) and secure with cap nuts (E).
- 7 Align glass (J) to frame and secure with finial (K).

Your installation is now complete. Return power to the junction box and test the fixture.

CAUTION/ATTENTION: When handling the fixture, do not apply pressure to the LEDs. Hold the fixture by the frame only.

Replacing LED module (Fig. 4)

The LED module can be replaced by a qualified electrician without cutting of wire and without damage to any decorative element to which the fixture is attached. See installation steps for more details (Fig. 5)

Warning: Turn off power at the circuit breaker before replacing LED module.

- a. Loosen finial (K) remove glass (J), and loosen screws (N) remove frame (V) then loosen screws (M) remove fabric (U).
- b. Loosen screws (T) and remove gasket (P2), glass (S), spacer (R).
- c. Loosen screws (L, Q) and remove gasket (P1). Carefully remove LED module (O) from pan (W) and disconnect the wire using screwdriver from wire connector (X).
- d. Reverse steps a-c for installing the new LED module.

Note: The LED module should be provided by a specified supplier.

IMPORTANT: Fixture should be installed by a qualified electrician to ensure proper wiring and installation.

Dimmable with ELV and/or LED compatible wall dimmer switches

Fig.1

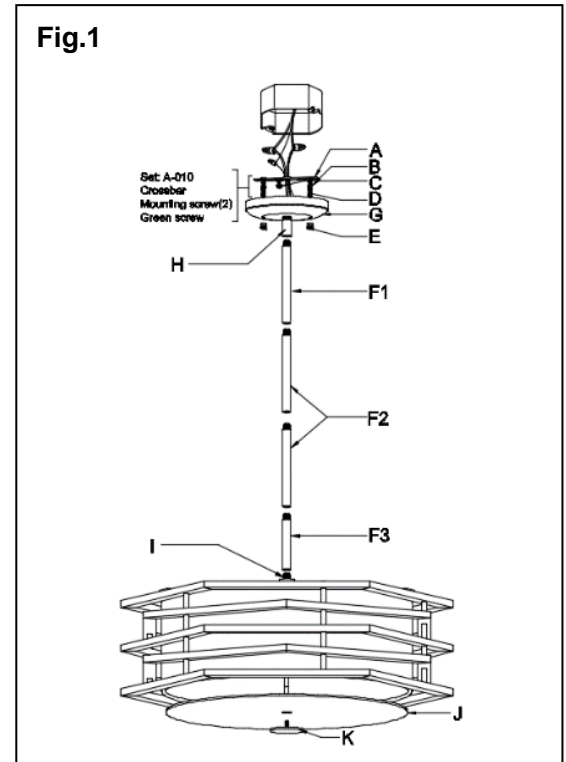


Fig.2

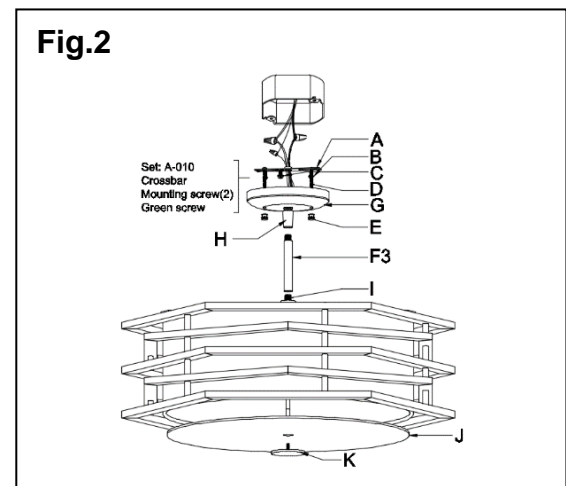


Fig.4

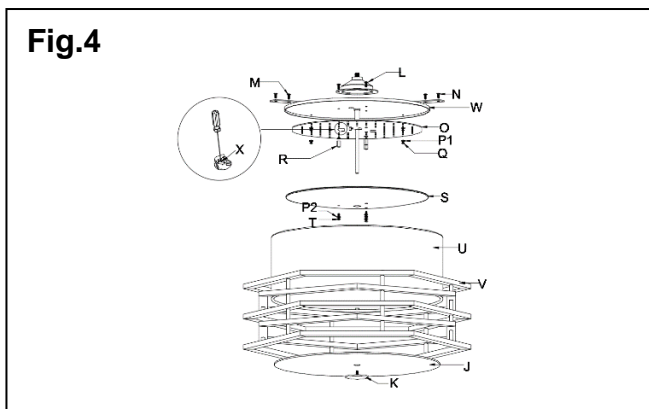


Fig.3

<p>FIXTURE WIRES Black or Smooth</p>	<p>FIXTURE WIRES WHITE OR RIBBED</p>	<p>FIXTURE WIRES Green or Bare Copper (Ground)</p>
<p>HOUSE WIRES Black (Hot)</p>	<p>HOUSE WIRES White (Neutral)</p>	<p>HOUSE WIRES Green or Bare Copper (Ground)</p>

