



Devonshire® | K-1184

60" x 32" drop-in bath

Features

- Integral lumbar support and armrests offer extra comfort while bathing
- Textured bottom surface
- Coordinates with other products in the Devonshire collection
- 60" (1524 mm) x 32" (813 mm) x 20" (508 mm)



Available Colors/Finishes

Color tiles intended for reference only.

■ 0 White



1-800-4KOHLER (1-800-456-4537)
Kohler Co. reserves the right to make revisions without notice to product specifications.
For the most current specification sheet, go to www.kohler.com USA or www.kohler.ca Canada.
3-27-2026 19:50 - US-CA

THE BOLD LOOK
OF **KOHLER**®

Codes/Standards

CSA B45.5/IAPMO Z124
 ASTM E162
 ASTM E662

Technical Information

All product dimensions are nominal.

Drain Location:	Reversible
Drain Hole Diameter:	2-1/4" (57 mm)
Minimum Flat for Door:	2-1/2" (64 mm)
Basin Area, Bottom:	42" x 20" (1067 mm x 508 mm)
Basin Area, Top:	51" x 24" (1295 mm x 610 mm)
Water Depth:	14" (356 mm)
Water Capacity:	60 gal (227.1 L)
Minimum Floor Load:	41 lbs/ft ²
Weight:	70 lbs (31.8 kg)
Cutout:	Drop-in, 58" x 30" (1473 mm x 762 mm)

Material

- Acrylic

Recommended Products/Accessories

- K-1177 Tiling-in bead, 144" length
- K-23726 Drain treatment
- K-23732 Tub & shower cleaner
- K-706000-L 62" H sliding bath door with 1/4"-thick glass
- K-706004-L Sliding bath door, 62" H x 56-5/8" - 59-5/8" W, with 1/4" thick Crystal Clear glass
- K-702200-6L 58" H sliding bath door with 1/4"-thick glass

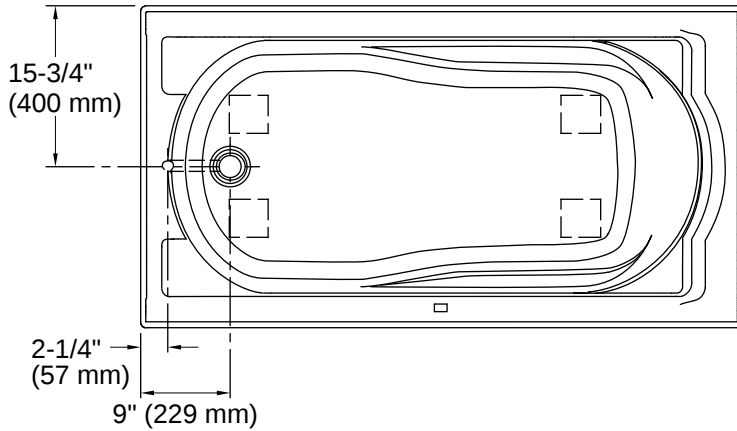
Warranty

See website for detailed warranty information.

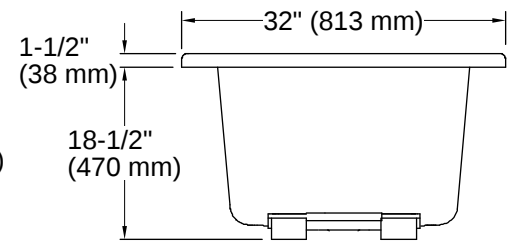
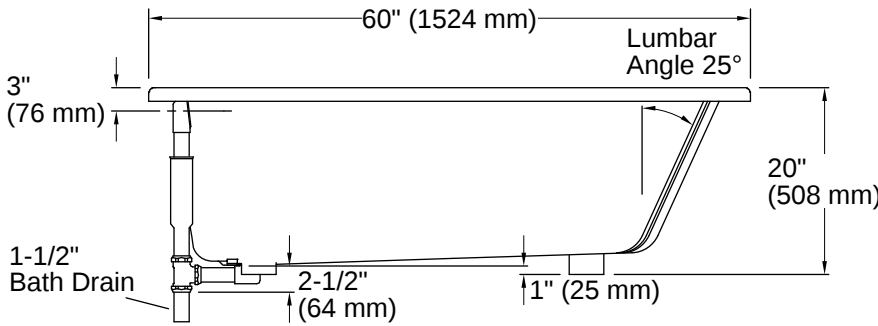
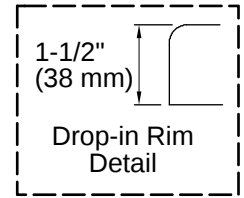
KOHLER® Plastic Baths and Shower Bases Lifetime Limited Warranty



1-800-4KOHLER (1-800-456-4537)
 Kohler Co. reserves the right to make revisions without notice to product specifications.
 For the most current specification sheet, go to www.kohler.com USA or www.kohler.ca Canada.
 3-27-2026 19:50 - US-CA



No change in measurements if connected with drain illustrated. (K-7161-AF)



Installation

- Drop-in
- Reversible drain

Installation Notes

Install this product according to the installation instructions.

Measure your actual product for rough-in details.
 The hot water supply should be 70% of the capacity of the bath or greater. Installations will vary.

