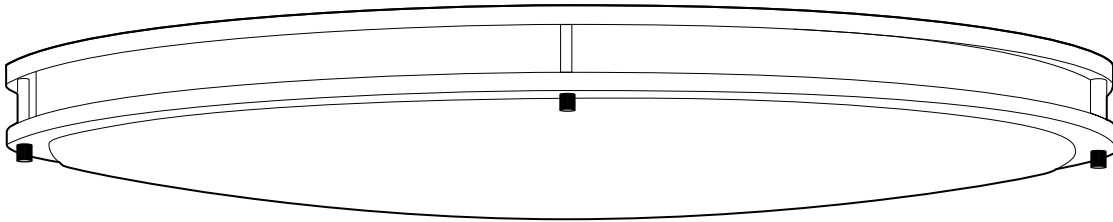


LED CEILING LIGHT

Español p. 11

ATTACH YOUR RECEIPT HERE



APPROVED FOR USE
IN DAMP LOCATIONS

Purchase Date _____

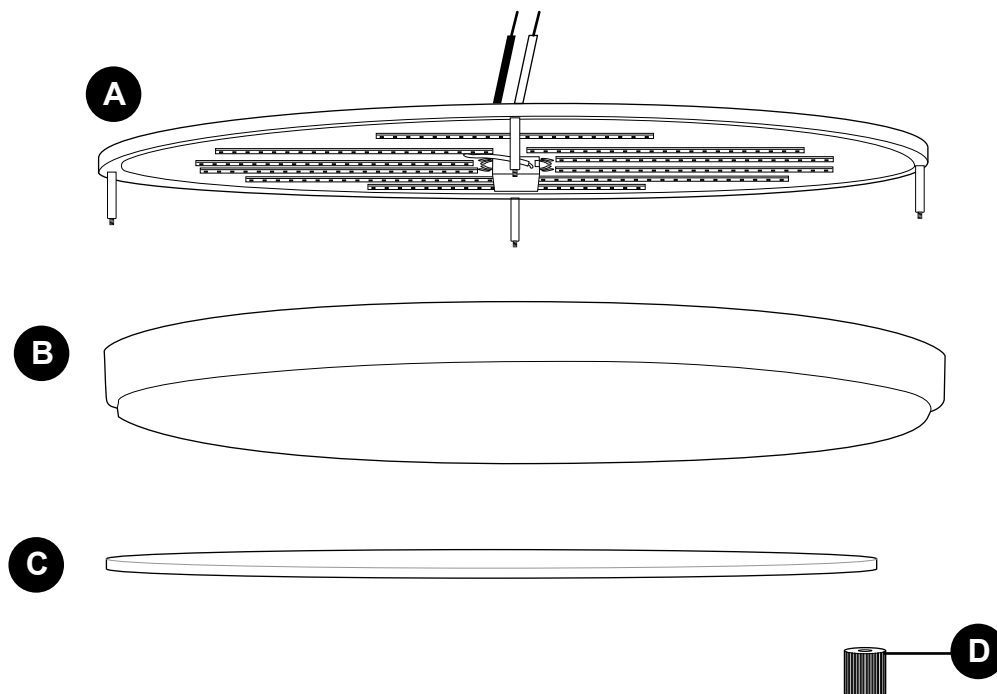


Questions, problems, missing parts? Before returning to your retailer, contact us on:
800-527-1292, 8:30 a.m. - 5 p.m., CST, Monday - Friday.

TABLE OF CONTENTS

Package Contents	2
Hardware Contents	3
Safety Information	3
Preparation	5
Assembly Instructions	5
Care and Maintenance	10
Troubleshooting	10
Warranty	10

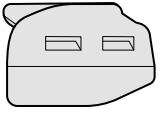
PACKAGE CONTENTS



PART	DESCRIPTION	QUANTITY
A	Fixture	1
B	Shade (preassembled to fixture (A))	1
C	Shade Ring (preassembled to fixture (A))	1
D	Decorative Nut (preassembled to fixture (A))	4

HARDWARE CONTENTS (shown actual size)

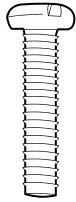
AA



Lever Wire
Connector

Qty. 3

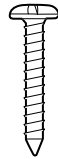
BB



Machine
Screw

Qty. 2

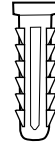
CC



Wall Anchor
Screw

Qty. 4

DD



Wall
Anchor

Qty. 4

SAFETY INFORMATION

READ AND SAVE THESE INSTRUCTIONS.

DANGER

- For your protection and safety, carefully read and understand the information provided in this manual completely before attempting to assemble, install or operate this product. Failure to do so could lead to fire, electrical shock or other injuries that could be hazardous or even fatal.
- TURN OFF ELECTRICITY at main fuse box (or circuit breaker box) before beginning installation by removing the fuse (or switching the circuit breaker off).
- DO NOT connect this fixture to an electrical system that does not provide a means for equipment grounding. Never use a fixture in a two-wire system that is not grounded. Installing a fixture into an electrical system not having a proper grounding means could cause metal parts of the fixture to carry electrical currents if any of the fixture wires, wire connections or splices were to become broken, cut or loose during the mounting or normal operation of the fixture. Under this condition, anyone coming in contact with the fixture would be subject to electrical shock, which could cause serious injury or death.
- DO NOT connect the BARE or GREEN insulation fixture ground wire to the BLACK (HOT) current-carrying wire or the WHITE (NEUTRAL) house wire. Connection of the BARE or GREEN fixture ground wire to the BLACK or WHITE house wires may cause metal parts of the fixture to carry electrical currents. Under this condition, anyone coming in contact with the fixture will receive electrical shock, which could cause serious injury or death.
- DO NOT damage or cut the wire insulation (covering) during installation of fixture. DO NOT permit wires to contact any surface having a sharp edge. To do so may damage or cut the wire insulation, which could cause serious injury or death from electrical shock.

WARNING

- All electrical connections must be in agreement with local codes and ordinances, the National Electric Code (NEC) and ANSI/NFPA 70-1999. Contact your municipal building department to learn about your local codes, permits and/or inspections. Risk of fire - most dwellings built before 1985 have supply wire rated for 140 °F. Consult a qualified electrician before installation.
- To avoid personal injury, the use of gloves may be necessary while handling fixture parts with sharp edges.
- To reduce the risk of damage to the fixture, DO NOT use power tools to assemble any part of the fixture.

SAFETY INFORMATION

WARNING

- DO NOT suspend any fixture by the house wires. A fixture must always be mounted directly to an outlet box or to a mounting strap which is first attached to the outlet box. The outlet box must be supported by the building structure. Wire connectors will not support the weight of a fixture. Suspending a fixture by the house wires and wire connectors will result in the fixture falling, with the possibility of personal injury and the danger of electrical shock or fire.
- To reduce the risk of fire, electrical shock or personal injury, lever wire connectors provided with this light fixture are designed to accept only one 12-gauge house wire and one lead wire from the light fixture. If your house wire is larger than 12-gauge or there is more than one house wire to connect to the corresponding fixture lead wires, consult an electrician for the proper size lever wire connectors to use.

CAUTION

- If you are not sure the lighting system has a grounding means, DO NOT attempt to install this fixture. Contact a qualified, licensed electrician for information regarding the proper grounding methods as required by the local electrical code in your area.
- All fixtures must be mounted to an outlet box that is supported by the building structure.
- If a dimmer control switch is used with this fixture, obtain professional advice to determine the correct type to use as well as the electrical rating required.
- Before installation is complete, carefully check all screws, bolts and nuts on fixture to ensure that they are secure.
- Do NOT tamper with or attempt to repair LED component of fixture. The light source is designed for this specific application and should not be serviced by untrained personnel. If any servicing is required, call our customer service department.
- The device complies with Part 15 of the FCC Rules. Operation is subject to the following two conditions: (1) this device may not cause harmful interference, (2) this device must accept any interference received, including interference that may cause undesired operation.
- Changes or modifications not approved by the party responsible for compliance could void the user's authority to operate the equipment.

Note: This equipment has been tested and found to comply with the limits for a Class B digital device, pursuant to Part 15 of the FCC Rules. These limits are designed to provide reasonable protection against harmful interference in a residential installation. This equipment generates, uses and can radiate radio frequency energy and, if not installed and used in accordance with the instructions, may cause harmful interference to radio communications. However, there is no guarantee that interference will not occur in a particular installation. If this equipment does cause harmful interference to radio or television reception, which can be determined by turning the equipment off and on, the user is encouraged to try to correct the interference by one or more of the following measures:

- * Reorient or relocate the receiving antenna.
- * Increase the separation between the equipment and receiver.
- * Connect the equipment into an outlet on a circuit different from that to which the receiver is connected.

Consult the dealer or an experienced radio/TV technician for help.

Distributed by: Litex Industries Inc., P.O. Box 535639, Grand Prairie, TX, 75050; 800-527-1292

NOTE: Dimmable to 10% with select dimmers. See Lowes.com for more information.

PREPARATION

Before beginning assembly of product, make sure all parts are present. Compare parts with package contents list and hardware contents list. If any part is missing or damaged, do not attempt to assemble the product.

Estimated Assembly Time: 30 minutes

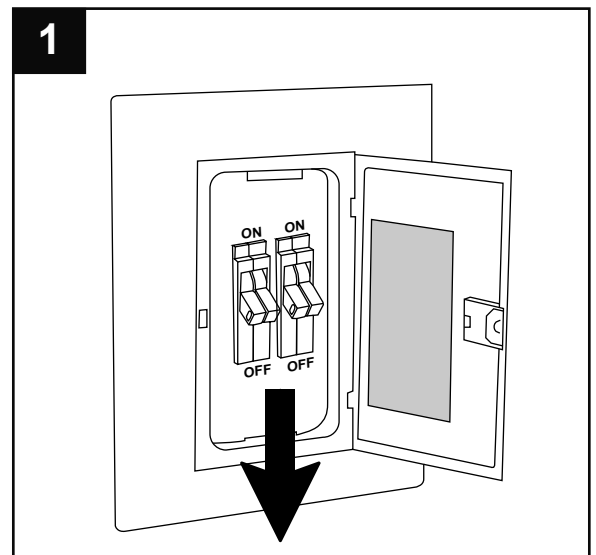
Tools Required for Assembly (not included): Flathead Screwdriver, Phillips Screwdriver, Wire Strippers, Pliers, Wire Cutters, Safety Glasses, Stepladder, Electrical Tape

Helpful Tools (not included): A/C Tester Light, Do-It-Yourself Guide, Soft Cloth

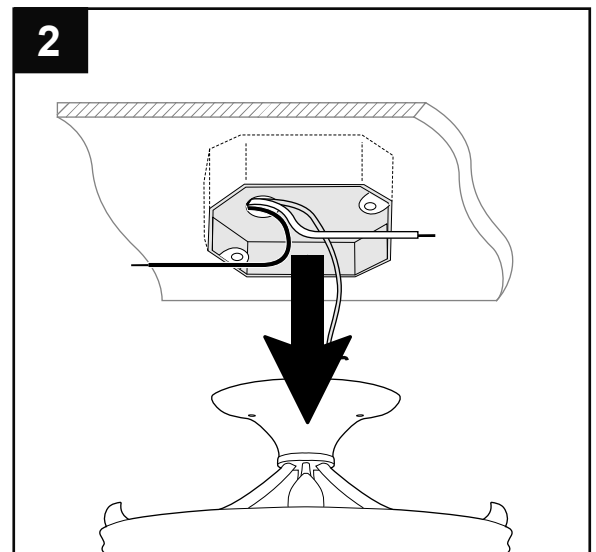
ASSEMBLY INSTRUCTIONS

1. Turn off circuit breakers and wall switch to the fixture supply line leads.

⚠ DANGER: Failure to disconnect power supply prior to installation may result in serious injury or death.



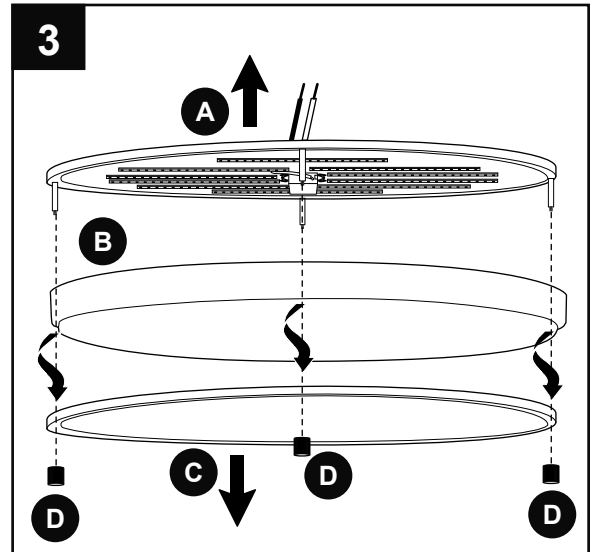
2. Remove existing fixture and disconnect all electrical wiring.



ASSEMBLY INSTRUCTIONS

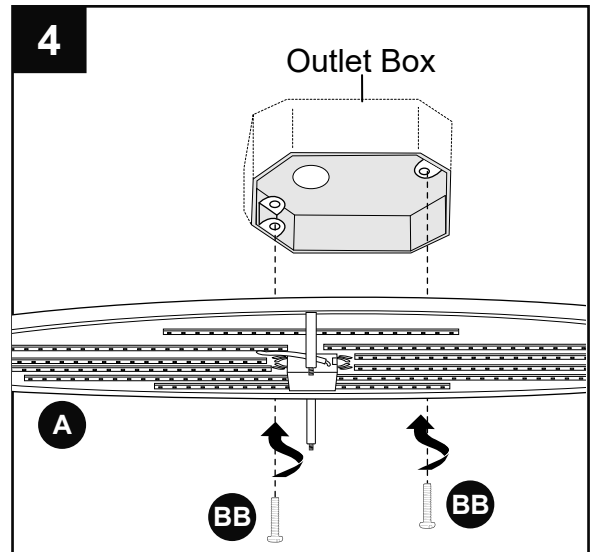
3. Remove shade ring (C) and shade (B) from fixture (A) by removing 4 decorative nuts (D) from bottom of fixture (A).

Save for later use.



4. **Temporarily** attach fixture (A) to outlet box (not included) using outlet box screws or the machine screws (BB). **NOTE:** If the outlet box screws required for your outlet box are of a different size than the machine screws (BB), consult a licensed electrician before proceeding. Do NOT completely tighten machine screws (BB).

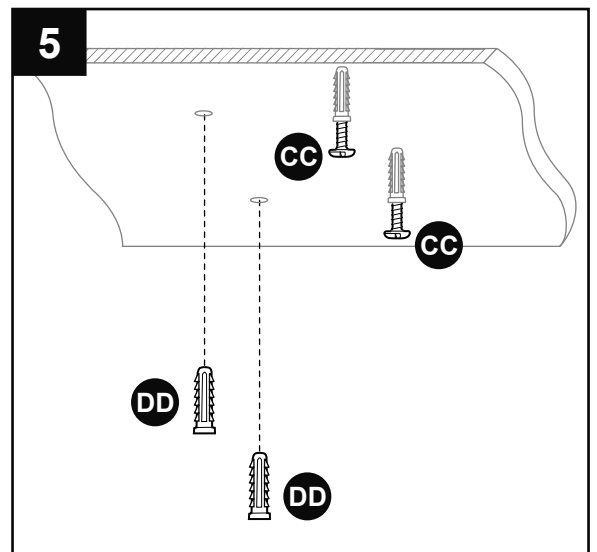
With the fixture (A) on the outlet box, place the fixture (A) against the ceiling and mark the location of the four NARROW part of the slots on the fixture (A) using a pencil or a marker (not included). Remove outlet box screws or machine screws (BB) and remove fixture (A). Set fixture (A) aside.




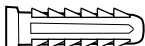
5. Using a 1/8 in. drill bit (not included), drill four pilot holes at the marked locations. Gently tap anchor (DD) into holes with a hammer (not included) until flush with ceiling surface.

Partially screw anchor screws (CC) into anchors (DD).

⚠ CAUTION: Fixture CANNOT be mounted to a ceiling without an outlet box, as proper wiring for a light fixture must be present and/or accessible.



Hardware Used

CC	Wall Anchor Screw		x 4
DD	Wall Anchor		x 4

ASSEMBLY INSTRUCTIONS

6a. **IMPORTANT:** Each wire connection is made by firmly raising the levers on each lever wire connector (AA), as shown. Then, ONE wire is inserted into each opening.

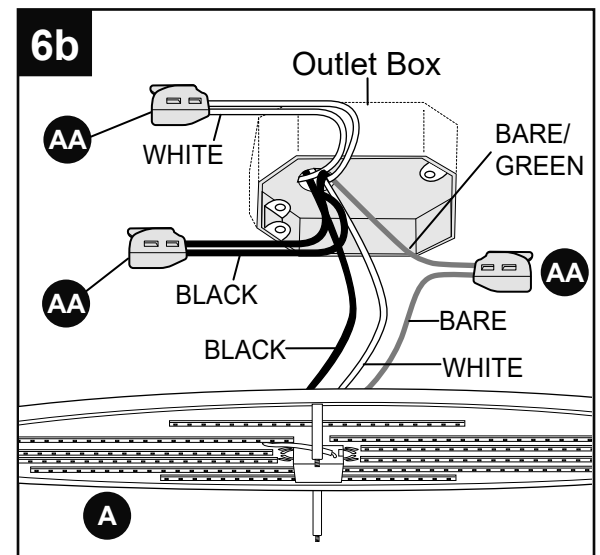
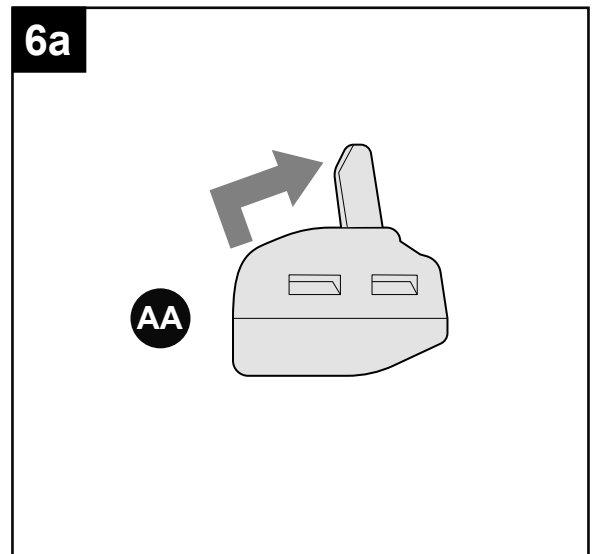
⚠ WARNING: In order for wire connections to be secure, all levers on the lever wire connectors (AA) must be completely returned to their original position.

6b. Prepare wires by stripping 3/8 in. of insulation from wire ends using wire strippers (not included).
Insert BARE/GREEN ground wire from outlet box and BARE ground wire from fixture (A) into openings in lever wire connector (AA).
Insert WHITE wire from fixture (A) and WHITE wire from outlet box into openings in lever wire connector (AA).
Insert BLACK wire from fixture (A) and BLACK wire from outlet box into openings in lever wire connector (AA).


⚠ WARNING: Never connect ground wire to WHITE or BLACK power supply wires.

⚠ WARNING: GENTLY pull on wires in each lever wire connector (AA) to confirm the lock is engaged and that wires are secure.

⚠ WARNING: To reduce the risk of fire, electrical shock or personal injury, lever wire connectors (AA) are designed to accept only one 12-gauge house wire and one lead wire from the light fixture. If your house wire is larger than 12-gauge or there is more than one house wire to connect to the corresponding fixture lead wires, consult an electrician for the proper size lever wire connectors to use.



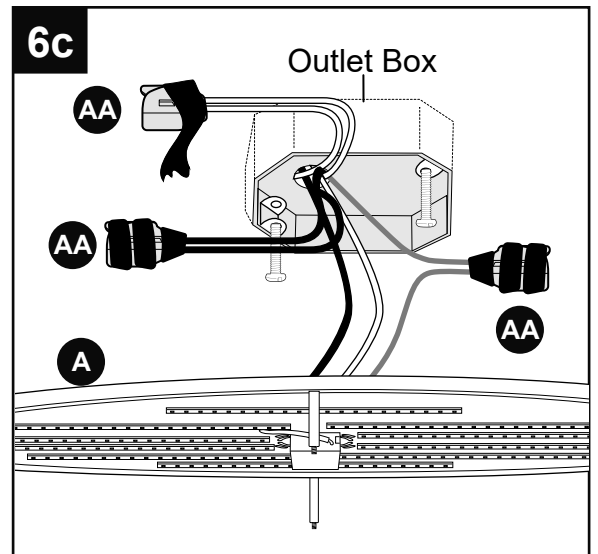
Hardware Used

AA Lever Wire Connector  x 3

ASSEMBLY INSTRUCTIONS

- 6c. Wrap electrical tape (not included) around each individual lever wire connector (AA) down to the wire. Push lever wire connectors (AA) gently back into outlet box. Carefully push excess wiring into outlet box.

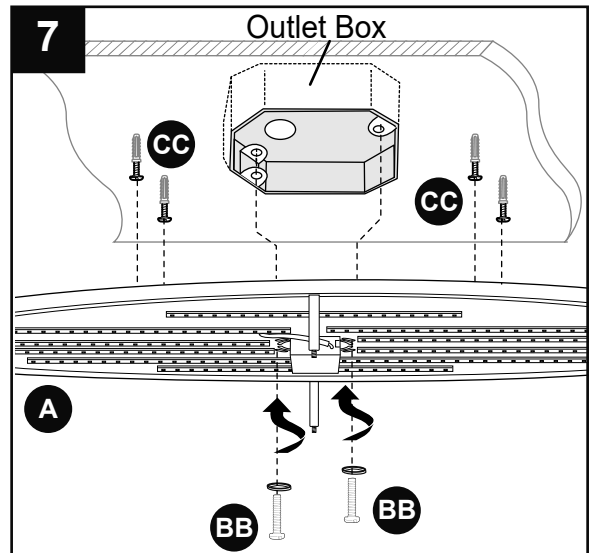
⚠ WARNING: Make sure no bare wire or wire strands are visible after making connections.



7. Align slotted holes in fixture (A) with loosened anchor screws (CC) and slide fixture (A) to set in place, allowing it to rest on anchor screws (CC). Attach fixture (A) to outlet box (not included) using existing washers and outlet box screws or the machine screws (BB). Secure fixture (A) to ceiling by securely tightening wall anchor screws (CC).

⚠ CAUTION: Mounting plate (preassembled to fixture (A)) can be loosened and adjusted in order to accommodate non-standard outlet box or to avoid obstruction from existing mounting screws.

⚠ CAUTION: Make sure the outlet box can support 35 lbs. hanging weight. Use metal outlet box; plastic outlet boxes are not recommended.



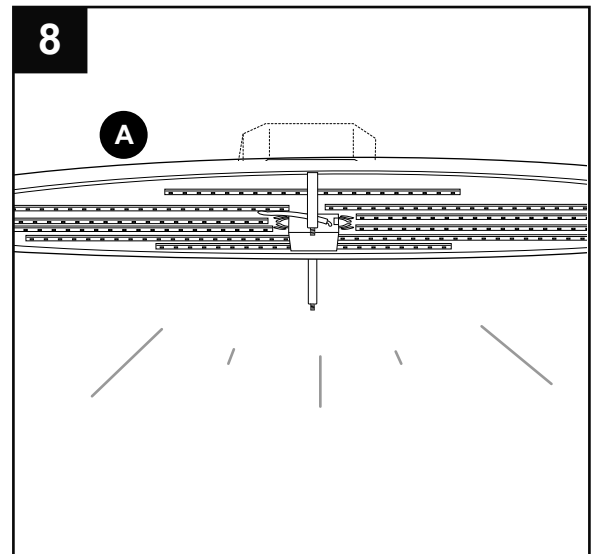
Hardware Used

- BB** Machine Screw  x 2

ASSEMBLY INSTRUCTIONS

8. Restore power and test fixture (A).

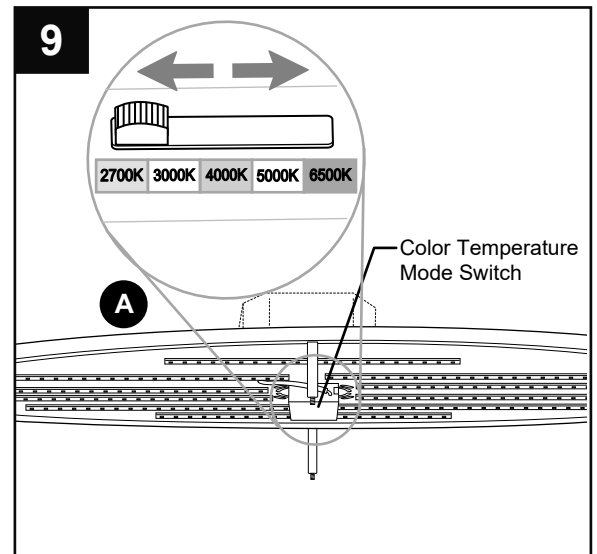
If fixture does not function, please refer to TROUBLESHOOTING on the following page.



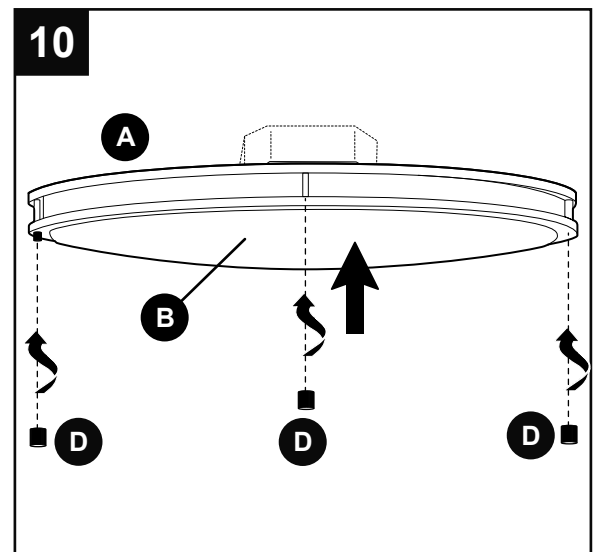
STEP 9 APPLIES TO MODELS #7967562 and 7967563 ONLY:

9. Before replacing shade (B) and shade ring (C), choose color temperature with color temperature mode switch on center of fixture (A):

- 2700K - Soft white
- 3000K - Warm white
- 4000K - Cool white
- 5000K - Daylight
- 6500K - Cool daylight



10. Replace shade (B) and shade ring (C) aligning four posts on fixture (A) with four holes on shade ring (C) and replace decorative nuts (D) previously removed (step 3, page 6). Make sure decorative nuts (D) are secure.



CARE AND MAINTENANCE

- Shut off main power supply. Wipe fixture with soft cloth. Do not use an abrasive cleaner on glass or fixture.
- Total wattage for this fixture is 53 watts; do not attempt to replace the LEDs.

TROUBLESHOOTING

⚠ WARNING: Before beginning work, shut off the power supply to avoid electrical shock.

PROBLEM	POSSIBLE CAUSE	CORRECTIVE ACTION
Light does not come on initially or no longer comes on.	<ol style="list-style-type: none">1. Power is OFF.2. Faulty connection.3. LED component is not working properly.	<ol style="list-style-type: none">1. Make sure power supply is ON.2. Check wiring and all connections.3. Contact Customer Service.
Fuse blows out or circuit breaker trips.	<ol style="list-style-type: none">1. Crossed wires.2. Power wire is grounding out.	<ol style="list-style-type: none">1. Check wiring.2. Check all connections.

WARRANTY

The distributor warrants all of its lighting fixtures against defects in materials and workmanship for five (5) years from the date of purchase. If within this period the product is found to be defective, take a copy of the bill of sale as a proof of purchase and the product in its original carton to the place of purchase. The distributor will, at its option, repair, replace or refund the purchase price to the consumer. All costs of installation and removal of the fixture is the responsibility of the consumer. This warranty does not cover fixtures becoming defective due to misuse, accidental damage or improper handling and/or installation and specifically excludes liability for direct, incidental or consequential damages, improper packaging of returned products and acts of God. As some states do not allow exclusions of limitations on an implied warranty, the above exclusion and limitation may not apply. This warranty gives you specific rights and you may also have other rights which may vary from state to state.