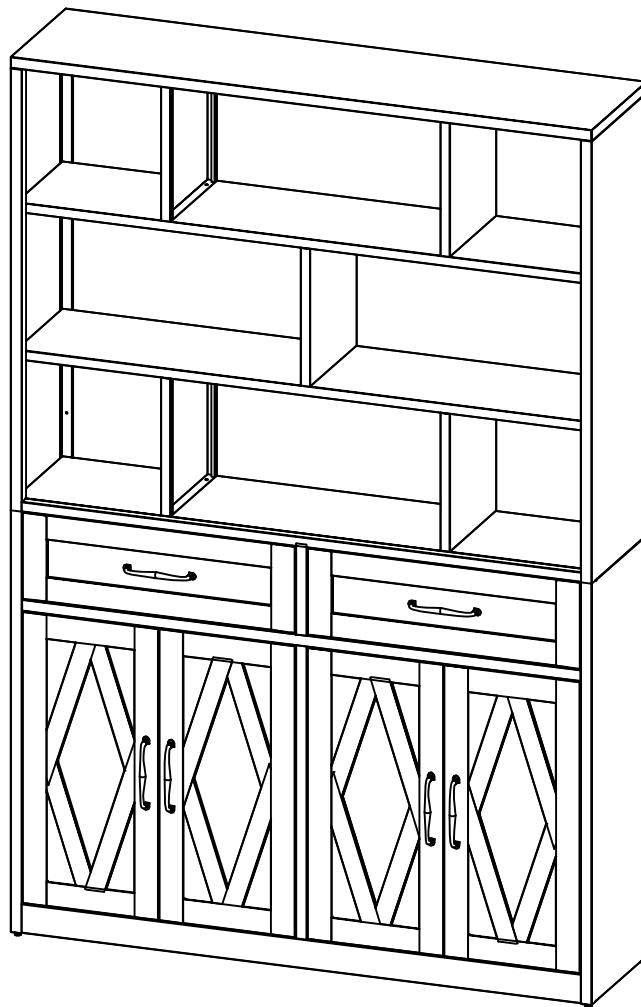
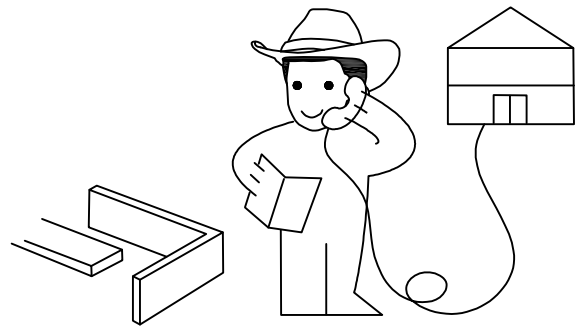
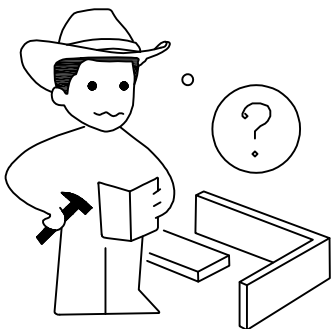
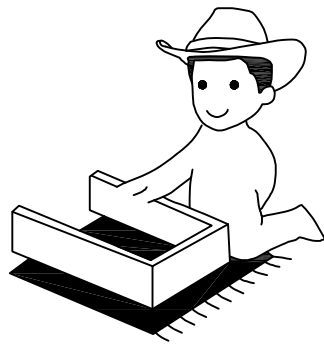
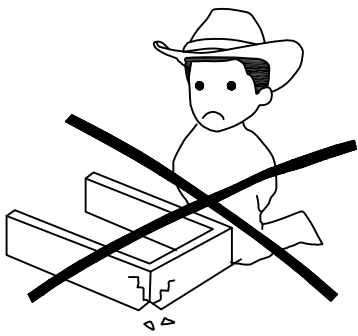
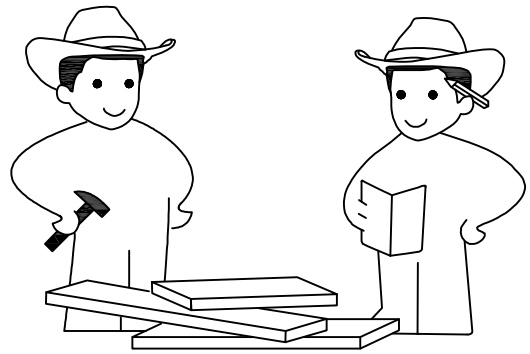
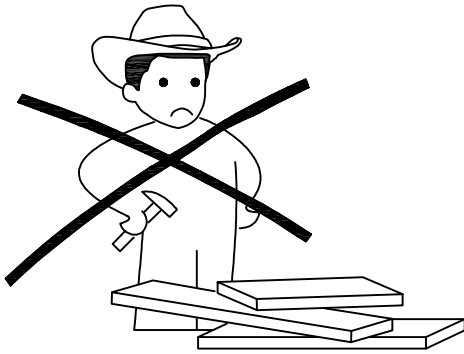
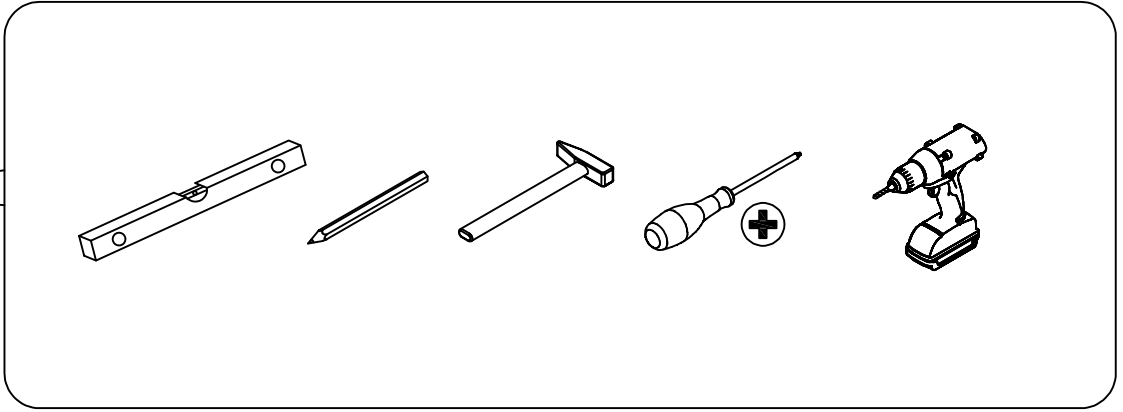
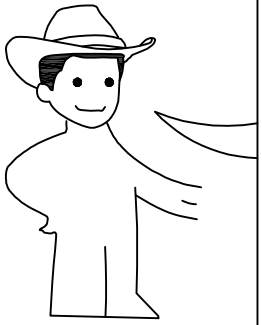
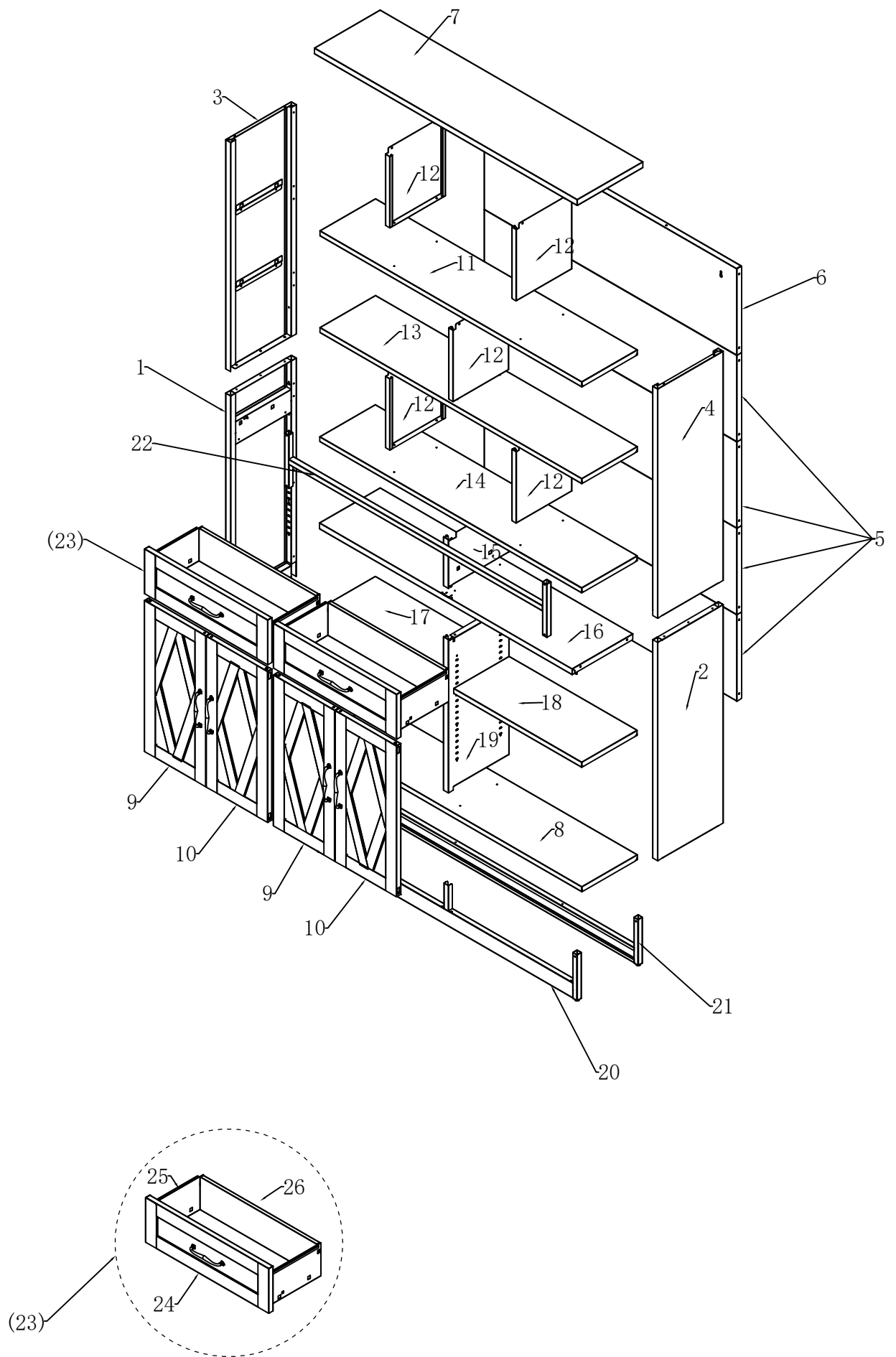


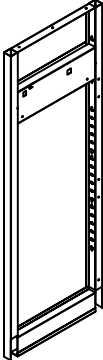
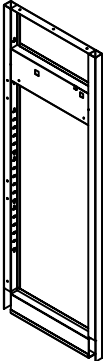
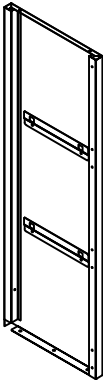
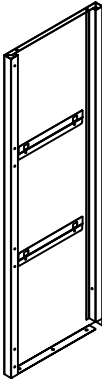
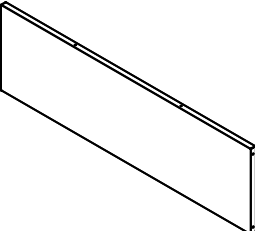
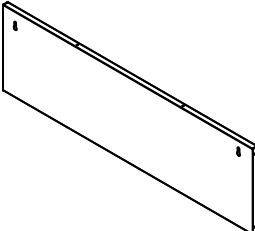
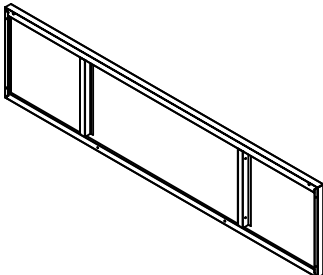
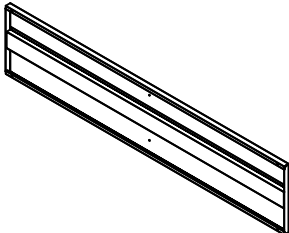
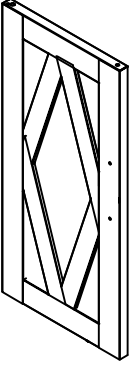
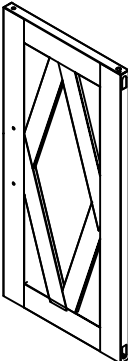
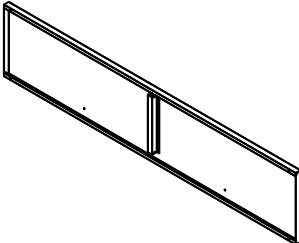
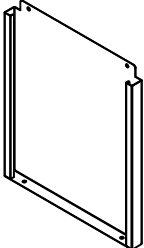
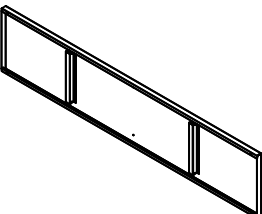
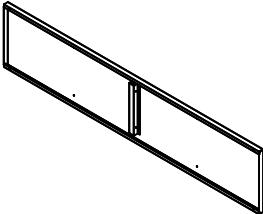
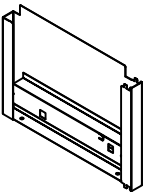
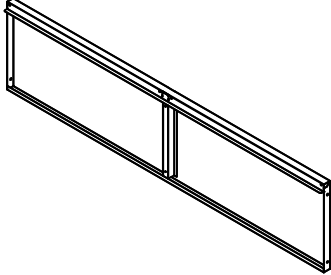
B03BC-002WM

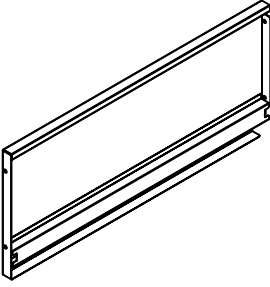
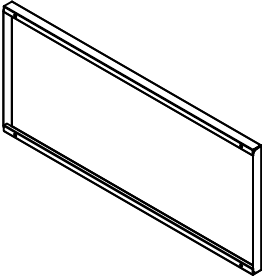
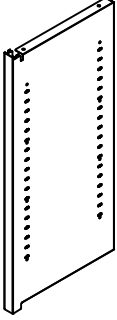
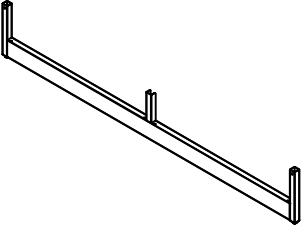
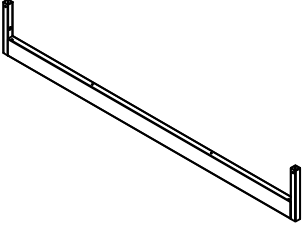
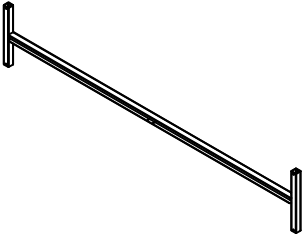
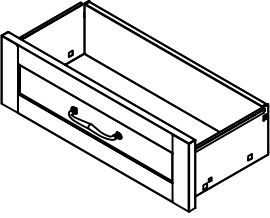
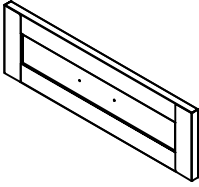
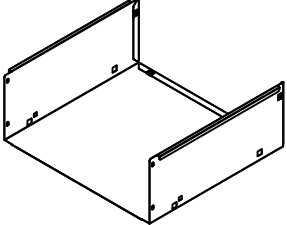
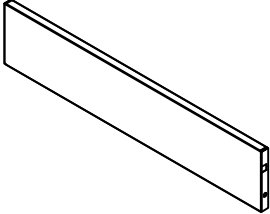

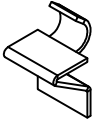









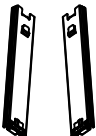





Version 1.0

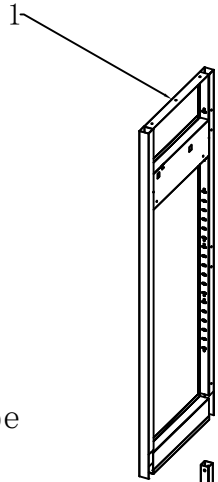




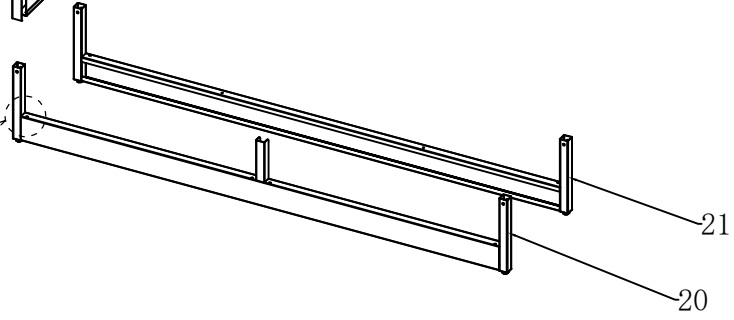
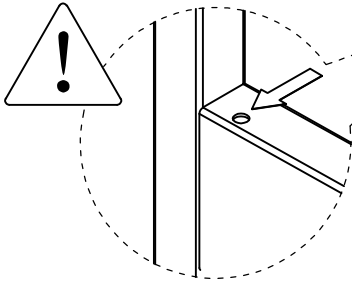
<p>1× 1*pc</p> 	<p>2× 1*pc</p> 	<p>3× 1*pc</p> 	<p>4× 1*pc</p> 
<p>5× 4*pcs</p> 	<p>6× 1*pc</p> 	<p>7× 1*pc</p> 	<p>8× 1*pc</p> 
<p>9× 2*pcs</p> 	<p>10× 2*pcs</p> 	<p>11× 1*pc</p> 	<p>12× 5*pcs</p> 
<p>13× 1*pc</p> 	<p>14× 1*pc</p> 	<p>15× 1*pc</p> 	<p>16× 1*pc</p> 

17× 1*pc 		18× 1*pc 		19× 1*pc 			
20× 1*pc 		21× 1*pc 		22× 1*pc 			
23× 2*pcs 		24× 2*pcs 		25× 2*pcs 		26× 2*pcs 	
A×6*pcs 	B×8*pcs 	C×4*pcs 	D×16*pcs 	E×82*pcs M4×10 	F×8*pcs M4×22 	G×4*pcs M4×5 	H×8*pcs 
I×6*pcs 	J×2*pcs 	K×2*pcs 	L×2*pcs 	M×2*pcs 			

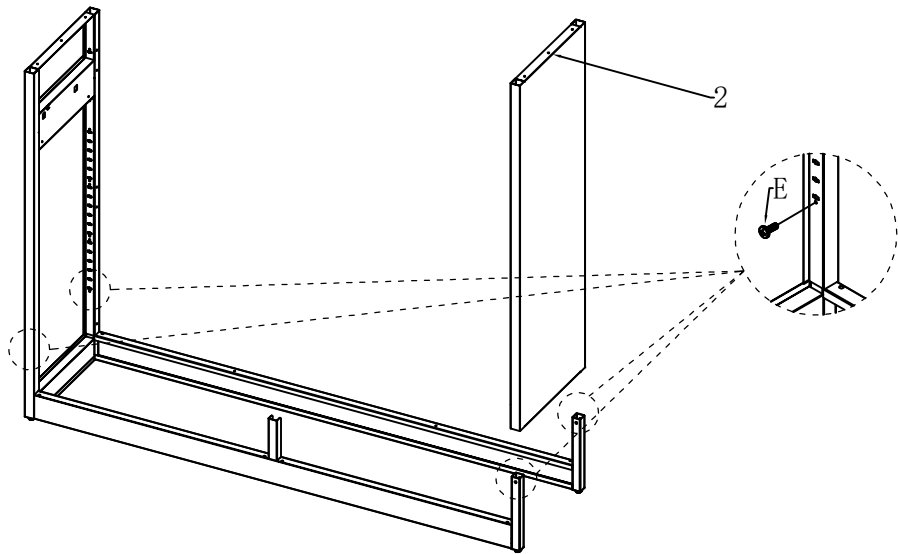
1



The hole must be facing outward.

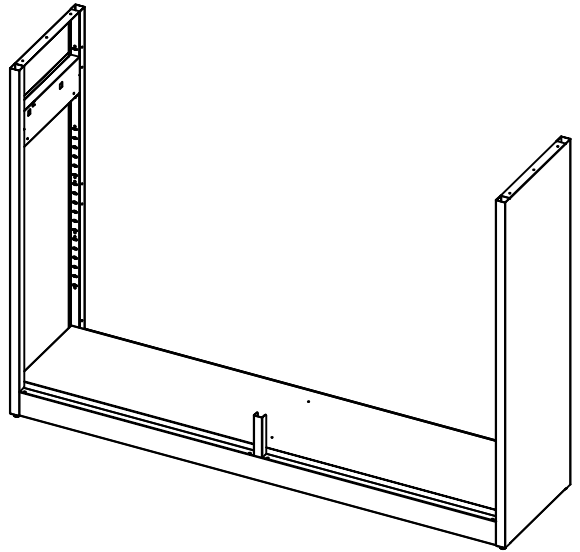
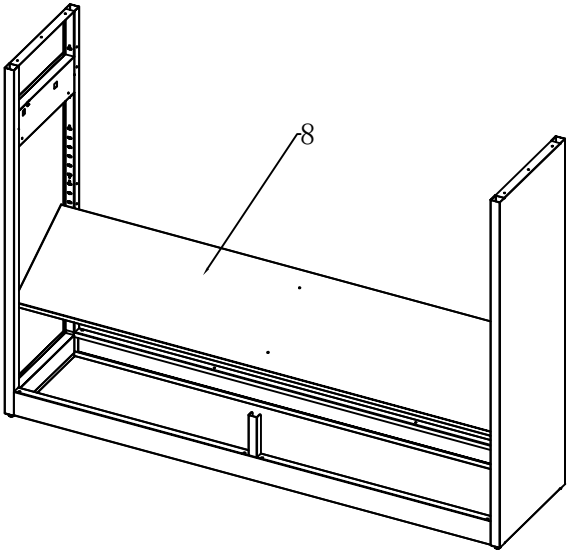


2

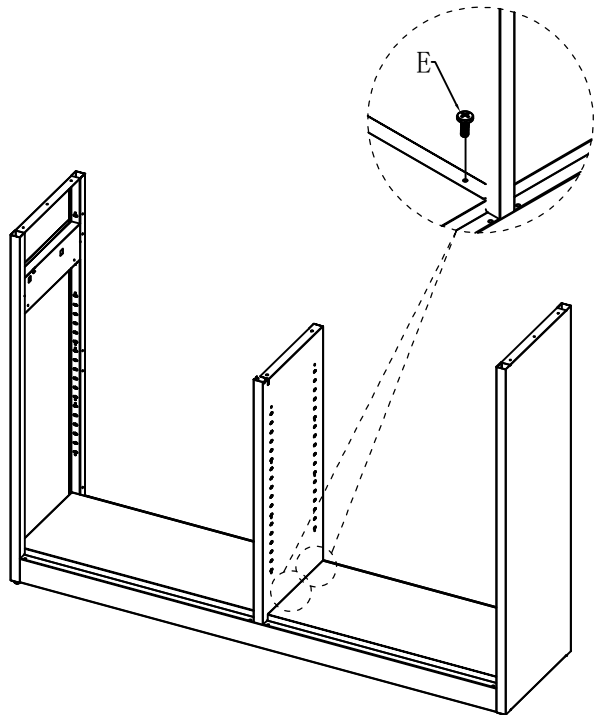
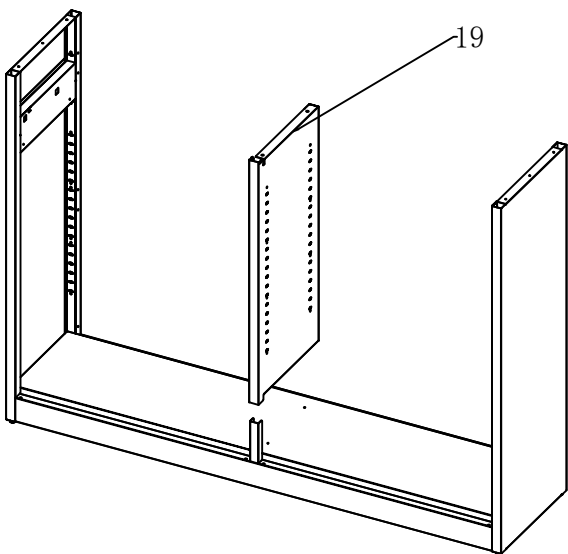


E×4 

3



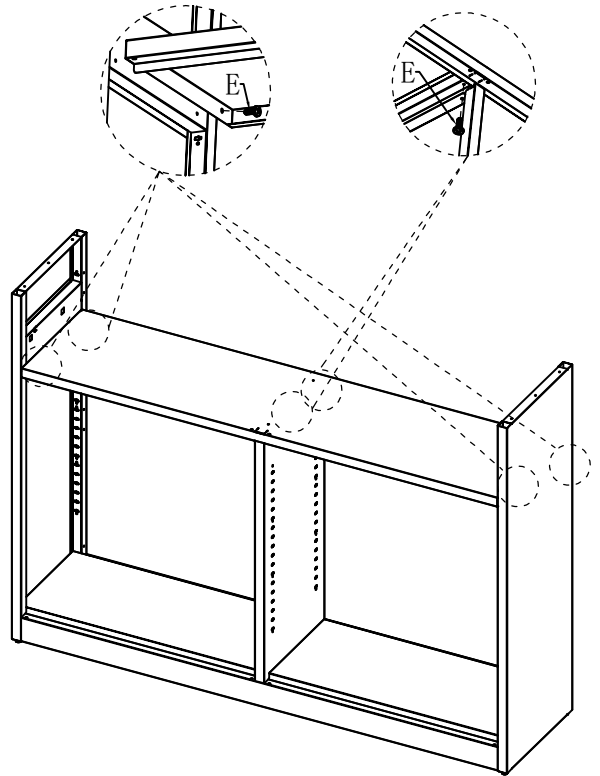
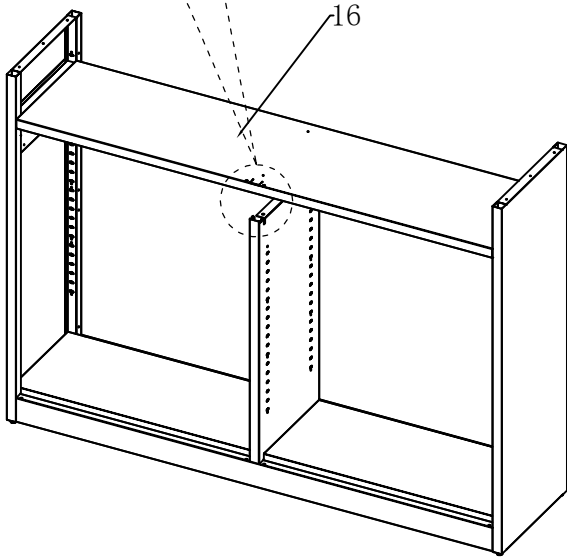
4



E × 2 

5

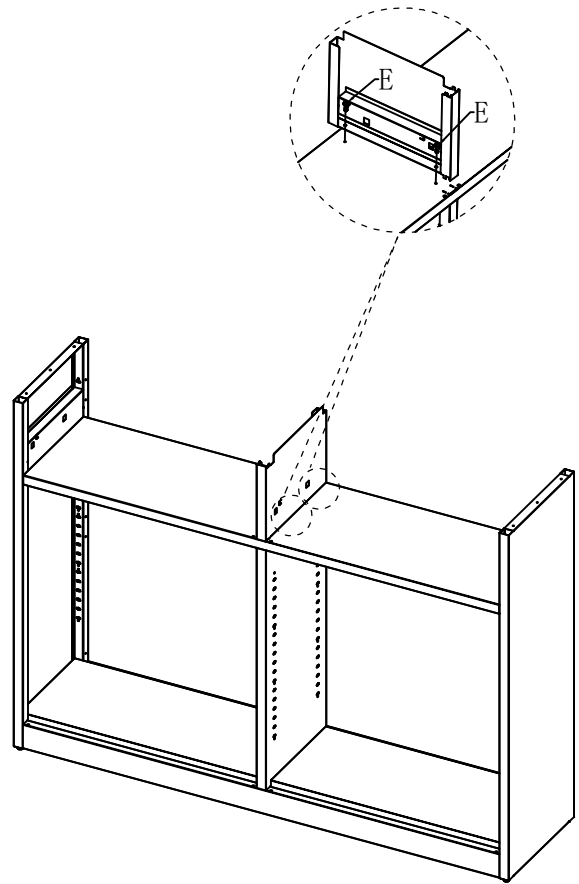
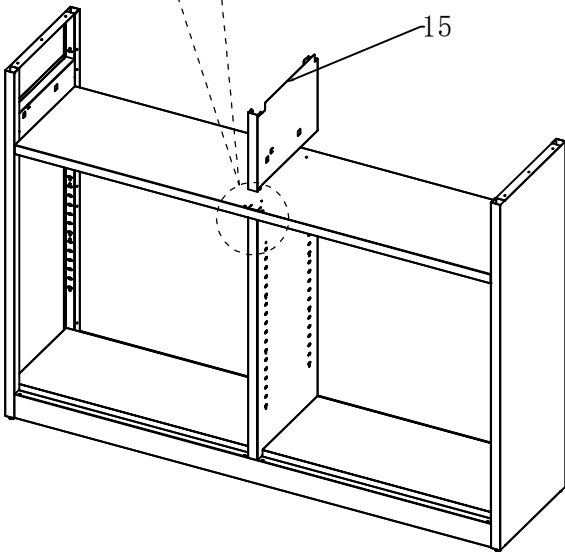
Align the connector  
and insert it.



E×6 

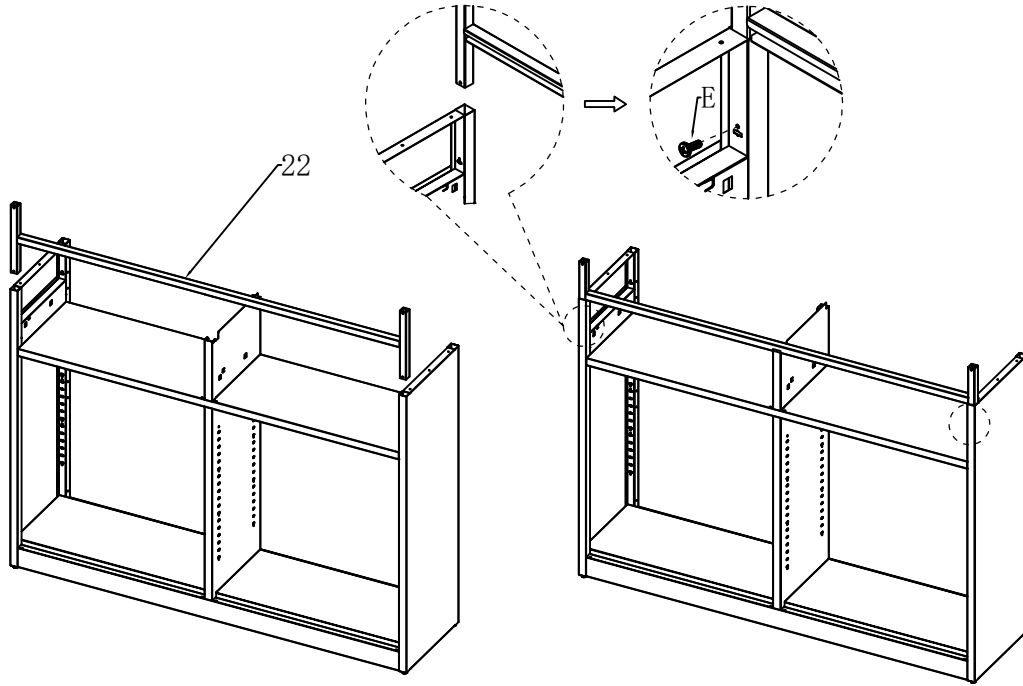
6

Align the connector  
and insert it.



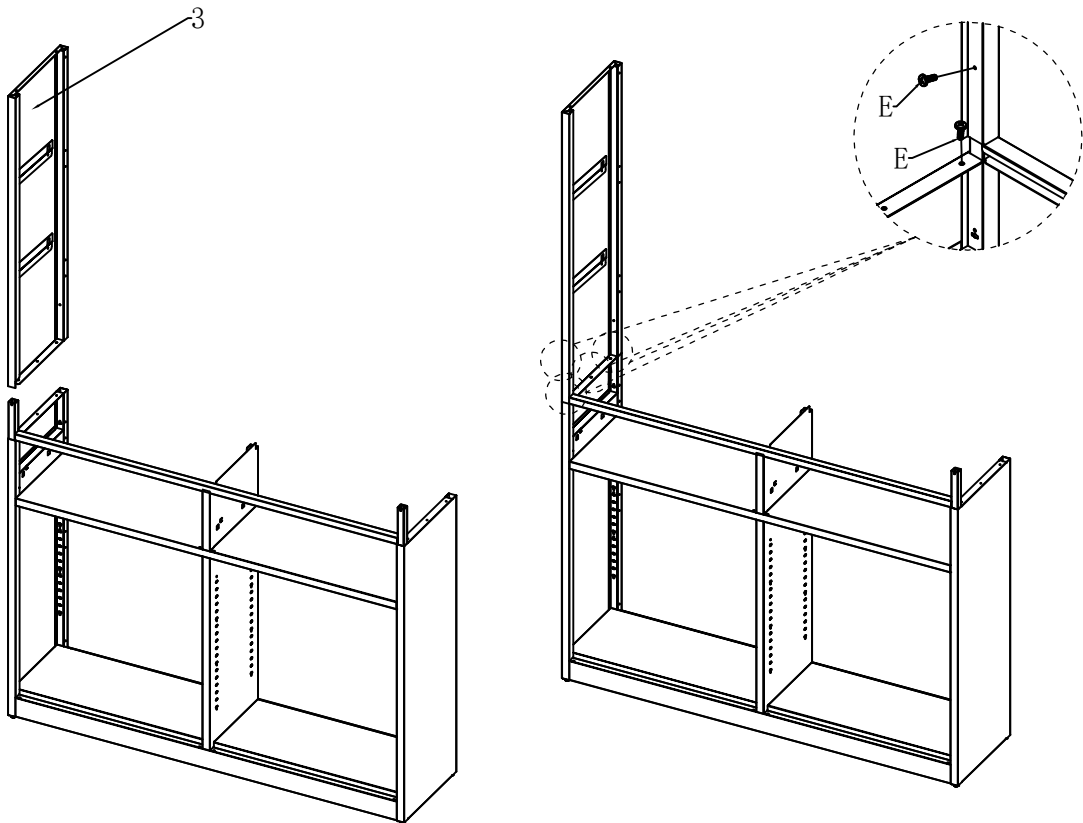
E×2 

7



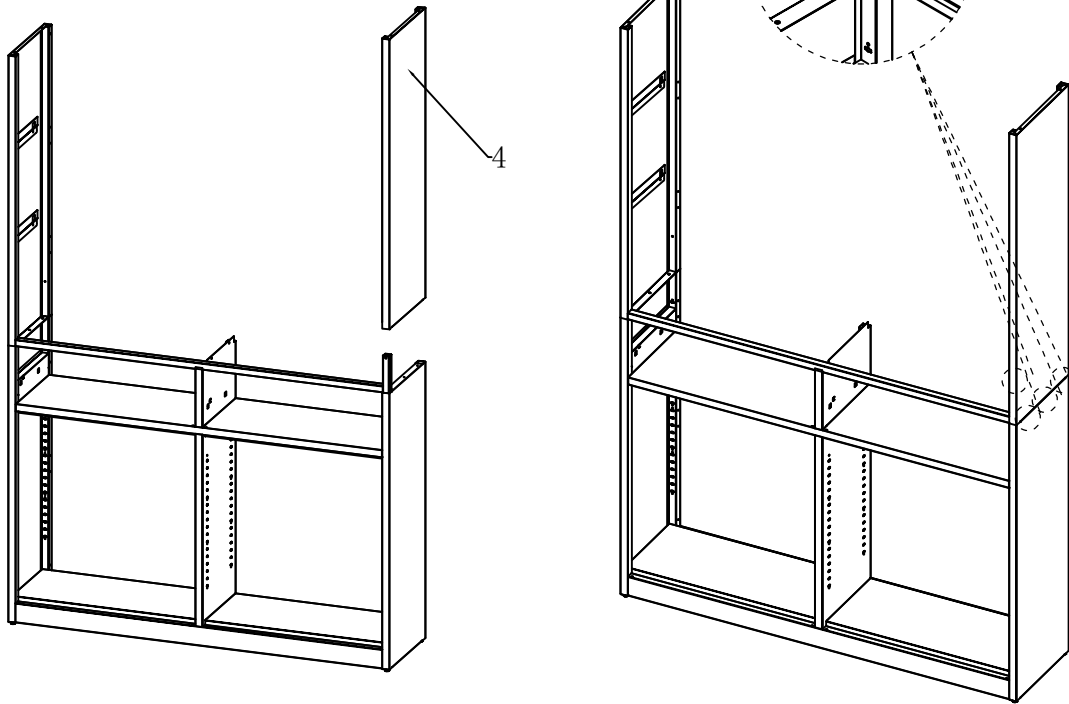
E×2 

8



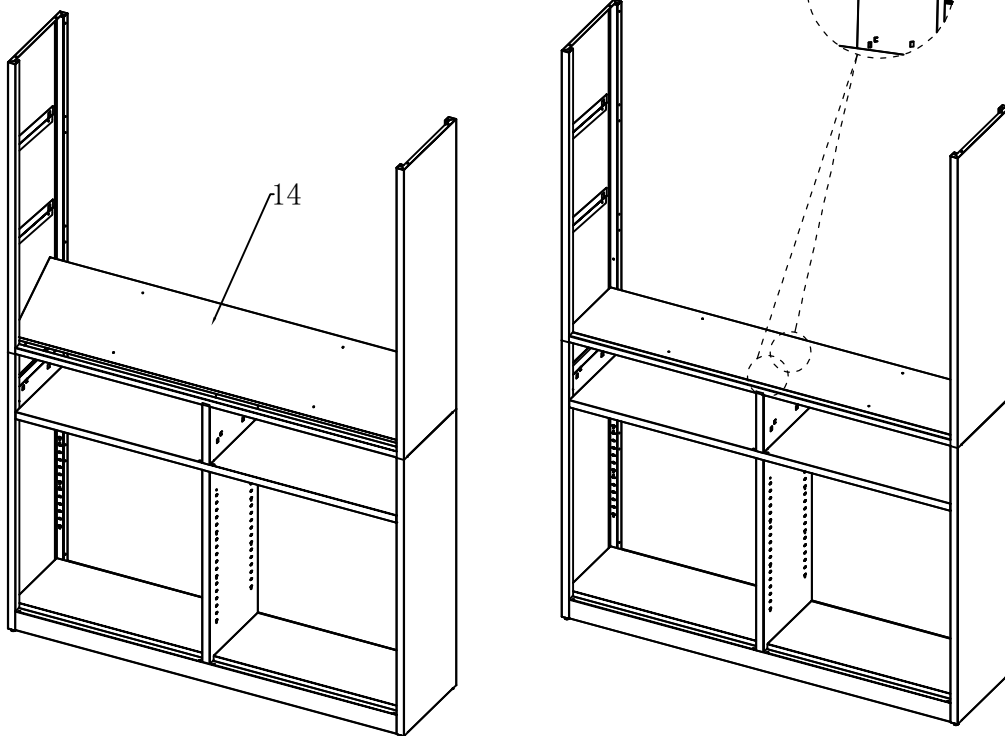
E×4 


9



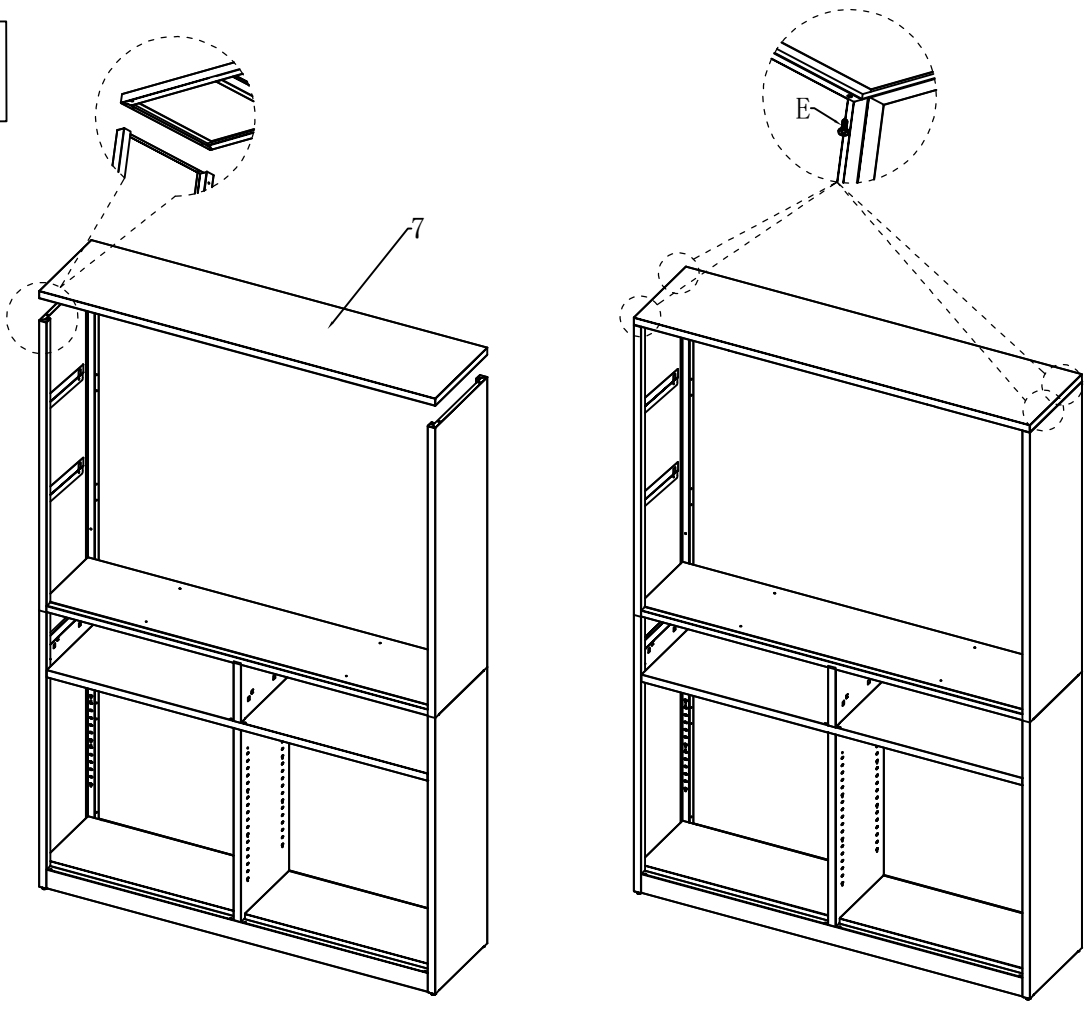
E×4 

10



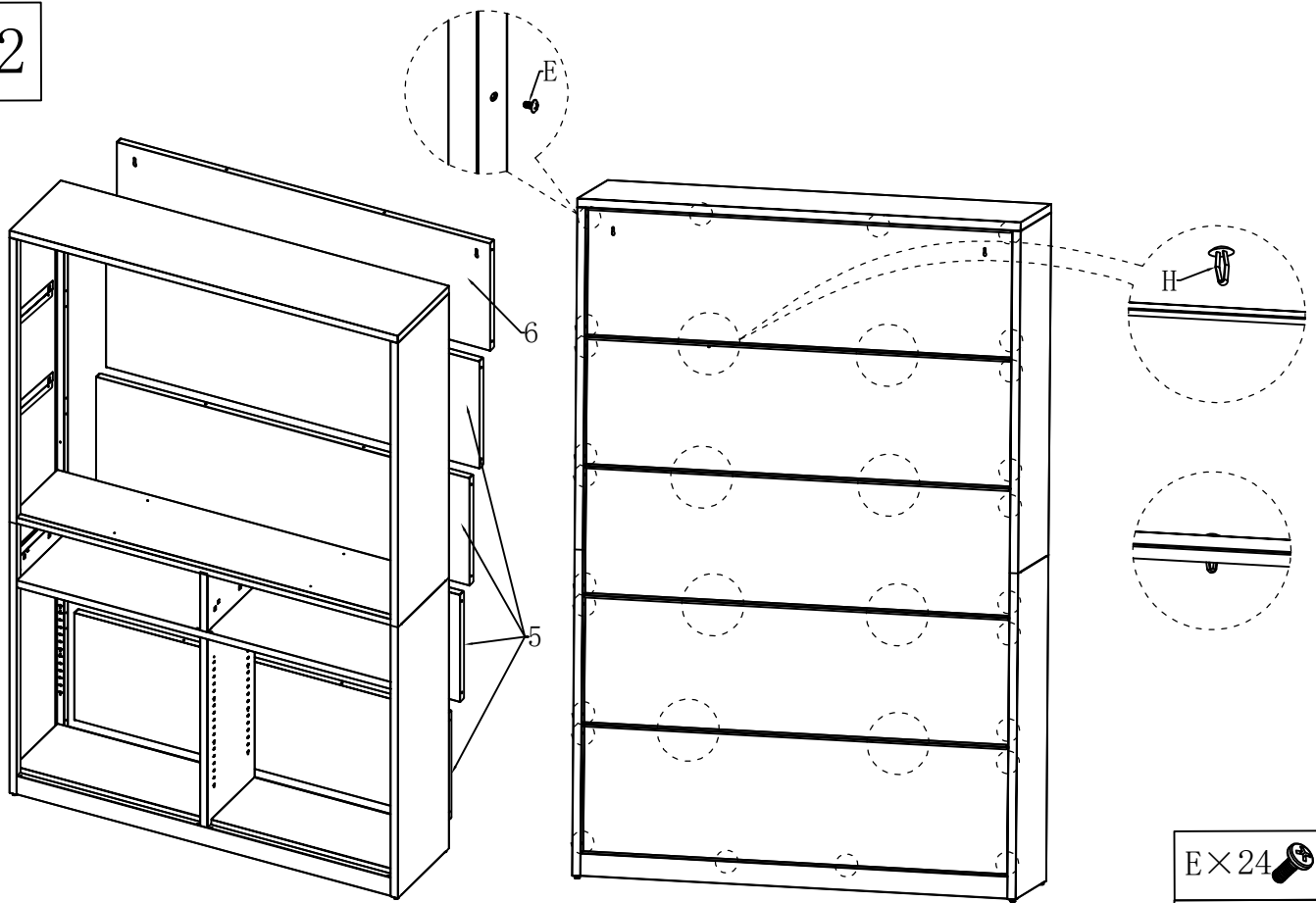
E×2 

11




E × 4 

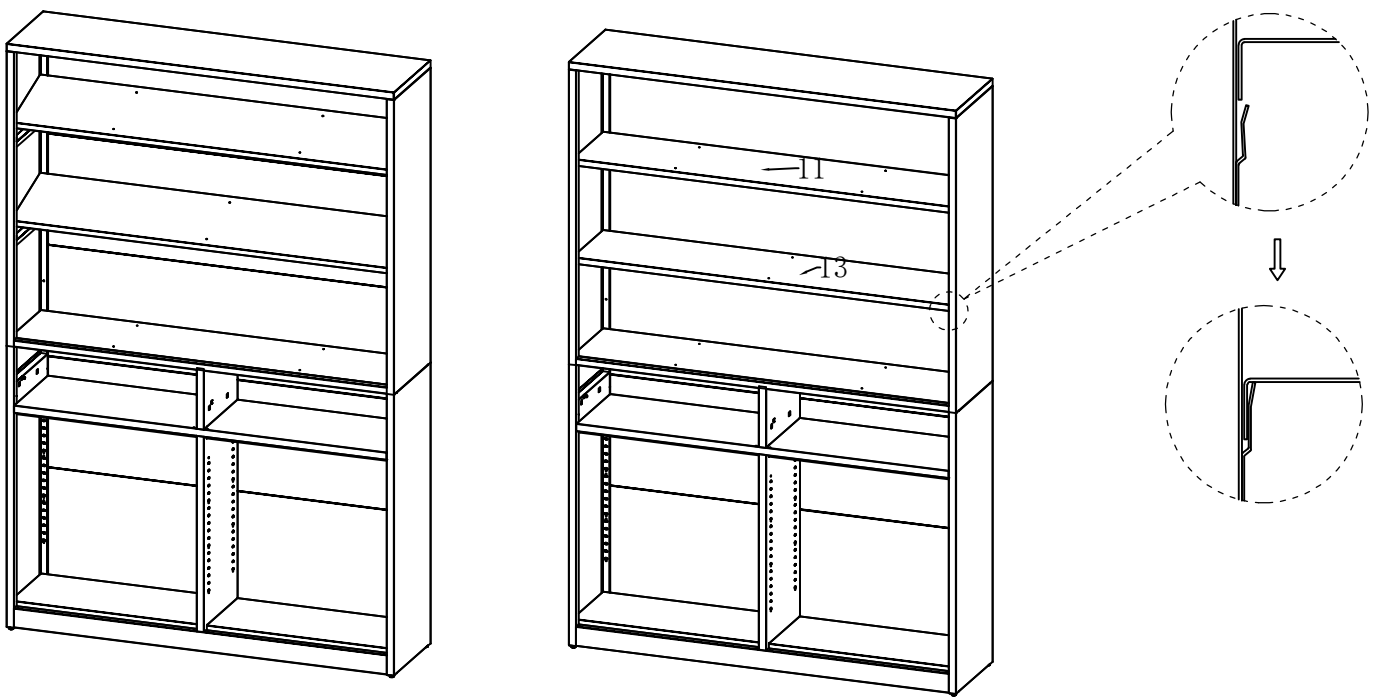
12



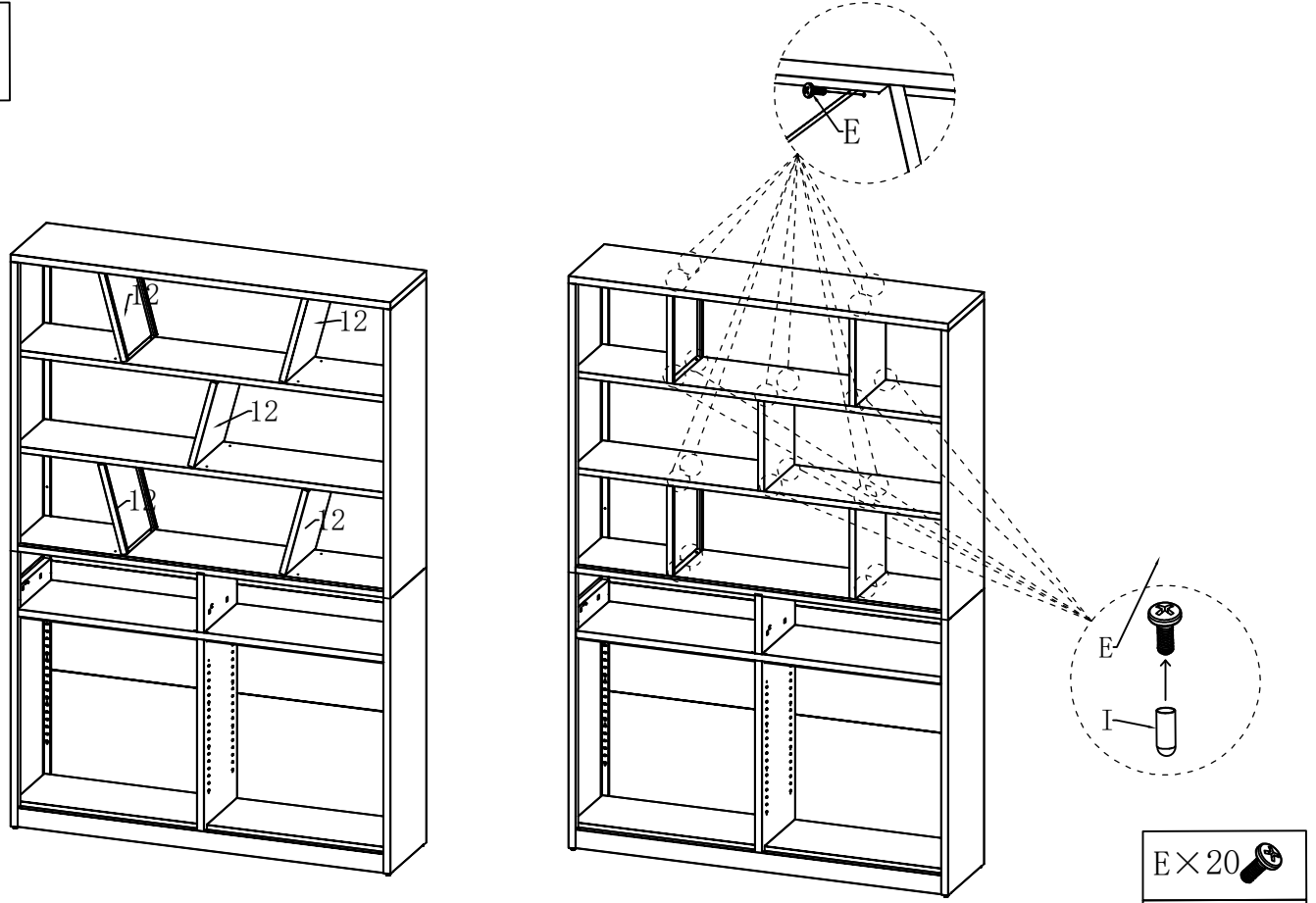
E × 24 



H × 8 

13

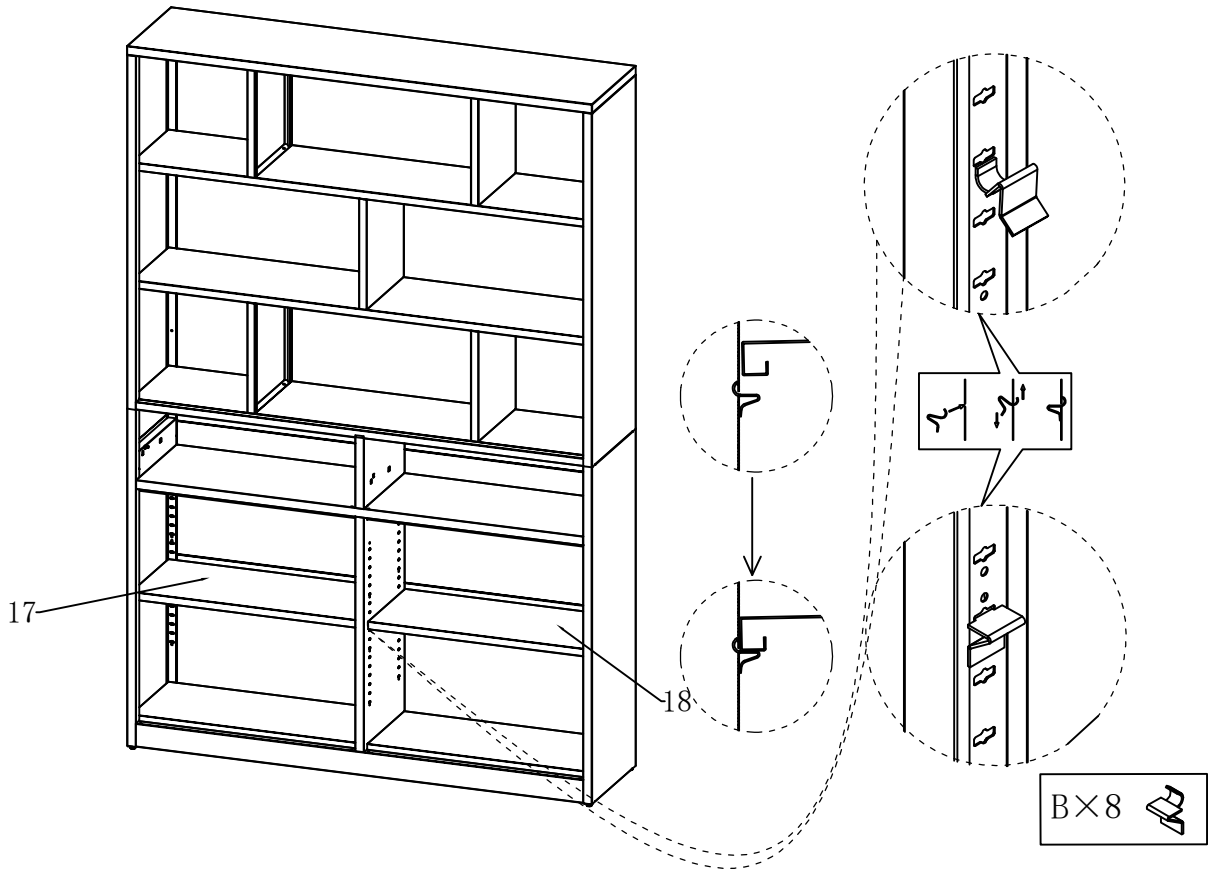


14



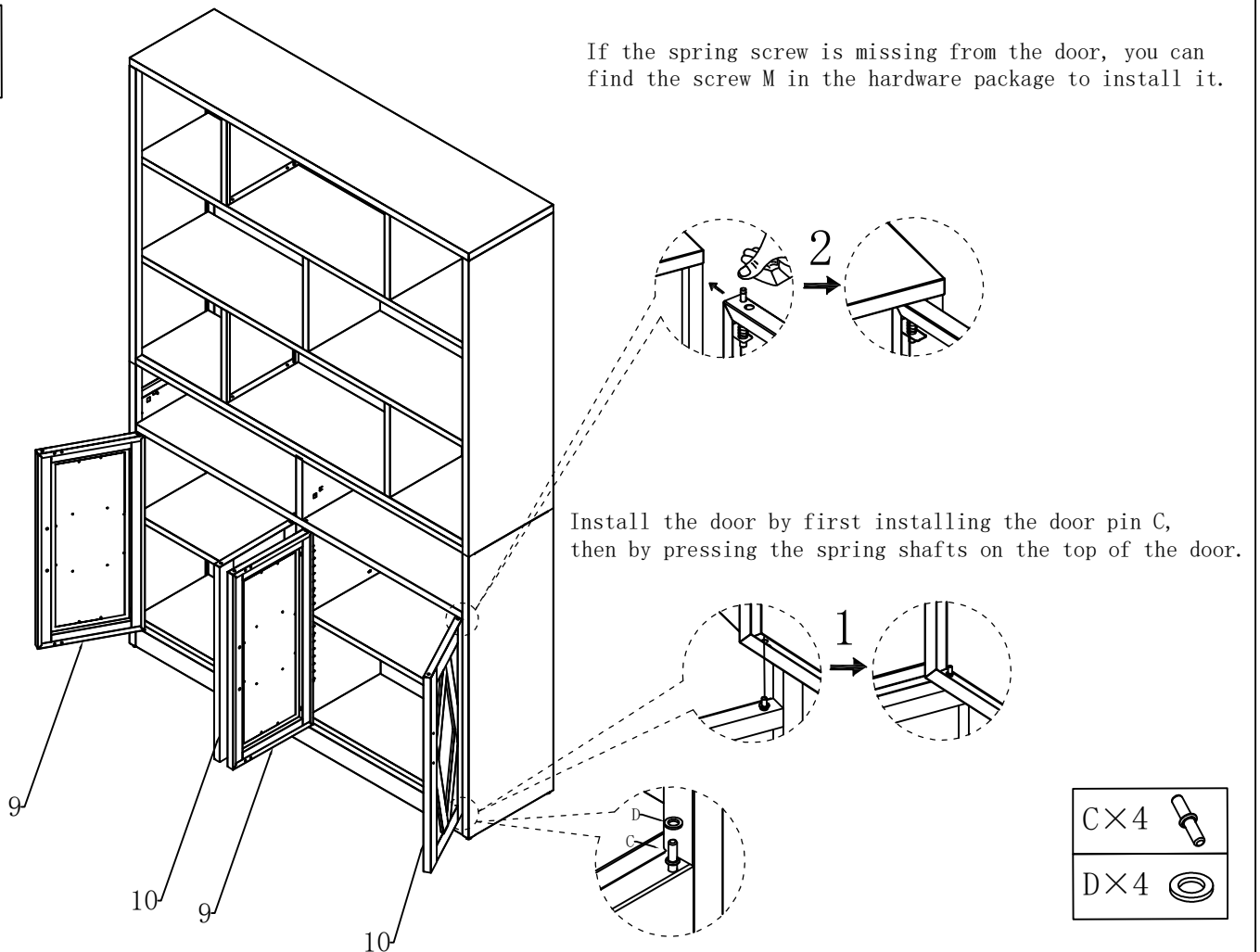
- |        |   |
|--------|---|
| E × 20 |  |
| I × 6  |  |

15

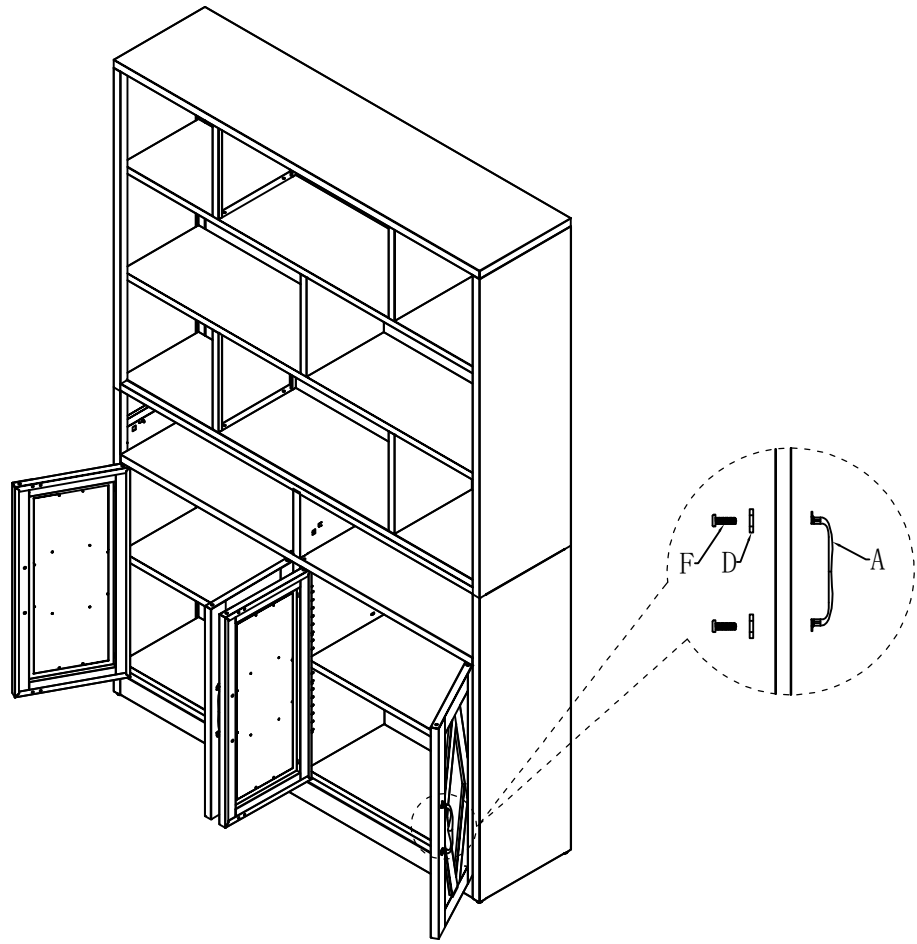


16

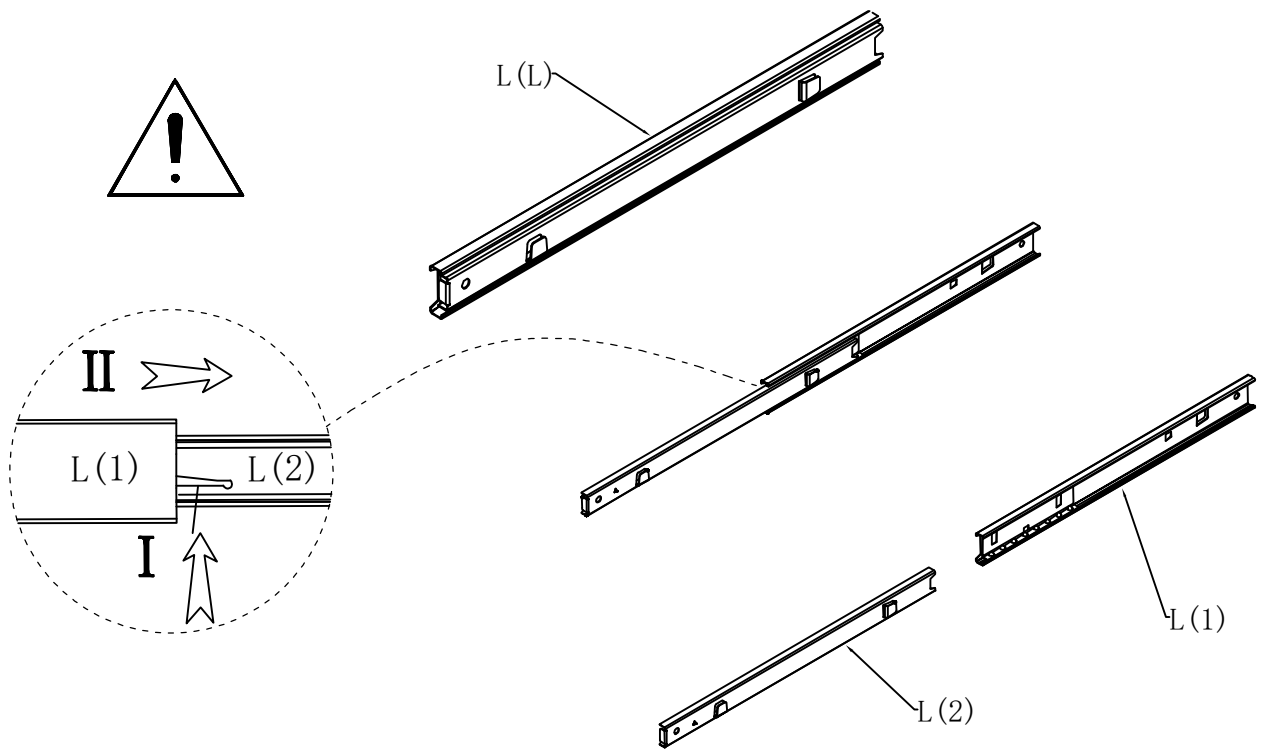
If the spring screw is missing from the door, you can find the screw M in the hardware package to install it.



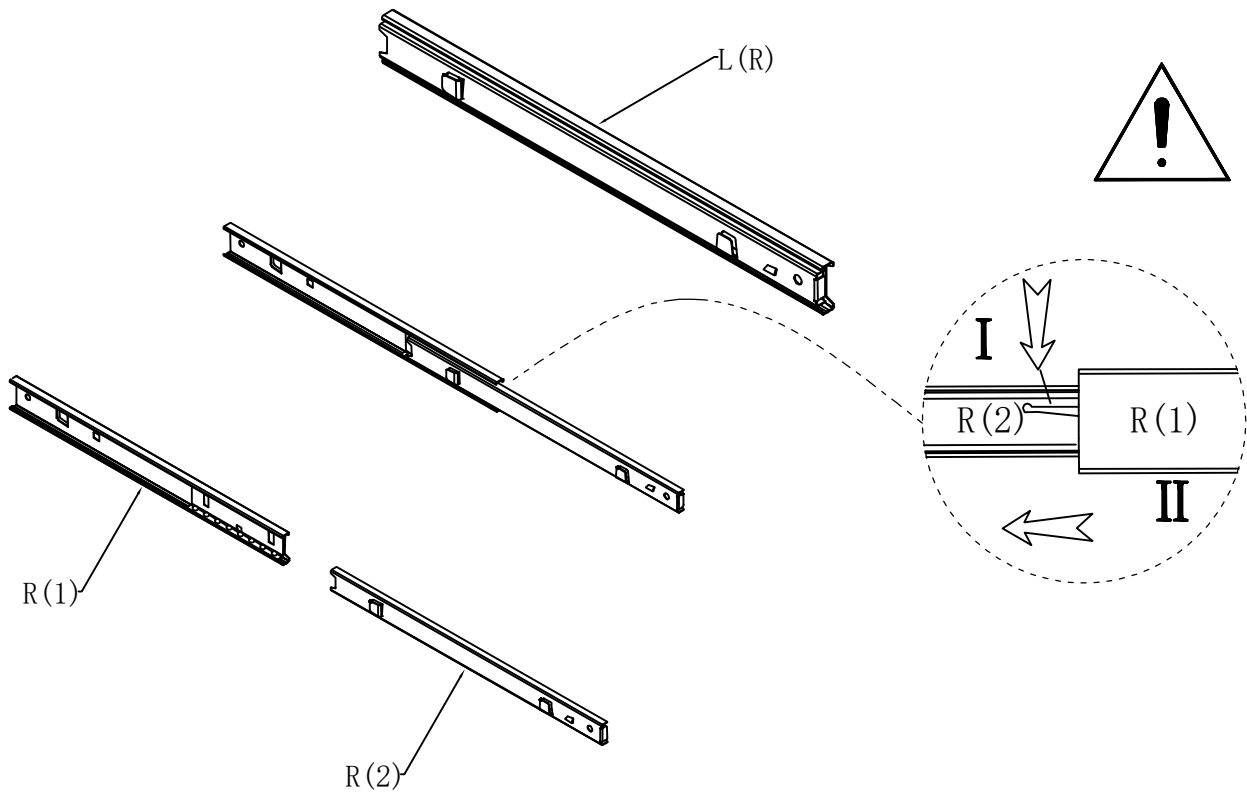
17



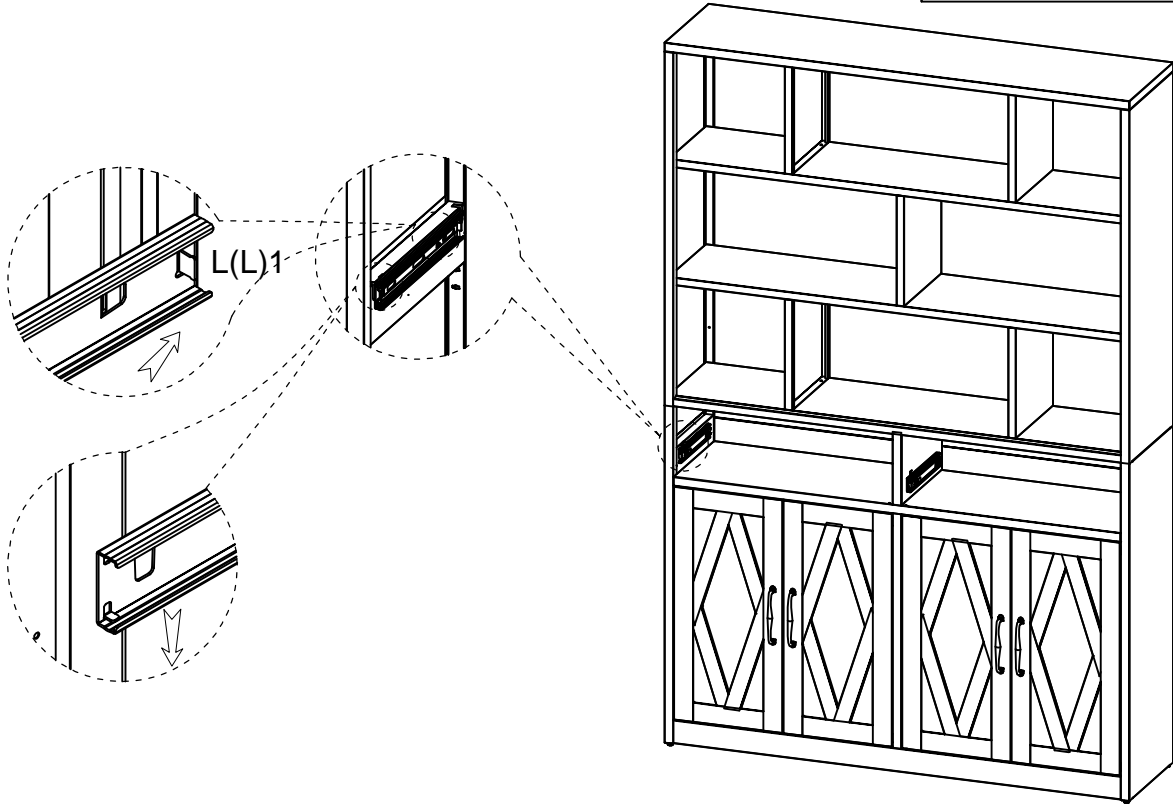
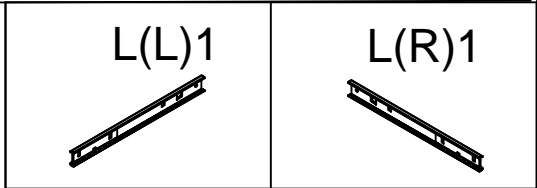
18



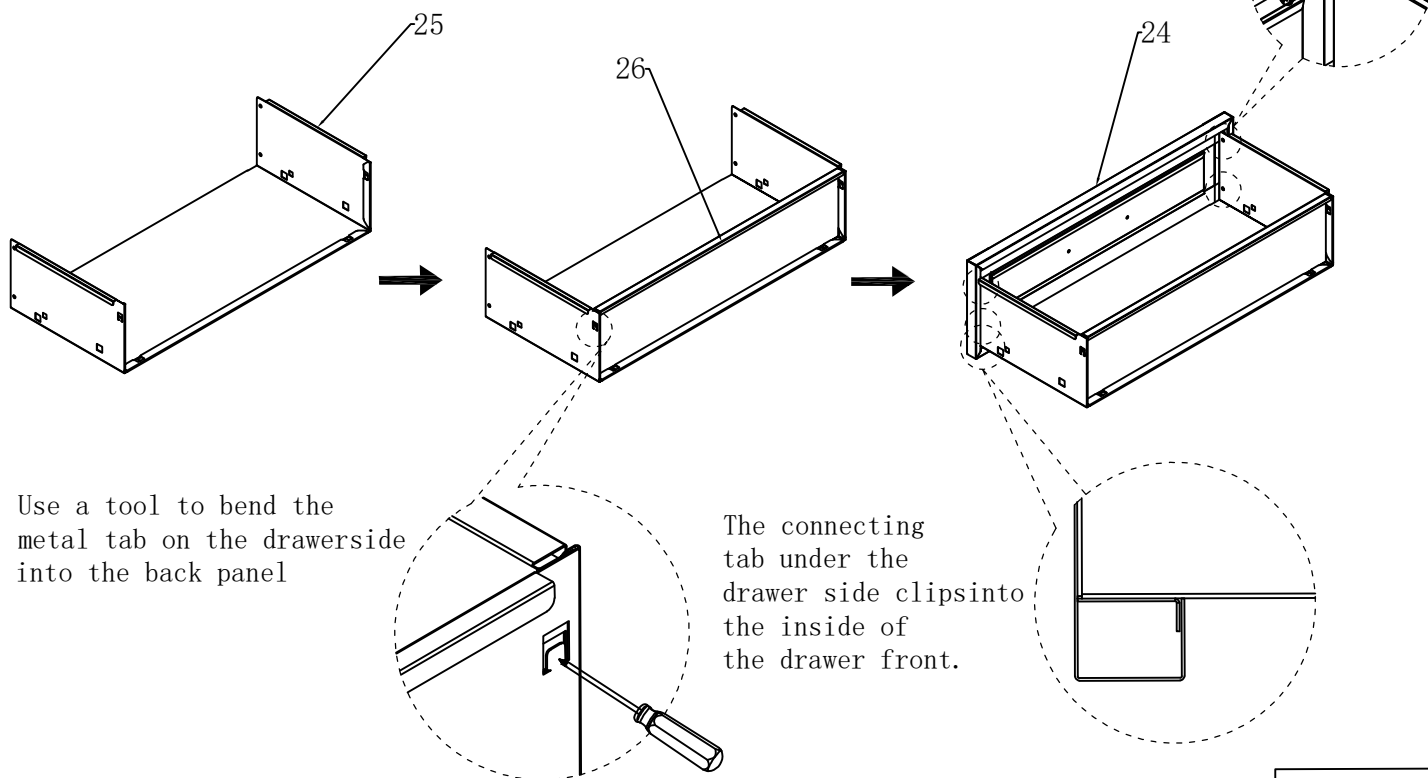
19



20




21



Use a tool to bend the metal tab on the drawerside into the back panel

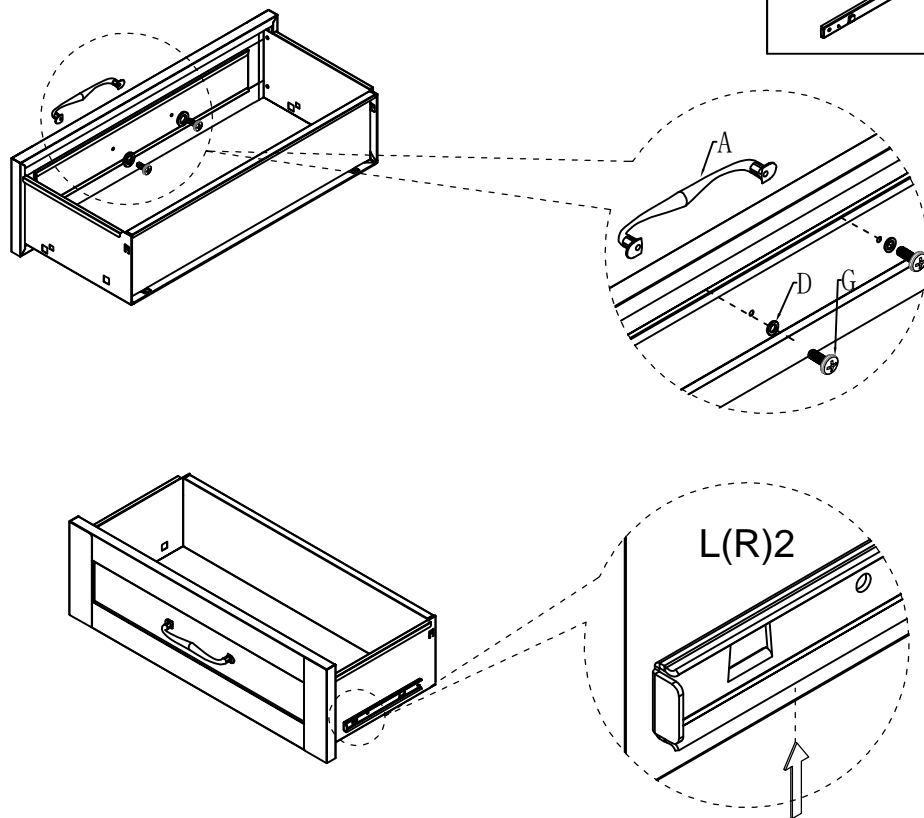
The connecting tab under the drawer side clips into the inside of the drawer front.





E×8 

22

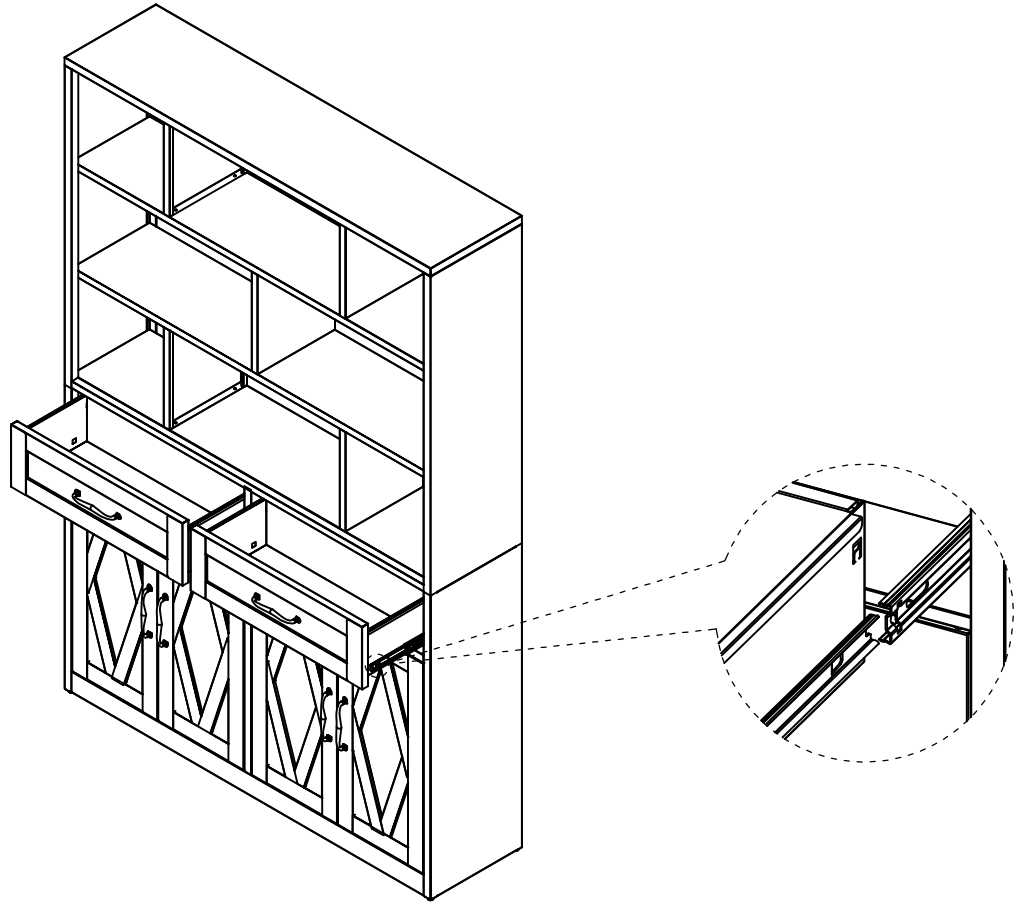
L(L)2

L(R)2

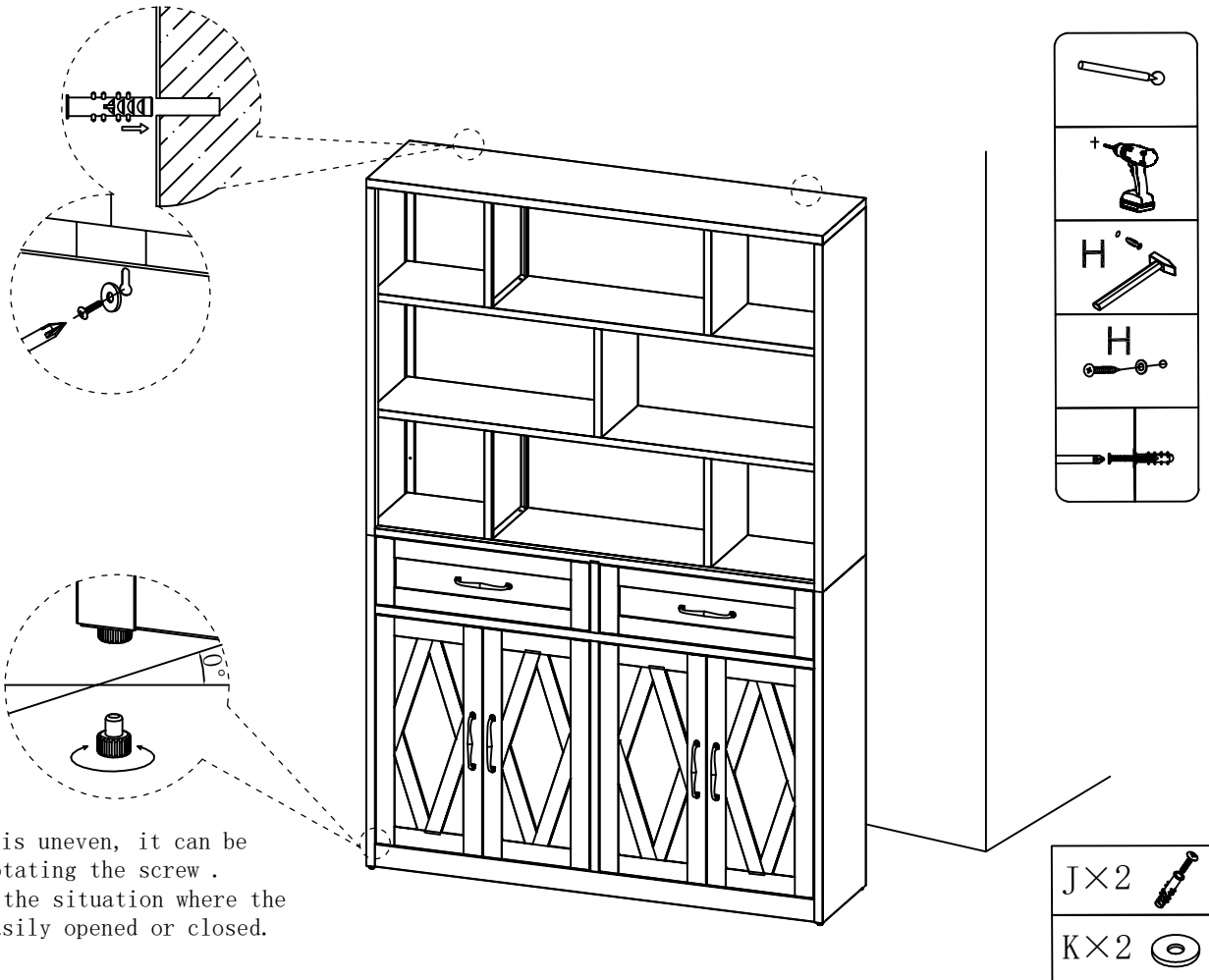


A×2   
 D×4   
 G×4   
 L×2 


23



24



If the ground is uneven, it can be adjusted by rotating the screw .  
This will fix the situation where the door is not easily opened or closed.

- J x 2 
- K x 2 