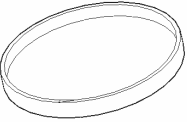

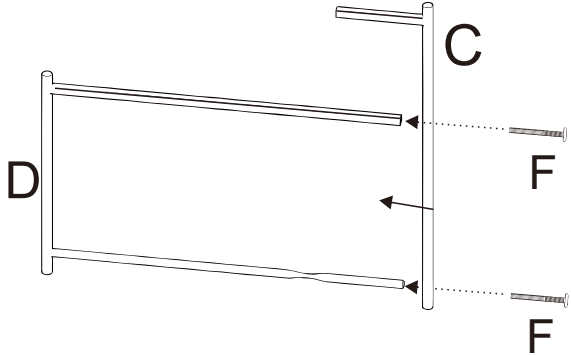


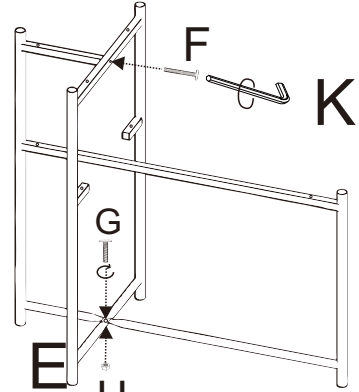










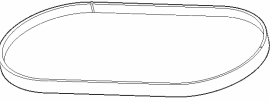



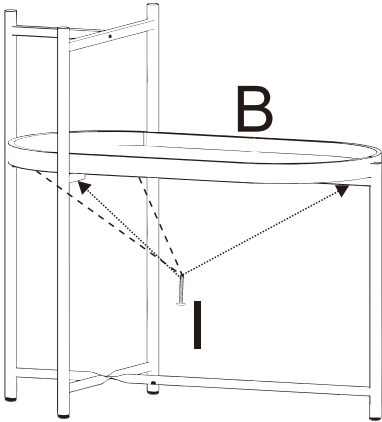


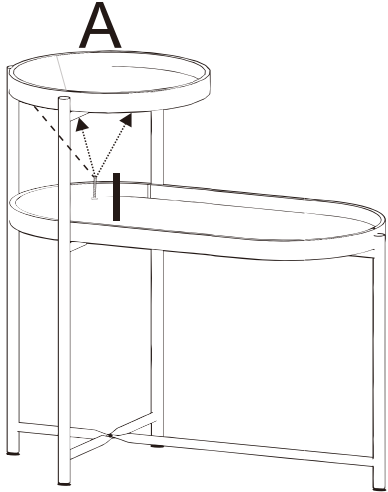




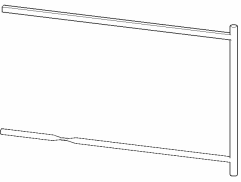

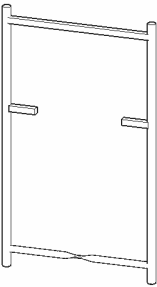

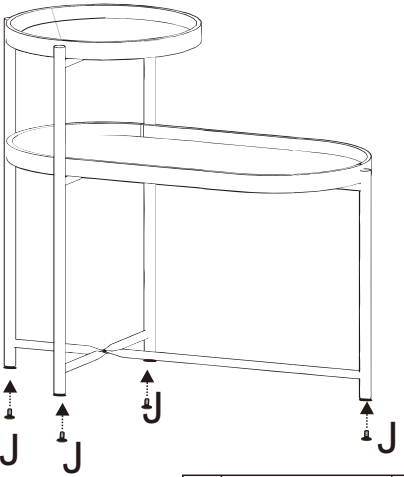









ASSEMBLY INSTRUCTION

A		x 1	F	 M6X30mm/1.18in	x 3	<div data-bbox="1032 150 1155 268">1</div>  <div data-bbox="1435 799 1644 839"> <table border="1"> <tr> <td>F</td> <td></td> <td>2</td> </tr> <tr> <td colspan="2">M6X30mm/1.18in</td> <td></td> </tr> </table> </div>	F		2	M6X30mm/1.18in			<div data-bbox="1644 150 1767 268">2</div>  <div data-bbox="1957 719 2192 839"> <table border="1"> <tr> <td>F</td> <td></td> <td>1</td> </tr> <tr> <td colspan="2">M6X30mm/1.18in</td> <td></td> </tr> <tr> <td>G</td> <td></td> <td>1</td> </tr> <tr> <td colspan="2">M6X10mm/0.39in</td> <td></td> </tr> <tr> <td>H</td> <td></td> <td>1</td> </tr> <tr> <td colspan="2">M6</td> <td></td> </tr> </table> </div>	F		1	M6X30mm/1.18in			G		1	M6X10mm/0.39in			H		1	M6		
F		2																													
M6X30mm/1.18in																															
F		1																													
M6X30mm/1.18in																															
G		1																													
M6X10mm/0.39in																															
H		1																													
M6																															
B		x 1	G	 M6X10mm/0.39in	x 1																										
C		x 1	H	 M6	x 1	<div data-bbox="517 839 640 957">3</div>  <div data-bbox="770 1490 1028 1533"> <table border="1"> <tr> <td>I</td> <td></td> <td>4</td> </tr> <tr> <td colspan="2">M6X25mm/0.98in</td> <td></td> </tr> </table> </div>	I		4	M6X25mm/0.98in			<div data-bbox="1028 839 1151 957">4</div>  <div data-bbox="1397 1490 1644 1533"> <table border="1"> <tr> <td>I</td> <td></td> <td>3</td> </tr> <tr> <td colspan="2">M6X25mm/0.98in</td> <td></td> </tr> </table> </div>	I		3	M6X25mm/0.98in														
I		4																													
M6X25mm/0.98in																															
I		3																													
M6X25mm/0.98in																															
D		x 1	I	 M6X25mm/0.98in	x 7																										
E		x 1	J	 M6X15mm/0.59in	x 4	<div data-bbox="1644 839 1767 957">5</div>  <div data-bbox="1935 1490 2192 1533"> <table border="1"> <tr> <td>J</td> <td></td> <td>4</td> </tr> <tr> <td colspan="2">M6X15mm/0.59in</td> <td></td> </tr> </table> </div>	J		4	M6X15mm/0.59in			<div data-bbox="1028 1332 1644 1533"> <table border="1"> <tr> <td>J</td> <td></td> <td>4</td> </tr> <tr> <td colspan="2">M6X15mm/0.59in</td> <td></td> </tr> </table> </div>	J		4	M6X15mm/0.59in														
J		4																													
M6X15mm/0.59in																															
J		4																													
M6X15mm/0.59in																															
			K	 M6	x 1																										