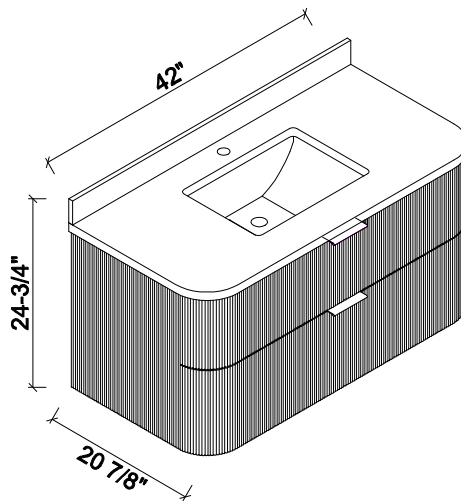
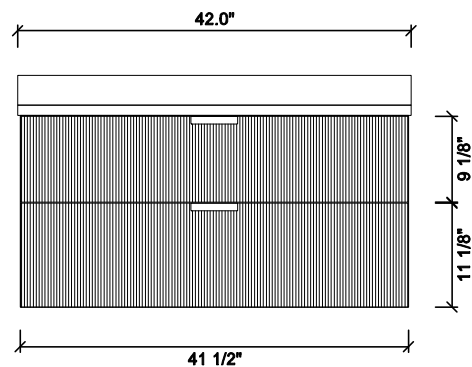
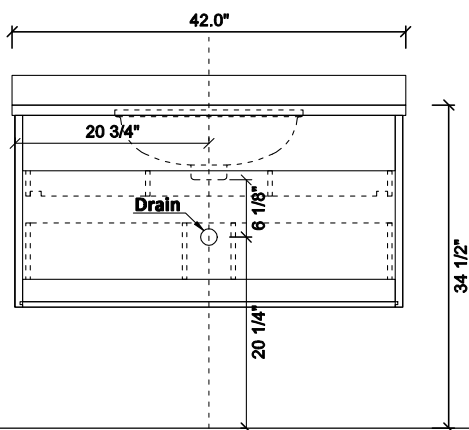
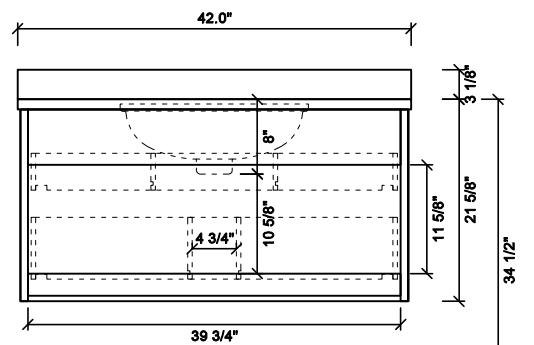
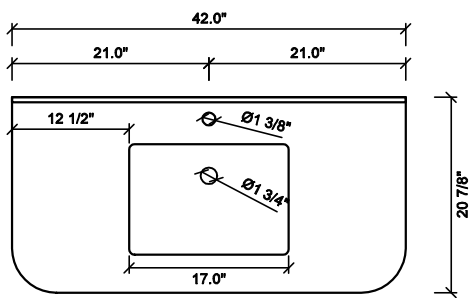




Chantal 42 Floating Vanity Installation Instruction



DIMENSIONS



WARNING !

In the hole on the wall, please be sure to be careful to avoid the internal cables and pipelines.

MATERIALS & TOOLS








Safety glasses, Pencil, Level, Tape measure, Stud Finder, Assorted screwdrivers, Assorted Wrenches, Drill, Screw gun, Caulking gun, Hammer, Screws, Nail anchors/Molly screws.

Vanity Installation

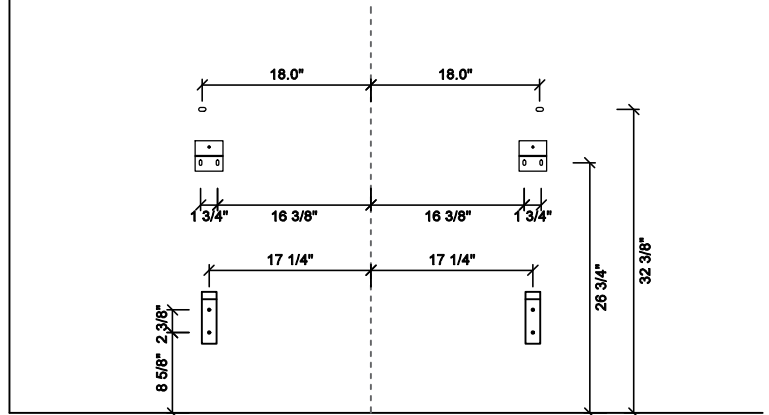
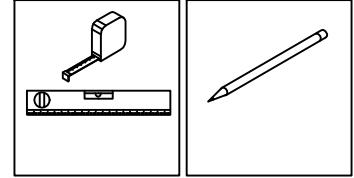
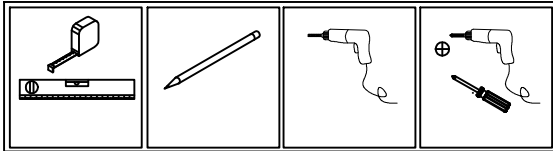
Step 1

Step 2

PARTS




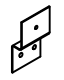
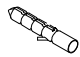

 A x6	 6*55 B x6	 C x2	 D x2
 E x10	 5*50 F x4	 3.5*15 G x2	

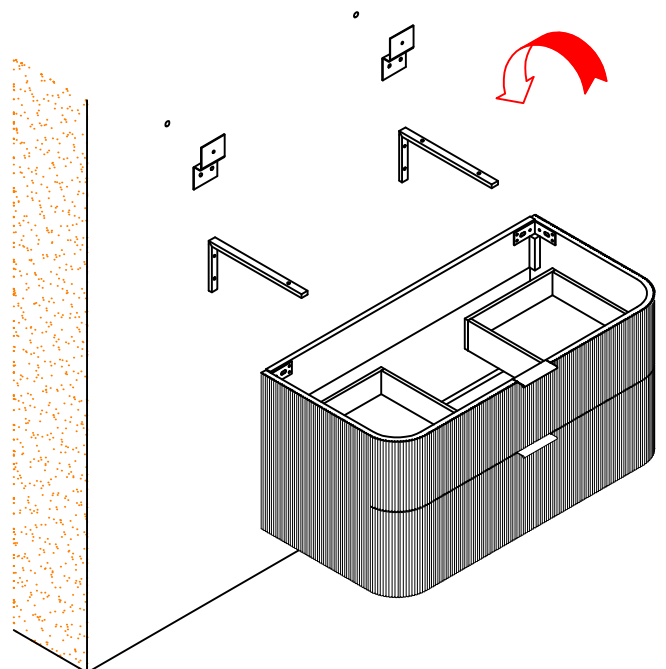
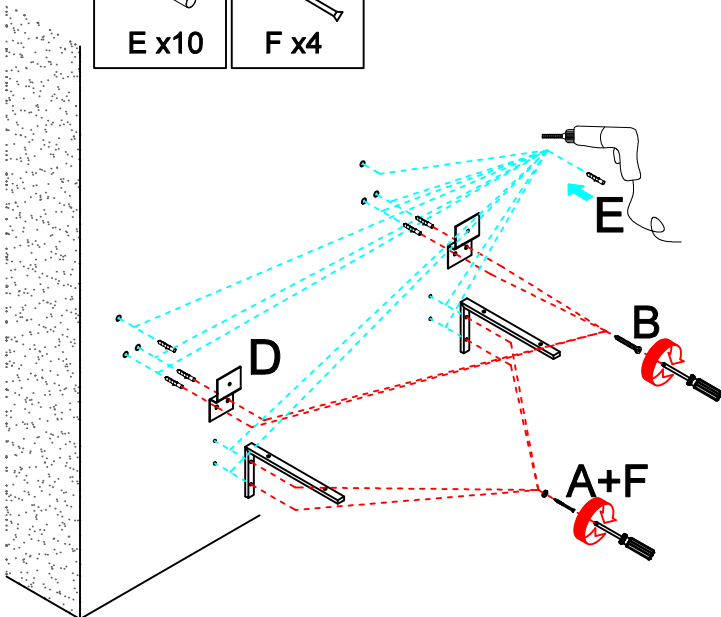
TOOLS REQUIRED



Step 3

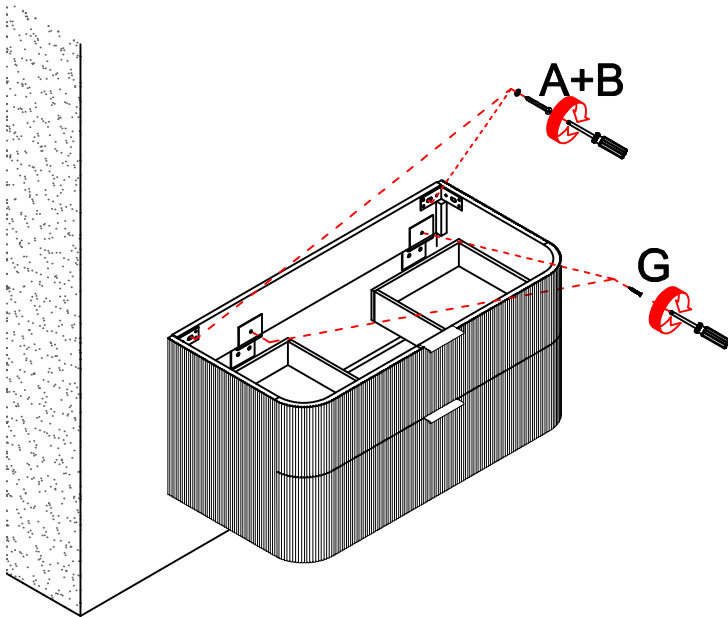
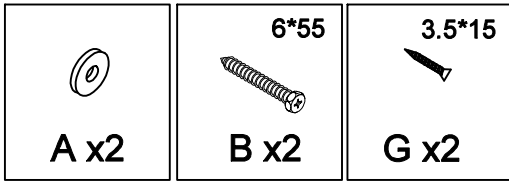
Step 4

 A x4	 6*55 B x4	 C x2	 D x2
 E x10	 5*50 F x4		

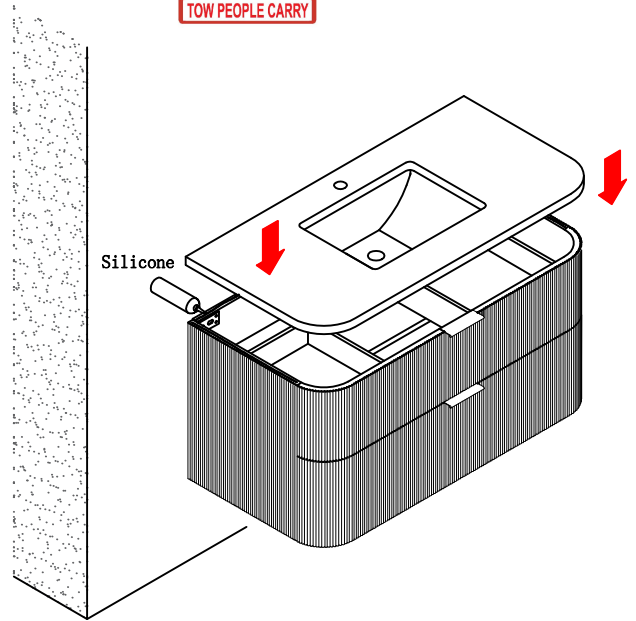


Vanity Installation

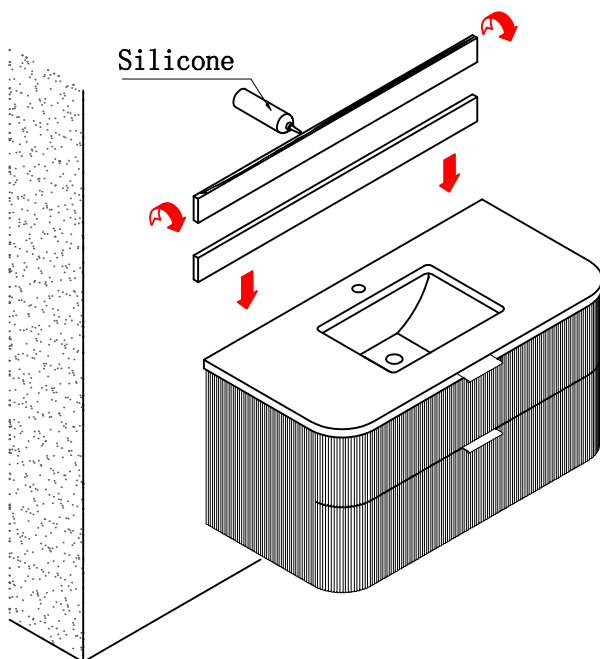
Step 5



Step 6



Step 7



Step 8

