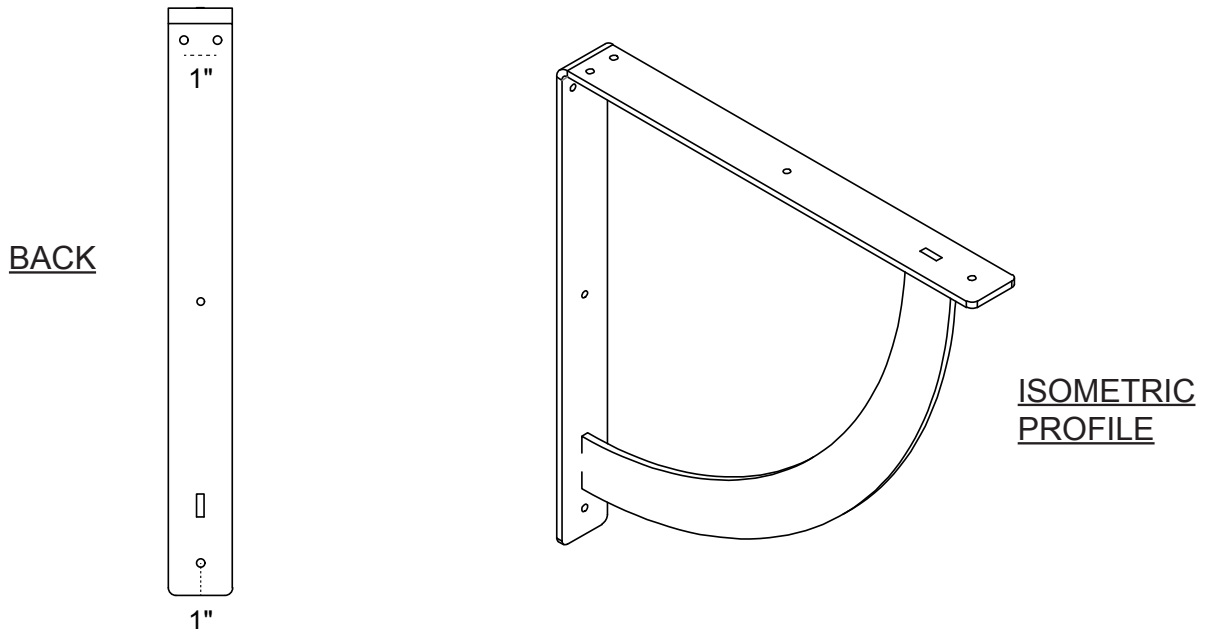
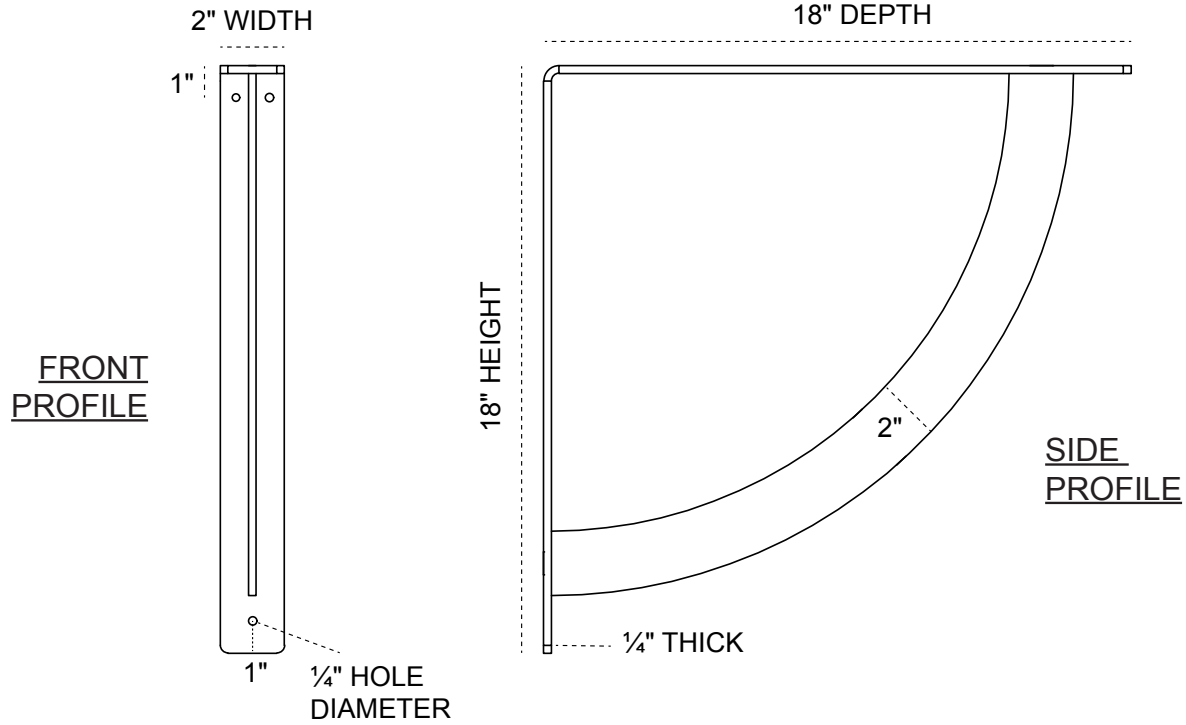


# 2-INCH W X 18-INCH D X 18-INCH H BULWARK BRACKET



**HEAVY-DUTY  $\frac{1}{4}$ " THICK**

**AVAILABLE IN:**  
STAINLESS STEEL  
ZINC PLATED STEEL  
POWDER COATED BLACK

**BKTM02X18X18BUSS**  
**BKTM02X18X18BUCRS**  
**BKTM02X18X18BUPBL**

P:866.607.0453 | F: 866.591.3143  
2300 W. Main St. | Clarksville, TX 75426  
sales@ekenamillwork.com | www.ekenamillwork.com



**EKENA**  
MILLWORK