

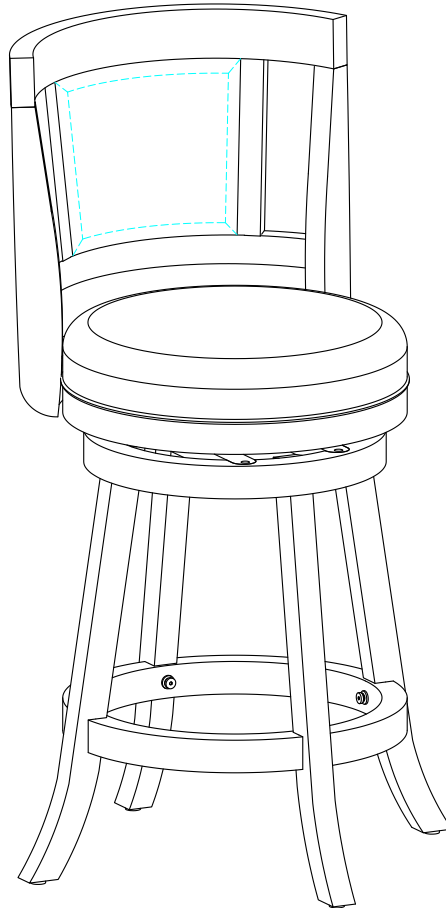


# Boraam Industries

ASSEMBLY INSTRUCTIONS

**SKU: 62524,62529,62924,62929,62829,62824**

## AVIANNA SWIVEL STOOL



Have questions about  
assembling your item?



Items or parts damaged?



Missing a part?

**We're here to help! (Monday-Friday from 9am-5pm CST)**



847-949-6300  
877-267-2261



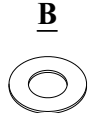
customerservice@  
boraamindustries.com



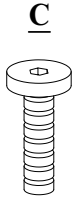
www.boraamindustries.com



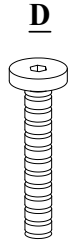
**A**  
Spring Washer  
18 PCS



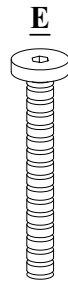
**B**  
Flat Washer  
18 PCS



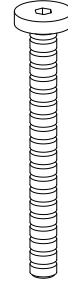
**C**  
M6\*25  
4 PCS



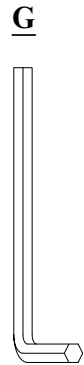
**D**  
M6\*40  
8 PCS



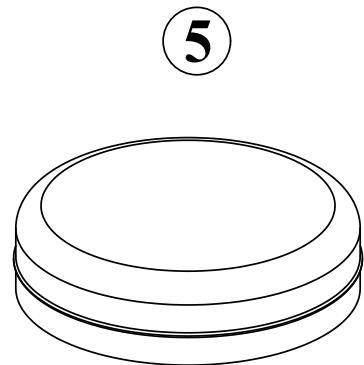
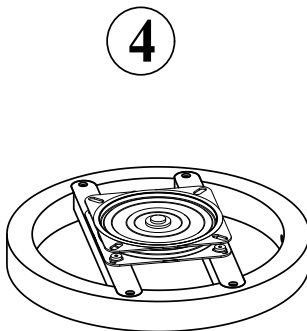
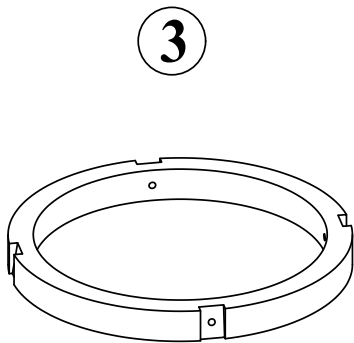
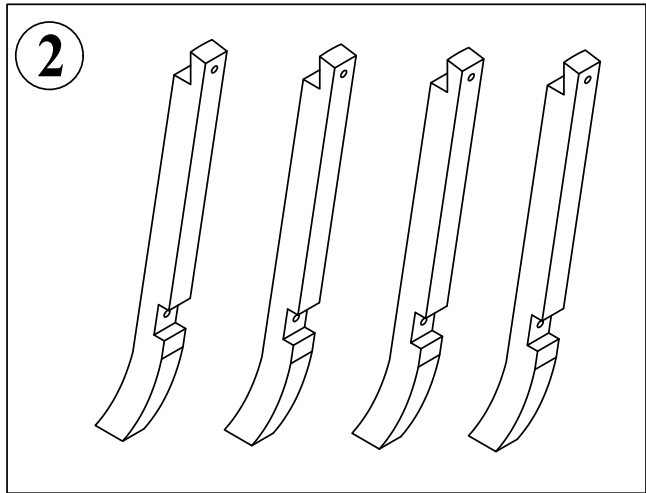
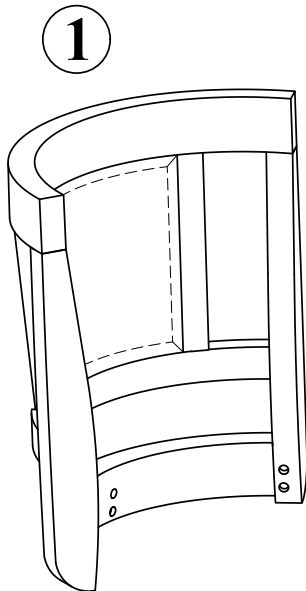
**E**  
M6\*45  
2 PCS



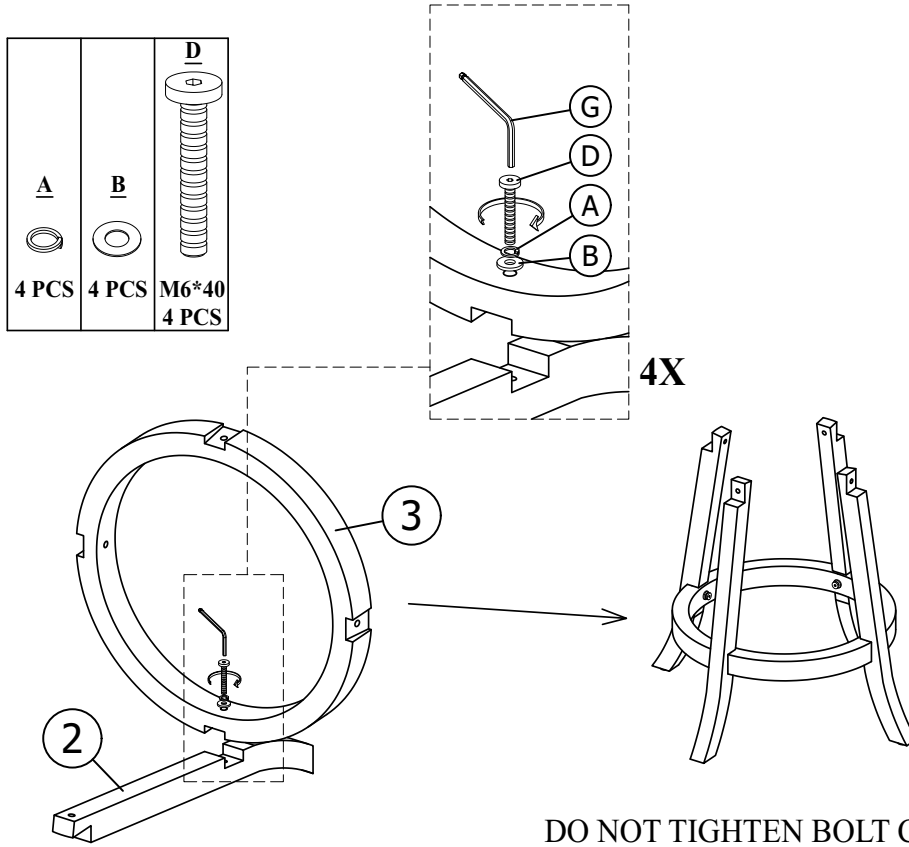
**F**  
M6\*50  
4 PCS



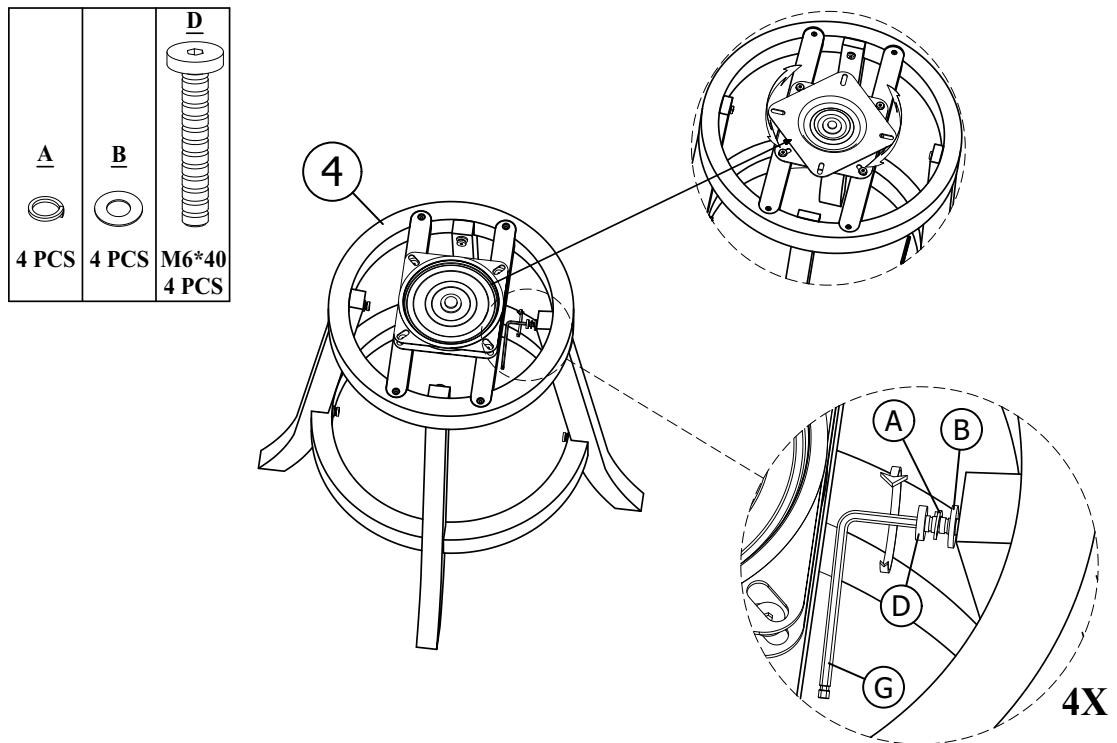
**G**  
Allen Wrench  
1 PC





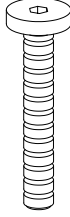
# 01

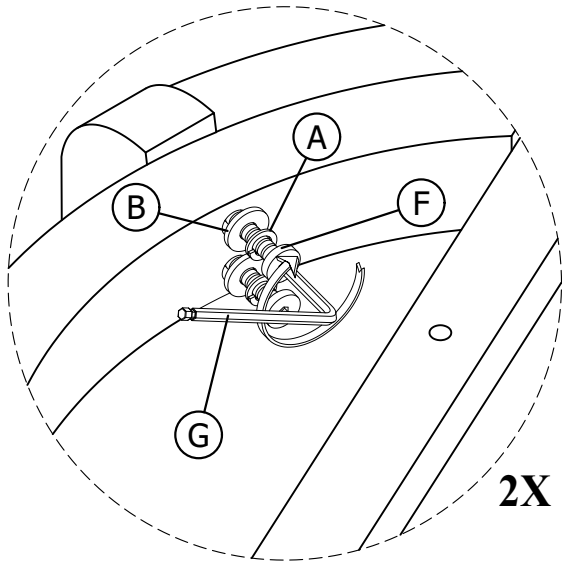
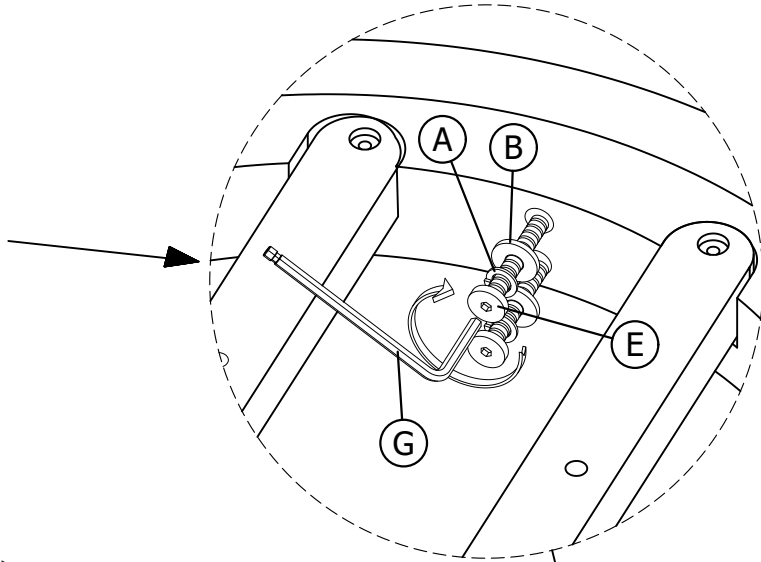




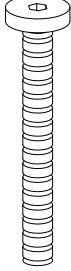
# 02

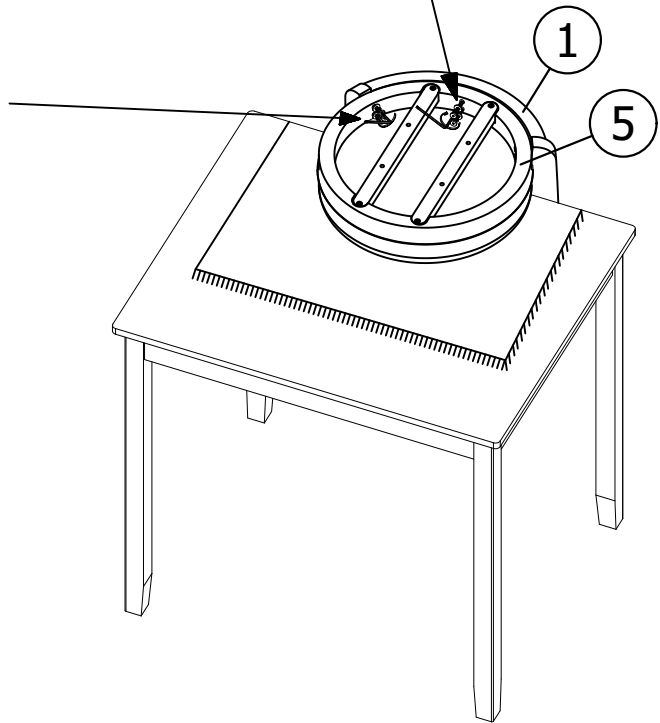


# 03

<b>A</b>	<b>B</b>	<b>E</b>
		
2 PCS	2 PCS	M6*45 2 PCS

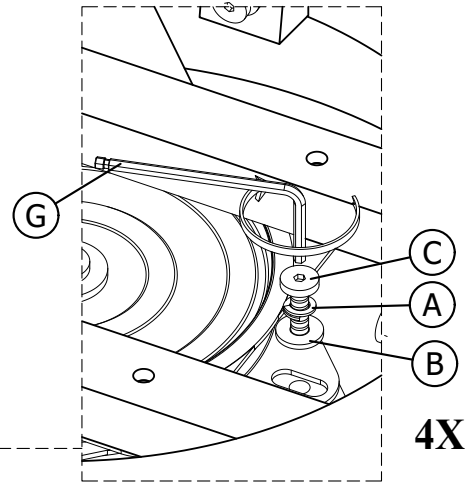
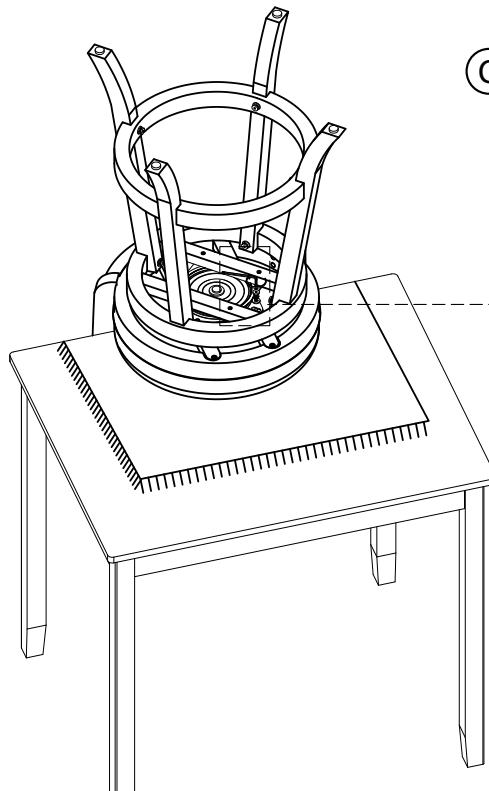
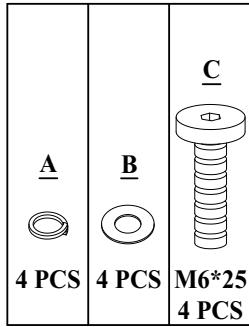


<b>A</b>	<b>B</b>	<b>F</b>
		
4 PCS	4 PCS	M6*50 4 PCS

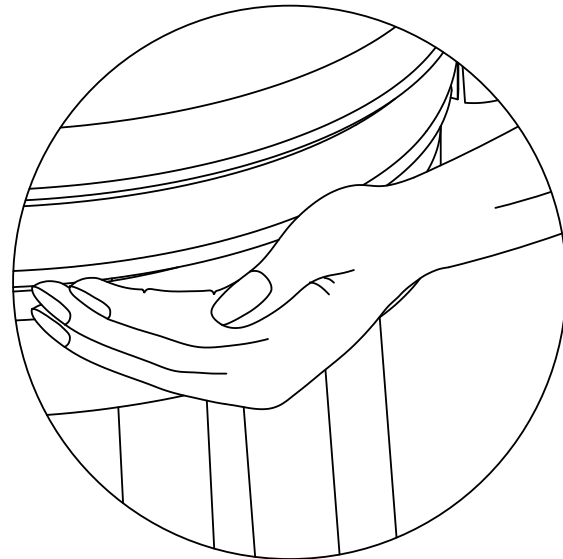
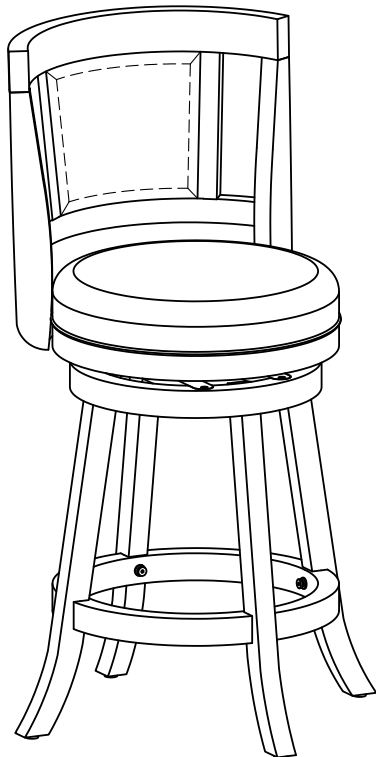


TIGHTEN BOLT COMPLETELY.

# 04



TIGHTEN BOLT COMPLETELY.



BE SURE TO CHECK ALL BOLTS ARE SECURELY TIGHTENED PRIOR USING THIS STOOL

847-949-6300 | 877-267-2261 | [customerservice@boraamindustries.com](mailto:customerservice@boraamindustries.com)