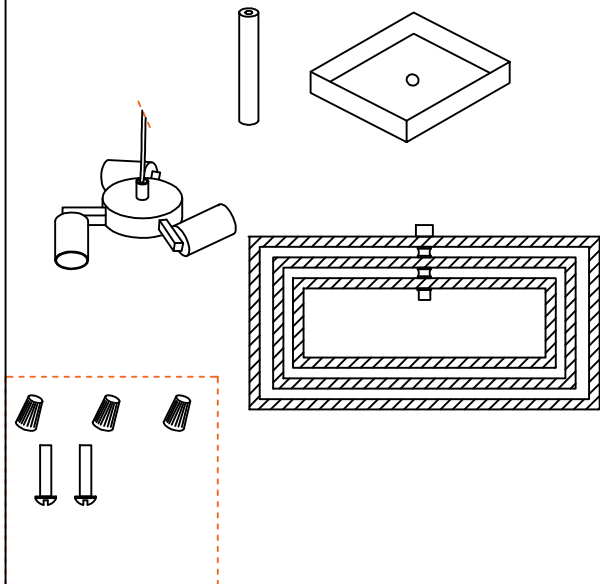
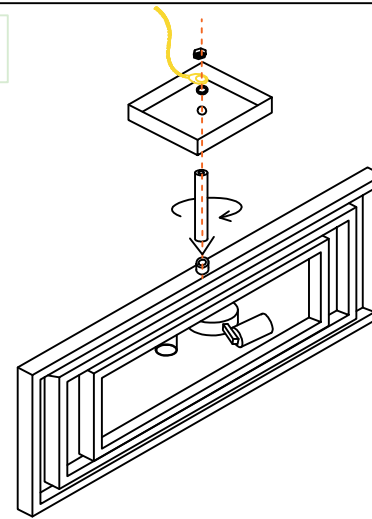


Parts

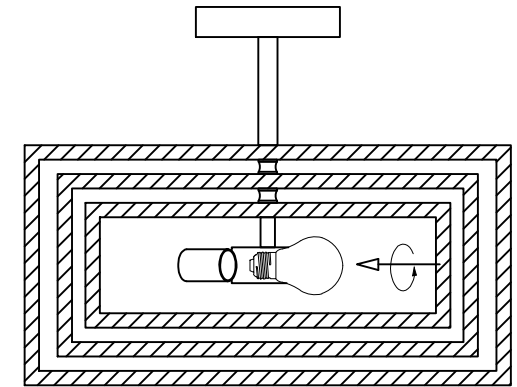


Steps 2



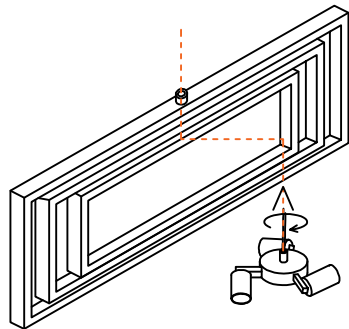
1. Wire pass the light rods, screw the rod into the square frame and the canopy.

Steps 4



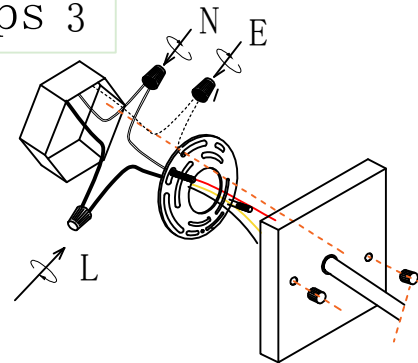
- Install the light bulb
(bulb not included)

Steps 1



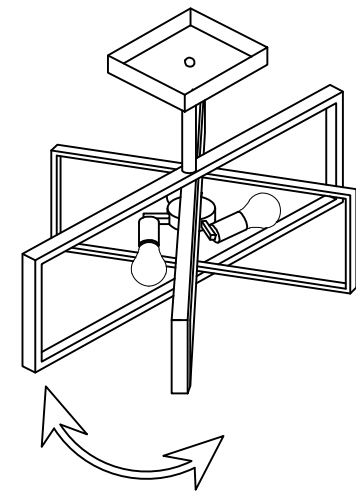
1. Wire pass the light fixture, assemble lamp ancient to square frame with screw nut.

Steps 3



1. Assembled the mounting bracket to the ceiling junction box with the screw
2. Connect the power cord out from the ceiling junction box to lamp wires with the lead wire and wire nut. according to the wire color, to connect . (U.S.-black for "L", white for "N", copper wire for "Ground E")
3. Assemble the canopy to the mounting bracket by tightening the ball nuts

Steps 5



- Finished the installation, according to the direction what you need adjust the square frame.

WARNING (To reduce the risk of fire, electric shock, or injury to persons):

1. We suggest installation by a licensed electrician.
2. Please read the instruction carefully and save it as you may need it at later time.

3. Before you start, NEVER attempt any work without shutting off the electricity until the work is done.

A). Go to the main fuse, or circuit breaker box in your home. Place the main power switching the "OFF" position B) Place the wall switch in the "OFF" position.

4. Mounting surface should be clean, dry, flat, strong enough and 1/4" larger than the canopy on all side. Any gaps between the mounting surface and canopy exceeding 3/16" should be corrected as required.

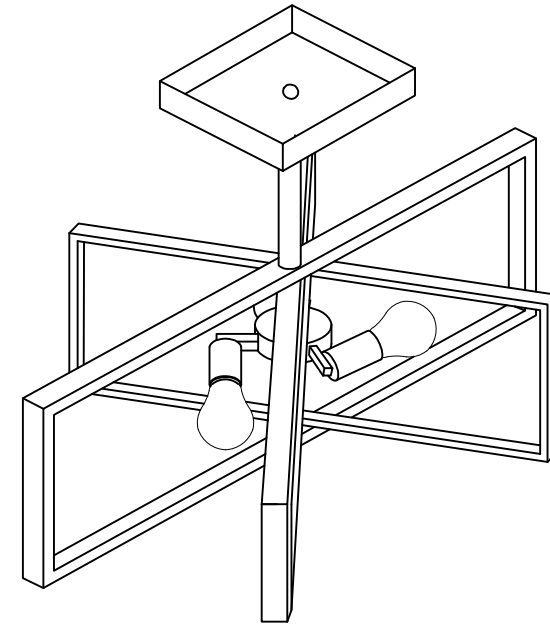
5. Make sure that the ceiling or wall can stand the weight of the lamp before fixture.

6. Make sure the voltage you are using is 120V The maximum wattage is 40W per bulb.

7. Keep the lamp away from acidic and basic objects in case of damaging the surface of the lamp.

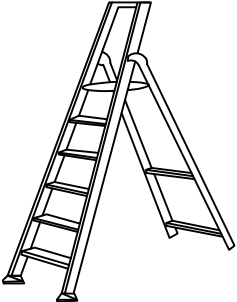
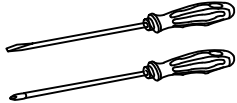


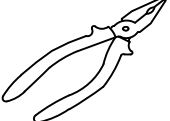
8. When replacing bulb you should turn off or unplug the lamp and you must wait until it is cool as bulbs get hot quickly.

9. The safety instructions appearing in this manual are not meant to cover all possible conditions that may occur. It must be understood that common sense caution and care must be used with any electrical products.



TOOLS REQUIRED (NOT INCLUDED) :

Before doing assembly and installation please prepare the needed tools as below picture

		
Step Ladder	Phillips Head, Flat Blade Screwdrivers	Electrical tape
		
	Wire Cutter/Stripper	Plier