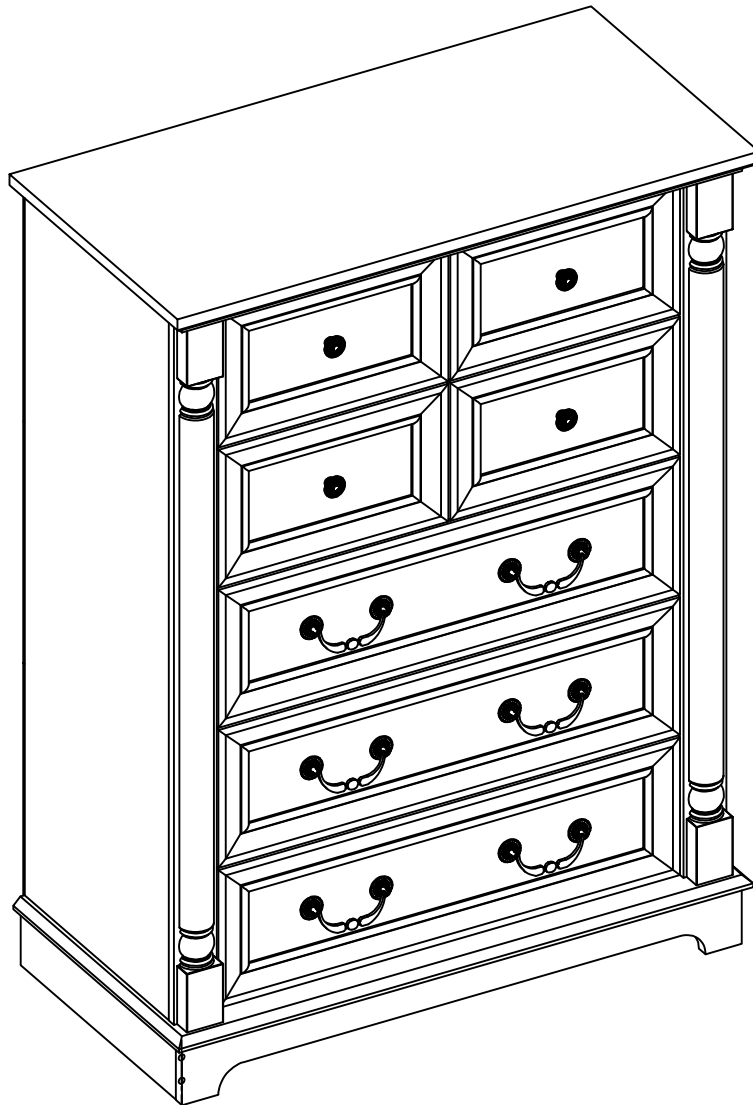


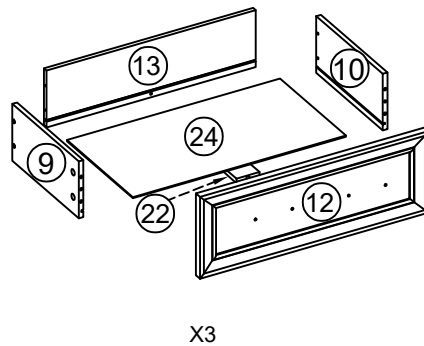
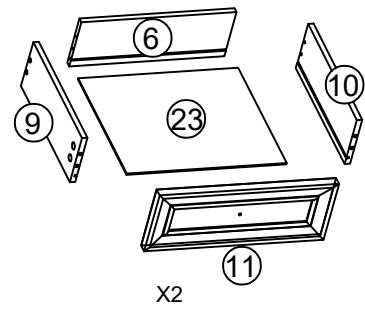
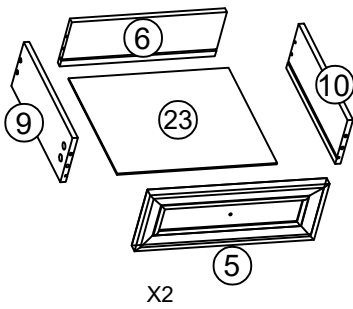
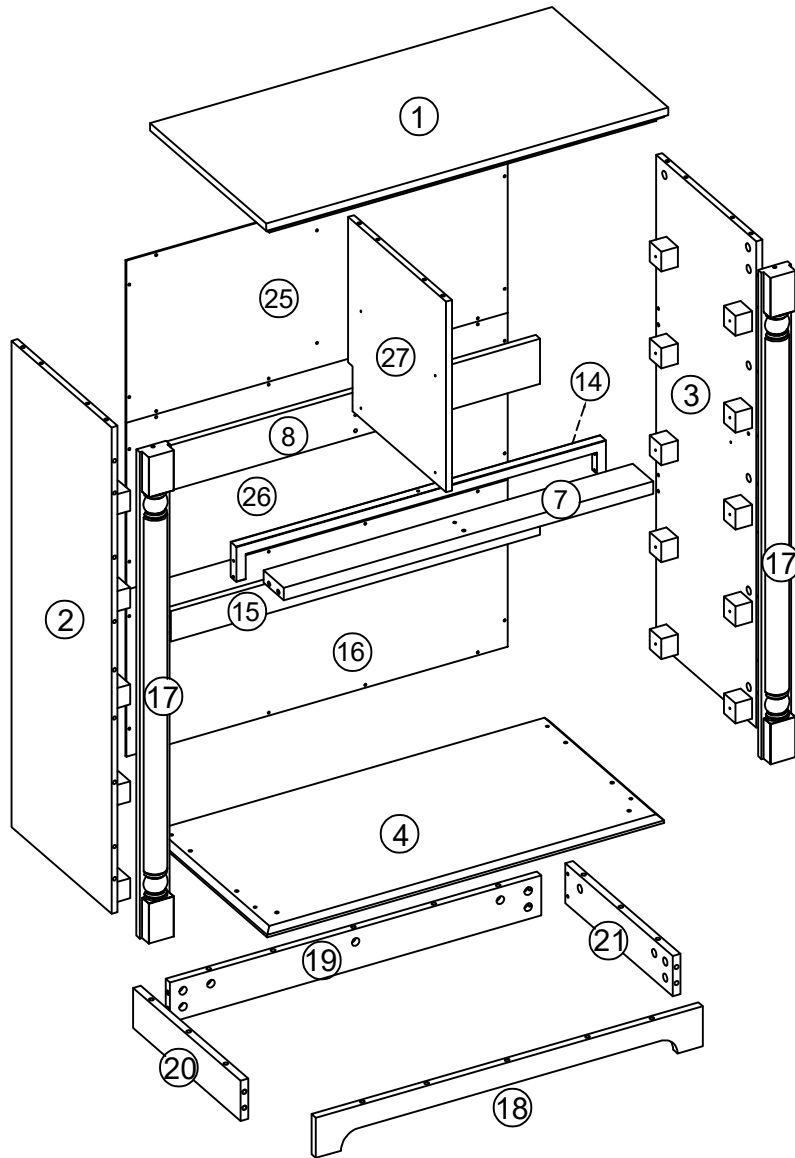
Multifunctional storage

Assembly Instructions

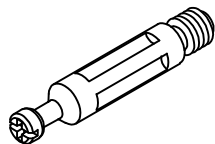


七斗柜

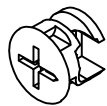
Parts List



Hardware

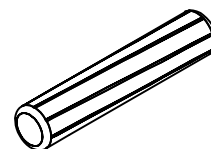


A x 80sets



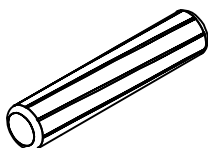
∅15X9.5MM

B x 80sets



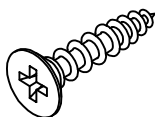
∅6 x 30MM

C x 42pcs



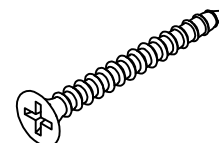
∅8 x 30MM

D x 8pcs



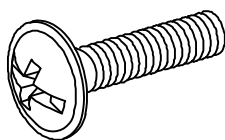
3.5 x 12MM

E x 60pcs



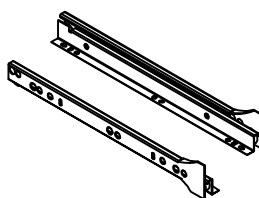
3.5 x 35MM

F x40pcs



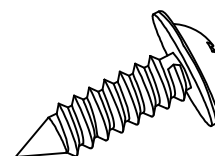
M4 x 12MM

G x 16pcs



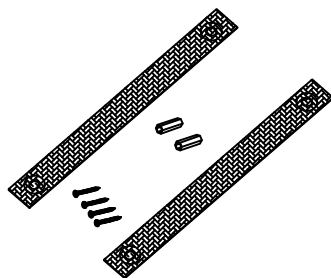
300MM

H x 7sets

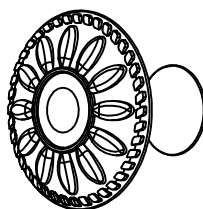


3.5 x 12MM

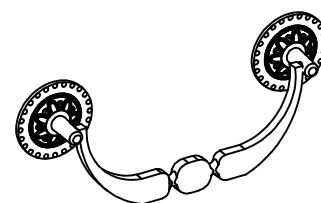
I x36pcs



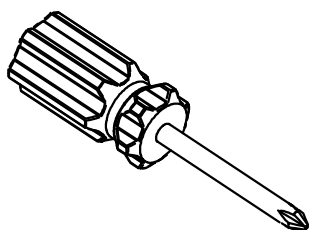
J x 1sets



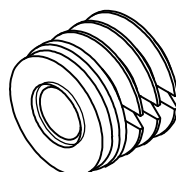
K x 4sets



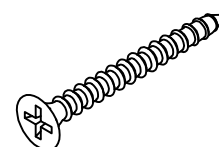
L x 6sets



M x 1sets






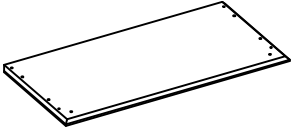

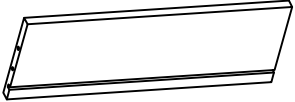
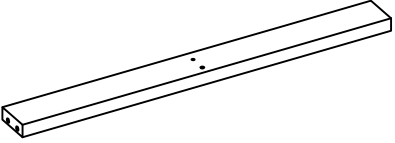
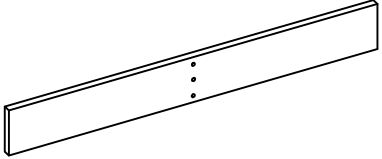
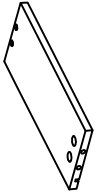
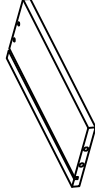

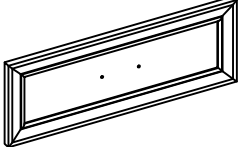
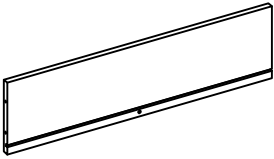
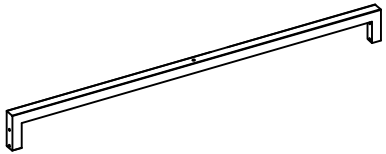
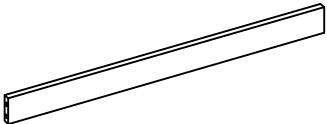
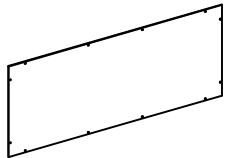
N x 5sets




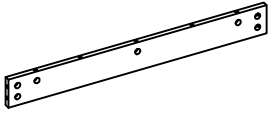
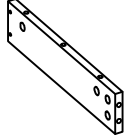
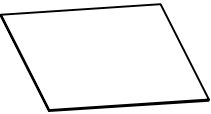
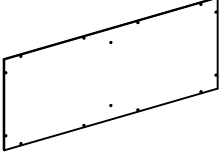
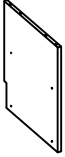
3.5 x 30MM


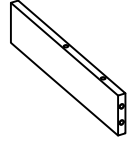
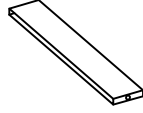
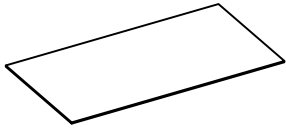
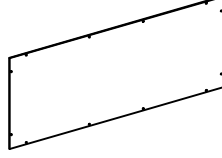
O x4pcs

ASSEMBLY MATERIAL

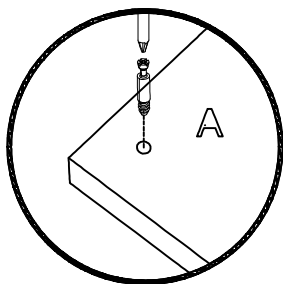
Item no.	Reference Image	Qty.	Item no.	Reference Image	Qty.
①		X1	②		X1
③		X1	④		X1
⑤		X2	⑥		X4
⑦		X1	⑧		X1
⑨		X7	⑩		X7
⑪		X2	⑫		X3
⑬		X3	⑭		X1
⑮		X1	⑯		X1

ASSEMBLY MATERIAL

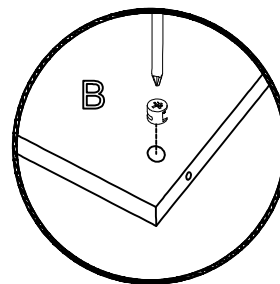
Item no.	Reference Image	Oty.
17		X2
19		X1
21		X1
23		X4
25		X1
27		X1

Item no.	Reference Image	Oty.
18		X1
20		X1
22		X3
24		X3
26		X1

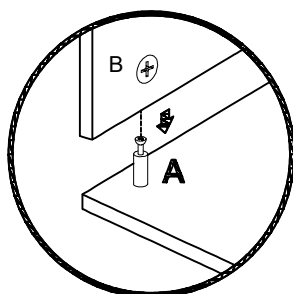
How to use the cam lock system



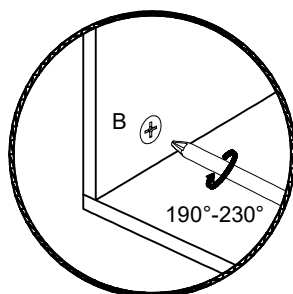
1. Screw cam bolt into panel



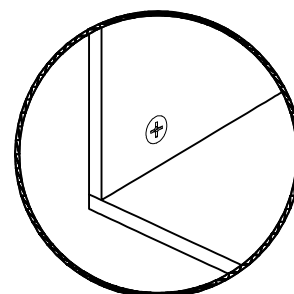
2. Push cam into panel - arrow feature on cam top points to panel edge



3. Align cam bolt(s) with cam(s) and insert all the way into cross-bored hole(s)

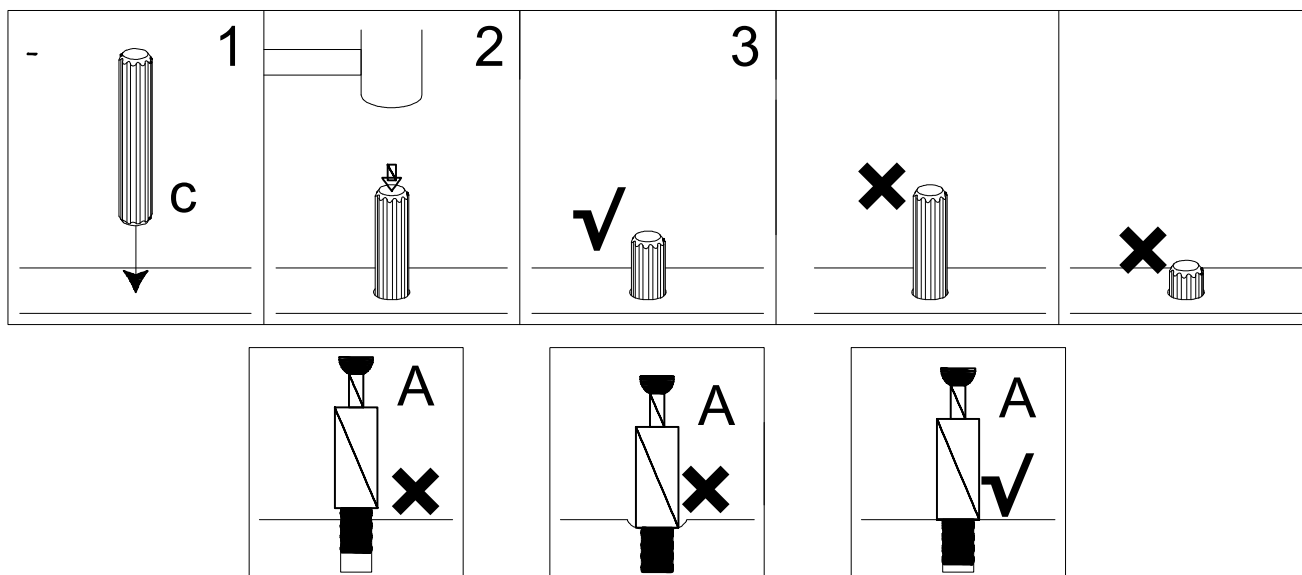


3. Rotate cam(s) clockwise 190°-230° to lock panels together



5. Panels should be tight against each other and connection should be rigid

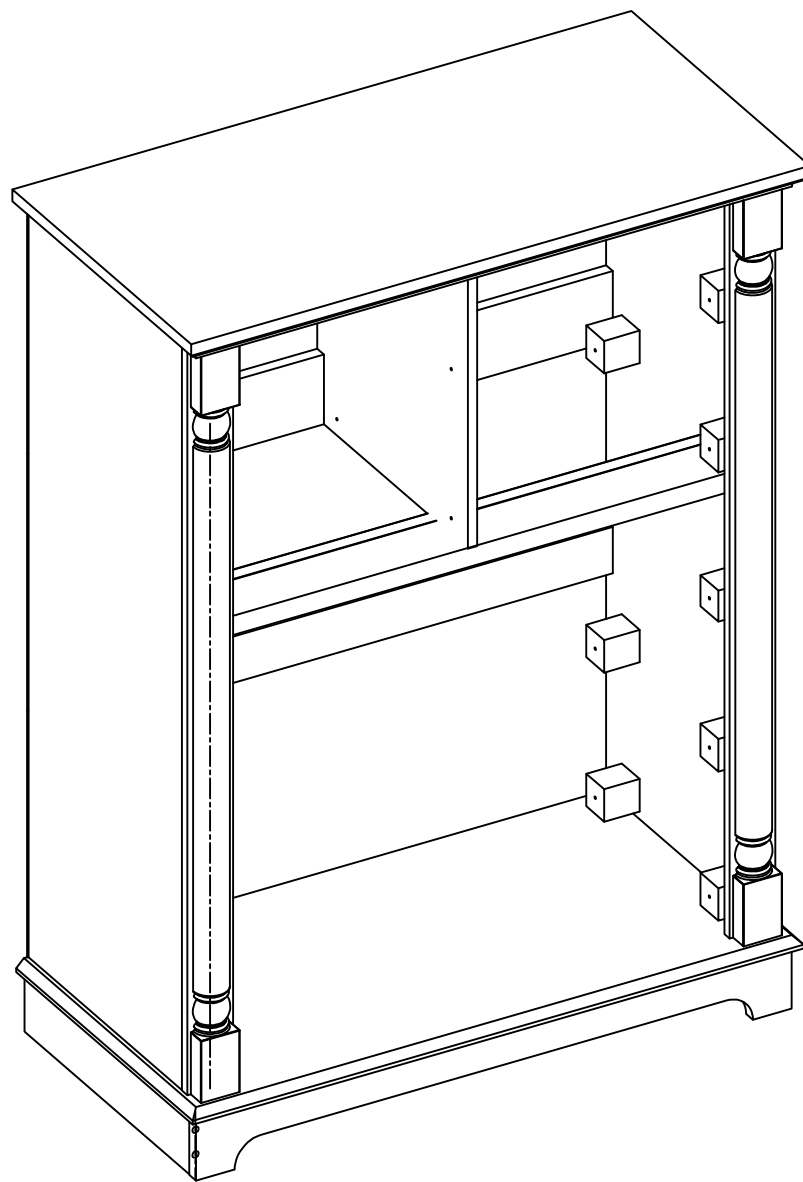
Insert the wood dowel [C] at least half way by tapping lightly with a rubber mallet ,IF NECESSARY.



- Unit must be placed on a level surface or leveled with included hardware (when applicable).
- Do not sit or stand on or allow children to climb, sit or stand on the assembled product.
- For safety reasons, it is imperative that this unit be mounted to the wall.
- Do not use without installing the tip restraint.
- Unit can tip over causing severe injury or death.
- Do not exceed the recommended weight limits.
- Evenly distribute the weight on each level and always keep the heavier loads on the bottom.
- Before cutting, drilling or hammering into any wall or floor surface, verify the location of electrical, plumbing and gas lines. Cutting may cause serious injury.

Ready to assemble the Multi-purpose lockers

Before installation, observe each structure of the Multi-purpose lockers. The Multi-purpose lockers consists of two main parts. You will assemble the chest first, and then install the seven drawers. Finally, look at the finished look, and contrast list of part, imagine how to install it faster, hope this will help you.



Step 1

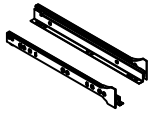
(E)



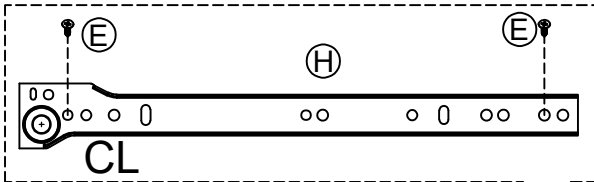
3.5 x 12MM

E x 10

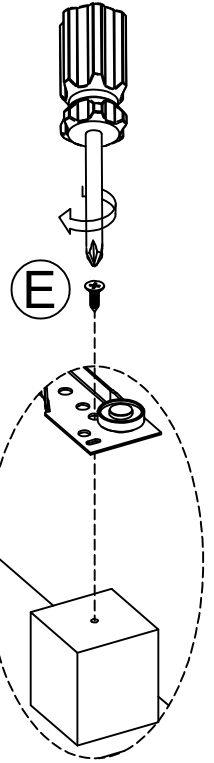
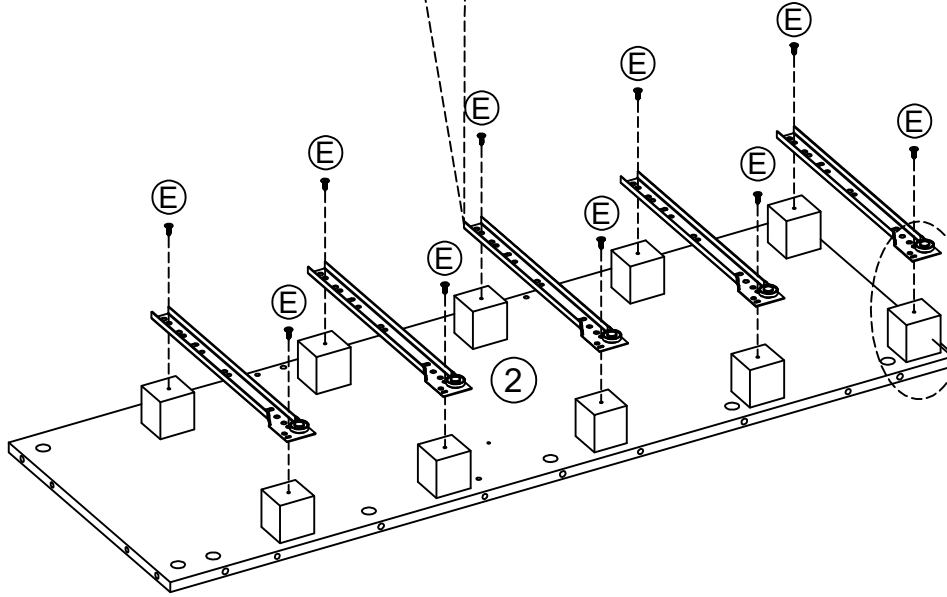
(H)



HX5



Install first rail on the left side of board.



Step 2

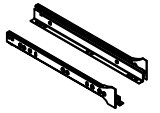
(E)



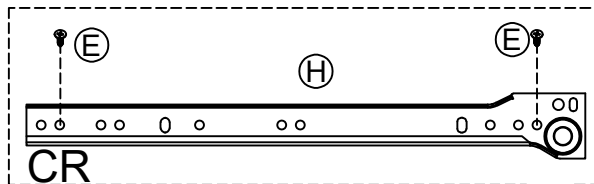
3.5 x 12MM

E x 10

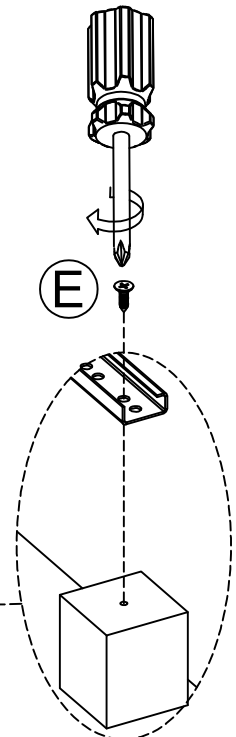
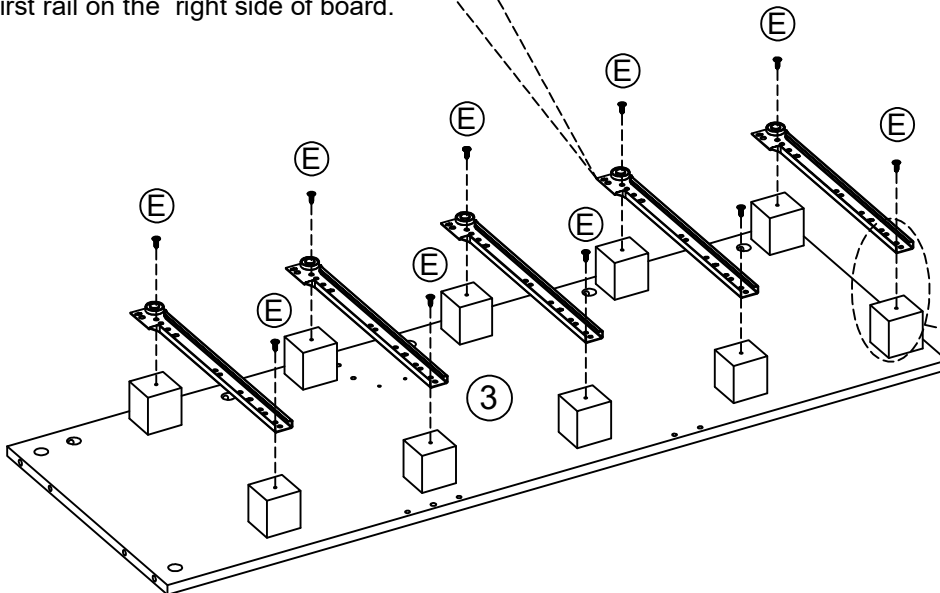
(H)



HX5



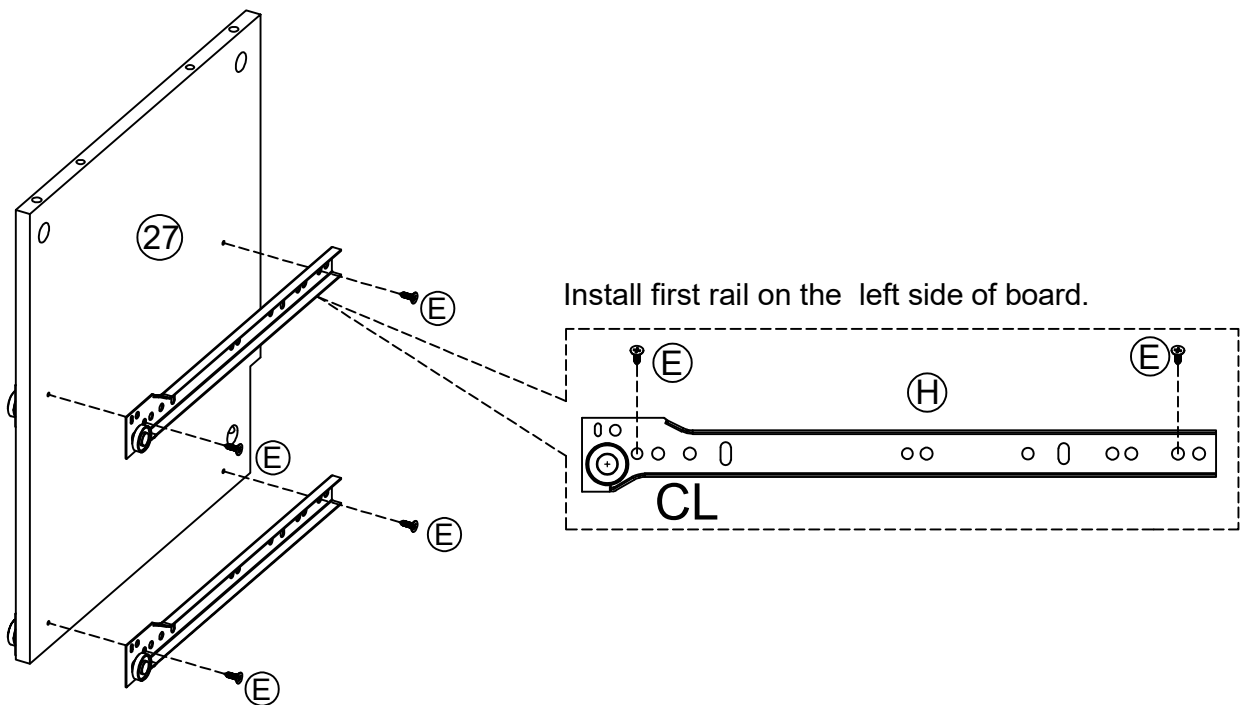
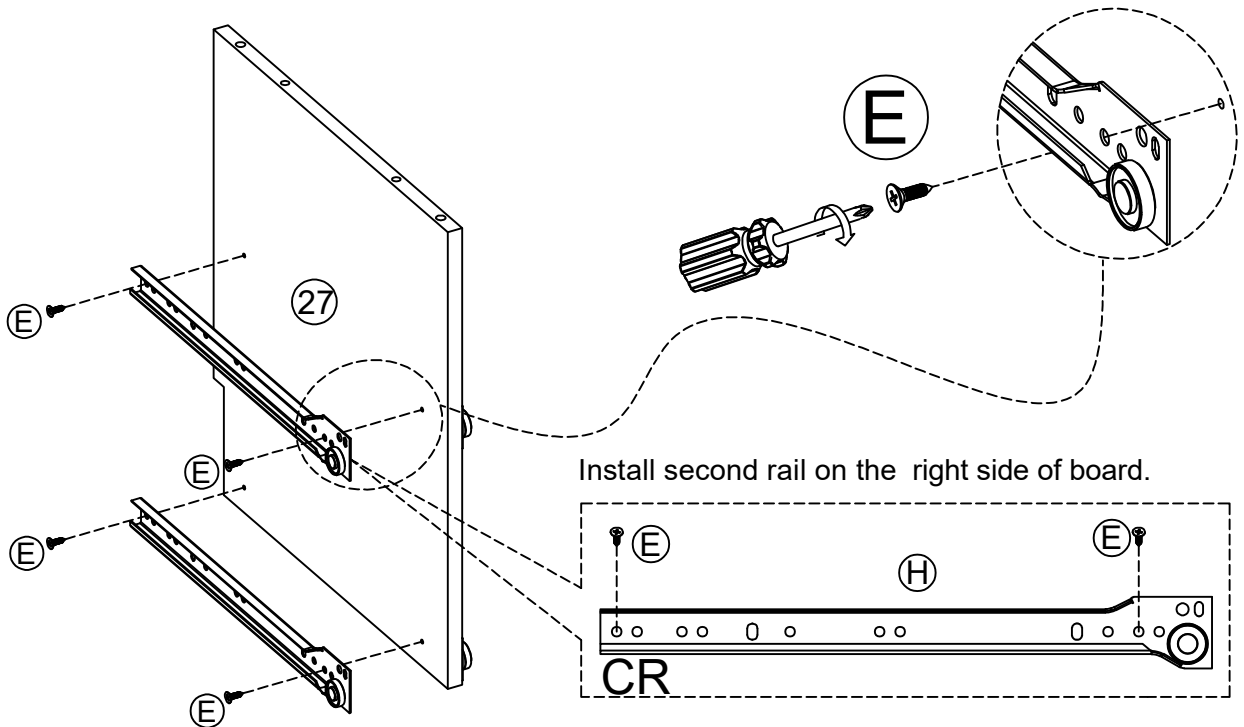
Install first rail on the right side of board.



Step 3

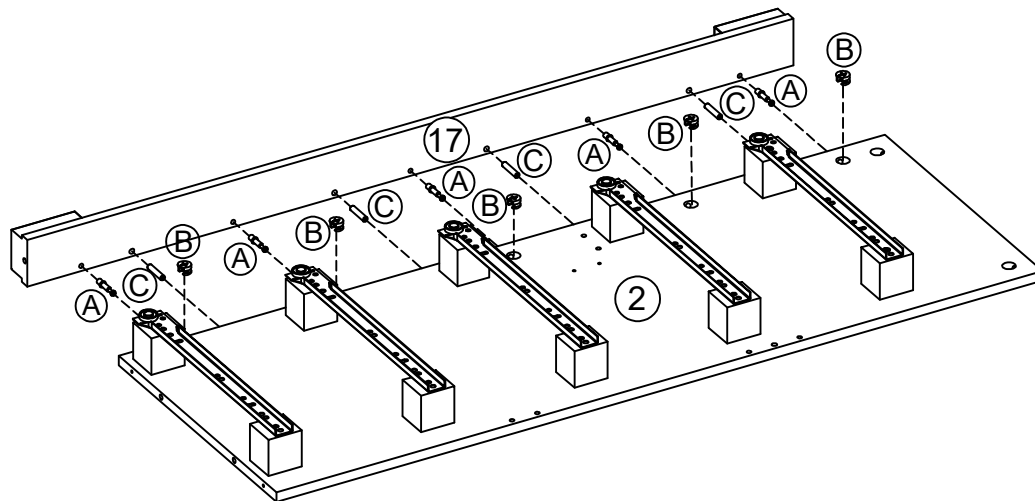
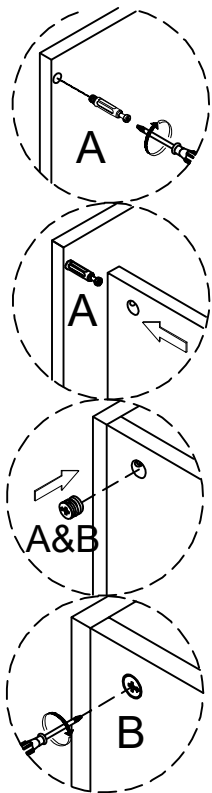
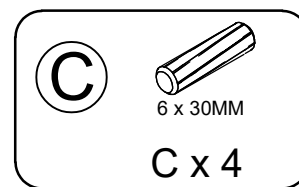
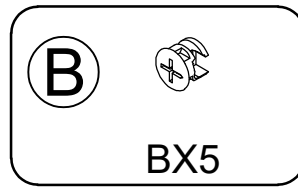
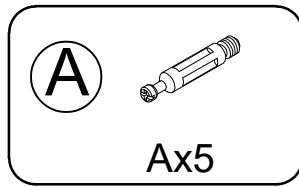
E
3.5 x 12MM
E x 8

H
HX2

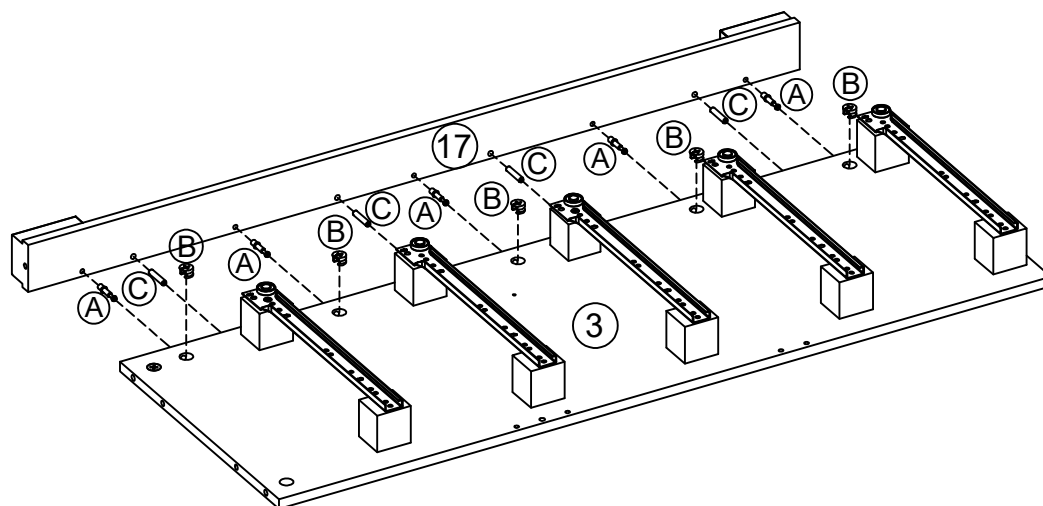
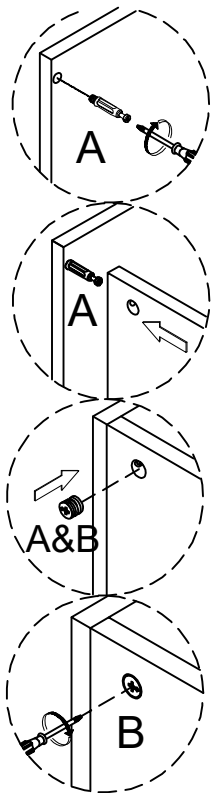
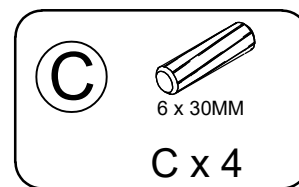
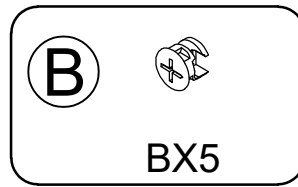
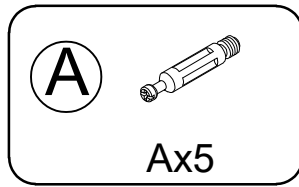


NOTICE: To ensure the stability of the structure, please pay attention to the hole position when locking screws. CL slide should lock on the first hole position near the pulley, CR slide lock on the second hole position near the pulley.

Step 4



Step 5



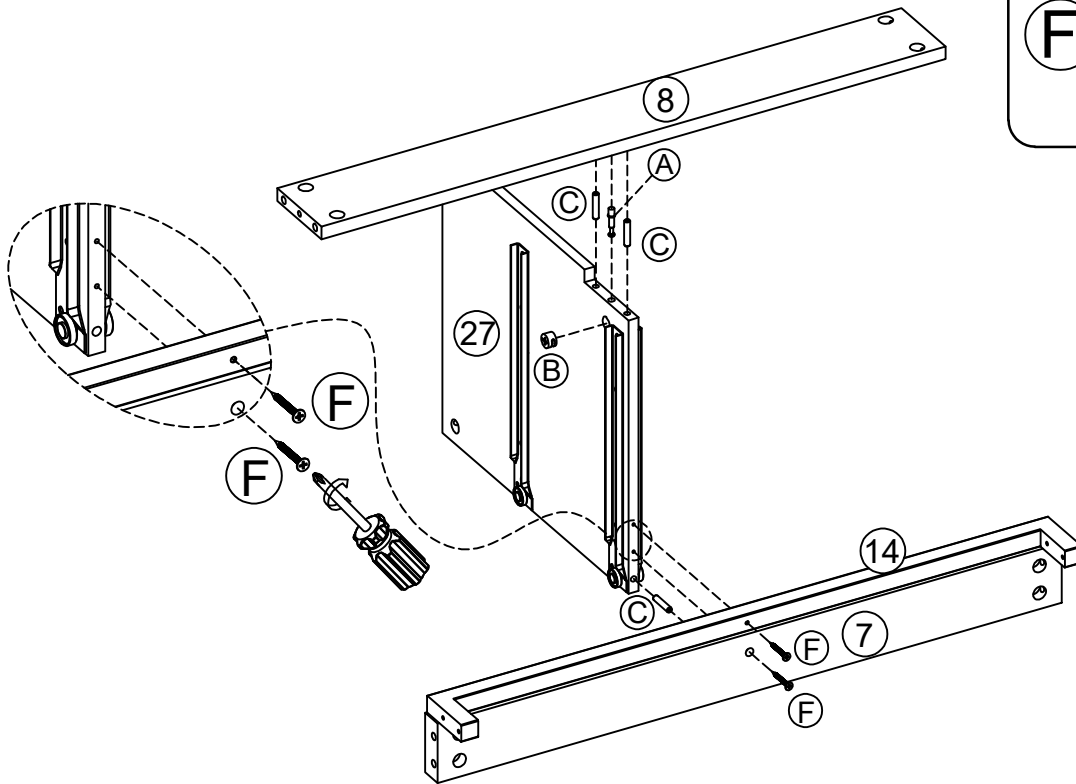
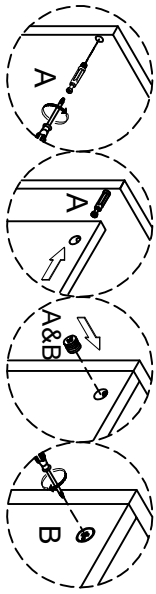
Step 6

A
Ax1

B
BX1

C
6 x 30MM
C x 2

F
3.5 x 35MM
F x 2



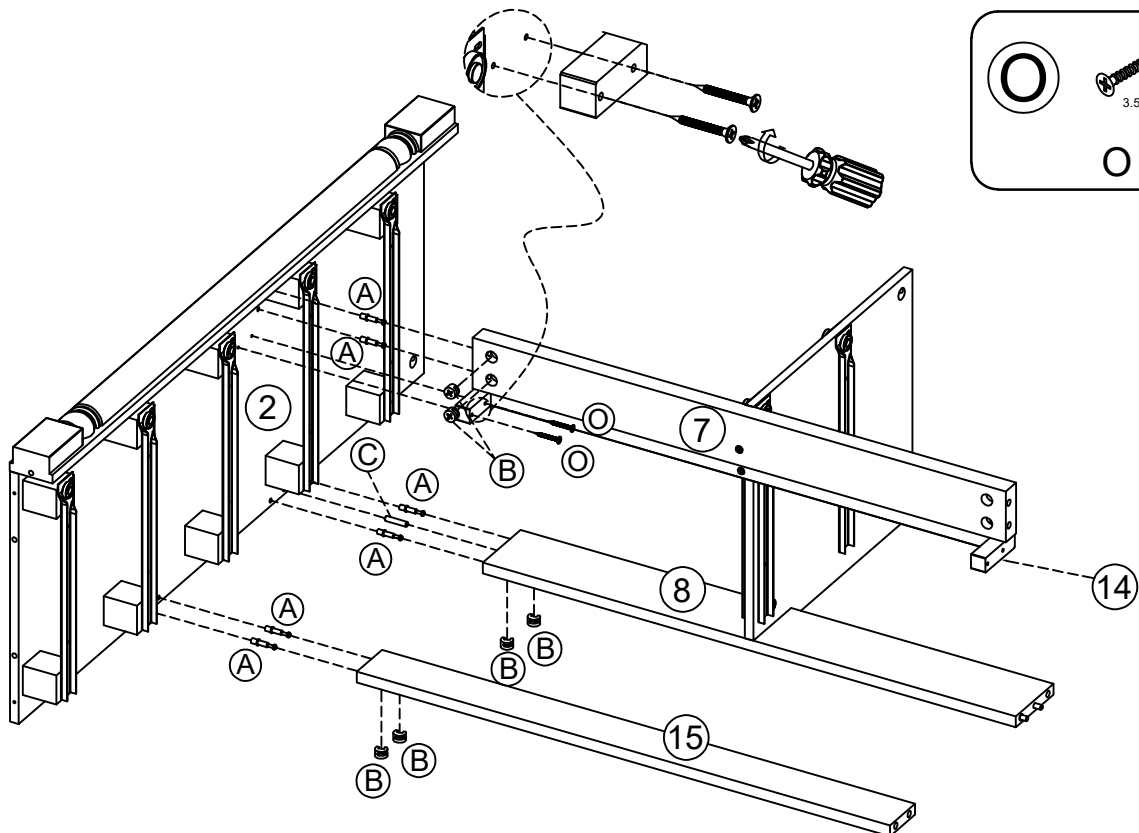
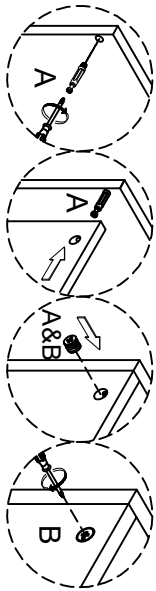
Step 7

A
Ax6

B
BX6

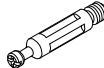
C
6 x 30MM
C x 1

O
3.5 x 30MM
O x 2




Step 8


A
Ax6




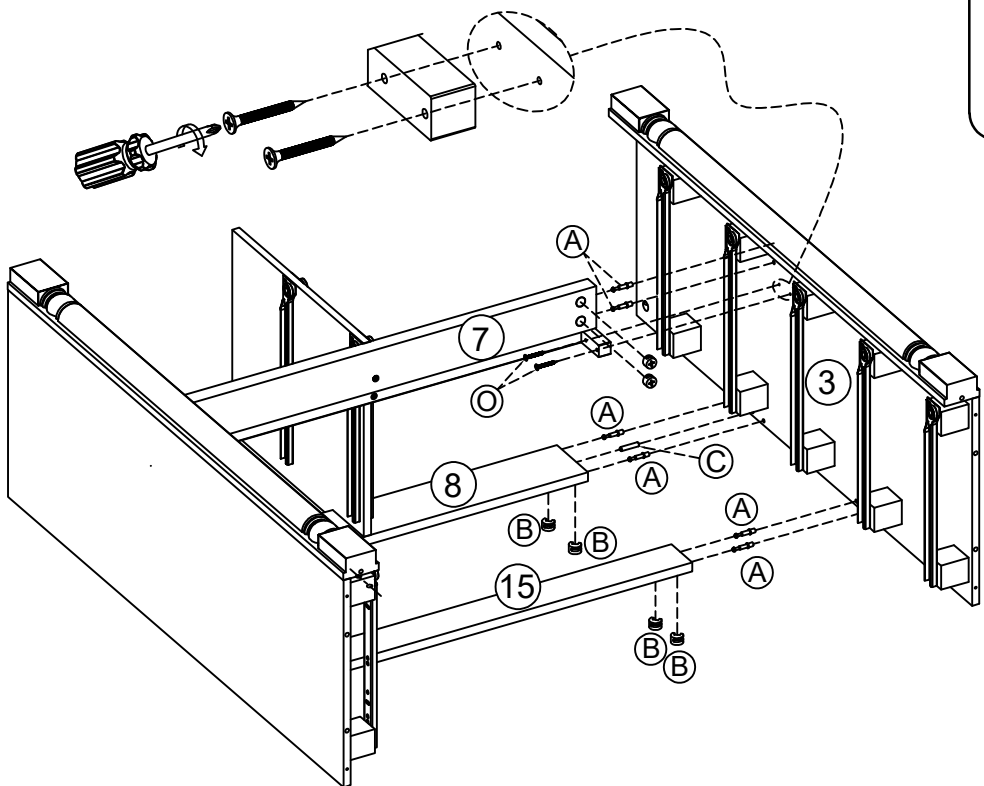
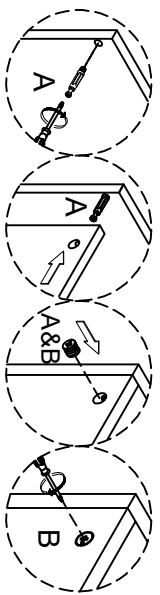
B
BX6



C
6 x 30MM
Cx1




O
3.5 x 30MM
Ox2


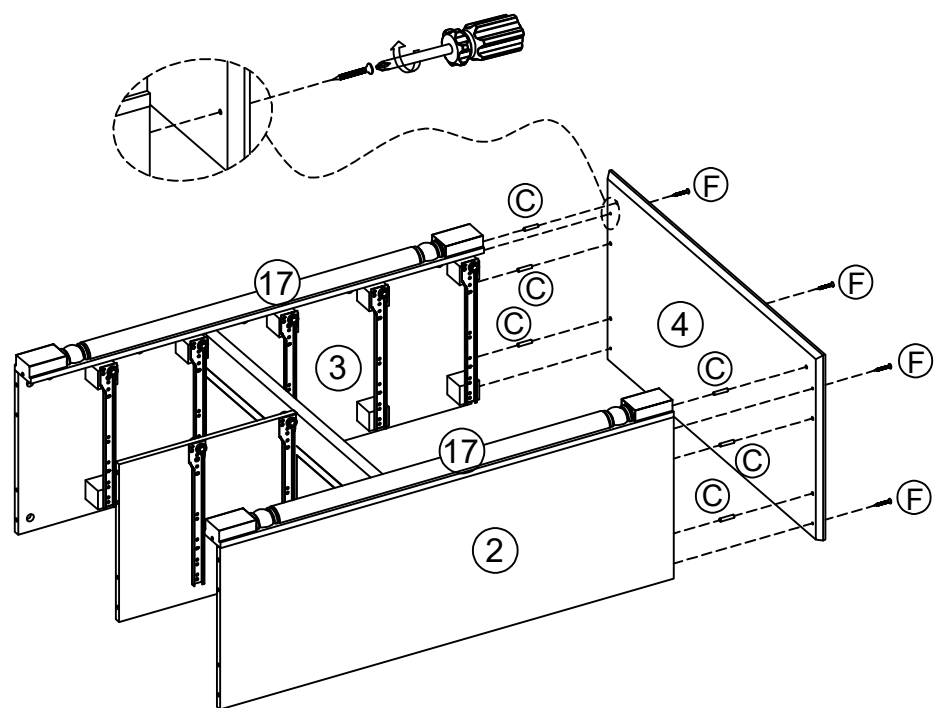
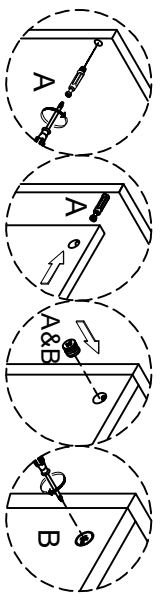



Step 9

C
6 x 30MM
Cx6

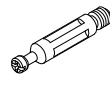


F
3.5 x 35MM
Fx4

Step 10

A

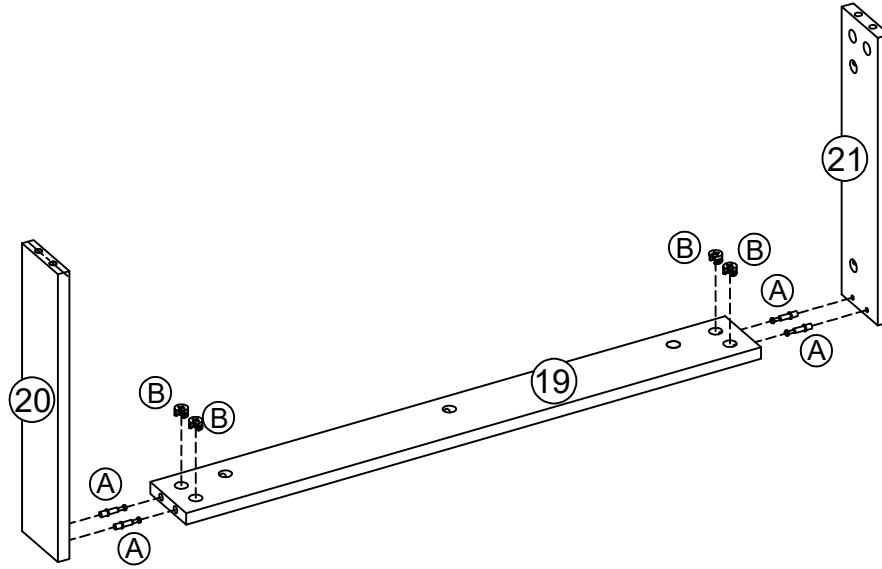
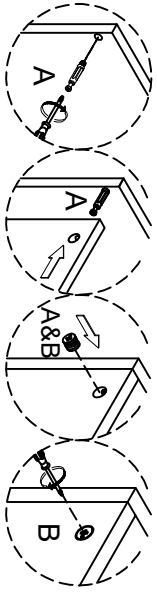


Ax4

B

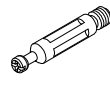


BX4



Step 11

A

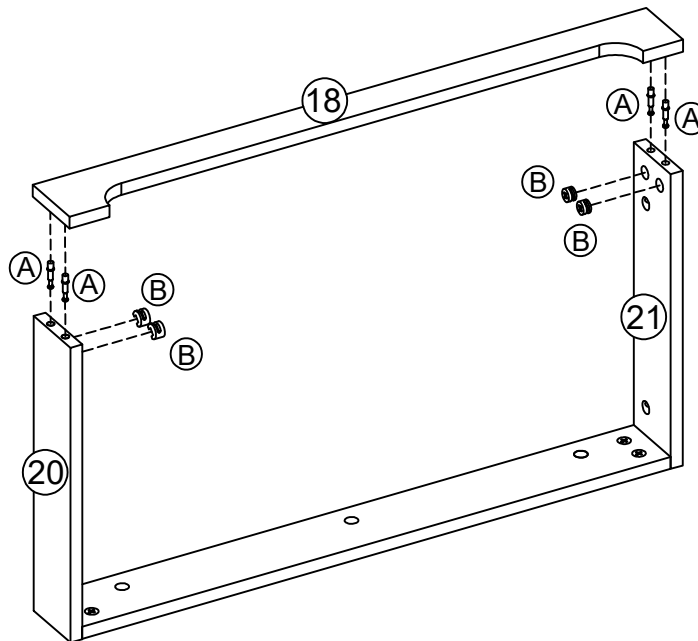
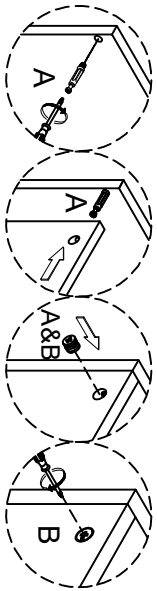


Ax4

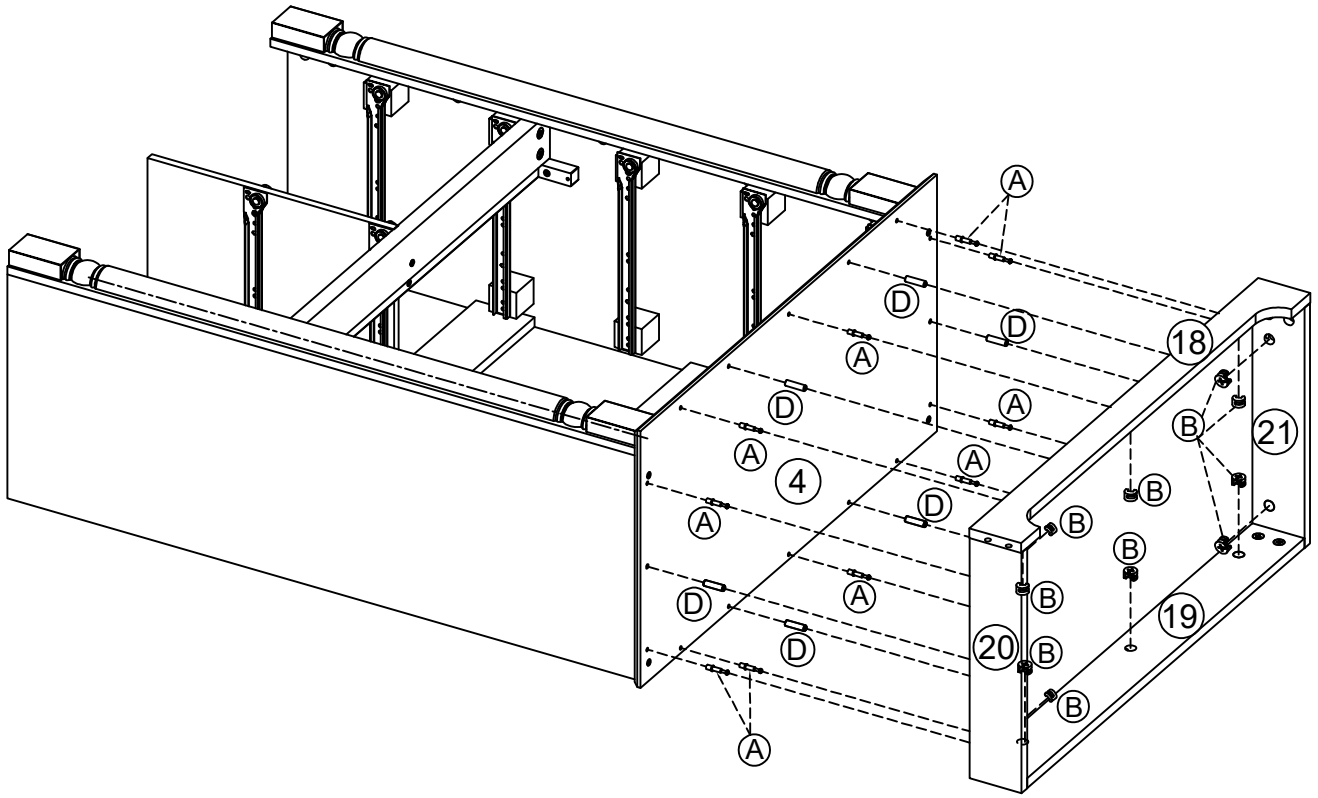
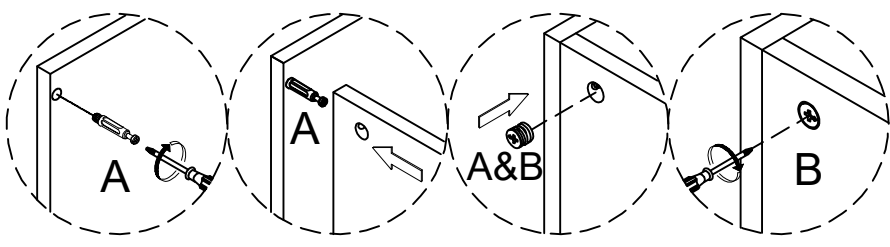
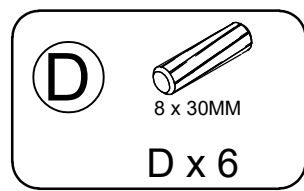
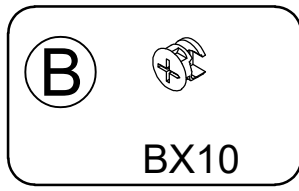
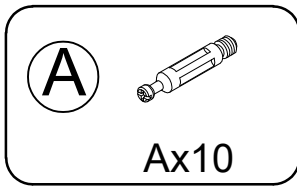
B



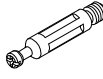
BX4





Step 12

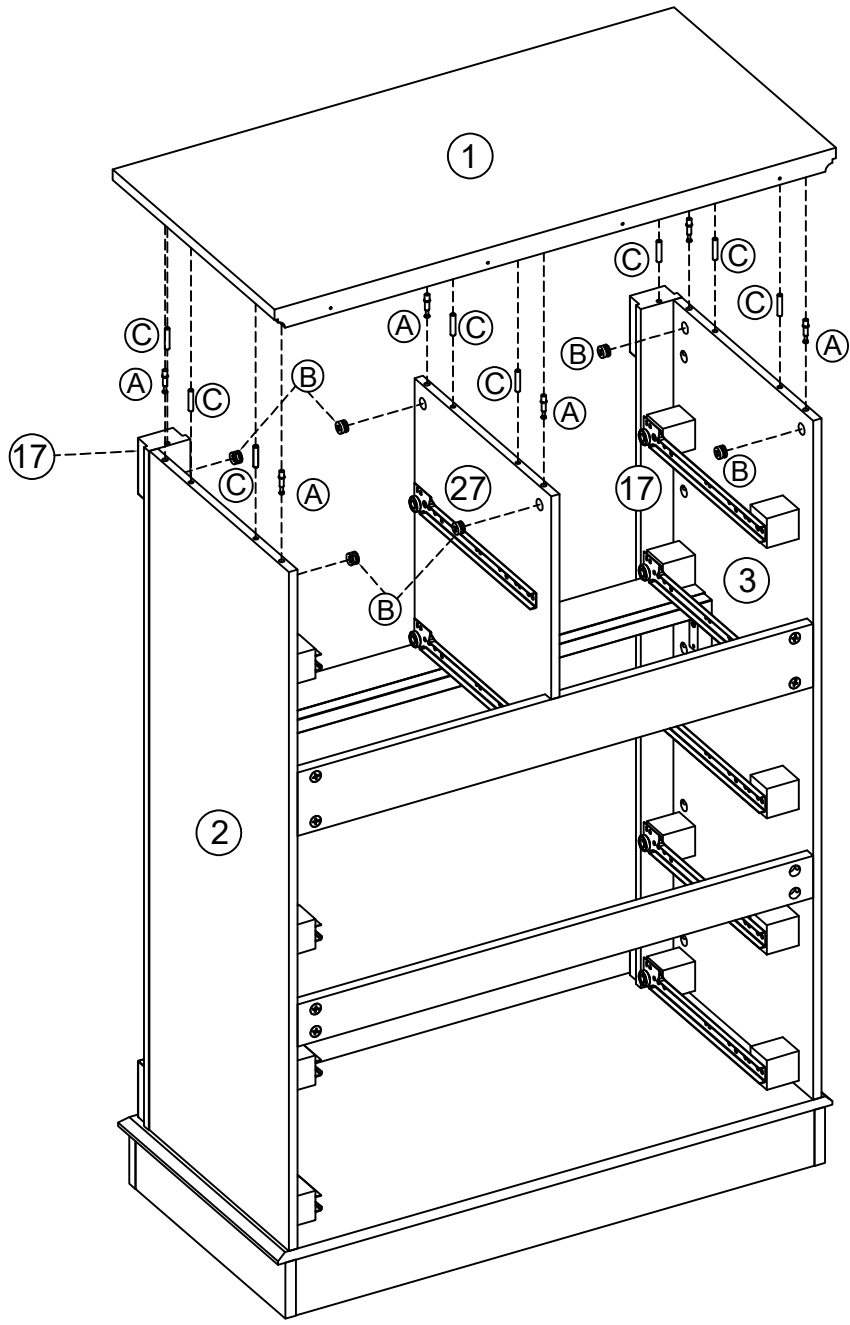
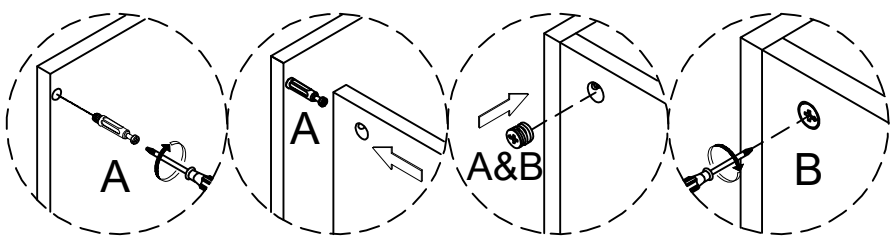


Step 13

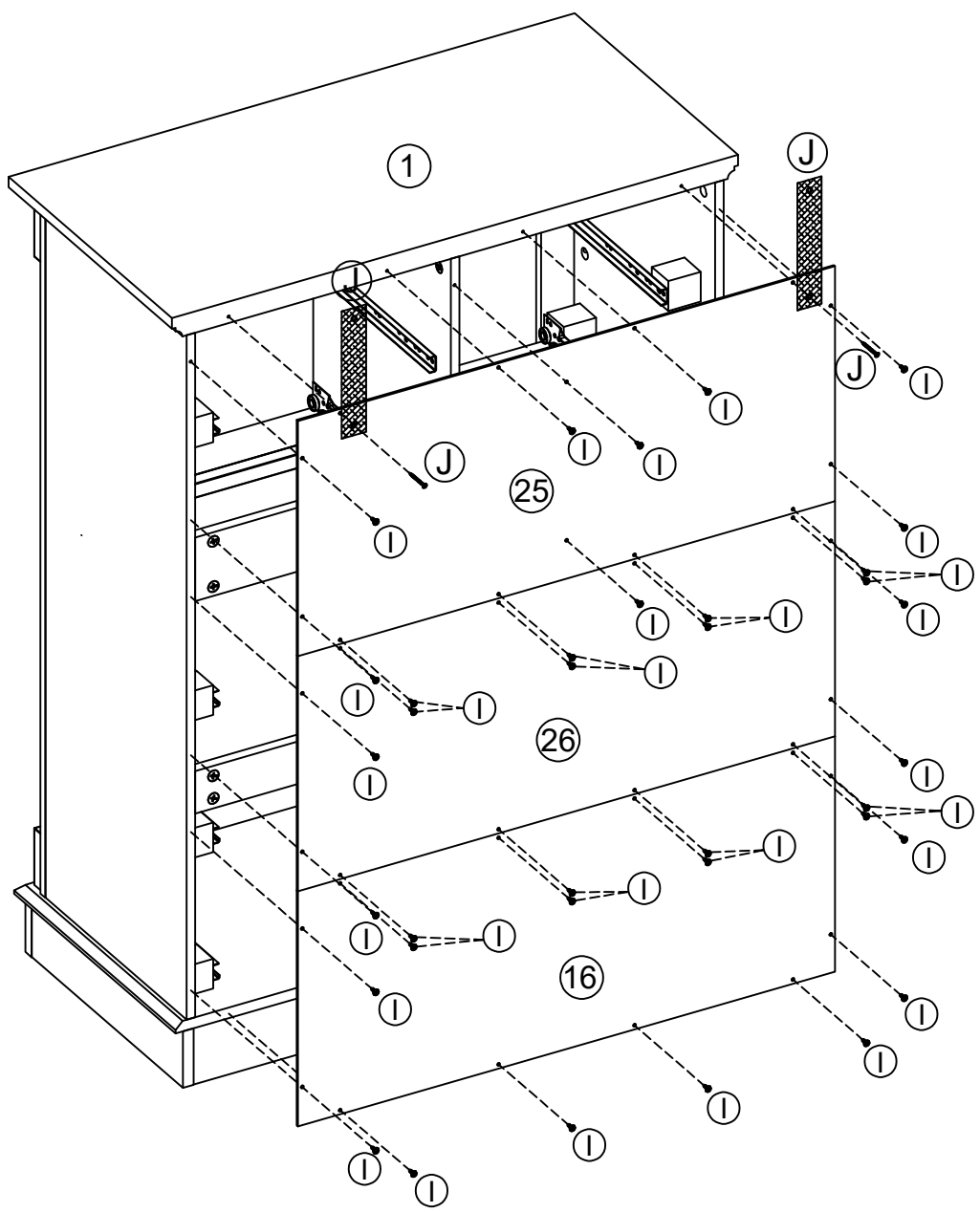
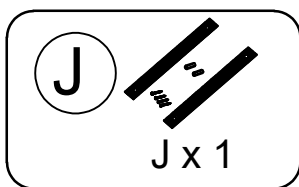
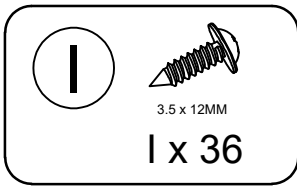
A 
Ax6

B 
BX6

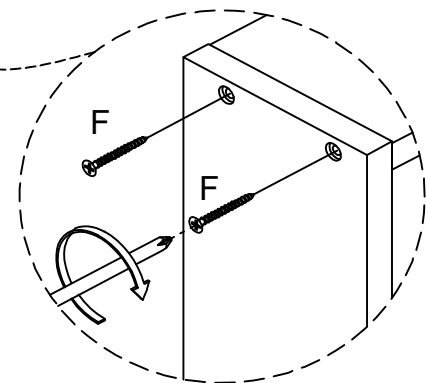
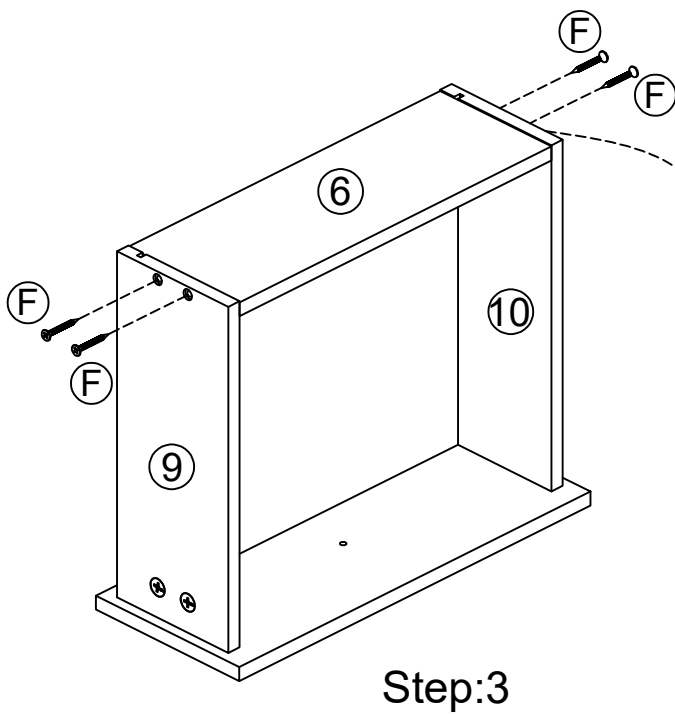
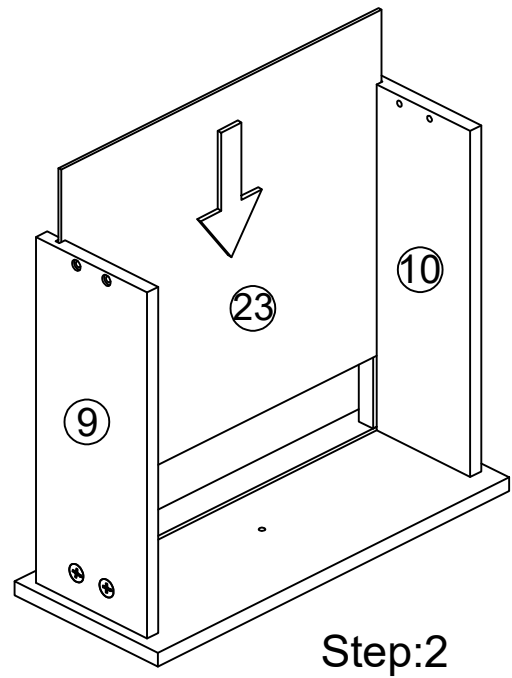
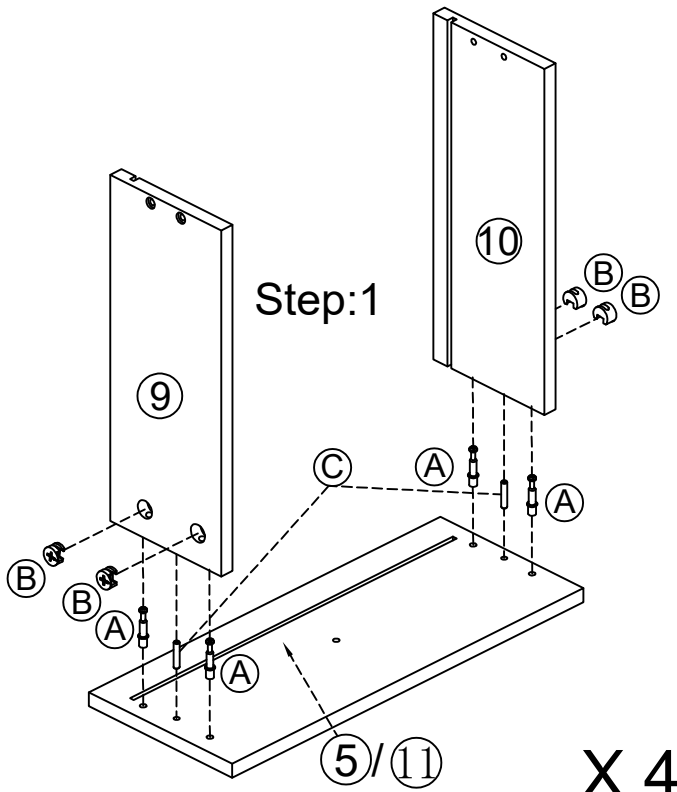
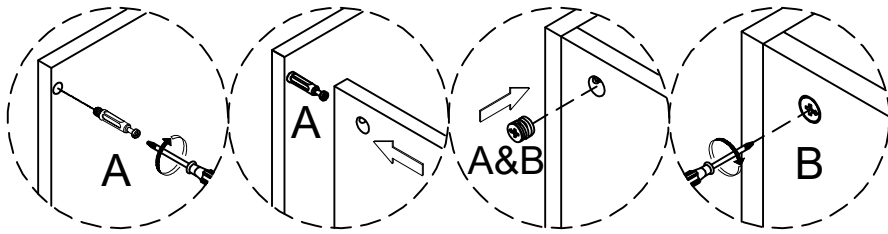
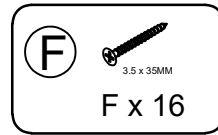
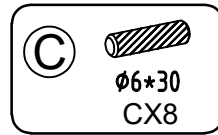
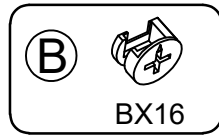
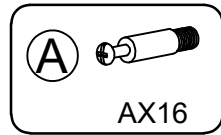
C 
6 x 30MM
Cx8



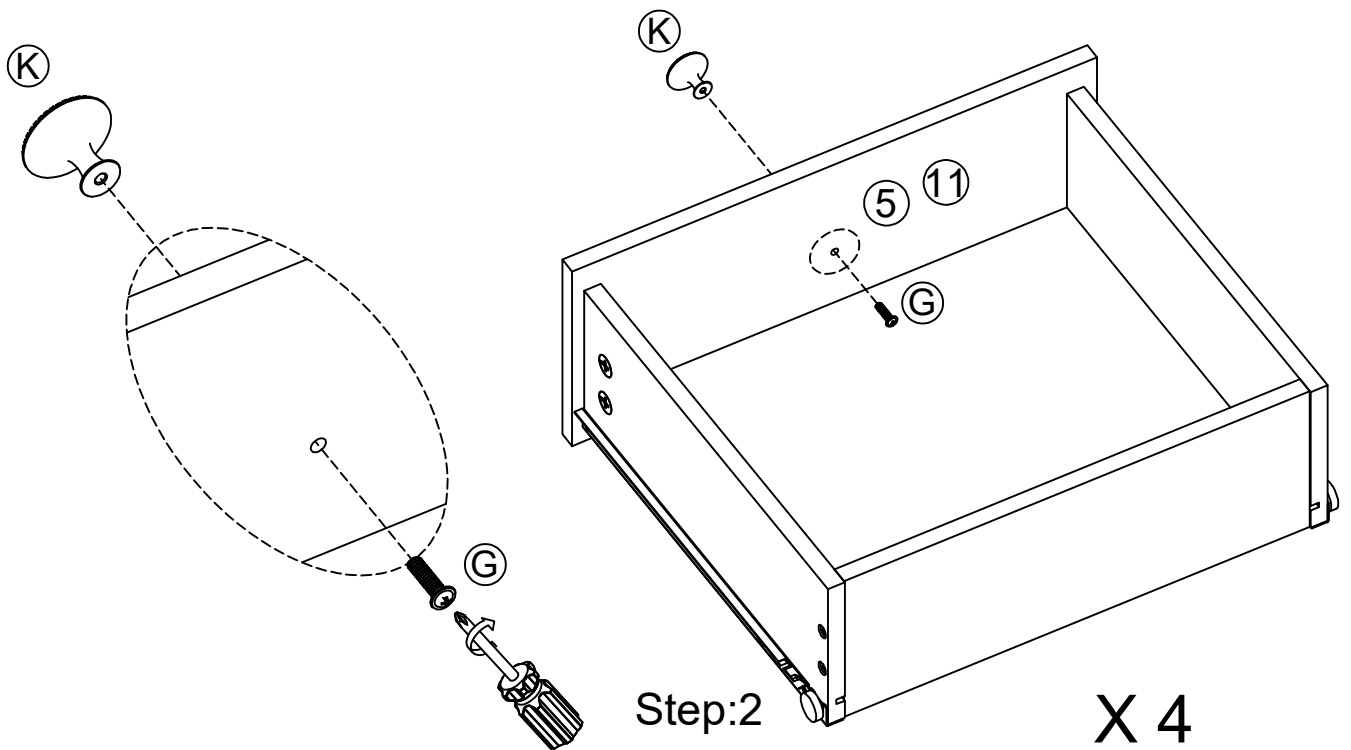
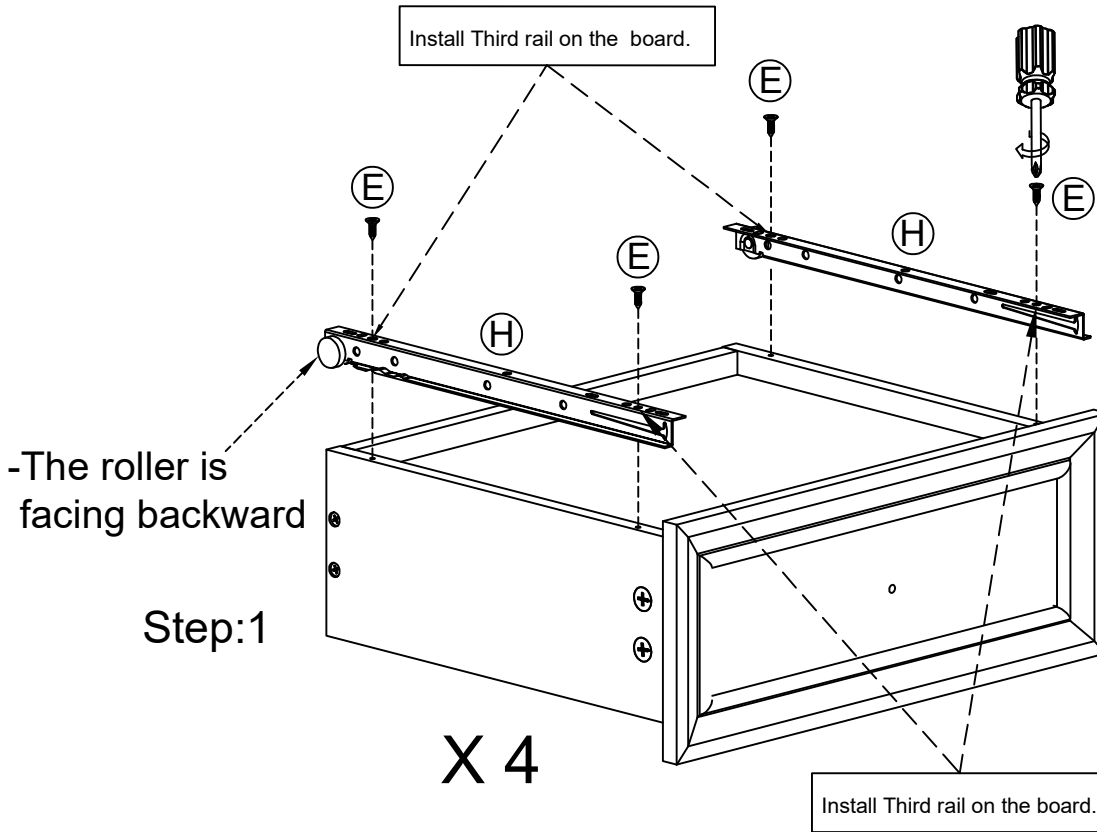
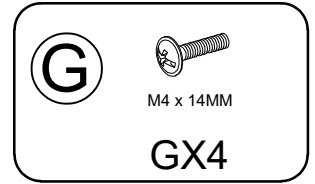
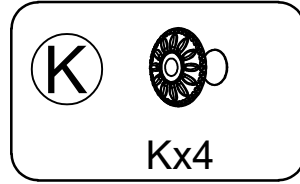
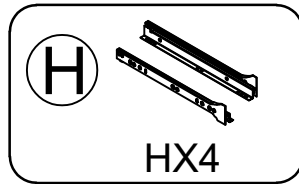
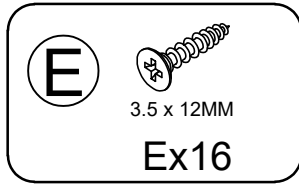
Step 14



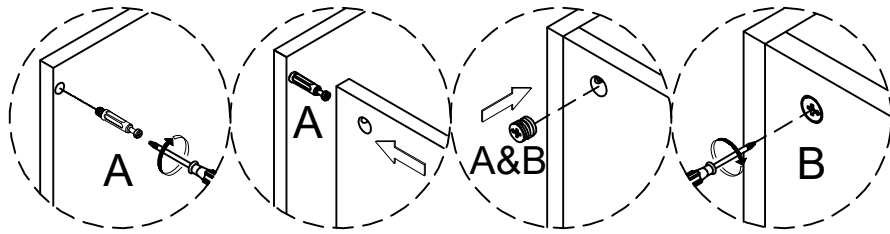
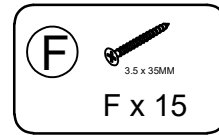
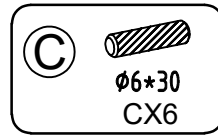
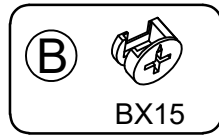
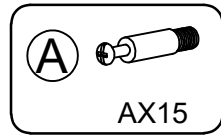
Step 15



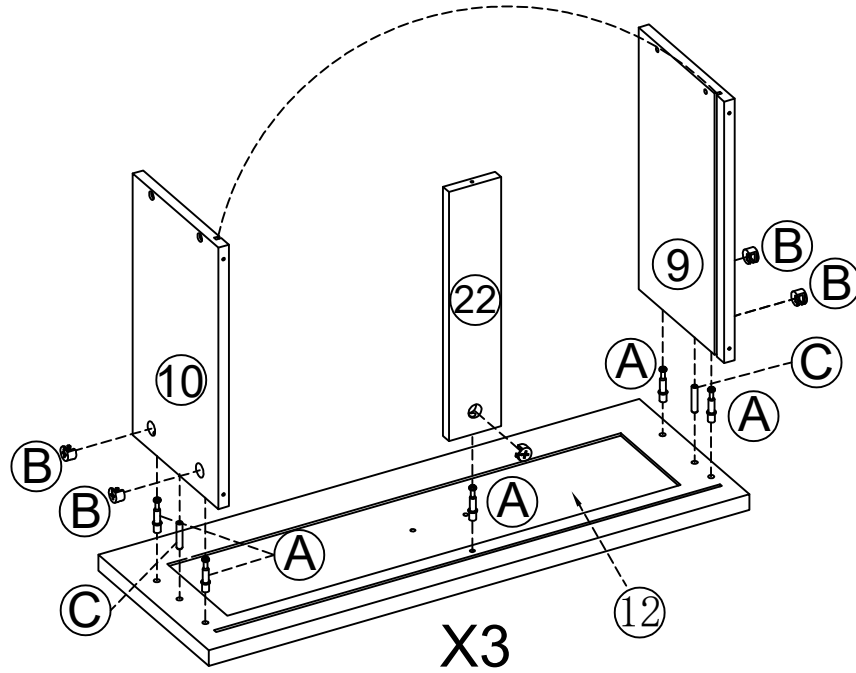
Step 16



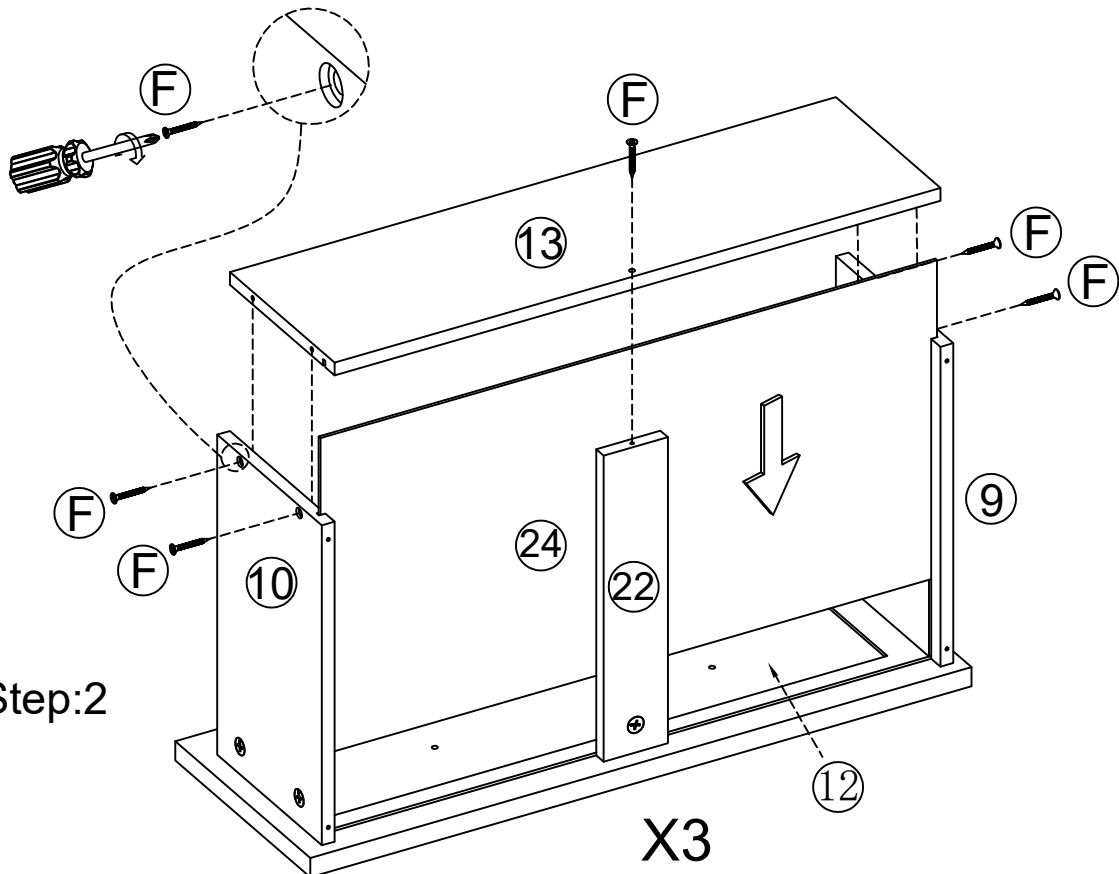
Step 17




Step:1





Step:2

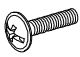


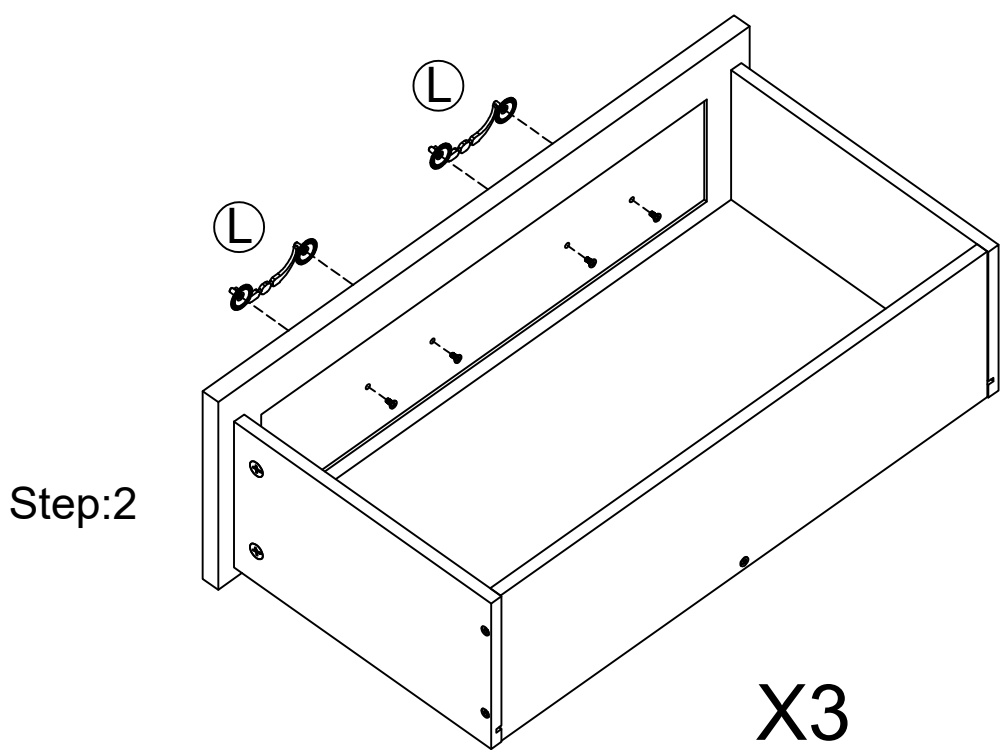
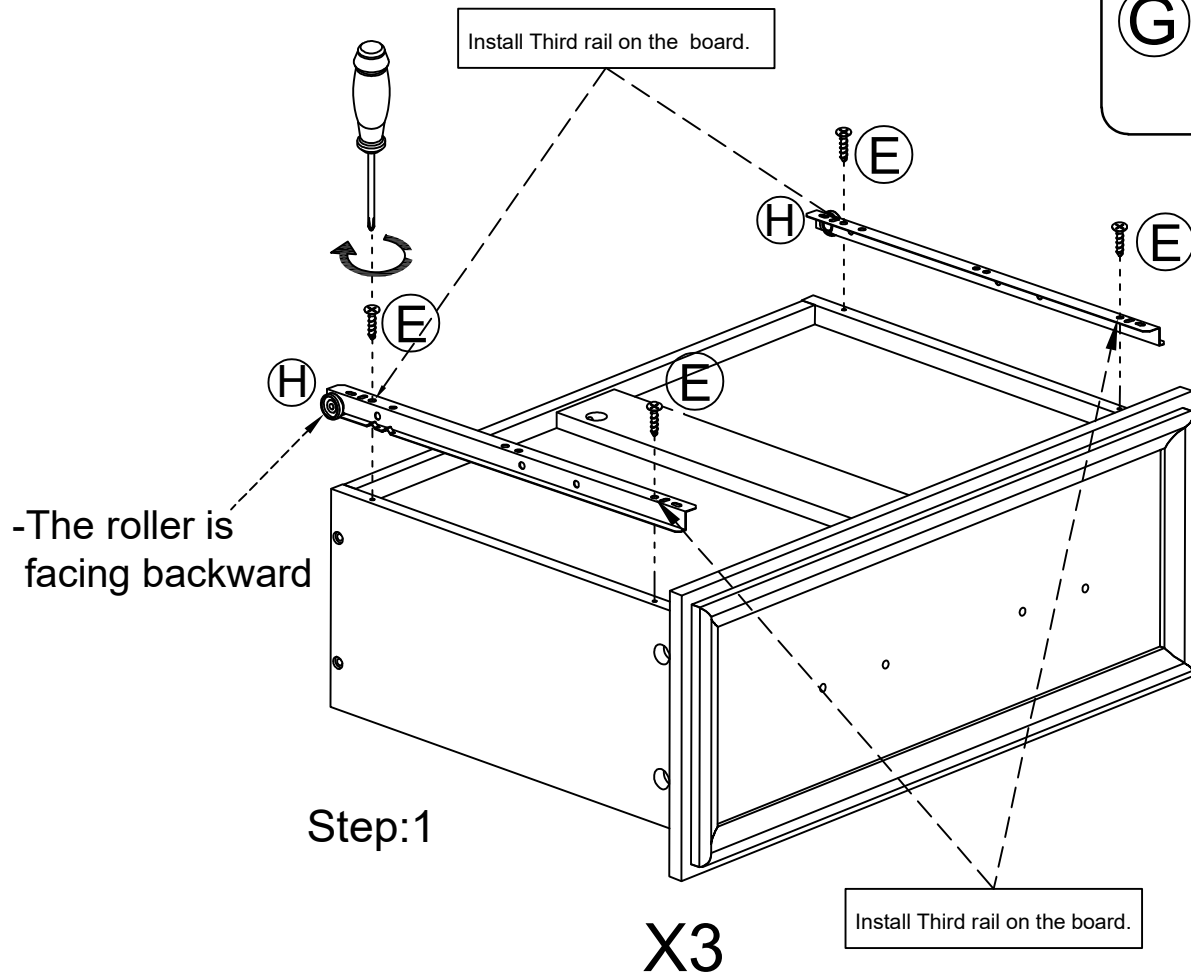
Step 18

E 
Ø3.5*12mm
EX12

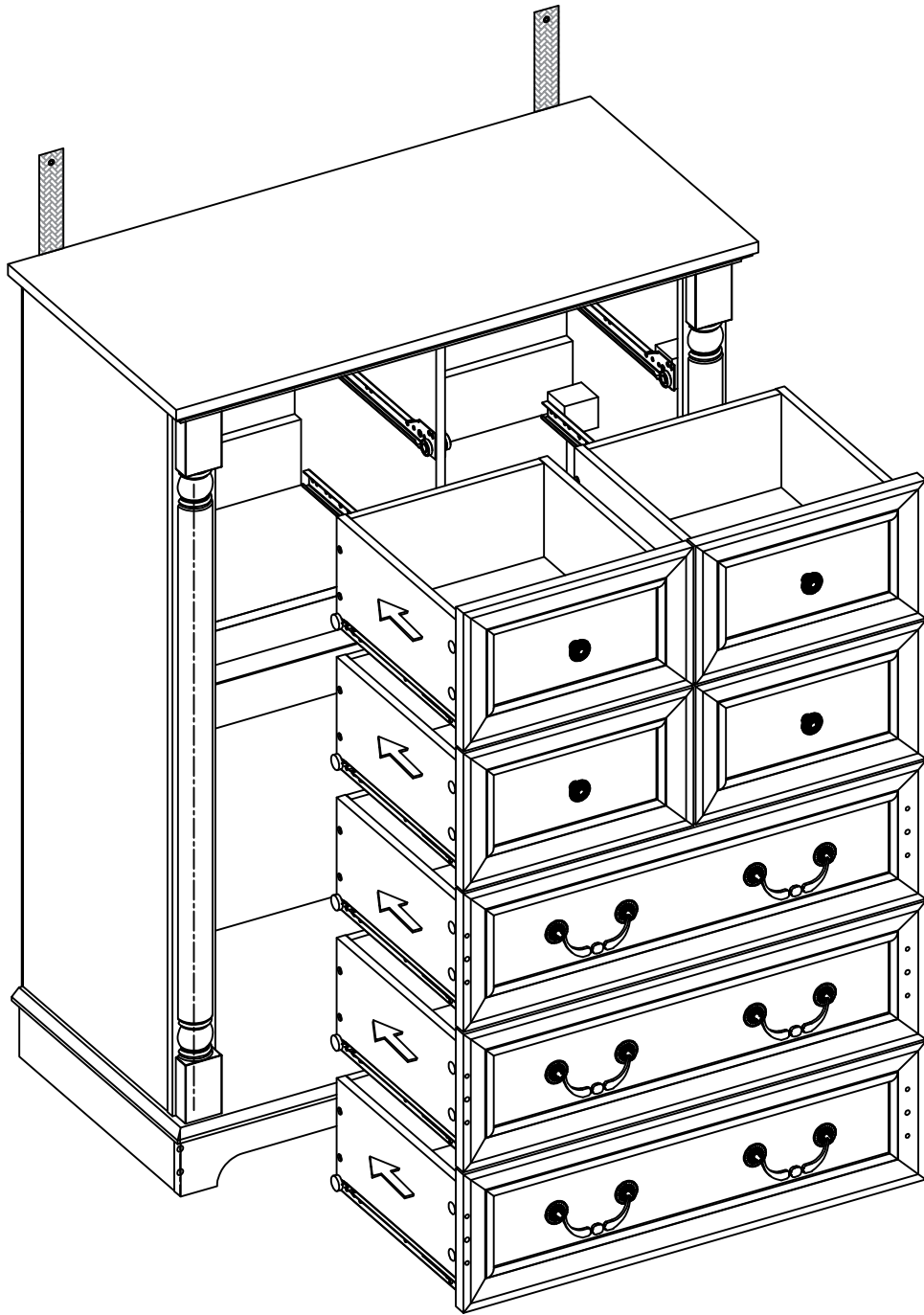
H 
HX3

L 
L x 6sets

G 
M4 x 14MM
GX12

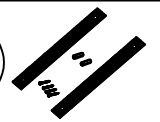


Step 19



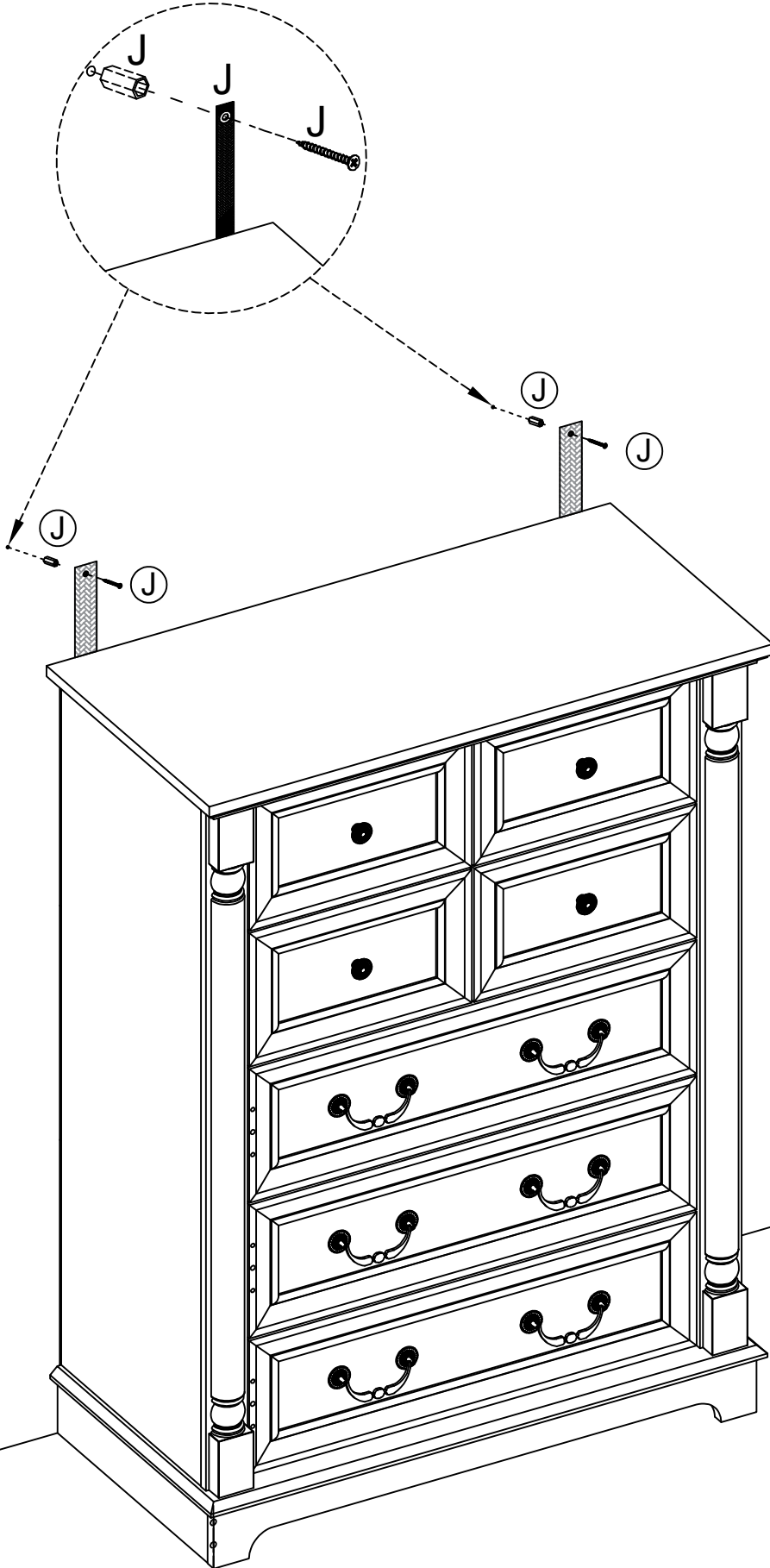
Step 20

J



J x 1

WALL



WALL