

Assembly Instructions

ITEM NO. D1701-32S

GIA 30" COUNTER W/2 CHAIRS & SHELF


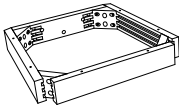






Thank you for purchasing this quality product. Be sure to check all packing materials carefully for small parts, which may have come loose inside the carton during shipment. Identify and count all items and compare with the PARTS LIST and/or HARDWARE LIST shown below.



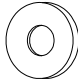


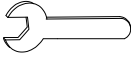
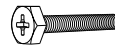


Please read the instructions thoroughly before assembly.

1. We recommend that you assemble this product with the assistance of another person; this will make the assembly easier, and will help eliminate damage to the product or injury to persons during assembly.
2. Please do not tighten screws or bolts until the assembly is completed.
3. To level the chairs or table, before tightening all the screws, the chair or table must be placed on a flat surface and then tighten the screws.
4. Please put all parts on a non-abrasive floor before assembly and follow the assembly steps to assemble your newly purchased product correctly and efficiently.

PARTS LIST

NO.	COMPONENT	SKETCH	QTY.
A	CHAIR BACK		2 PCS
B	SEAT FRAME		2 PCS
C	CUSHION SEAT		2 PCS
D1	FRONT LEG (RSF) RIGHT SIDE FACING		2 PCS
D2	FRONT LEG (LSF) LEFT SIDE FACING		2 PCS
E1	SIDE STRETCHER (RSF) RIGHT SIDE FACING		2 PCS
E2	SIDE STRETCHER (LSF) LEFT SIDE FACING		2 PCS
F	FRONT STRETCHER		2 PCS

HARDWARE LIST

NO.	COMPONENT	SKETCH	QTY.
1	FLAT WASHER 5/16" DIA.		22 PCS
2	SPRING WASHER 5/16" DIA.		22 PCS
3	NUT 5/16" DIA.		8 PCS
4	ALLEN WRENCH 5/16" DIA.		1 PC
5	SHORT BOLT 1/4" x 1 9/16"		6 PCS
6	LONG BOLT 1/4" x 3"		8 PCS
7	WOOD SCREW #8 x 1 1/2"		24 PCS

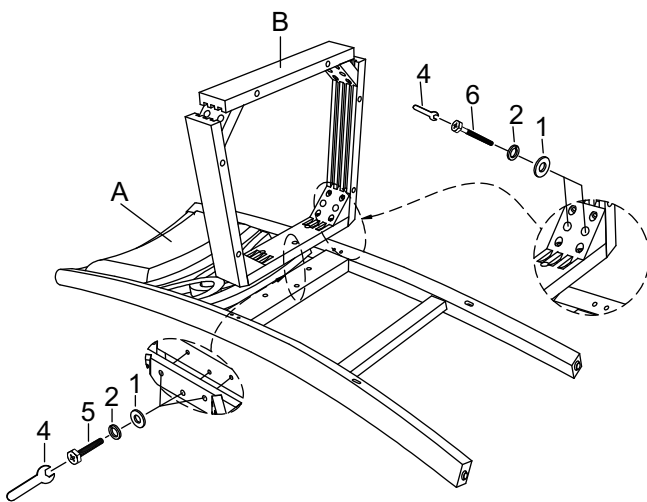
Assembly Instructions

ITEM NO. D1701-32S
GIA 30" COUNTER W/2 CHAIRS & SHELF

To assemble the chairs, please follow the following steps and repeat for each chair:

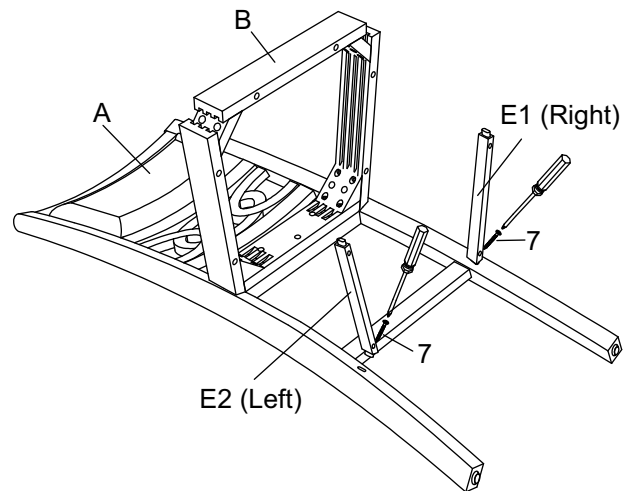
STEP 1

Lay the chair back on soft clean surface and install the seat frame.



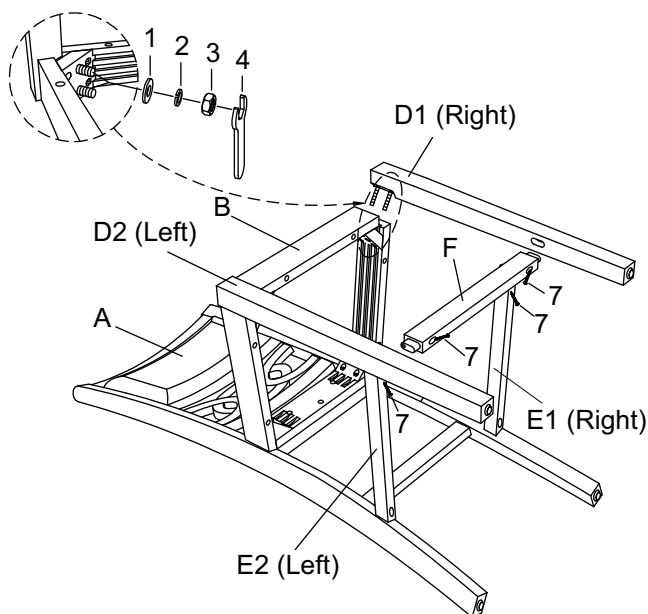
STEP 2

Insert side stretchers with wood screws.



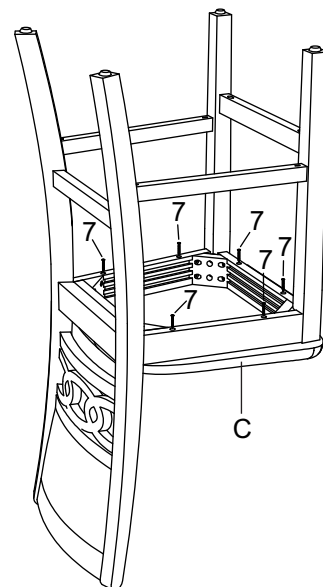
STEP 3

Install front stretcher into the holes of the front legs then attached to the seat frame.



STEP 4

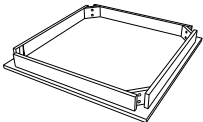

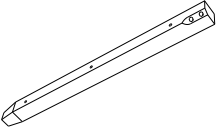
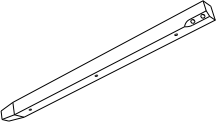
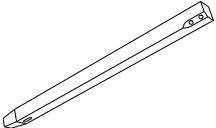
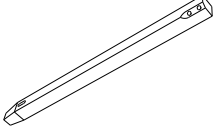
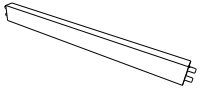
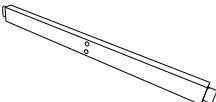
Place the assembled seat frame on the cushion seat and attach with wood screws.



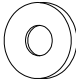

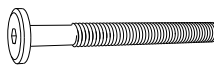



Assembly Instructions

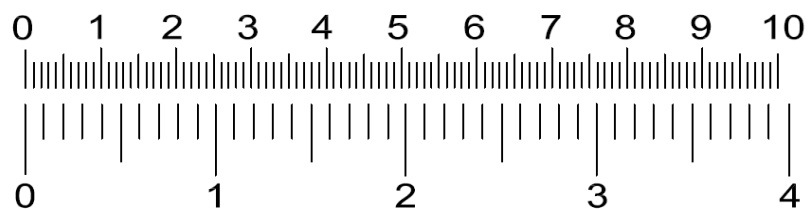
ITEM NO. D1701-32S
GIA 30" COUNTER W/2 CHAIRS & SHELF

PARTS LIST

NO.	COMPONENT	SKETCH	QTY.
G	TABLE TOP		1 PC
H	BOX PANEL		1 PC
I1	FRONT LEG (LSF) LEFT SIDE FACING		1 PC
I2	FRONT LEG (RSF) RIGHT SIDE FACING		1 PC
J1	BACK LEG (LSF) LEFT SIDE FACING		1 PC
J2	BACK LEG (RSF) RIGHT SIDE FACING		1 PC
K	INNER STRETCHER		1 PC
L	OUTER STRETCHER		1 PC

HARDWARE LIST

NO.	COMPONENT	SKETCH	QTY.
8	FLAT WASHER 5/16" DIA.		8 PCS
9	SPRING WASHER 5/16" DIA.		8 PCS
10	LONG BOLT 1/4" x 63 MM		8 PCS
11	SHORT BOLT 1/4" x 35 MM		6 PCS
12	ALLEN KEY 4 MM		1 PC
13	WOOD SCREW #8 x 38 MM		4 PCS

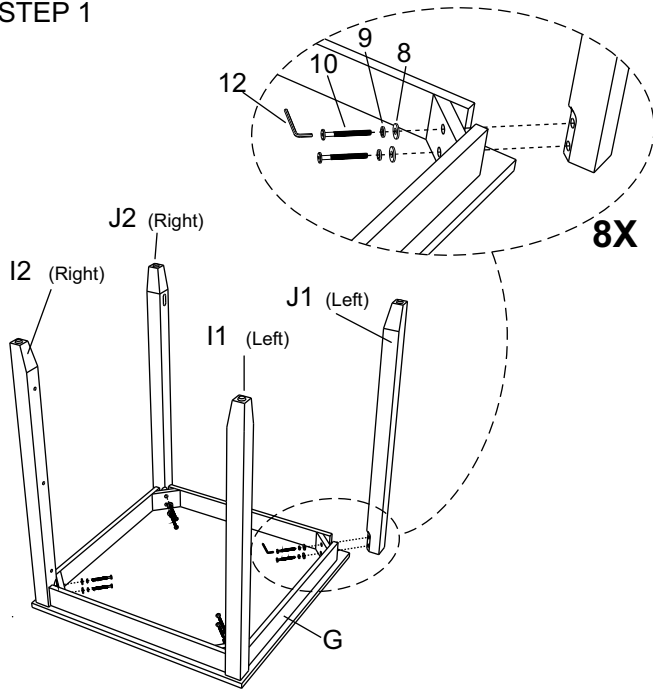


Assembly Instructions

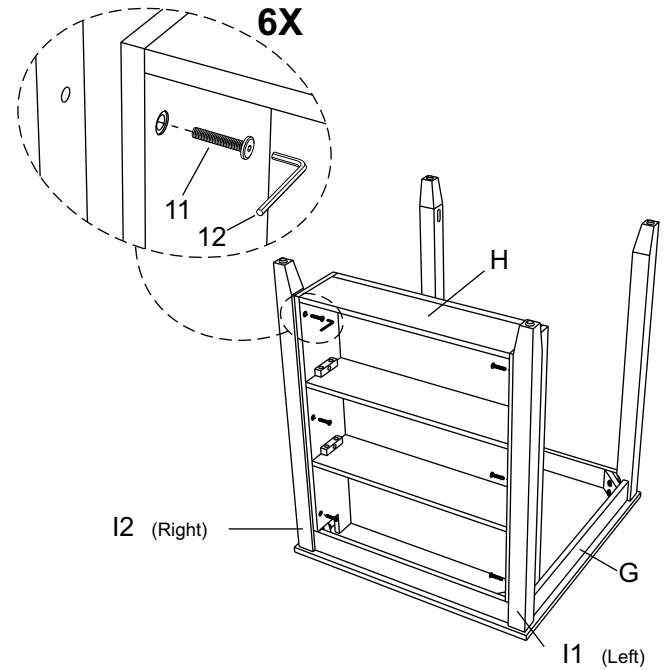
ITEM NO. D1701-32S
GIA 30" COUNTER W/2 CHAIRS & SHELF

To assemble the table, please follow the following steps:

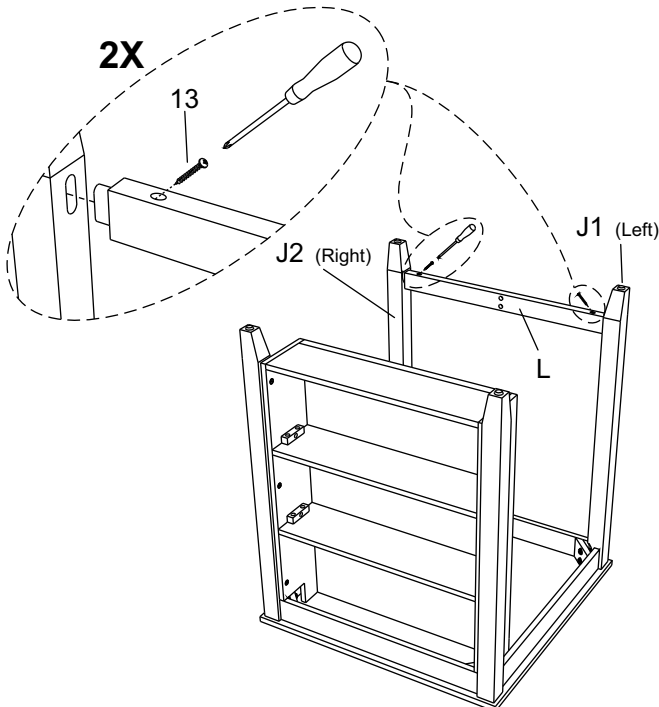
STEP 1



STEP 2



STEP 3



STEP 4

