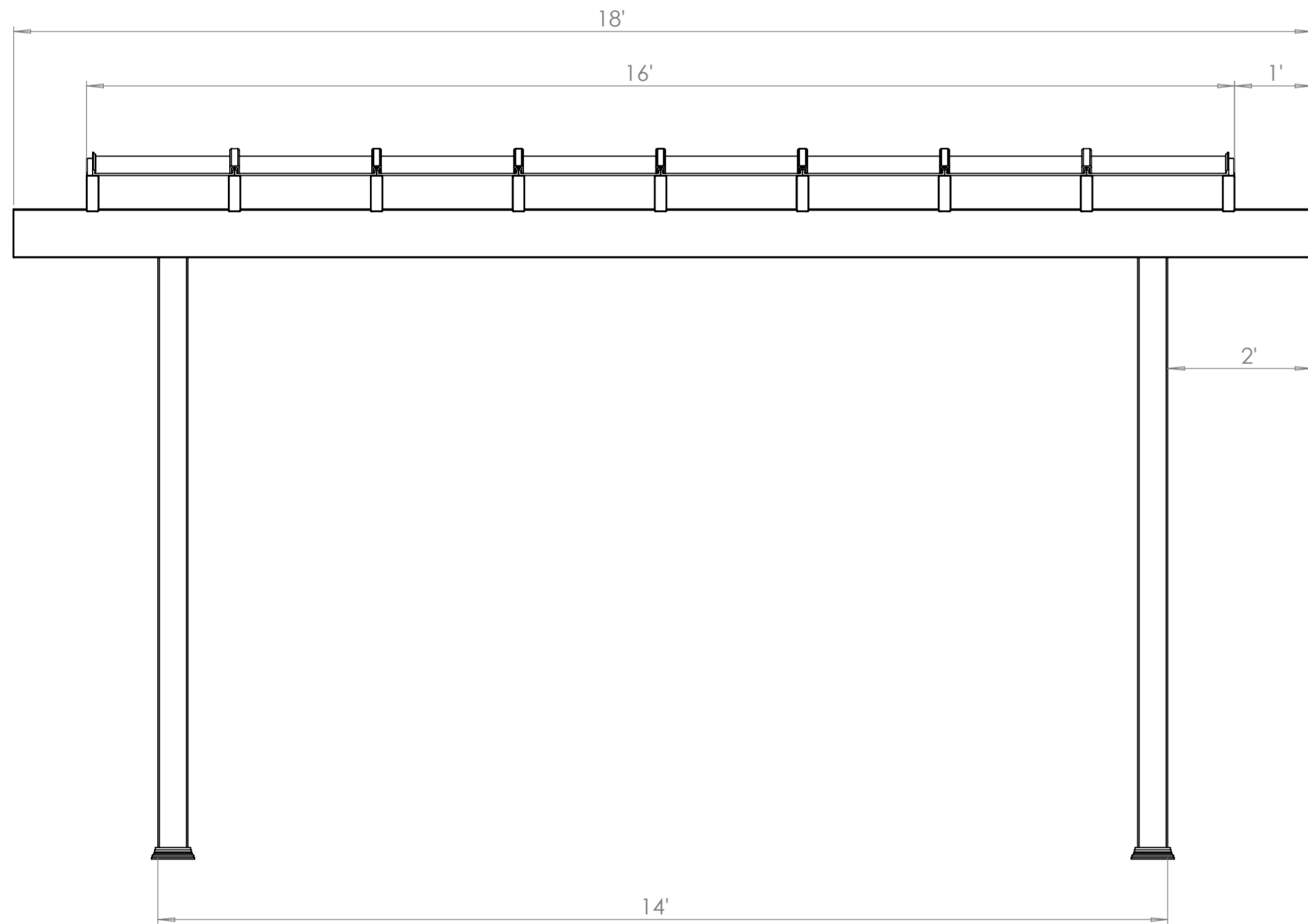
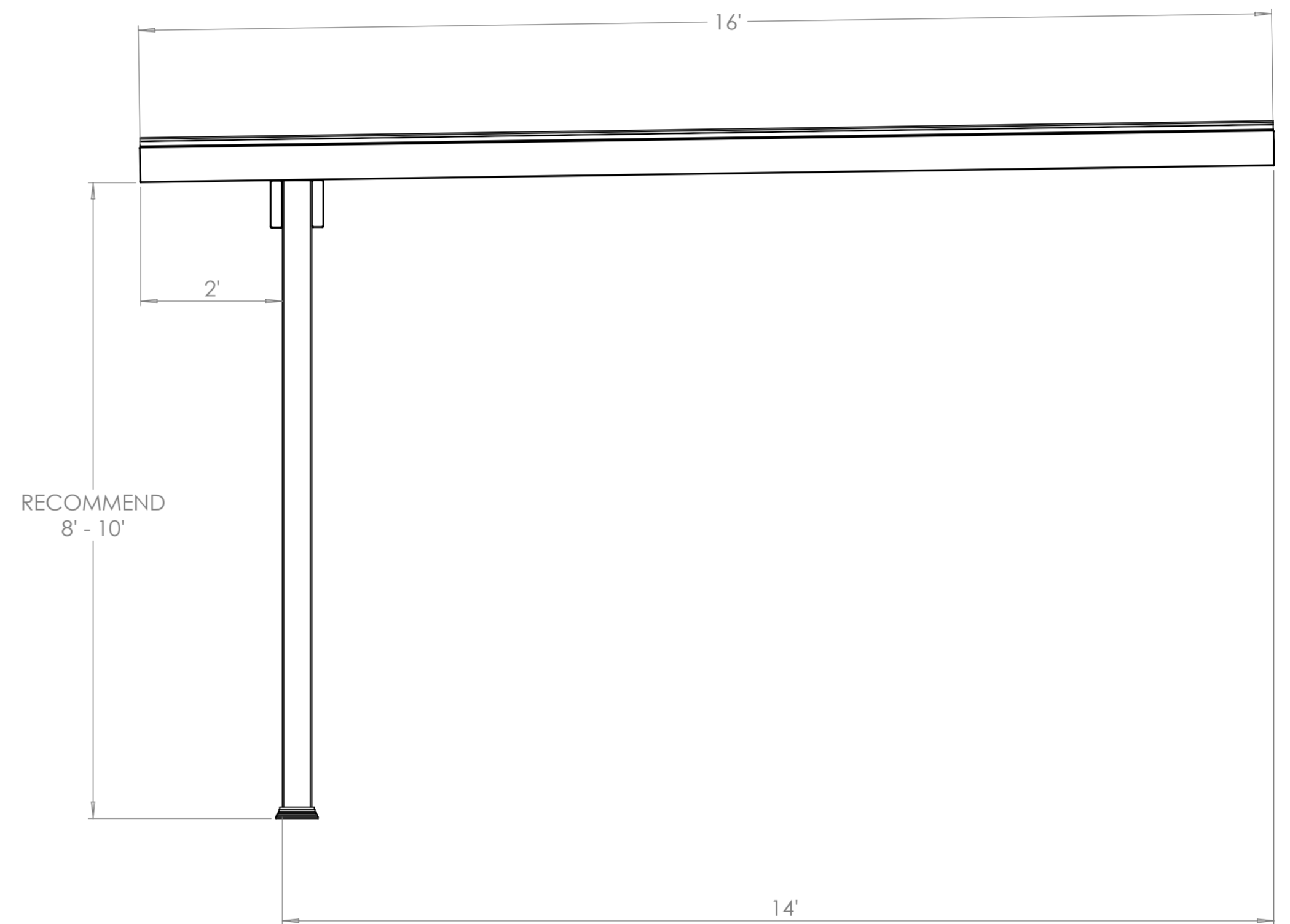


FRONT ELEVATION

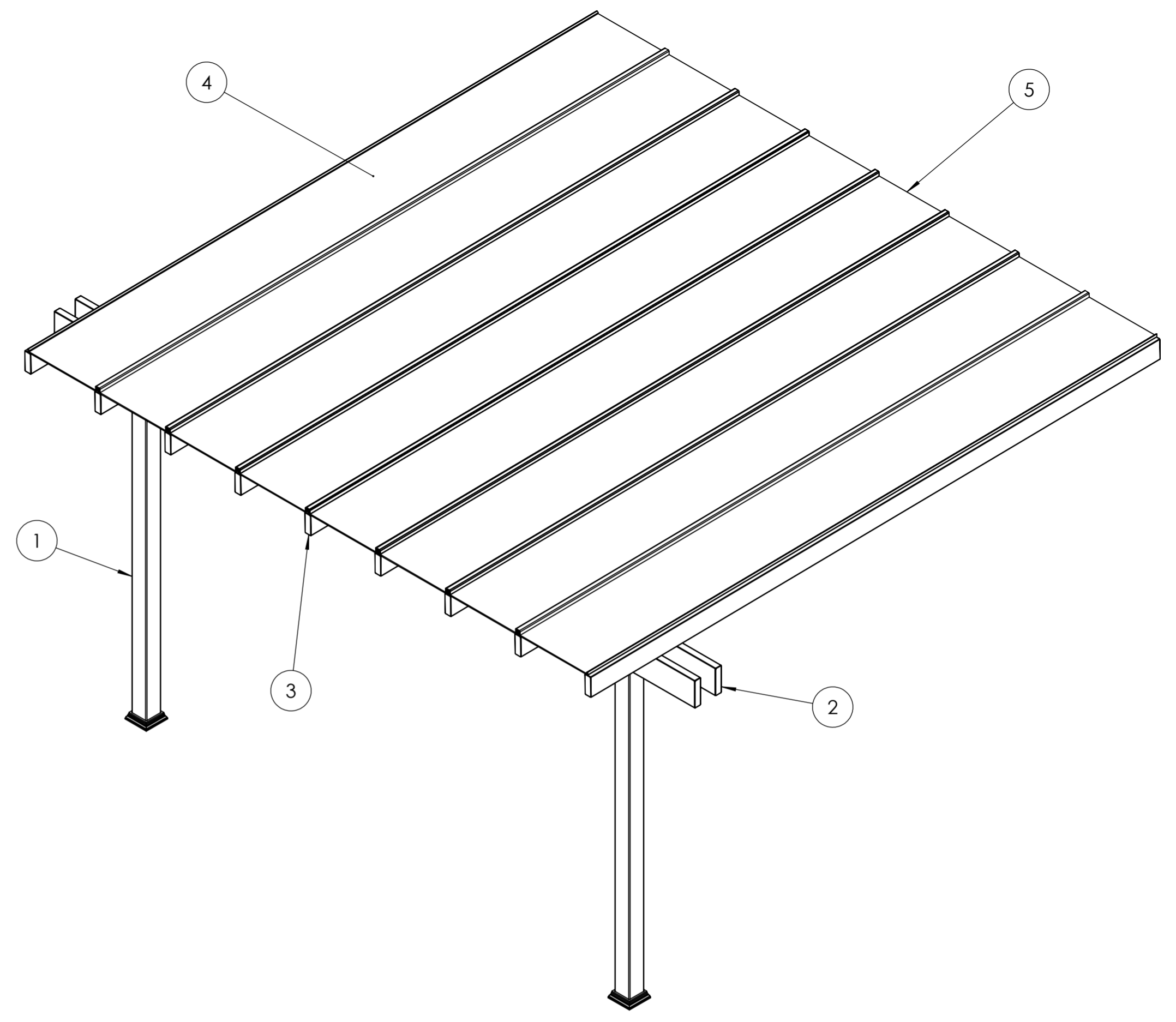
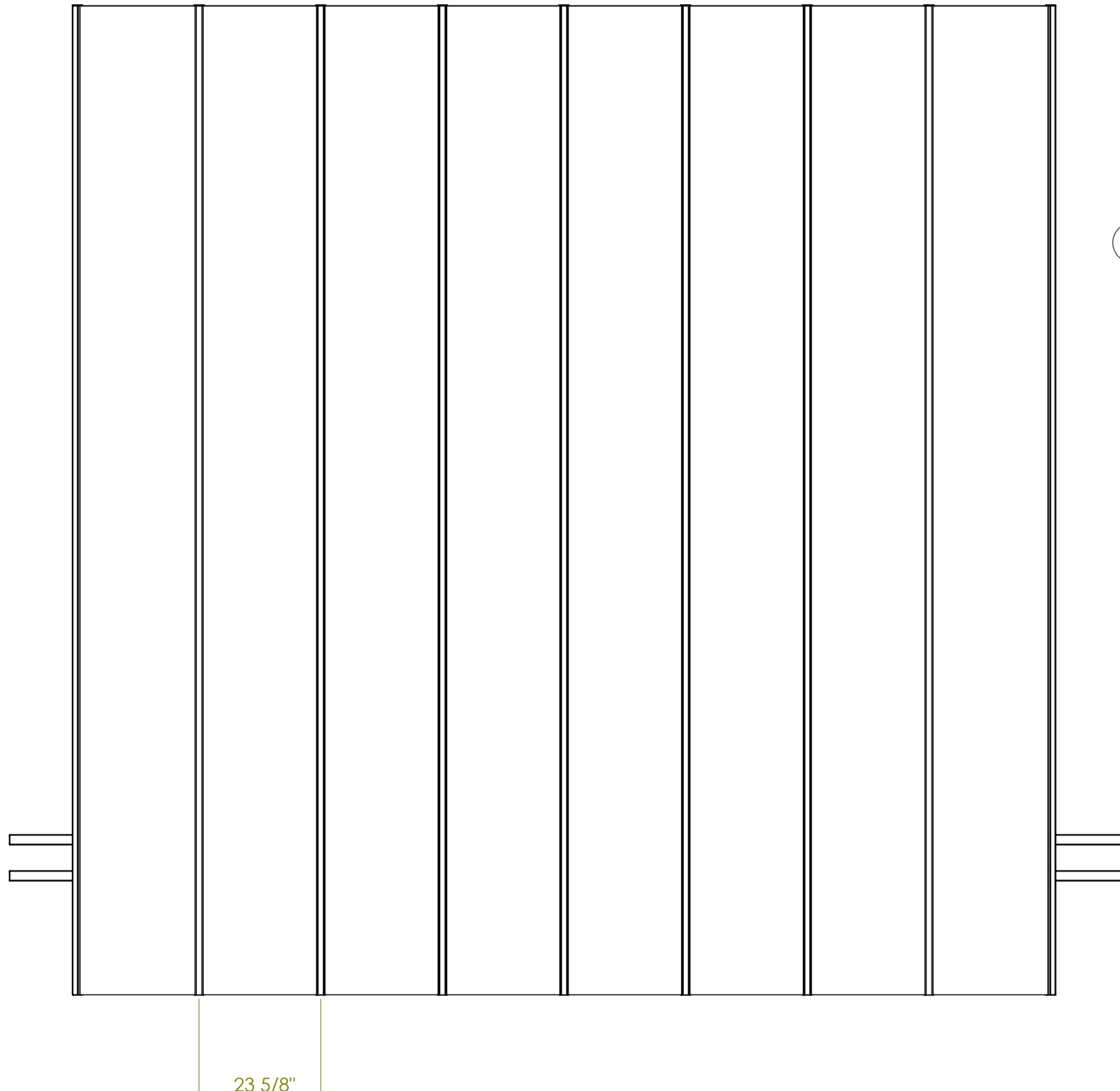


SIDE ELEVATION

Required 1/4" slope per 12" of DEPTH
Recommended 1/2" slope per 12" of DEPTH



PLAN VIEW



KIT COMPONENTS		
ITEM NO.	PART DESCRIPTION	QTY.
1	Your Selected Post with Aluminum Insert	2
2	2x8 Vinyl Beam with Aluminum Insert	2
3	2x6 Vinyl Rafter with Aluminum Insert	9
4	Polycarbonate Panel	8
5	Ledger	1

