

KOHLER®

Roughing-In

K-1146-HK, K-1146-HN PROFLEX® 6040 CUSTOM BATH WHIRLPOOL WITH HEATER

Product Information

Applicable products:	
Custom bath whirlpool with heater – drop-in	K-1146-HK
Custom bath whirlpool with heater – drop-in	K-1146-HN

Fixture*:	
Bathing well:	
Basin area, bottom	46" (1168 mm) x 19" (483 mm)
Basin area, top	55" (1397 mm) x 29" (737 mm)
Weight	61 lbs (27.7 kg)
To overflow:	
Water depth	14" (356 mm)
Capacity	54 gal (204.4 L)
* Approximate measurements for comparison only.	

Pump:	V	Hz	A	
1-speed	120	60	7.5	
Heater:	KW	V	Hz	A
	1.5	120	60	12.5
* Approximate measurement for comparison only.				

Included components:	
Cut-out template	114859-7

Required Electrical Service

Two dedicated circuits required, each protected with Class A Ground-Fault Circuit-Interrupter (GFCI):	
Pump/control	120 V, 15 A, 60 Hz
Heater	120 V, 15 A, 60 Hz
Locate the outlets behind the whirlpool and within 24" (610 mm) of the pump and heater.	

Installation Notes

Install this product according to the installation guide.

Floor support under whirlpool must provide for a minimum of 33 lbs/square foot (158 kg/square meter) loading.

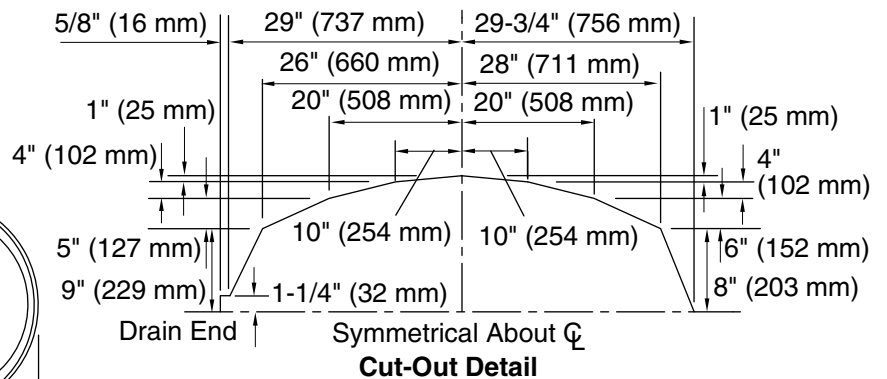
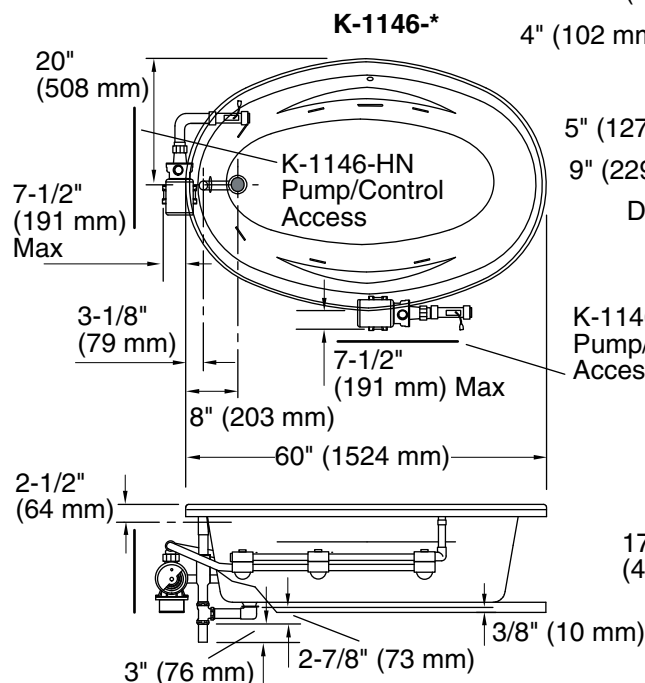
NOTICE: The pump must be relocated to its custom position at the time of installation. Provide adequate clearance between the floor and the pump.

The suction line extends 1" (25 mm) beyond the edge of the rim. The pump base extends 1-1/8" (29 mm) beyond the edge of the rim. Modify the framing as needed.

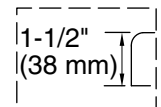
A minimum access panel is required at the pump location, as illustrated. The access panel should be 20" (508 mm) wide and 15" (381 mm) high.

This fixture conforms to ANSI Standard Z124.1.2. All dimensions are nominal.

No change in measurements if connected with the drain illustrated. (K-11677 or K-11677M)



K-1146-HK
Pump/Control
Access



Drop-In
Rim Detail

17-5/8" (448 mm)

16-1/8" (410 mm)

40" (1016 mm)

1-1/2" OD