

OWNER'S MANUAL

17" GRIDDLE

TABLE OF CONTENTS

| | |
|------------------------------------|----|
| IMPORTANT SAFETY INFORMATION | 02 |
| ASSEMBLY GUIDE | 04 |
| OPERATION INSTRUCTIONS | 07 |
| TROUBLESHOOTING | 12 |
| CUSTOMER SUPPORT | 13 |



Latest version of the manual:
BlackstoneProducts.com/support

IMPORTANT:

This instruction manual contains important information necessary for the proper assembly and safe use of the appliance.

Read and follow all warnings and instructions before assembling and using the appliance.

Follow all warnings and instructions when using the appliance.

Keep this manual for future reference.

Installer/Assembler: Leave these instructions with the consumer.

SAFETY ALERT KEY

⚠ DANGER

Indicates a hazardous situation that, if not avoided, will result in death or serious injury.

⚠ WARNING

Indicates a hazardous situation that, if not avoided, could result in death or serious injury.

⚠ CAUTION

Indicates a hazardous situation that, if not avoided, could result in minor or moderate injury.

NOTICE

Indicates information considered important, but not hazard-related (e.g. messages related to property damage).

IMPORTANT SAFETY INFORMATION

GAS APPLIANCE SAFETY

⚠ DANGER

If you smell gas:

- Shut off gas to the appliance.
- Extinguish any open flame.
- Open hood (if applicable).
- If odor continues, keep away from the appliance and immediately call your gas supplier or your fire department.

Failure to follow these instructions could result in fire or property damage, personal injury or death.

⚠ WARNING

An LPG cylinder not connected for use shall not be stored in the vicinity of this or any other appliance.

LPG cylinders are not to be stored in any compartments on the appliance that are not intended for cylinder storage. Such unauthorized storage could lead to an explosion, fire, or personal injury.

INSTALLATION MUST CONFORM WITH LOCAL CODES.

In the absence of local codes, installation must conform with either ANSI Z223.1/NFPA 54, CSA B149.1, or CSA B149.2.

⚠ DANGER

- NEVER operate this appliance unattended.
- If a fire should occur, keep away from the appliance and immediately call your fire department. DO NOT attempt to extinguish an oil or a grease fire with water.
- NEVER operate this appliance within 25 ft (7.5 m) of any flammable liquid.

Failure to follow these instructions could result in fire or property damage, personal injury or death.

⚠ DANGER



CARBON MONOXIDE HAZARD

This appliance can produce carbon monoxide which is poisonous and has no odor. Using it in an enclosed space can kill you.

NEVER use this appliance in an enclosed space such as a camper, tent, car or home.

⚠ DANGER

FOR YOUR SAFETY

DO NOT store or use gasoline or other flammable liquids or vapors in the vicinity of this or any other appliance.

Flammable items can combust if placed near the appliance. Keep the appliance area clear and free from combustible materials, aerosol containers, gasoline and other flammable vapors and liquids.

⚠ WARNING

Improper installation, use, adjustment, alteration, service, modification, or maintenance can cause property damage, serious injury, or death. Read the installation, operating and maintenance instructions thoroughly (refer to this manual) before installing or servicing this equipment.

- The use of alcohol, prescription, or non-prescription drugs may impair the consumer's ability to properly assemble or safely operate the appliance.
- Keep children and pets away from the appliance at all times.
- Have a type BC or ABC fire extinguisher readily available.
- DO NOT use for purposes other than intended.
- DO NOT use this appliance as a heater.
- For outdoor domestic use only, not for commercial use.



SETTING UP YOUR OUTDOOR SPACE

THIS APPLIANCE MUST ONLY BE USED OUTDOORS ON A LEVEL SURFACE.

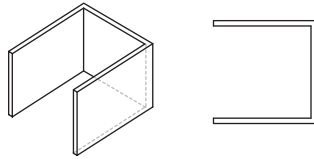
- DO NOT use this appliance inside buildings, garages, or any other enclosed area.
- DO NOT install this appliance in or on a boat.
- DO NOT install this appliance in or on a recreational vehicle.

SHELTERED OUTDOOR AREAS:

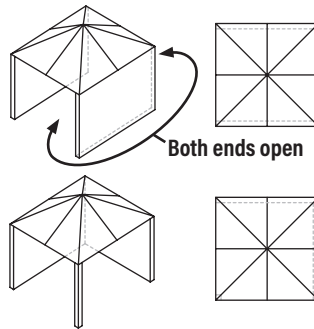
All openings must be permanently open; sliding doors, garage doors, windows or screened openings are not considered as permanent openings.

An appliance is considered to be outdoors if installed with shelter no more inclusive than:

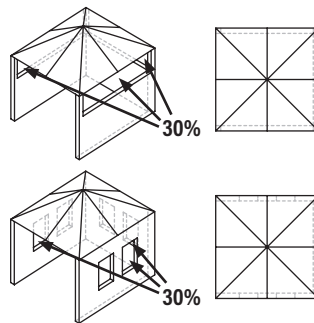
- a. With walls on three sides, but with no overhead cover.



- b. Within a partial enclosure that includes an overhead cover and no more than two sidewalls. The sidewalls may be parallel, as in a breezeway, or at right angles to each other.



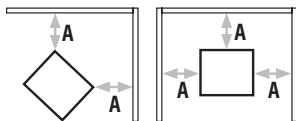
- c. Within a partial enclosure that includes an overhead cover and three sidewalls, as long as 30% or more of the horizontal periphery of the enclosure is permanently open.



The minimum ambient operating temperature is 0°F (-18°C).

MAINTAIN PROPER CLEARANCES FROM COMBUSTIBLE MATERIAL.

- DO NOT use this appliance on or under any apartment or condominium balcony or deck.
- DO NOT obstruct the flow of combustion and ventilation air.



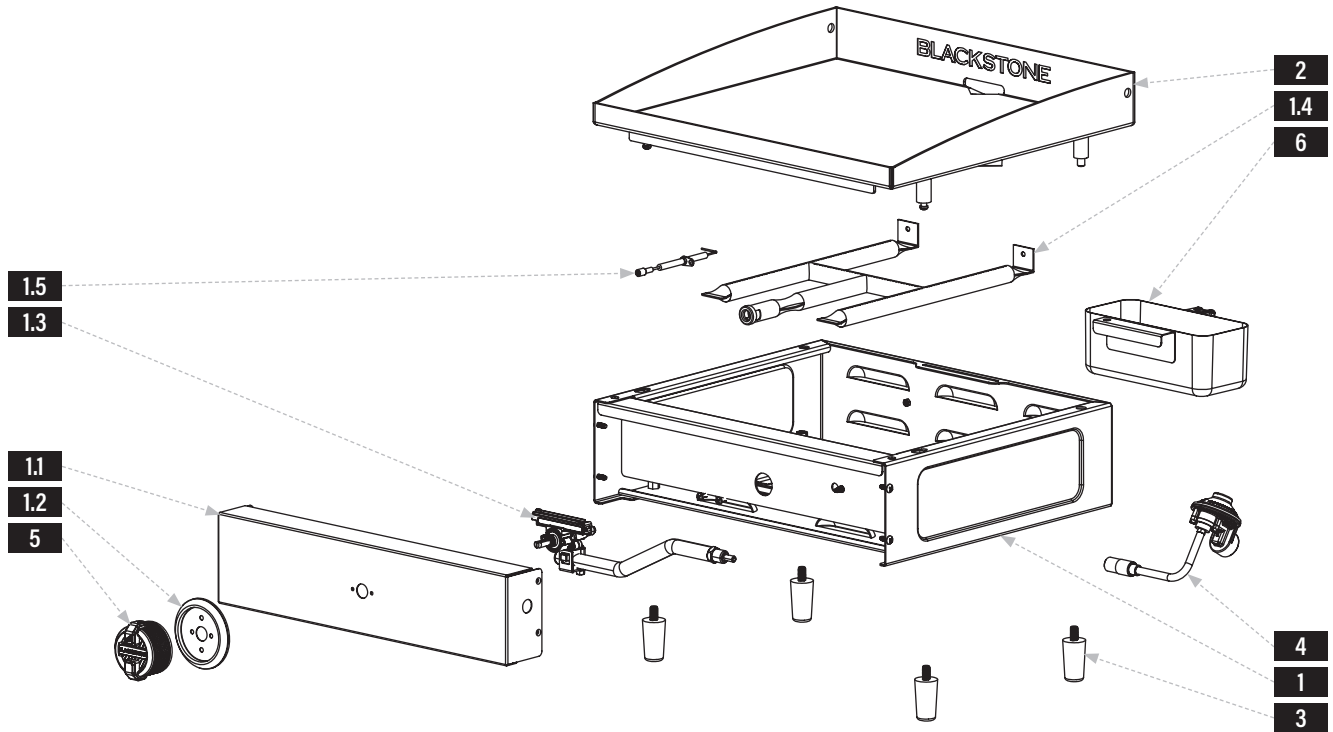
DO NOT operate this appliance any closer than 36 in (1 m) from the sides and back of the appliance to combustible construction.

A = 36 in (1 m)

- DO NOT use this appliance under overhead combustible construction.

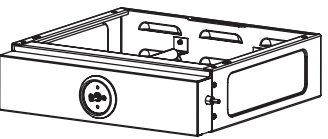
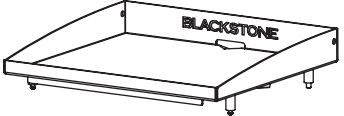
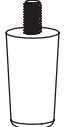


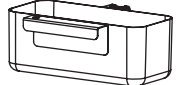
ASSEMBLY GUIDE

EXPLODED VIEW



PARTS LIST

| PARTS | QTY |
|------------------------|-----|
| 1.1 Control panel | 1 |
| 1.2 Control knob bezel | 1 |
| 1.3 Gas rail | 1 |
| 1.4 H burner | 1 |
| 1.5 Ignition needle | 1 |

| | |
|--|---|
| <p>1 Body (1 piece)</p>  | <p>2 Griddle top (1 piece)</p>  |
| <p>3 Feet (4 pieces)</p>  | <p>4 Regulator (1 piece)</p>  |
| <p>5 Control knob (1 piece)</p>  | <p>6 Grease cup (1 piece)</p>  |



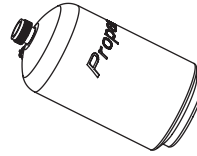
ASSEMBLY INSTRUCTIONS

Find a large, clean area to assemble your appliance.

Remove all packing material before assembling. (You may have additional or spare hardware after assembly.)

⚠ CAUTION

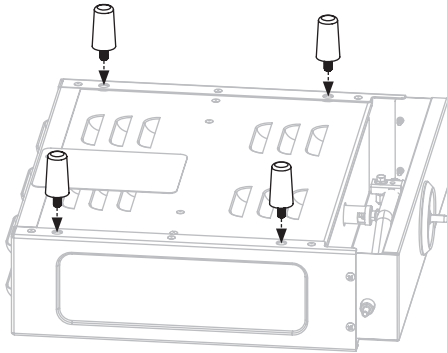
Sharp edges. Wear gloves while assembling.



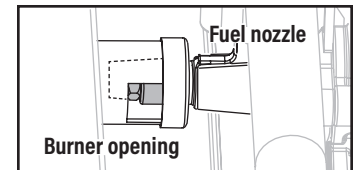
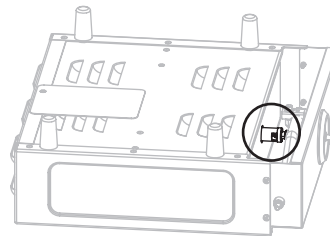
REQUIRED FOR USE (NOT INCLUDED):

1 lb (453 g) LPG cylinder

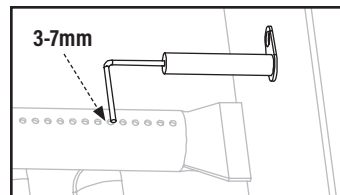
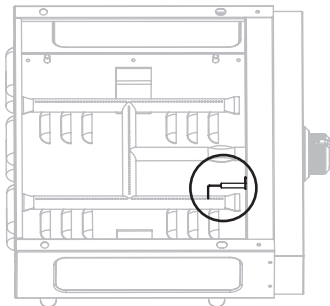
STEP 01 Remove the griddle body from the packaging and set it upside down. Screw the four (4) griddle feet into the bottom of the griddle body.



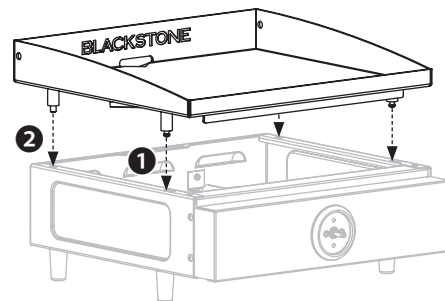
STEP 02 Ensure that the fuel nozzle is housed within the burner opening.



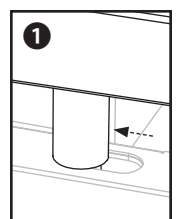
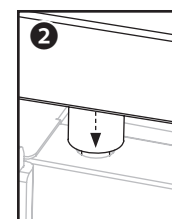
STEP 03 Set the griddle on its feet. Ensure that the ignition needle is positioned 3-7mm away from the burner tube, positioned above the burner hole.



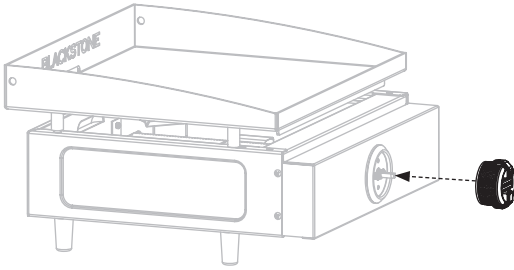
STEP 04 place the griddle top on the main body by aligning the 4 pins to the holes of the body.



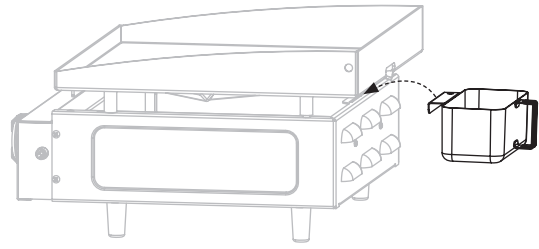
- 1** Place the two front pins into the front locking holes and push the griddle top back.
- 2** Then, set the two rear pins into the rear holes.



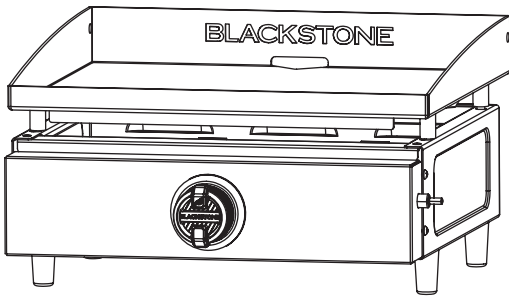
STEP 05 Install the control knob by pushing it into place in the OFF position.



STEP 06 Hang the grease cup in the slot at the rear of the griddle body.



STEP 07 Proceed to the **OPERATION INSTRUCTIONS**.



NOTICE

Place appliance on a heat-resistant and flame-resistant surface while in use.



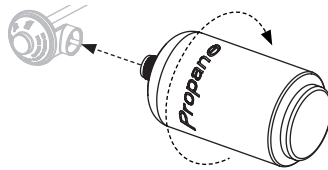
OPERATION INSTRUCTIONS

CONNECT THE LPG CYLINDER

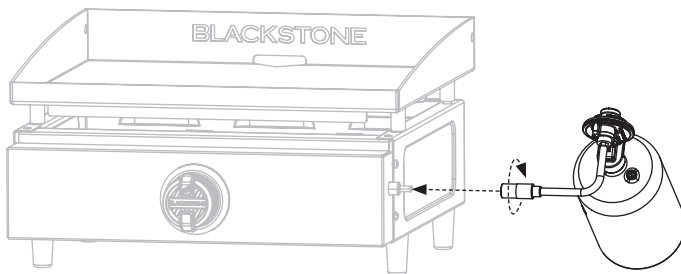
Only use a 1 lb (453 g), 4 x 8 in (10 x 20 cm) cylinder.

STEP 01 Screw in the LPG cylinder into the gas regulator, turning the cylinder clockwise.

The regulator may make a humming or whistling noise during operation. This will not affect safety or use of the appliance.



STEP 02 Insert the regulator and LPG cylinder into the gas line of the appliance. Turn the collar of the regulator clockwise to secure it to the gas line.



LPG CYLINDER SAFETY

- The LPG supply cylinder to be used must be constructed and marked in accordance with the specifications for LP gas cylinders, U.S. Department of Transportation (DOT) or the Standard for Cylinders, Spheres and Tubes for the Transportation of Dangerous Goods, CAN/CSA-B339.
- Only LPG cylinders marked "propane" shall be used.
- The cylinder used, if in excess of 2.2 lb (1.00 kg) propane capacity, must include a collar to protect the cylinder valve.
- The LPG cylinder supply system must be arranged for vapor withdrawal.

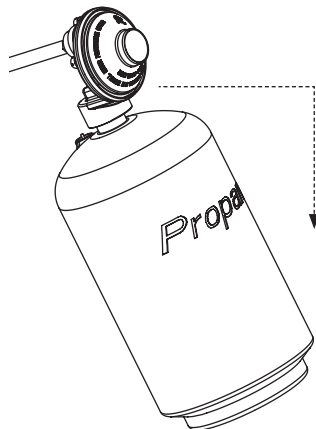
Always keep new LPG cylinders in upright position during use, transit or storage.

Ensure that the LPG cylinder is positioned below the regulator. (If the liquid level of the propane is above the regulator, the regulator will frost.)

IF FROSTING PERSISTS AFTER CYLINDER IS ANGLED CORRECTLY:

STEP 01 Turn off the appliance and disconnect LPG cylinder immediately. This indicates a problem with the LPG cylinder and it should not be used on any product.

STEP 02 Return LPG cylinder to supplier.



REGULATOR SAFETY

- Use this appliance, as purchased, only with gas and regulator/valve assembly supplied. DO NOT use quick connect fittings or other add-ons other than those designed and authorized for use by Blackstone.
- DO NOT cross thread (force at an improper angle) the connection between your LPG cylinder and regulator.
- If you can not connect the regulator, DO NOT use the regulator.

Regulator must be replaced with a Blackstone approved model by a professionally licensed, authorized dealer.

LEAK TEST INSTRUCTIONS

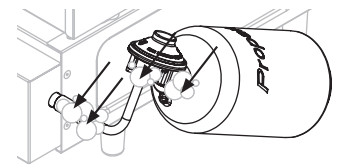
STEP 01 Turn the controls to OFF.

STEP 02 Connect the LPG cylinder to the regulator. Connect the regulator to the appliance.

STEP 03 Make a 90% leak detecting solution by mixing 1 1/2 tbs of hand/ dish soap with 1 cup of water.

STEP 04 Use a clean paintbrush to brush the leak detecting solution onto joint areas of valves and regulator.

STEP 05 If leaks are detected (indicated by growing bubbles), immediately turn OFF the gas and re-tighten connections.



⚠ WARNING

If leaks cannot be stopped, DO NOT try to repair.

Regulator must be replaced with a Blackstone approved model by a professionally licensed, authorized dealer.

DISCONNECTING THE LPG CYLINDER

Storage of the appliance indoors is only permissible if the LPG cylinder is disconnected and removed from the appliance.

STEP 01 Ensure that the control knob(s) are turned to OFF.

STEP 02 Once the appliance has cooled, disconnect the regulator from the gas line by unscrewing the collar.

STEP 03 Unscrew the LPG cylinder from the regulator.

STEP 04 Place dust cap on LPG cylinder valve outlet whenever cylinder is not in use.

Only install the type of dust cap on cylinder valve outlet that is provided with the cylinder valve. Other types of caps or plugs may result in leakage of propane.

STORING LPG CYLINDERS

⚠ WARNING

- DO NOT store a spare LPG cylinder under, near, or in this appliance.
- DO NOT fill an LPG cylinder beyond 80% full.

If the information above is not followed exactly, a fire causing death or serious injury may occur.

The LPG cylinder must be disconnected when the appliance is not in use.

IGNITION INSTRUCTIONS

1. CHECK VALVES

⚠ Ensure gas is OFF before checking appliance valves. Connect/ turn on the gas after checking the valves.

Open hood/ lid prior to lighting, as applicable.

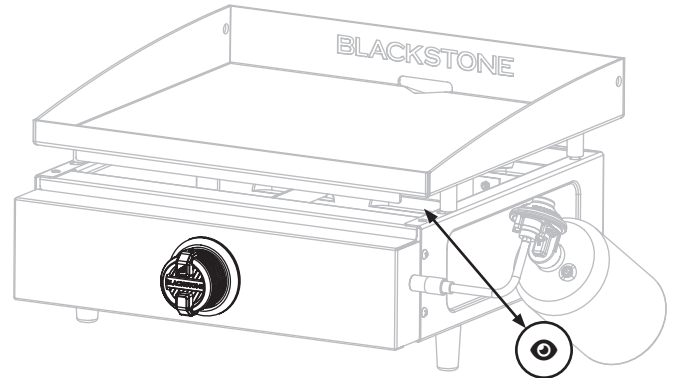
STEP 01 Turn all control knobs to the ❶ OFF position.

STEP 02 Push in the control knobs and release.

STEP 03 Rotate the control knobs to LOW then turn back to OFF.

If the control knobs DO NOT spring back or turn smoothly, contact customer support.

(The valve assembly will need to be replaced before using the appliance.)

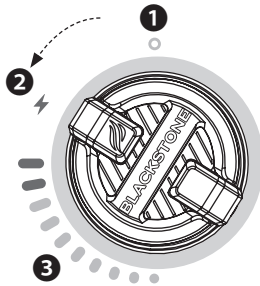


2. PIEZO-ELECTRIC GRIDDLE IGNITION

❶ Push the control knob in to start gas flowing.

❷ Turn the control knob counter-clockwise to activate the starter.

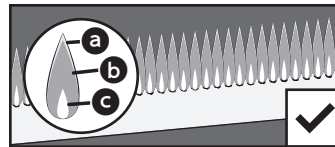
❸ Adjust the temperature to desired level.



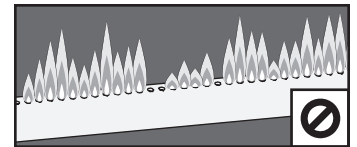
3. ⦿ ALWAYS CHECK THE BURNER FLAME BEFORE USE

↔ Viewing distance: no closer than 18 in (46 cm).

HEALTHY FLAME PATTERN



YELLOW OR IRREGULAR



❶ Flickers of yellow. ❷ Dark blue. ❸ Vibrant blue.

- When the temperature is set to HIGH, flames should be larger than when the temperature is set to LOW.
- If flames are yellow, irregular, or in an unexpected location, turn the appliance OFF and turn to the Troubleshooting chapter.

⚠ WARNING

If burner does not ignite with open gas supply valve, gas will continue to flow out of burner and could accidentally/ inadvertently ignite with risk of injury.

If ignition does not occur in 5 seconds:

1. Turn the appliance OFF.
2. Wait 5 minutes.
3. Repeat the lighting procedure.

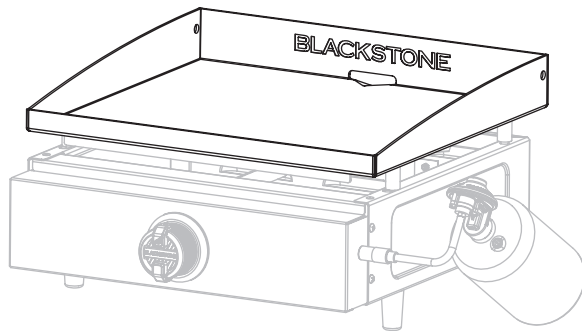
If burner does not ignite, turn the appliance OFF and turn to the Troubleshooting chapter.

⚠ CAUTION

If your appliance has a hood/ lid, leaving it closed with the burners at a low setting for more than 10 minutes may cause over-heating and burns. The cover/ lid/ hood MUST be open when the appliance is in use.



HOW TO USE YOUR GRIDDLE



WASHING YOUR GRIDDLE TOP BEFORE FIRST USE

NOTICE

Soap will ruin a seasoned griddle. This is the only time you should use soap on the griddle cooking surface.

STEP 01 Wash the griddle cooking surface with hot, soapy water.

STEP 02 Rinse and dry completely.

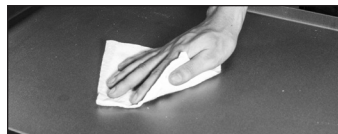
GRIDDLE SEASONING INSTRUCTIONS



VIDEO TUTORIAL

How to Season a New Blackstone Griddle
▶ [youtube.com/watch?v=VspmDVnj2pl&t=3s](https://www.youtube.com/watch?v=VspmDVnj2pl&t=3s)

STEP 01 Wipe any debris off griddle top.



STEP 02 Set your griddle to high heat until your griddle top changes color. (~10 min)

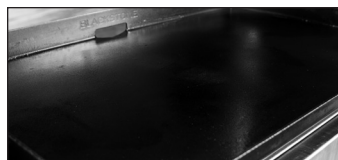


STEP 03 Use tongs to hold a paper towel or cotton cloth and spread 2-3 tablespoons of your seasoning oil across the entire griddle top.

When seasoning your griddle top, remember to use a thin and even layer of oil—the thinner the layer of oil, the easier it will be to burn it off.



STEP 04 The griddle top is ready for another layer of oil when it stops smoking. Repeat **STEP 03** 3-4 times, or until the griddle surface is black.



NOTICE

DO NOT store any items within 3 in (8 cm) of the griddle top while in use.

WHAT OIL IS BEST TO USE?

- Blackstone Seasoning and Cast Iron Conditioner.
- Any plant-based cooking oil.
- Rendered animal fat with no additives.



CAUTION

Properly dispose of the rags/ towels used to spread oil on your griddle top to prevent fires that might occur due to spontaneous combustion.

Under the right conditions, residual oil on rags or towels can oxidize long after being removed from a heat source. The oxidation process itself produces heat which, if not dissipated, can build up and may cause the rags/towels and surrounding material to ignite.

SEASONING TROUBLESHOOTING

There is a brownish residue on the griddle surface:

POSSIBLE CAUSES

- Too much oil was used.
- You turned off the heat too soon.

SOLUTION

STEP 01 Turn your griddle on high and let it heat for 10-15 minutes.

STEP 02 Scrape off as much of the thickened and partially cooked oil as you can.

STEP 03 Re-season with a very thin layer of oil.

The edges of the griddle surface are not black:

After using your griddle for multiple cooks, the seasoning will even out and improve.

PREVENTING RUST

Use your griddle frequently. Every time you cook, you are adding to the seasoning, which makes rust less likely.

NOTICE

If you live in a humid or coastal climate, your griddle may require more frequent seasonings between uses.

If rust appears on the griddle surface, rub it off with steel wool, low grit sandpaper or the **Blackstone Pumice Stone** and re-season the surface.



VIDEO TUTORIAL

Recovering your Blackstone Griddle Top
▶ [youtube.com/watch?v=thPE2lgnSil](https://www.youtube.com/watch?v=thPE2lgnSil)

CAUTION

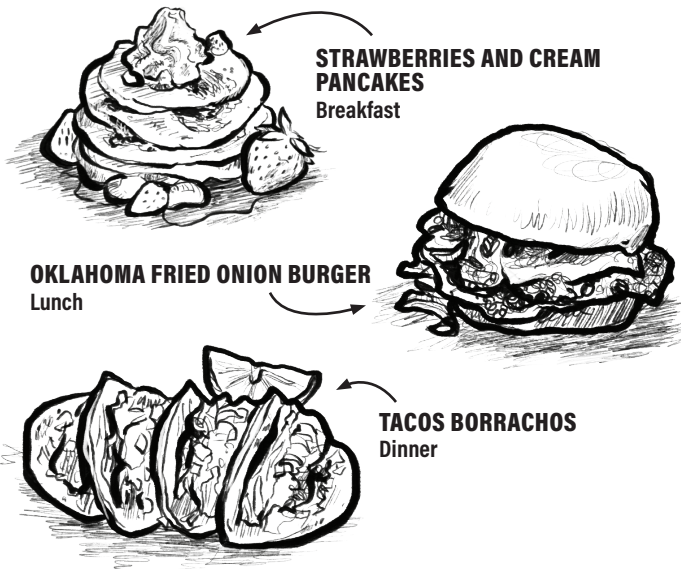
This appliance will be hot during and after use. Use long-handled utensils and oven mitts/ protective gloves when handling potentially hot parts to protect against burns and splatters.

RECIPES AND COOKING TIPS

BlackstoneProducts.com/recipes

youtube.com/BlackstoneGriddles

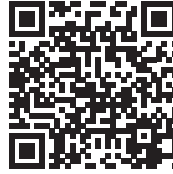
[@blackstoneproducts](https://facebook.com/blackstoneproducts)



CLEANING YOUR GRIDDLE

Clean griddle top after each use, while still warm.

• DO NOT use soap on the griddle top. This will destroy the griddle's seasoning.

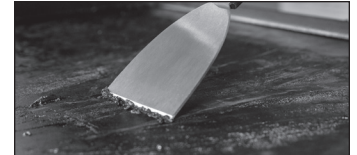


VIDEO TUTORIAL

How to Clean your Blackstone Griddle

youtube.com/watch?v=-ledu9z6NPY

STEP 01 Push loose food debris into the grease cup with spatula or straight metal scraper.



STEP 02 Wipe down griddle top with a paper towel or a Blackstone Scrub Pad.



STEP 03 Apply a few tablespoons of water to the griddle surface, then scrape the water and debris into the grease cup.

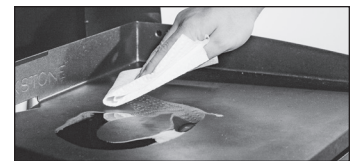
(For stuck-on food residue, use a bit of coarse salt.)



STEP 04 Wipe again with a paper towel and dry completely.



STEP 05 Apply thin coat of cooking oil to maintain seasoning and protect the griddle top.



EMPTY YOUR GREASE CUP

The grease cup must be removed and emptied after each use.

Note: Making sure your griddle is on level ground will allow grease and water to drain towards the rear grease cutout.

CAUTION

Grease cup will be hot during and after use. DO NOT remove the grease cup until the griddle has completely cooled.

**⚠ WARNING**

Grease build up can cause a fire. Clean any part of the appliance that gets hot and experiences grease build up after each use.

⚠ CAUTION

All cleaning and maintenance should be carried out when the appliance is cool and everything is turned OFF.

- DO NOT use abrasive pad on areas with graphics.
- If a bristle brush is used to clean any of the cooking surfaces, ensure no loose bristles remain on cooking surfaces prior to cooking.

APPLIANCE BODY:

Wash with warm soapy water and immediately wipe dry with a non-abrasive cloth. (DO NOT allow cleaning agents to rest on any porous surface for a prolonged amount of time.)

NOTICE

DO NOT use Citrisol, abrasive cleaners, or a concentrated cleaner on the appliance. This may result in damage to and failure of parts.

APPLIANCE STORAGE**⚠ WARNING**

DO NOT move the appliance when in use. Allow the appliance to cool to 115°F (45°C) before moving or storing.

Cover your appliance when stored outdoors. DO NOT store where water will pool.

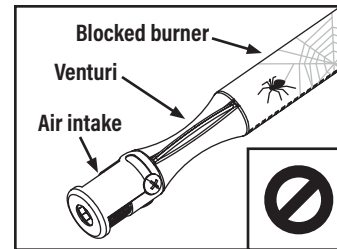


FIND MY COVER
BlackstoneProducts.com

CLEANING THE BURNER ASSEMBLY

Spiders and insects can nest within and clog the burner/venturi tube at the orifice.

To reduce chance of a flashback fire, the procedure below should be followed at least once a month when spiders are most active or when your appliance has not been used for a period of time.

**⚠ WARNING**

A clogged burner can lead to a fire beneath the appliance. Burner should be removed and cleaned whenever blockages are found.

**VIDEO TUTORIAL**

How to Clean Your Burner Tube

[youtube.com/watch?v=xKQTCrFCzf8](https://www.youtube.com/watch?v=xKQTCrFCzf8)

STEP 01 Ensure that the gas is turned OFF at control knobs and gas supply.

- Remove griddle top.
- Detach the burner.

STEP 02 Carefully lift the burner up and away from the gas valve orifice.

STEP 03 Clean the inside of the burner:

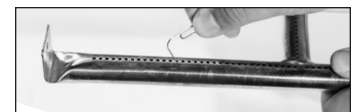
- Run a narrow bottle brush through the burner several times. (DO NOT use wire brushes)
- Use compressed air to blow out the burner. (Wear eye protection)



STEP 04 Brush entire outer surface of burner to remove grime.

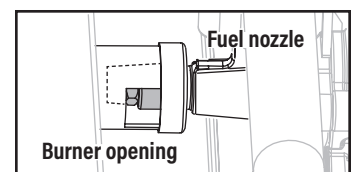


STEP 05 Clean any blocked ports with stiff wire such as an open paper clip.



STEP 06 Carefully replace burners and reattach, with attention to the location of the ignition needle.

⚠ The gas rail fuel nozzle must be reengaged within the burner opening.



TROUBLESHOOTING

BURNER WILL NOT IGNITE

If ignition does not occur in 5 seconds:

STEP 01 Turn the appliance OFF.

STEP 02 Wait 5 minutes.

STEP 03 Repeat the lighting procedure.

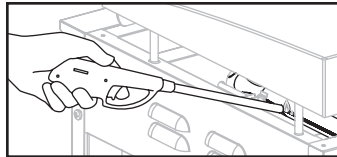
If this does not work, attempt to ignite your appliance with a match to determine the cause.

MATCH LIGHTING INSTRUCTIONS

Before beginning, check for gas leaks. Open hood (if applicable).

STEP 01 Turn controls to OFF.

STEP 02 Light a match (or long lighter) no shorter than 28 cm (11 inches) long.



STEP 03 Place the flame next to the burner.

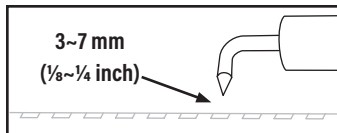
STEP 04 Turn controls to ON to start gas flowing. Ensure burner lights and stays lit.

IF A MATCH CAN NOT IGNITE YOUR APPLIANCE:

| POSSIBLE CAUSES | SOLUTION |
|----------------------------------|--|
| Gas is not reaching the burners. | Reference the "Gas Is Not Reaching the Burners" section. |

IF A MATCH CAN IGNITE YOUR APPLIANCE:

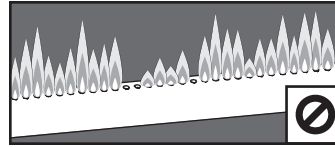
| POSSIBLE CAUSES | SOLUTION |
|--------------------------|---|
| Ignitor wire misaligned. | Ensure that the ignitor needle is positioned 3~7 mm (1/8~1/4 inch) away from the burner, and aligned with the burner holes. |



| | |
|--------------------------------|---|
| Damage to the ignition system. | Contact customer support for replacement parts. |
|--------------------------------|---|

GAS IS NOT REACHING THE BURNERS

FLAMES ARE YELLOW OR IRREGULAR



- Burner flames are inconsistent.
- Flame height drops when a second burner is lit.
- Appliance will not achieve a high heat or heats unevenly.

POSSIBLE CAUSES

Gas cylinder is empty or low. (Not applicable if connected to natural gas)

The regulator's flow limiting device was triggered. (Not applicable for appliances that DO NOT have a permanently affixed regulator)

SOLUTION

Refill or replace the gas cylinder.

Reset the safety system:

STEP 01 Turn OFF the appliance, close the gas cylinder valve, and disconnect the regulator from the gas cylinder.

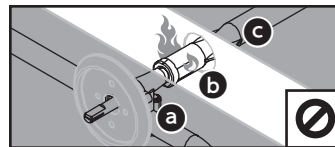
STEP 02 Wait five minutes to allow the pressure to dissipate, then reconnect the regulator to the gas cylinder and slowly open the gas cylinder hand wheel one to three turns.

STEP 03 Ignite your appliance. If this does not work, the regulator may be stuck in the safety position. Contact customer support for replacement parts.

Obstructions in the burner.

Clean the burner assembly to remove the obstruction.

FLAME IN AN UNEXPECTED LOCATION



- a** Gas rail & valves.
- b** Air gate/ intake.
- c** Burner.

POSSIBLE CAUSES

Something is blocking the venturi in the burner.

SOLUTION

Contact customer support to prevent damage to the appliance.



CUSTOMER SUPPORT

CONTACT US

For all questions, inquiries, or customer support, please contact us at:

BLACKSTONE PRODUCTS USA

BlackstoneProducts.com/support

- Please contact us before returning this appliance to your retailer.
- Check BlackstoneProducts.com for hours and languages spoken.

BLACKSTONE PRODUCTS CANADA

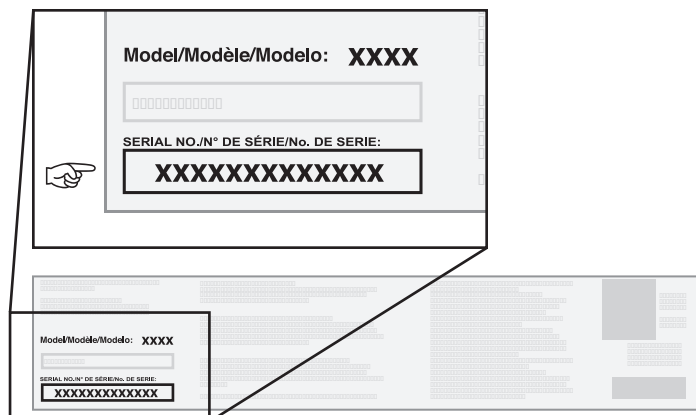
BlackstoneGriddles.ca

SERIAL NUMBER LOCATION

To enable your warranty, you will need to provide your appliance's Serial Number.

The Serial Number can be found on your appliance's Manufacturer Label.

(The Manufacturer Label is a large silver sticker found on the body of your appliance.)



FREE E-COOKBOOK WHEN YOU REGISTER

ONE YEAR WARRANTY

North Atlantic Imports, LLC warrants this product against defects in materials and workmanship for a period of one (1) year from the original date of purchase under normal use. To the extent any such defects occur, North Atlantic Imports, LLC, in its discretion, will provide the appropriate replacement part(s) at no charge.

In no event shall North Atlantic Imports, LLC be liable for consequential, indirect or incidental damages resulting from the installation, use or failure of the product.

This warranty DOES NOT cover:

- Inspection costs or labor for replacement of any defective part(s);
- Cosmetic defects which DO NOT affect product performance or integrity;
- Normal wear and tear;
- Damage due to vandalism; acts of nature, including but not limited to wind, storms, hail, floods;
- Improper assembly, installation, or use;
- Discoloration or fading of the finish as a result of exposure to chemicals, spills, pool or salt water;
- Corrosion/ rust.

This product has been designed for safety and quality. Any modifications made to the original product could compromise its structural integrity or function and could lead to product failure or personal injury. As such, modifying this product voids all warranties.

This product is for RESIDENTIAL USE ONLY, and is not for commercial, contract or other non-residential purposes. North Atlantic Imports, LLC disclaims all other representations and warranties of any kind, express or implied.

The warranty applies to the original purchaser and is non-transferable. It does not apply to accessories or parts not supplied with the product, to purchases of display models, or to product that is sold on clearance or "as is". You may, however, have other specific legal rights based on the laws of your specific state or country of residence.

To activate your warranty, register your product at

BlackstoneProducts.com/register

North Atlantic Imports, LLC reserves the right to change or modify this warranty at any time.

This product may be covered by one or more issued U.S. and/or international patents and may include patent applications pending.

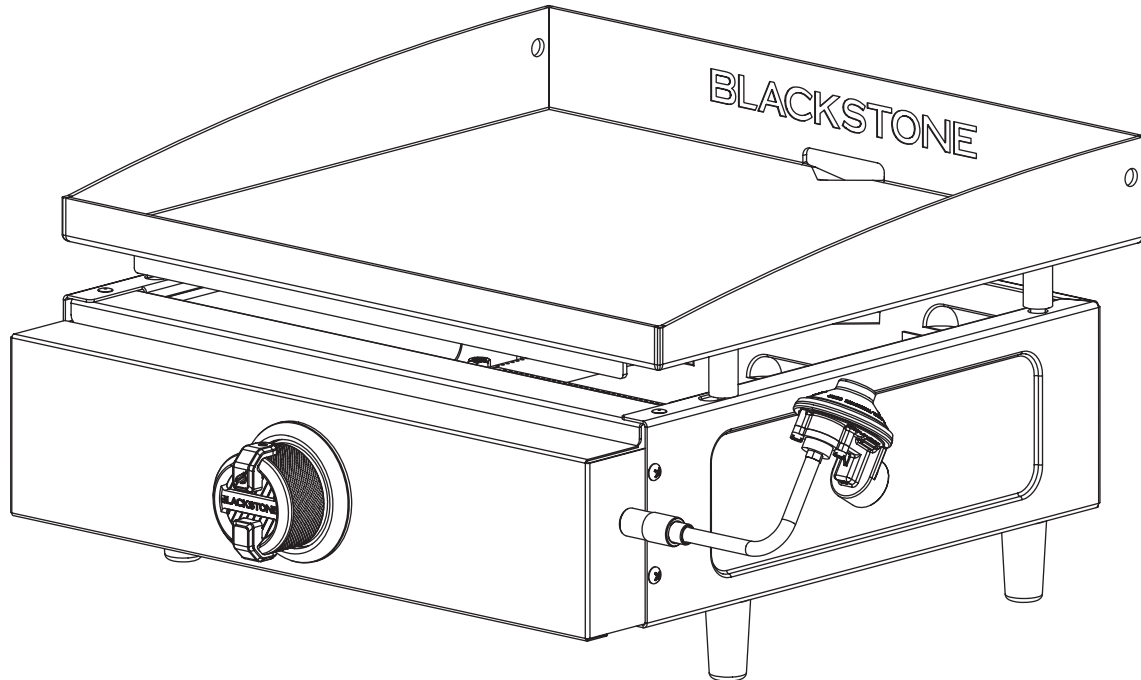
For more information, please visit: BlackstoneProducts.com/patents

Blackstone is a registered trademark of North Atlantic Imports, LLC

©2025 North Atlantic Imports. All rights reserved.

Distributed by North Atlantic Imports, LLC 1073 W 1700 N Logan, UT 84321 USA





MANUEL DU PROPRIÉTAIRE

PLAQUE CHAUFFANTE DE 17 PO

TABLE DES MATIÈRES

| | |
|--|----|
| INFORMATIONS DE SÉCURITÉ IMPORTANTES | 02 |
| GUIDE D'ASSEMBLAGE | 04 |
| INSTRUCTIONS D'UTILISATION | 07 |
| DÉPANNAGE | 12 |
| SERVICE CLIENT | 13 |



Dernière version du manuel:
BlackstoneProducts.com/support

IMPORTANT:

Ce manuel d'instructions contient des informations importantes nécessaires au montage correct et à l'utilisation en toute sécurité de l'appareil.

Lisez et suivez tous les avertissements et instructions avant d'assembler et d'utiliser l'appareil.

Suivez tous les avertissements et instructions lors de l'utilisation de l'appareil.

Conservez ce manuel pour référence ultérieure.

Installateur/Assembleur : Laisser ces instructions au consommateur.

CLÉ D'ALERTE DE SÉCURITÉ

⚠ DANGER

Indique une situation dangereuse qui, si elle n'est pas évitée, entraînera la mort ou des blessures graves.

⚠ ATTENTION

Indique une situation dangereuse qui, si elle n'est pas évitée, pourrait entraîner des blessures mineures ou modérées.

⚠ AVERTISSEMENT

Indique une situation dangereuse qui, si elle n'est pas évitée, peut entraîner la mort ou des blessures graves.

AVIS

Indique des informations considérées comme importantes, mais non liées à un danger (par exemple, des messages liés à des dommages matériels).

INFORMATIONS DE SÉCURITÉ IMPORTANTES

SÉCURITÉ DES APPAREILS À GAZ

⚠ DANGER

Si vous sentez une odeur de gaz:

- Fermez le gaz vers l'appareil.
- Éteignez toute flamme nue.
- Ouvrez le capot (le cas échéant).
- Si l'odeur persiste, éloignez-vous de l'appareil et appelez immédiatement votre fournisseur de gaz ou votre service d'incendie.

Le non-respect de ces instructions peut entraîner un incendie ou des dommages matériels, des blessures ou la mort.

⚠ AVERTISSEMENT

Une bouteille de GPL non connectée pour utilisation ne doit pas être stockée à proximité de cet appareil ou de tout autre appareil.

Les bouteilles de GPL ne doivent pas être stockées dans des compartiments de l'appareil qui ne sont pas destinés à cet effet. Un tel stockage non autorisé peut entraîner une explosion, un incendie ou des blessures corporelles.

L'INSTALLATION DOIT ÊTRE CONFORME AUX CODES LOCAUX.

En l'absence de codes locaux, l'installation doit être conforme à ANSI Z223.1/NFPA 54, CSA B149.1 ou CSA B149.2.

⚠ DANGER

- **NE FAITES jamais fonctionner cet appareil sans surveillance.**
 - **En cas d'incendie, éloignez-vous de l'appareil et appelez immédiatement les pompiers. N'ESSAYEZ PAS d'éteindre un feu d'huile ou de graisse avec de l'eau.**
 - **NE FAITES jamais fonctionner cet appareil à moins de 25 pi (7,5 m) de tout liquide inflammable.**
- El incumplimiento de estas instrucciones podría provocar incendios o daños a la propiedad, lesiones personales o la muerte.**

⚠ DANGER



RISQUE DE MONOXYDE DE CARBONE

Cet appareil peut produire du monoxyde de carbone qui est toxique et inodore.

Son utilisation dans un espace clos peut vous tuer. N'utilisez jamais cet appareil dans un espace clos tel qu'un camping-car, une tente, une voiture ou une maison.

⚠ DANGER

POUR VOTRE SÉCURITÉ

Ne stockez pas et N'UTILISEZ PAS d'essence ou d'autres liquides ou vapeurs inflammables à proximité de cet appareil ou de tout autre appareil.

Les objets inflammables peuvent prendre feu s'ils sont placés à proximité de l'appareil.

Gardez la zone de l'appareil dégagée et exempte de matériaux combustibles, de contenants aérosols, d'essence et d'autres vapeurs et liquides inflammables.

⚠ AVERTISSEMENT

Une installation, une utilisation, un réglage, une altération, un service, une modification ou un entretien inappropriés peuvent provoquer des dommages matériels, des blessures graves, voire la mort. Lisez attentivement les instructions d'installation, d'utilisation et d'entretien (consultez ce manuel) avant d'installer ou d'entretenir cet équipement.

- L'utilisation d'alcool, de médicaments sur ordonnance ou en vente libre peut nuire à la capacité du consommateur à assembler correctement ou à utiliser l'appareil en toute sécurité.
- Gardez les enfants et les animaux domestiques éloignés de l'appareil à tout moment.
- Ayez à portée de main un extincteur de type BC ou ABC.
- NE PAS utiliser à des fins autres que celles prévues.
- N'UTILISEZ PAS cet appareil comme appareil de chauffage.
- Pour usage domestique extérieur uniquement, pas pour un usage commercial.



AMÉNAGEMENT DE VOTRE ESPACE EXTÉRIEUR

CET APPAREIL NE DOIT ÊTRE UTILISÉ QU'À L'EXTÉRIEUR SUR UNE SURFACE PLANE.

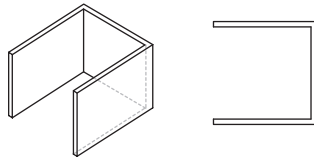
- N'UTILISEZ PAS cet appareil à l'intérieur de bâtiments, de garages ou de tout autre espace clos.
- N'INSTALLEZ PAS cet appareil dans ou sur un bateau.
- N'INSTALLEZ PAS cet appareil dans ou sur un véhicule récréatif.

ESPACES EXTÉRIEURS ABRITÉS:

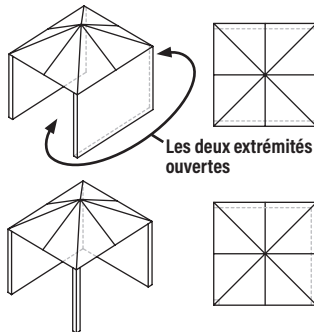
Toutes les ouvertures doivent être ouvertes en permanence ; les portes coulissantes, les portes de garage, les fenêtres ou les ouvertures grillagées ne sont pas considérées comme des ouvertures permanentes.

Un appareil est considéré comme étant à l'extérieur s'il est installé avec un abri ne dépassant pas:

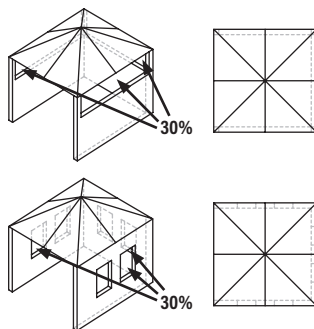
- a. Avec des murs sur trois côtés, mais sans couverture aérienne.



- b. À l'intérieur d'une enceinte partielle qui comprend un toit supérieur et pas plus de deux parois latérales. Les parois latérales peuvent être parallèles, comme dans un passage couvert, ou à angle droit l'une par rapport à l'autre.



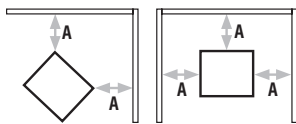
- c. À l'intérieur d'une enceinte partielle qui comprend un couvercle supérieur et trois parois latérales, tant que 30% ou plus de la périphérie horizontale de l'enceinte est ouverte en permanence.



La température ambiante minimale de fonctionnement est de 0°F (-18°C).

MAINTENIR DES DÉGAGEMENTS APPROPRIÉS PAR RAPPORT AUX MATÉRIAUX COMBUSTIBLES :

- N'UTILISEZ PAS cet appareil sur ou sous un balcon ou une terrasse d'appartement ou de copropriété.
- NE PAS obstruer le flux d'air de combustion et de ventilation.



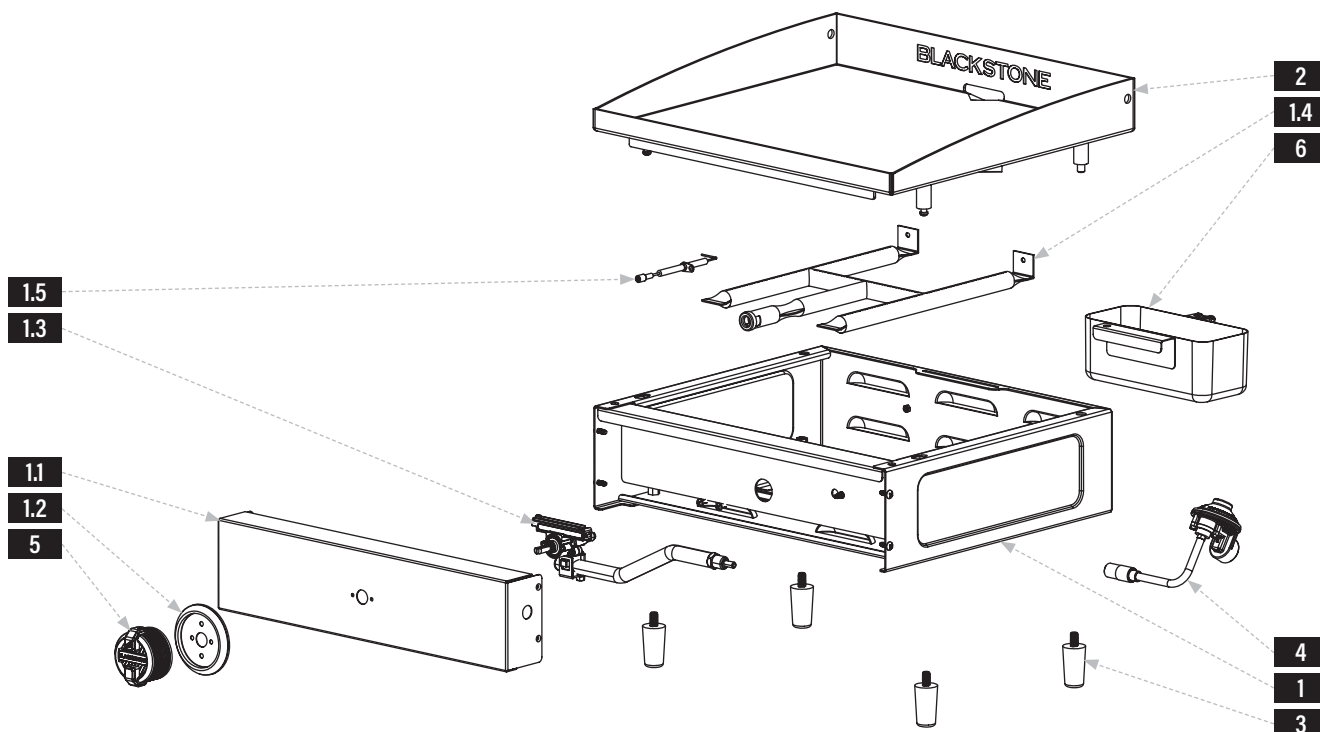
NE FAITES pas fonctionner cet appareil à moins de 36 po (1 m) des côtés et de l'arrière de l'appareil à une construction combustible.

A = 36 po (1 m)

- N'UTILISEZ PAS cet appareil sous une construction combustible suspendue.

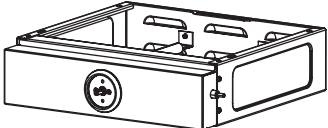
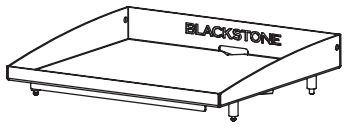

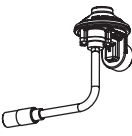

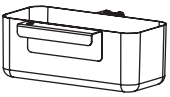
GUIDE D'ASSEMBLAGE

VUE ÉCLATÉE



Liste des pièces

| PIÈCES | QTÉ |
|-----------------------------------|-----|
| 1.1 Panneau de commande | 1 |
| 1.2 Lunette de bouton de commande | 1 |
| 1.3 Rampe de gaz | 1 |
| 1.4 Brûleur H | 1 |
| 1.5 Aiguille d'allumage | 1 |

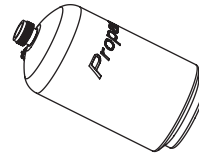
| | |
|--|---|
| <p>1 Corps (1 pièce)</p>  | <p>2 Plaque chauffante (1 pièce)</p>  |
| <p>3 Pieds (4 pièces)</p>  | <p>4 Régulateur (1 pièce)</p>  |
| <p>5 Bouton de commande (1 pièce)</p>  | <p>6 Pot à graisse (1 pièce)</p>  |



INSTRUCTIONS DE MONTAGE

Trouvez une grande surface propre pour assembler votre appareil.
Retirez tous les matériaux d'emballage avant l'assemblage. (Il se peut que vous ayez du matériel supplémentaire ou de rechange après l'assemblage.)

⚠ ATTENTION
Bouts pointus. Portez des gants lors de l'assemblage.

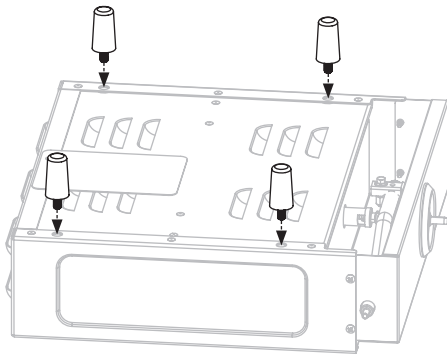


NÉCESSAIRE POUR L'UTILISATION (NON INCLUS):

Bouteille de GPL de 1 lb (453 g)

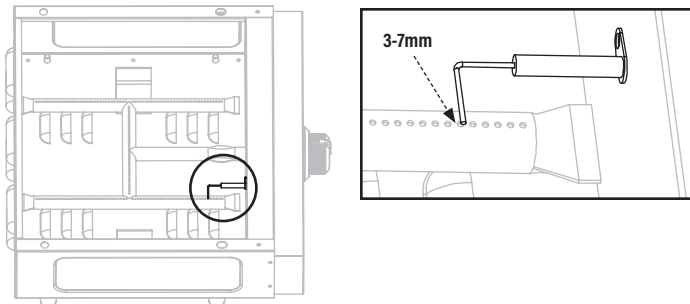
ÉTAPE 01 Retirez le corps de la plaque chauffante de l'emballage et placez-le à l'envers.

Vissez les quatre (4) pieds de la plaque chauffante dans le bas du corps de la plaque chauffante.

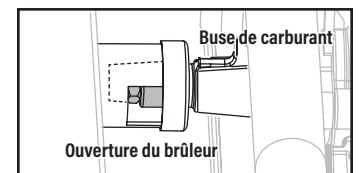
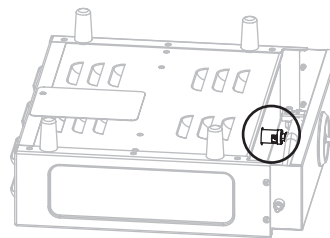


ÉTAPE 03 Placez la plaque chauffante sur ses pieds.

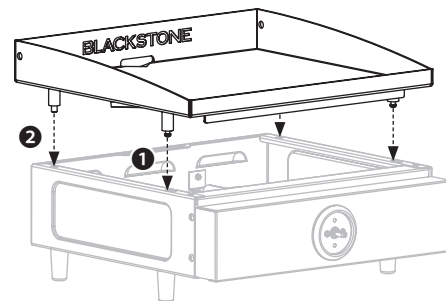
Assurez-vous que l'aiguille d'allumage est positionnée à 3-7 mm du tube du brûleur, positionnée au-dessus du trou du brûleur.



ÉTAPE 02 Assurez-vous que la buse de carburant est logée dans l'ouverture du brûleur.

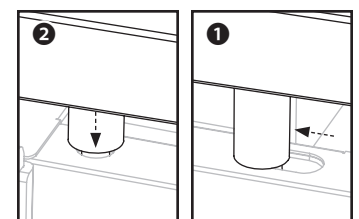


ÉTAPE 04 placez le dessus de la plaque chauffante sur le corps principal en alignant les 4 broches sur les trous du corps.



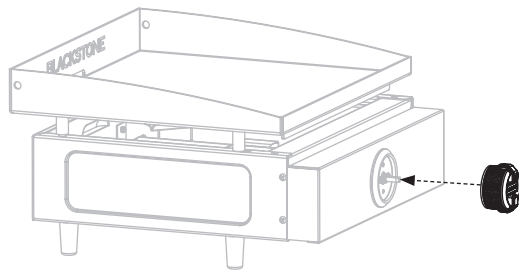
1 Placez les deux goupilles avant dans les trous de verrouillage avant et repoussez le dessus de la plaque chauffante.

2 Ensuite, placez les deux broches arrière dans les trous arrière.

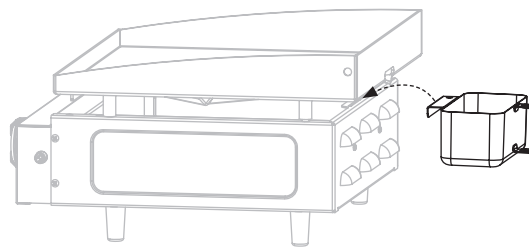


FRANÇAIS

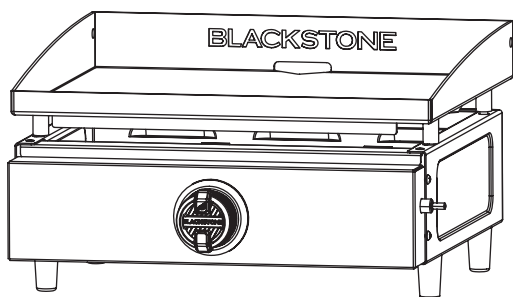
ÉTAPE 05 Installez le bouton de commande en le poussant en place en position OFF.



ÉTAPE 06 Accrochez le bac à graisse dans la fente à l'arrière du corps de la plaque chauffante.



ÉTAPE 07 Passez aux **INSTRUCTIONS D'UTILISATION**.



AVIS

Placez l'appareil sur une surface résistante à la chaleur et aux flammes pendant son utilisation.



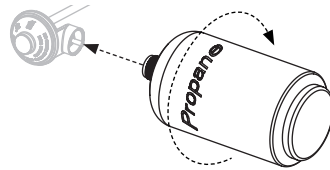
INSTRUCTIONS D'UTILISATION

CONNECTEZ LA BOUTEILLE DE GPL

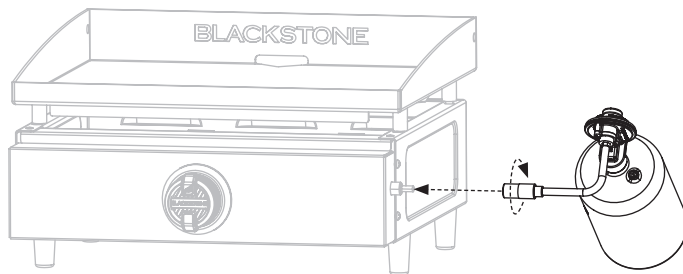
Utilisez uniquement un cylindre de 1 lb (453 g) et de 4 x 8 po (10 x 20 cm).

ÉTAPE 01 Vissez la bouteille de GPL dans le régulateur de gaz en tournant la bouteille dans le sens des aiguilles d'une montre.

Le régulateur peut émettre un bourdonnement ou un sifflement pendant le fonctionnement. Cela n'affectera pas la sécurité ou l'utilisation de l'appareil.



ÉTAPE 02 Insérez le régulateur et la bouteille de GPL dans la conduite de gaz de l'appareil. Tournez le collier du régulateur dans le sens des aiguilles d'une montre pour le fixer à la conduite de gaz.



SÉCURITÉ DES BOUTEILLES DE GPL

- La bouteille d'alimentation en GPL à utiliser doit être construite et marquée conformément aux spécifications pour les bouteilles de GPL, U.S. Department of Transportation (DOT) ou à la norme pour les bouteilles, les sphères et les tubes pour le transport des marchandises dangereuses, CAN/CSA-B339.
- Seules les bouteilles de GPL marquées « propane » doivent être utilisées.
- La bouteille utilisée, si elle dépasse 2,2 lb (1,00 kg) de capacité de propane, doit inclure un collier pour protéger le robinet de la bouteille.
- Le système d'alimentation des bouteilles de GPL doit être conçu pour le prélèvement de vapeur.

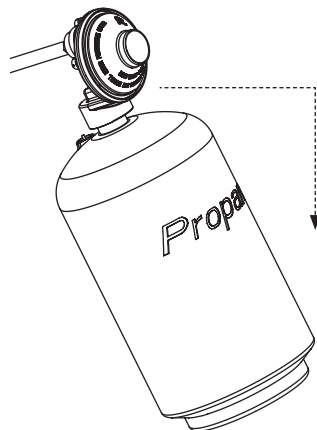
Gardez toujours les nouvelles bouteilles de GPL en position verticale pendant l'utilisation, le transport ou le stockage.

Assurez-vous que la bouteille de GPL est positionnée sous le régulateur. (Si le niveau liquide du propane est au-dessus du régulateur, le régulateur givrera.)

SI LE GIVRAGE PERSISTE APRÈS QUE LE CYLINDRE SOIT CORRECTEMENT INCLINÉ :

ÉTAPE 01 Éteignez l'appareil et débranchez immédiatement la bouteille de GPL. Cela indique un problème avec la bouteille de GPL et elle ne doit être utilisée sur aucun produit.

ÉTAPE 02 Renvoyez la bouteille de GPL au fournisseur.



SÉCURITÉ DU DÉTENEUR

- Utilisez cet appareil, tel qu'il a été acheté, uniquement avec le gaz et l'ensemble régulateur/valve fournis. N'UTILISEZ PAS de raccords rapides ou d'autres modules complémentaires autres que ceux conçus et autorisés par Blackstone.
- NE PAS fausser le filetage (forcer à un angle inapproprié) la connexion entre votre bouteille de GPL et le régulateur.
- Si vous ne pouvez pas connecter le régulateur, N'UTILISEZ PAS le régulateur.

Le régulateur doit être remplacé par un modèle approuvé par Blackstone par un revendeur professionnel agréé.

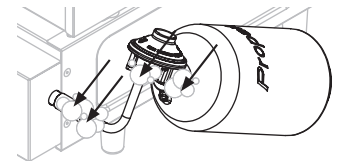
INSTRUCTIONS DE TEST DE FUITE

ÉTAPE 01 Tournez les boutons de commande sur OFF.

ÉTAPE 02 Connectez la bouteille de GPL au régulateur. Connectez le régulateur à l'appareil.

ÉTAPE 03 Préparez une solution de détection de fuite 9% en mélangeant 1 ½ cuillère à soupe de savon pour les mains/vaisselle avec 1 tasse d'eau.

ÉTAPE 04 Utilisez un pinceau propre pour appliquer la solution de détection de fuite sur les zones de joint des vannes et du régulateur.



ÉTAPE 05 Si des fuites sont détectées (indiquées par la formation de bulles), coupez immédiatement le gaz et resserrez les raccords.

⚠ AVERTISSEMENT

Si les fuites ne peuvent pas être arrêtées, N'ESSEYER PAS de les réparer.

Le régulateur doit être remplacé par un modèle approuvé par Blackstone par un revendeur professionnel agréé.

DÉCONNEXION DE LA BOUTEILLE DE GPL

Le stockage de l'appareil à l'intérieur n'est autorisé que si la bouteille de GPL est débranchée et retirée de l'appareil.

ÉTAPE 01 Assurez-vous que le(s) bouton(s) de commande sont sur OFF.

ÉTAPE 02 Une fois l'appareil refroidi, déconnectez le régulateur de la conduite de gaz en dévissant le collier.

ÉTAPE 03 Dévissez la bouteille de GPL du régulateur.

ÉTAPE 04 Placez le capuchon anti-poussière sur la sortie du robinet de la bouteille de GPL chaque fois que la bouteille n'est pas utilisée.

N'installez que le type de capuchon anti-poussière sur la sortie du robinet de bouteille qui est fourni avec le robinet de bouteille. D'autres types de bouchons ou de bouchons peuvent entraîner des fuites de propane.

STOCKAGE DES BOUTEILLES DE GPL

⚠ AVERTISSEMENT

- Ne stockez pas de bouteille de GPL de recharge sous, à proximité ou dans cet appareil.
 - Ne remplissez pas une bouteille de GPL à plus de 80%.
- Si les informations ci-dessus ne sont pas suivies à la lettre, un incendie causant la mort ou des blessures graves peut se produire.

La bouteille de GPL doit être déconnectée lorsque l'appareil n'est pas utilisé.

INSTRUCTIONS D'ALLUMAGE

1. CLAPETS ANTI-RETOUR

⚠ Assurez-vous que le gaz est COUPÉ avant de vérifier les vannes de l'appareil. Branchez/ouvrez le gaz après avoir vérifié les vannes.

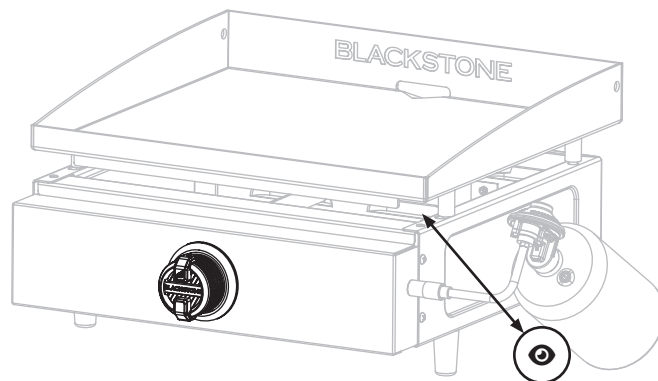
Ouvrez le capot/le couvercle avant d'allumer, le cas échéant.

ÉTAPE 01 Tournez tous les boutons de commande sur la position ❶ off.

ÉTAPE 02 Appuyez sur les boutons de commande et relâchez-les.

ÉTAPE 03 Tournez les boutons de commande sur LOW puis remettez-les sur OFF.

Si les boutons de commande ne reviennent pas en position initiale ou ne tournent pas en douceur, contactez le service client. (L'ensemble de la valve devra être remplacé avant d'utiliser l'appareil.)

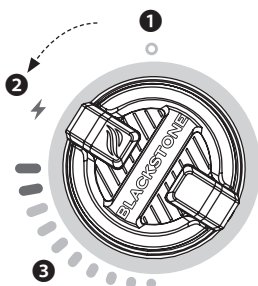


2. ALLUMAGE PIÉZO-ÉLECTRIQUE DE LA PLAQUE CHAUFFANTE

❶ Appuyez sur le bouton de commande pour démarrer l'écoulement du gaz.

❷ Tournez le bouton de commande dans le sens antihoraire pour activer le démarreur.

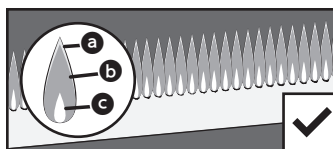
❸ Réglez la température au niveau souhaité.



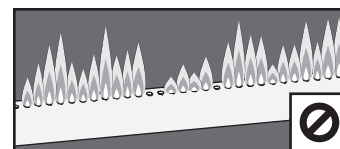
3. VÉRIFIEZ TOUJOURS LA FLAMME DU BRÛLEUR AVANT UTILISATION

↔ Distance de visualisation : pas plus près de 46 cm (18 po).

FLAMME SAINES



JAUNE OU IRRÉGULIÈRE



a Scintillements jaunes. b Bleu foncé. c Bleu vif.

- Lorsque la température est réglée sur ÉLEVÉE, les flammes doivent être plus grandes que lorsque la température est réglée sur BASSE.
- Si les flammes sont jaunes, irrégulières ou situées à un endroit inattendu, éteignez l'appareil et passez au chapitre Dépannage.

⚠ AVERTISSEMENT

Si le brûleur ne s'allume pas avec la vanne d'alimentation en gaz ouverte, le gaz continuera de s'écouler hors du brûleur et pourrait s'allumer accidentellement/par inadvertance avec risque de blessure.

Si l'allumage ne se produit pas dans les 5 secondes:

1. Éteignez l'appareil.
2. Attendez 5 minutes.
3. Répétez la procédure d'allumage.

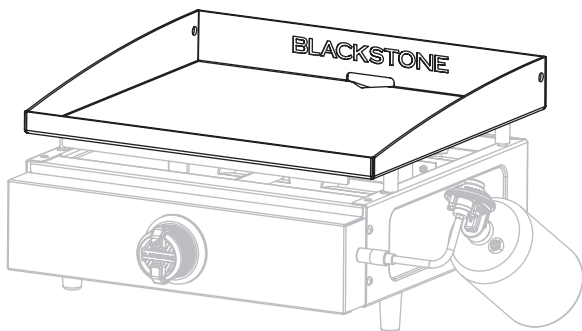
Si le brûleur ne s'allume pas, éteignez l'appareil et passez au chapitre Dépannage.

⚠ ATTENTION

Si votre appareil est équipé d'un capot/couvercle, le laisser fermé avec les brûleurs réglés à basse température pendant plus de 10 minutes peut provoquer une surchauffe et des brûlures. Le capot/couvercle/couvercle DOIT être ouvert lorsque l'appareil est en cours d'utilisation.



COMMENT UTILISER VOTRE PLAQUE CHAUFFANTE



LAVER LE DESSUS DE VOTRE PLANCHA AVANT LA PREMIÈRE UTILISATION

AVIS

Le savon ruinerait une plaque chauffante assaisonnée. C'est la seule fois où vous devez utiliser du savon sur la surface de cuisson de la plaque chauffante.

ÉTAPE 01 Lavez la surface de cuisson de la plaque chauffante avec de l'eau chaude savonneuse.

ÉTAPE 02 Rincez et séchez complètement.

INSTRUCTIONS POUR ASSAISONNER LA PLAQUE CHAUFFANTE

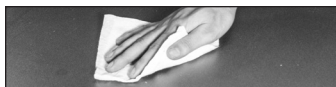


DIDACTICIEL VIDÉO

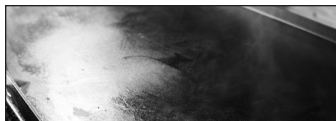
Comment assaisonner une nouvelle plaque chauffante Blackstone

▶ [youtube.com/watch?v=VspmDVnj2pl&t=3s](https://www.youtube.com/watch?v=VspmDVnj2pl&t=3s)

ÉTAPE 01 Essayez tous les débris du dessus de la plaque chauffante.



ÉTAPE 02 Réglez votre plaque chauffante à feu vif jusqu'à ce que le dessus de votre plaque chauffante change de couleur. (~10 minutes)

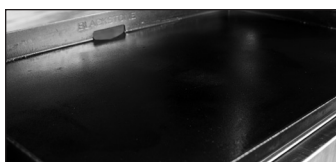


ÉTAPE 03 Utilisez des pinces pour tenir une serviette en papier ou un chiffon en coton et étalez 2 à 3 cuillères à soupe de votre huile d'assaisonnement sur tout le dessus de la plaque chauffante.

Lorsque vous assaisonnez le dessus de votre plaque chauffante, n'oubliez pas d'utiliser une couche d'huile fine et uniforme - plus la couche d'huile est fine, plus il sera facile de la brûler.



ÉTAPE 04 Le dessus de la plaque chauffante est prêt pour une autre couche d'huile lorsqu'il cesse de fumer. Répétez L'ÉTAPE 03 3 à 4 fois ou jusqu'à ce que la surface de la plaque chauffante soit noire.



AVIS

Ne rangez aucun objet à moins de 8 cm (3 po) du dessus de la plaque chauffante pendant son utilisation.

QUELLE HUILE EST PRÉFÉRABLE D'UTILISER?

- Blackstone Seasoning and Cast Iron Conditioner.
- Toute huile de cuisson à base de plantes.
- Graisse animale fondue sans additifs.



⚠ ATTENTION

Jetez correctement les chiffons/serviettes utilisés pour répandre l'huile sur votre plaque chauffante afin d'éviter les incendies qui pourraient survenir en raison d'une combustion spontanée.

Dans de bonnes conditions, l'huile résiduelle sur les chiffons ou les serviettes peut s'oxyder longtemps après avoir été retirée d'une source de chaleur. Le processus d'oxydation lui-même produit de la chaleur qui, si elle n'est pas dissipée, peut s'accumuler et provoquer l'inflammation des chiffons/serviettes et des matériaux environnants.

DÉPANNAGE DE L'ASSAISONNEMENT

Il y a un résidu brunâtre sur la surface de la plaque chauffante:

CAUSES POSSIBLES

- Trop d'huile a été utilisée.
- Vous avez éteint le chauffage trop tôt.

LA SOLUTION

ÉTAPE 01 Allumez votre plaque chauffante à feu vif et laissez-la chauffer pendant 10 à 15 minutes.

ÉTAPE 02 Grattez autant que possible l'huile épaissie et partiellement cuite.

ÉTAPE 03 Réassaisonnez avec une très fine couche d'huile.

Les bords de la surface de la plaque chauffante ne sont pas noirs: Après avoir utilisé votre plaque chauffante pour plusieurs cuisiniers, l'assaisonnement s'uniformisera et s'améliorera.

PRÉVENTION DE LA ROUILLE

Utilisez fréquemment votre plancha. Chaque fois que vous cuisinez, vous ajoutez de l'assaisonnement, ce qui rend la rouille moins probable.

AVIS

Si vous vivez dans un climat humide ou côtier, votre plancha peut nécessiter des assaisonnements plus fréquents entre les utilisations.

Si de la rouille apparaît sur la surface de la plaque chauffante, frottez-la avec de la laine d'acier, du papier de verre à faible grain ou la **Blackstone Pumice Stone** et ré-assaisonnez la surface.



DIDACTICIEL VIDÉO

Récupération de votre plaque chauffante Blackstone
▶ [youtube.com/watch?v=thPE2lgnSil](https://www.youtube.com/watch?v=thPE2lgnSil)

⚠ ATTENTION

Cet appareil sera chaud pendant et après son utilisation. Utilisez des ustensiles à long manche et des gants de cuisine/de protection lorsque vous manipulez des pièces potentiellement chaudes pour vous protéger contre les brûlures et les éclaboussures.

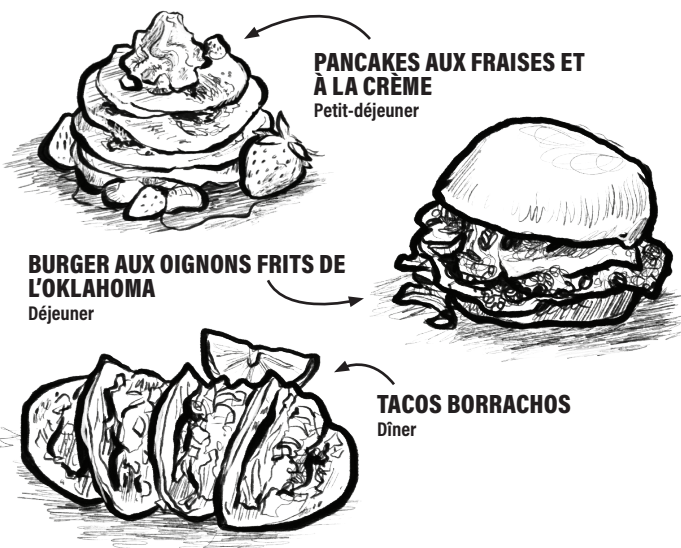
RECETTES ET CONSEILS DE CUISINE

🌐 BlackstoneProducts.com/recipes

📺 youtube.com/BlackstoneGriddles

📱 [@blackstoneproducts](https://facebook.com/blackstoneproducts)

FRANÇAIS



NETTOYER VOTRE PLAQUE CHAUFFANTE

Nettoyez le dessus de la plaque chauffante après chaque utilisation, pendant qu'il est encore chaud.

- N'UTILISEZ PAS de savon sur le dessus de la plaque chauffante. Cela détruira l'assaisonnement de la plaque chauffante.



DIDACTICIEL VIDÉO

Comment nettoyer votre plaque chauffante Blackstone

📺 youtube.com/watch?v=-ledu9z6NPY

ÉTAPE 01 Poussez les débris alimentaires dans le bac à graisse avec une spatule ou un grattoir métallique droit.



ÉTAPE 02 Essayez le dessus de la plaque chauffante avec une serviette en papier ou un tampon à récurer Blackstone.



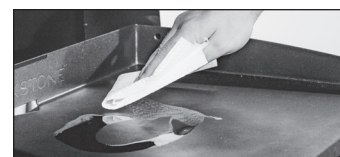
ÉTAPE 03 Appliquez quelques cuillères à soupe d'eau sur la surface de la plaque chauffante, puis raclez l'eau et les débris dans le bac à graisse. (Pour les résidus alimentaires collés, utilisez un peu de gros sel.)



ÉTAPE 04 Essayez à nouveau avec une serviette en papier et séchez complètement.



ÉTAPE 05 Appliquez une fine couche d'huile de cuisson pour maintenir l'assaisonnement et protéger le dessus de la plaque chauffante.



VIDEZ VOTRE GODET À GRAISSE

Le bac à graisse doit être retiré et vidé après chaque utilisation.

Remarque: En vous assurant que votre plaque chauffante est sur un sol plat, la graisse et l'eau s'écouleront vers l'orifice de graissage arrière.

⚠ ATTENTION

Le bac à graisse sera chaud pendant et après l'utilisation. Ne retirez pas le bac à graisse tant que la plaque chauffante n'est pas complètement refroidie.



⚠ AVERTISSEMENT

L'accumulation de graisse peut provoquer un incendie. Nettoyez toute partie de l'appareil qui devient chaude et qui subit une accumulation de graisse après chaque utilisation.

⚠ ATTENTION

Tout le nettoyage et l'entretien doivent être effectués lorsque l'appareil est froid et que tout est éteint.

- N'UTILISEZ PAS de tampon abrasif sur les zones comportant des graphiques.
- Si une brosse à poils est utilisée pour nettoyer l'une des surfaces de cuisson, assurez-vous qu'aucun poil lâche ne reste sur les surfaces de cuisson avant la cuisson.

CORPS DE L'APPAREIL:

Laver à l'eau tiède savonneuse et essuyer immédiatement avec un chiffon non abrasif. (Ne laissez pas les agents de nettoyage reposer sur une surface poreuse pendant une période prolongée.)

AVIS

N'UTILISEZ PAS de Citrisol, de nettoyants abrasifs ou de nettoyant concentré sur l'appareil. Cela peut entraîner des dommages et une défaillance des pièces.

STOCKAGE D'APPAREILS

⚠ AVERTISSEMENT

Ne déplacez pas l'appareil pendant son utilisation. Laissez l'appareil refroidir à 115°F (45°C) avant de le déplacer ou de le ranger.

Couvrez votre appareil lorsque vous le rangez à l'extérieur. Ne le rangez pas dans un endroit où l'eau risque de s'accumuler.

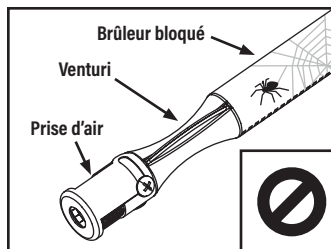


TROUVER MA COUVERTURE
BlackstoneProducts.com

NETTOYAGE DE L'ENSEMBLE BRÛLEUR

Les araignées et les insectes peuvent nicher à l'intérieur et obstruer le brûleur/ tube venturi au niveau de l'orifice.

Pour réduire le risque de retour de flamme, la procédure ci-dessous doit être suivie au moins une fois par mois lorsque les araignées sont les plus actives ou lorsque votre appareil n'a pas été utilisé pendant une période de temps.



⚠ AVERTISSEMENT

Un brûleur obstrué peut provoquer un incendie sous l'appareil.

Le brûleur doit être retiré et nettoyé chaque fois que des blocages sont détectés.



DIDACTICIEL VIDÉO

Comment nettoyer votre tube de brûleur
[youtube.com/watch?v=xKQTCrFCzf8](https://www.youtube.com/watch?v=xKQTCrFCzf8)

ÉTAPE 01 Assurez-vous que le gaz est coupé au niveau des boutons de commande et de l'alimentation en gaz.

- Retirez le dessus de la plaque chauffante.
- Détachez le brûleur.

ÉTAPE 02 Soulevez délicatement le brûleur et éloignez-le de l'orifice de la vanne de gaz.

ÉTAPE 03 Nettoyez l'intérieur du brûleur:

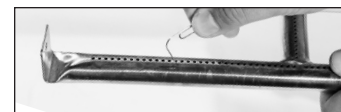
- Passez plusieurs fois une brosse à bouteille étroite dans le brûleur. (NE PAS utiliser de brosses métalliques)
- Utilisez de l'air comprimé pour souffler le brûleur. (Porter des lunettes de protection)



ÉTAPE 04 Brossez toute la surface extérieure du brûleur pour enlever la saleté.

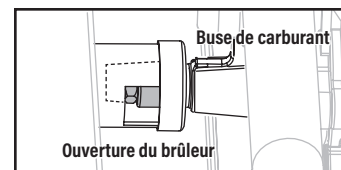


ÉTAPE 05 Nettoyez tous les ports bloqués avec un fil rigide tel qu'un trombone ouvert.



ÉTAPE 06 Remplacez soigneusement les brûleurs et rattachés-les, en faisant attention à l'emplacement de l'aiguille d'allumage.

⚠ La buse de carburant de la rampe de gaz doit être réengagée dans l'ouverture du brûleur.



DÉPANNAGE

LE BRÛLEUR NE S'ALLUME PAS

Si l'allumage ne se produit pas dans les 5 secondes:

ÉTAPE 01 Éteignez l'appareil.

ÉTAPE 02 Attendez 5 minutes.

ÉTAPE 03 Répétez la procédure d'allumage.

Si cela ne fonctionne pas, essayez d'allumer votre appareil avec une allumette pour déterminer la cause.

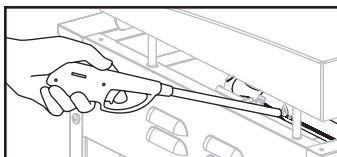
INSTRUCTIONS D'ALLUMAGE AVEC UNE ALLUMETTE

Avant de commencer, vérifiez s'il y a des fuites de gaz. Ouvrez le capot (le cas échéant).

ÉTAPE 01 Mettez les commandes sur OFF.

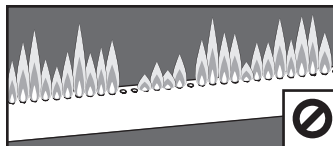
ÉTAPE 02 Allumez une allumette (ou un long briquet) d'une longueur minimale de 28 cm (11 pouces).

ÉTAPE 03 Placez la flamme à côté du brûleur.



ÉTAPE 04 Mettez les commandes sur ON pour démarrer le débit de gaz. Assurez-vous que le brûleur s'allume et reste allumé.

LE GAZ N'ATTEINT PAS LES BRÛLEURS LES FLAMMES SONT JAUNES OU IRRÉGULIÈRES



- Les flammes du brûleur sont irrégulières.
- La hauteur de la flamme diminue lorsqu'un deuxième brûleur est allumé.
- L'appareil n'atteint pas une chaleur élevée ou chauffe de manière inégale.

CAUSES POSSIBLES

La bouteille de gaz est vide ou faible.
(Non applicable s'il est connecté au gaz naturel)

Le dispositif de limitation de débit du régulateur a été déclenché.

(Non applicable pour les appareils qui n'ont pas de régulateur fixé en permanence)

LA SOLUTION

Remplissez ou remplacez la bouteille de gaz.

Réinitialisez le système de sécurité:

ÉTAPE 01 Éteignez l'appareil, fermez le robinet de la bouteille de gaz et débranchez le régulateur de la bouteille de gaz.

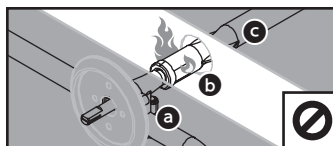
ÉTAPE 02 Attendez cinq minutes pour permettre à la pression de se dissiper, puis reconnectez le régulateur à la bouteille de gaz et ouvrez lentement le volant de la bouteille de gaz d'un à trois tours.

ÉTAPE 03 Allumez votre appareil. Si cela ne fonctionne pas, le régulateur est peut-être bloqué en position de sécurité. Contactez le service client pour obtenir des pièces de rechange.

Obstructions dans le brûleur.

Nettoyez l'ensemble du brûleur pour éliminer l'obstruction.

FLAMME DANS UN ENDROIT INATTENDU



- a** Rampe de gaz et vannes.
- b** Porte d'air/admission.
- c** Brûleur.

CAUSES POSSIBLES

Quelque chose bloque le venturi dans le brûleur.

LA SOLUTION

Contactez le service client pour éviter d'endommager l'appareil.

SI UNE ALLUMETTE NE PEUT PAS ALLUMER VOTRE APPAREIL:

CAUSES POSSIBLES

Le gaz n'atteint pas les brûleurs.

LA SOLUTION

Consultez la section « Le gaz n'atteint pas les brûleurs ».

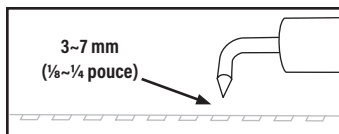
SI UNE ALLUMETTE PEUT ALLUMER VOTRE APPAREIL:

CAUSES POSSIBLES

Le fil d'allumage est mal aligné.

LA SOLUTION

Assurez-vous que l'aiguille de l'allumeur est positionnée à 3 à 7 mm (1/8 à 1/4 po) du brûleur et alignée avec les trous du brûleur.



Domage au système d'allumage.

Contactez le service client pour obtenir des pièces de rechange.

SERVICE CLIENT

CONTACTEZ-NOUS

Pour toutes questions, demandes de renseignements ou assistance client, veuillez nous contacter à l'adresse suivante:

ÉTATS-UNIS DES BLACKSTONE PRODUCTS

 BlackstoneProducts.com/support

- Veuillez nous contacter avant de retourner cet appareil à votre revendeur.
- Consultez BlackstoneProducts.com pour connaître les horaires et les langues parlées.

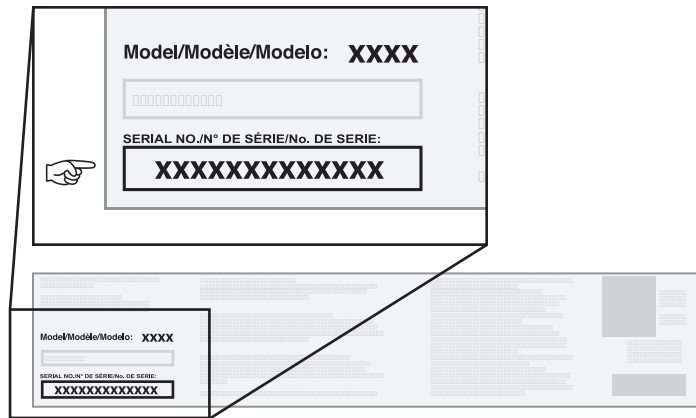
CANADA DES BLACKSTONE PRODUCTS

 BlackstoneGriddles.ca

EMPLACEMENT DU NUMÉRO DE SÉRIE

Pour activer votre garantie, vous devrez fournir le numéro de série de votre appareil.

Le numéro de série se trouve sur l'étiquette du fabricant de votre appareil. (L'étiquette du fabricant est un grand autocollant argenté apposé sur le corps de votre appareil.)



 **LIVRE DE RECETTES ÉLECTRONIQUE GRATUIT
LORS DE VOTRE INSCRIPTION**

GARANTIE UN AN

North Atlantic Imports, LLC garantit ce produit contre les défauts de matériaux et de fabrication pendant une période d'un (1) an à compter de la date d'achat originale dans des conditions normales d'utilisation. Dans la mesure où de tels défauts se produisent, North Atlantic Imports, LLC, à sa discrétion, fournira gratuitement la ou les pièces de remplacement appropriées.

En aucun cas North Atlantic Imports, LLC ne sera responsable des dommages consécutifs, indirects ou accessoires résultant de l'installation, de l'utilisation ou de la défaillance du produit.

Cette garantie NE couvre PAS:

- Frais d'inspection ou de main d'œuvre pour le remplacement de toute pièce défectueuse;
- Défauts cosmétiques qui n'affectent pas les performances ou l'intégrité du produit;
- L'usure normale;
- Dommages dus au vandalisme ; les catastrophes naturelles, y compris, mais sans s'y limiter, le vent, les tempêtes, la grêle et les inondations;
- Un assemblage, une installation ou une utilisation inappropriés;
- Décoloration ou décoloration de la finition résultant d'une exposition à des produits chimiques, à des déversements, à l'eau de piscine ou à l'eau salée;
- Corrosion/rouille.

Ce produit a été conçu pour la sécurité et la qualité. Toute modification apportée au produit d'origine pourrait compromettre son intégrité structurelle ou sa fonction et entraîner une défaillance du produit ou des blessures. En tant que tel, la modification de ce produit annule toutes les garanties.

Ce produit est destiné à un USAGE RÉSIDENTIEL UNIQUEMENT et n'est pas destiné à des fins commerciales, contractuelles ou autres fins non résidentielles. North Atlantic Imports, LLC décline toute autre représentation et garantie de quelque nature que ce soit, expresse ou implicite.

La garantie s'applique à l'acheteur d'origine et n'est pas transférable. Elle ne s'applique pas aux accessoires ou pièces non fournis avec le produit, aux achats de modèles d'exposition ou aux produits vendus en liquidation ou « tels quels ». Vous pouvez cependant bénéficier d'autres droits légaux spécifiques basés sur les lois de votre état ou pays de résidence.

Pour activer votre garantie, enregistrez votre produit sur

BlackstoneProducts.com/register

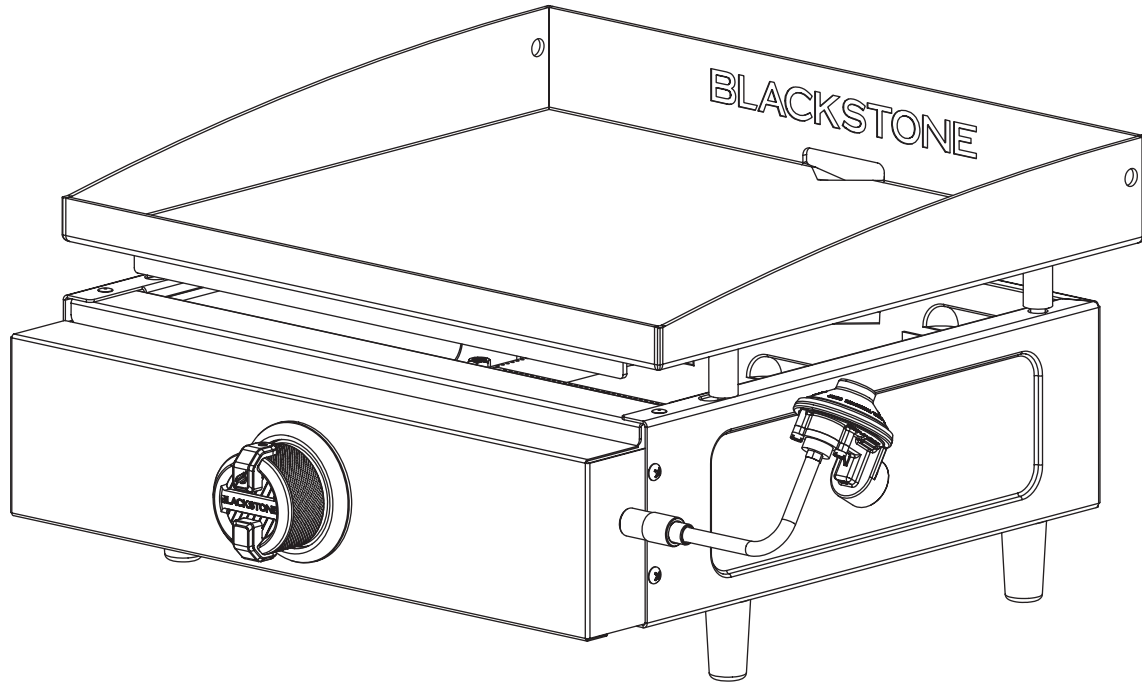
North Atlantic Imports, LLC se réserve le droit de changer ou de modifier cette garantie à tout moment.

Ce produit peut être couvert par un ou plusieurs brevets américains et/ou internationaux délivrés et peut inclure des demandes de brevet en instance.

Pour plus d'informations, rendez-vous sur: BlackstoneProducts.com/patents
Blackstone est une marque déposée de North Atlantic Imports, LLC

©2025 North Atlantic Imports. Tous droits réservés.

Distribué par North Atlantic Imports, LLC 1073 W 1700 N Logan, UT 84321 USA



MANUAL DEL PROPIETARIO

PLANCHA DE 17"

TABLA DE CONTENIDO

| | |
|---|----|
| INFORMACION DE SEGURIDAD IMPORTANTE | 02 |
| GUÍA DE MONTAJE..... | 04 |
| INSTRUCCIONES DE OPERACIÓN | 07 |
| SOLUCIÓN DE PROBLEMAS..... | 12 |
| ATENCIÓN AL CLIENTE..... | 13 |



Última versión del manual:
BlackstoneProducts.com/support

IMPORTANTE:

Este manual de instrucciones contiene información importante necesaria para el correcto montaje y uso seguro del aparato.

Lea y siga todas las advertencias e instrucciones antes de ensamblar y usar el aparato.

Siga todas las advertencias e instrucciones cuando utilice el aparato.

Guarde este manual para referencia futura.

Instalador/Ensamblador: Deje estas instrucciones con el consumidor.

CLAVE DE ALERTA DE SEGURIDAD

⚠ PELIGRO

Indica una situación peligrosa que, si NO SE evita, provocará la muerte o lesiones graves.

⚠ ATENCIÓN

Indica una situación peligrosa que, si NO SE evita, podría provocar lesiones leves o moderadas.

⚠ ADVERTENCIA

Indica una situación peligrosa que, si NO SE evita, podría provocar la muerte o lesiones graves.

AVISO

Indica información que se considera importante, pero no relacionada con peligros (por ejemplo, mensajes relacionados con daños a la propiedad).

INFORMACION DE SEGURIDAD IMPORTANTE

SEGURIDAD DE LOS APARATOS DE GAS

⚠ PELIGRO

Si huele a gas:

- Cierre el suministro de gas al aparato.
- Apague cualquier llama abierta.
- Abra el capó (si corresponde).
- Si el olor continúa, manténgase alejado del aparato y llame inmediatamente a su proveedor de gas o al departamento de bomberos.

El incumplimiento de estas instrucciones podría provocar incendios o daños a la propiedad, lesiones personales o la muerte.

⚠ ADVERTENCIA

Un cilindro de GLP que no esté conectado para su uso no debe almacenarse cerca de este ni de ningún otro aparato.

Los cilindros de GLP NO SE deben almacenar en ningún compartimento del aparato que no esté destinado a este fin. El almacenamiento no autorizado podría provocar una explosión, un incendio o lesiones personales.

LA INSTALACIÓN DEBE CUMPLIR CON LOS CÓDIGOS LOCALES.

En ausencia de códigos locales, la instalación debe cumplir con ANSI Z223.1/NFPA 54, CSA B149.1 o CSA B149.2.

⚠ PELIGRO

- NUNCA opere este aparato sin supervisión.
- Si ocurriera un incendio, manténgase alejado del aparato y llame inmediatamente a los bomberos. NO INTENTE extinguir un incendio de aceite o grasa con agua.
- NUNCA opere este aparato a menos de 25 pies (7,5 m) de cualquier líquido inflamable.

El incumplimiento de estas instrucciones podría provocar incendios o daños a la propiedad, lesiones personales o la muerte.

⚠ PELIGRO



PELIGRO DE MONÓXIDO DE CARBONO

Este aparato puede producir monóxido de carbono, que es venenoso y no tiene olor.

Usarlo en un espacio cerrado puede matarte.

NUNCA utilice este aparato en un espacio cerrado como una caravana, una tienda de campaña, un automóvil o una casa.

⚠ PELIGRO

PARA TU SEGURIDAD

No almacene ni use gasolina u otros líquidos o vapores inflamables cerca de este o cualquier otro aparato.

Los artículos inflamables pueden arder si se colocan cerca del aparato.

Mantenga el área del electrodoméstico despejada y libre de materiales combustibles, envases de aerosol, gasolina y otros vapores y líquidos inflamables.

⚠ ADVERTENCIA

La instalación, uso, ajuste, alteración, servicio, modificación o mantenimiento inadecuados pueden causar daños a la propiedad, lesiones graves o la muerte. Lea atentamente las instrucciones de instalación, funcionamiento y mantenimiento (consulte este manual) antes de instalar o realizar mantenimiento a este equipo.

- El uso de alcohol, medicamentos recetados o de venta libre puede afectar la capacidad del consumidor para ensamblar correctamente u operar de manera segura el electrodoméstico.
- Mantenga a los niños y las mascotas alejados del aparato en todo momento.
- Tenga a mano un extintor de incendios tipo BC o ABC.
- NO LO USE para fines distintos a los previstos.
- NO UTILICE este aparato como calentador.
- Sólo para uso doméstico en exteriores, no para uso comercial.



CONFIGURACIÓN DE SU ESPACIO AL AIRE LIBRE

ESTE APARATO SÓLO DEBE UTILIZARSE AL AIRE LIBRE SOBRE UNA SUPERFICIE NIVELADA.

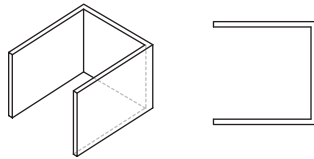
- NO USE este aparato dentro de edificios, garajes o cualquier otra área cerrada.
- NO INSTALE este aparato dentro o sobre un barco.
- NO INSTALE este aparato dentro o sobre un vehículo recreativo.

ÁREAS AL AIRE LIBRE PROTEGIDAS:

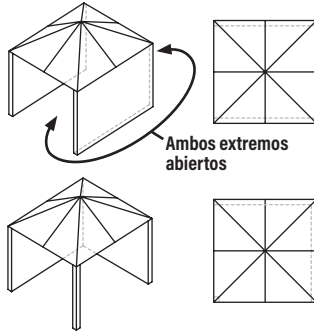
Todas las aberturas deben estar permanentemente abiertas; Las puertas correizas, las puertas de garaje, las ventanas o las aberturas con mosquitero NO SE consideran aberturas permanentes.

Se considera que un electrodoméstico está al aire libre si se instala con una protección que no exceda de:

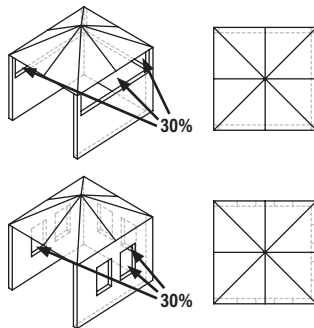
- a. Con paredes en tres lados, pero sin cubierta superior.



- b. Dentro de un recinto parcial que incluye una cubierta superior y no más de dos paredes laterales. Las paredes laterales pueden ser paralelas, como en un corredor, o en ángulo recto entre sí.



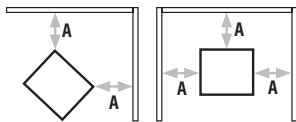
- c. Dentro de un recinto parcial que incluye una cubierta superior y tres paredes laterales, siempre que el 30% o más de la periferia horizontal del recinto esté permanentemente abierta.



La temperatura ambiente mínima de funcionamiento es 0°F (-18°C).

ANTENGA LAS DISTANCIAS ADECUADAS DEL MATERIAL COMBUSTIBLE:

- NO USE este electrodoméstico sobre o debajo de ningún apartamento o balcón o terraza de condominio.
- No obstruya el flujo de aire de combustión y ventilación.



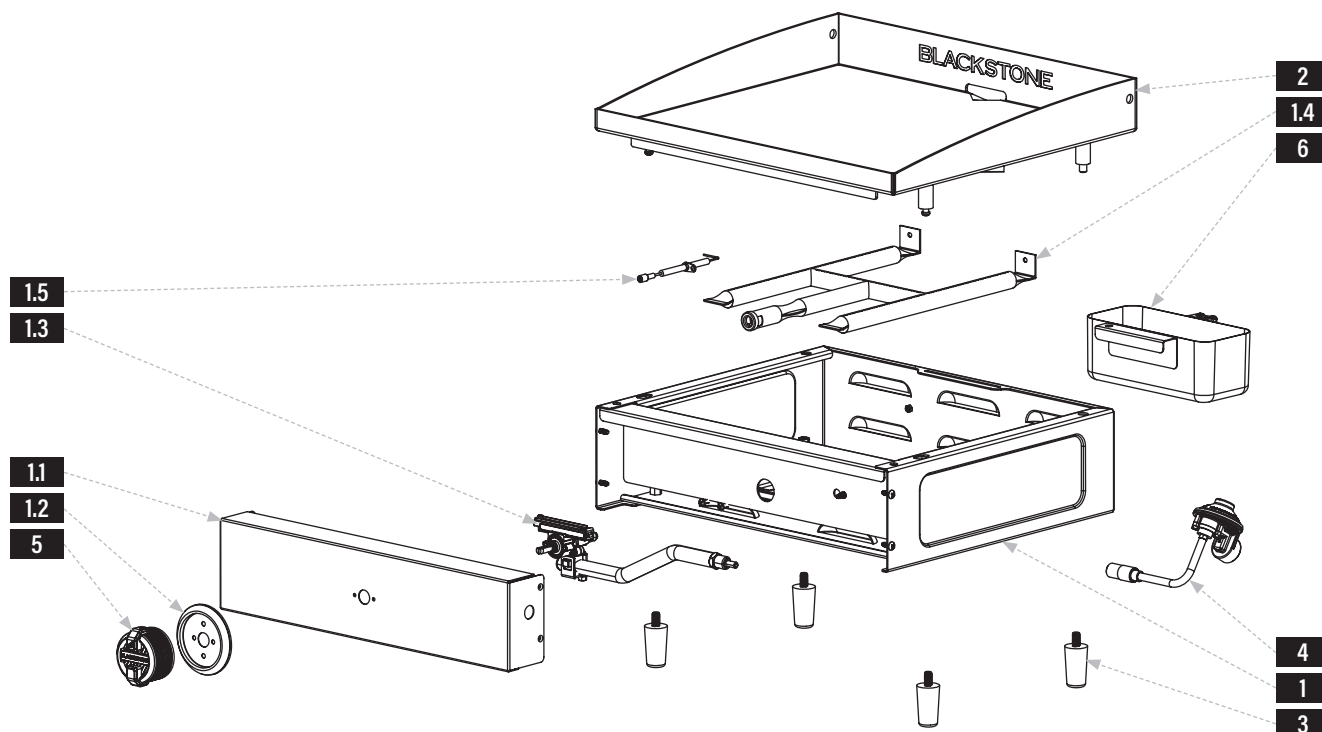
NO OPERE este aparato a menos de 36 pulgadas (1 m) desde los lados y la parte trasera del aparato hasta una construcción combustible.

A = 36 pulgadas (1 m)

- NO UTILICE este aparato bajo construcciones combustibles elevadas.

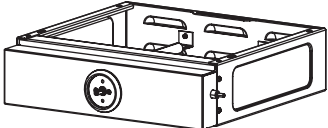
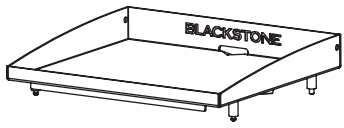

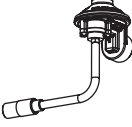

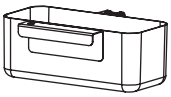
GUÍA DE MONTAJE

VISTA EN DESPIECE ORDENADO



LISTA DE PARTES

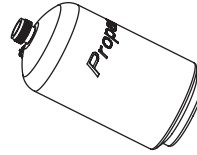
| PIEZAS | CTD |
|------------------------------------|-----|
| 1.1 Panel de control | 1 |
| 1.2 Bisel de la perilla de control | 1 |
| 1.3 Riel de gas | 1 |
| 1.4 Quemador H | 1 |
| 1.5 Aguja de encendido | 1 |

| | | | |
|---|---|---|--|
| <p>1 Cuerpo (1 pieza)</p>  | <p>2 Plancha superior (1 pieza)</p>  | | |
| <p>3 Pies (4 piezas)</p>  | <p>4 Regulador (1 pieza)</p>  | <p>5 Perilla de control (1 pieza)</p>  | <p>6 Copa de grasa (1 pieza)</p>  |

INSTRUCCIONES DE MONTAJE

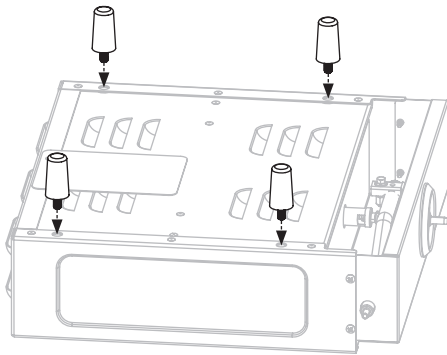
Encuentre un área grande y limpia para ensamblar su electrodoméstico.
 Retire todo el material de embalaje antes de ensamblar. (Es posible que tenga hardware adicional o de repuesto después del ensamblaje.)

⚠ ATENCIÓN
 Bordes afilados. Use guantes durante el montaje.

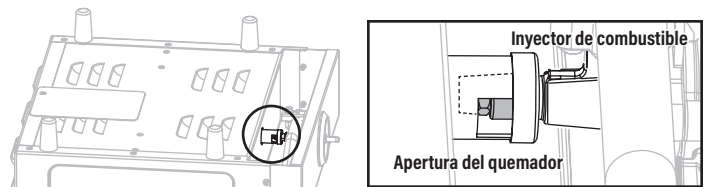


**NECESARIO PARA EL USO
 (NO INCLUIDO):**
 Cilindro de GLP de 1 lb (453 g)

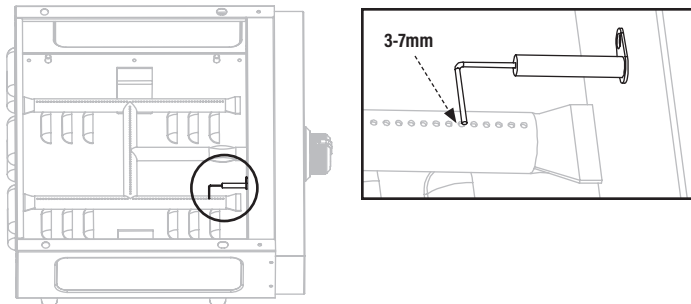
PASO 01 Retire el cuerpo de la plancha del embalaje y colóquelo boca abajo. Atornille las cuatro (4) patas de la plancha en la parte inferior del cuerpo de la plancha.



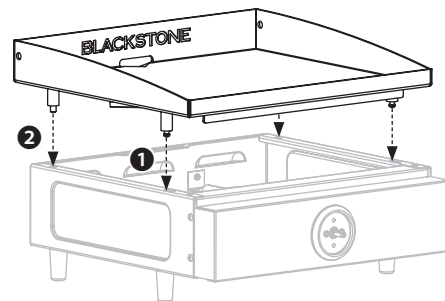
PASO 02 Asegúrese de que la boquilla de combustible esté alojada dentro de la abertura del quemador.



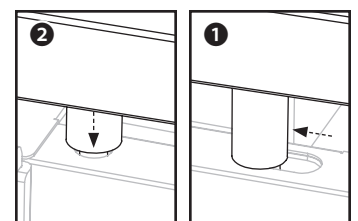
PASO 03 Coloque la plancha sobre sus pies. Asegúrese de que la aguja de encendido esté colocada a una distancia de 3 a 7 mm del tubo del quemador, colocada sobre el orificio del quemador.



PASO 04 Coloque la parte superior de la parrilla en el cuerpo principal alineando los 4 pasadores con los orificios del cuerpo.



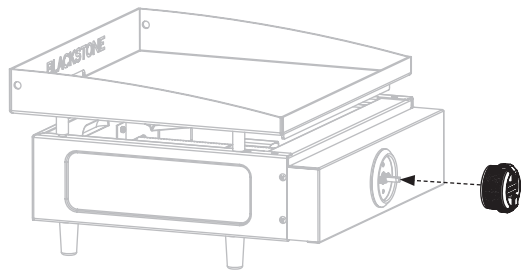
- 1** Coloque los dos pasadores delanteros en los orificios de bloqueo delanteros y empuje la parte superior de la parrilla hacia atrás.
- 2** Luego, coloque los dos pasadores traseros en los orificios traseros.



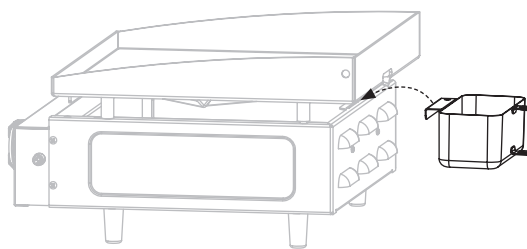
ESPAÑOL



PASO 05 Instale la perilla de control empujándola en su lugar en la posición APAGADO.

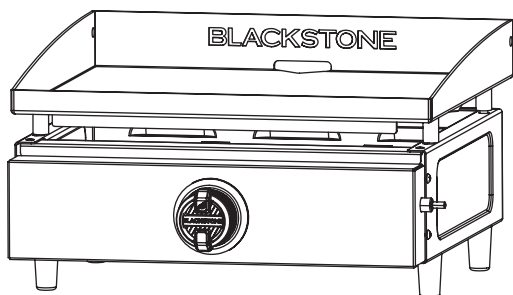


PASO 06 Cuelgue el recipiente para grasa en la ranura en la parte trasera del cuerpo de la plancha.



ESPAÑOL

PASO 07 Proceda a las **INSTRUCCIONES DE OPERACIÓN**.



AVISO

Coloque el aparato sobre una superficie resistente al calor y a las llamas mientras esté en uso.



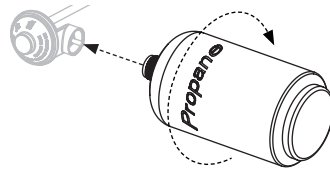
INSTRUCCIONES DE OPERACIÓN

CONECTAR EL CILINDRO DE GLP

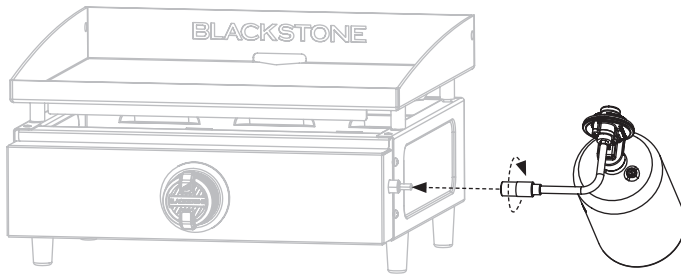
Utilice únicamente un cilindro de 1 lb (453 g) y 4 x 8 pulgadas (10 x 20 cm).

PASO 01 Enrosque el cilindro de GLP en el regulador de gas, girando el cilindro en el sentido de las agujas del reloj.

El regulador puede emitir un zumbido o silbido durante el funcionamiento. Esto no afectará la seguridad ni el uso del aparato.



PASO 02 Inserte el regulador y el cilindro de GLP en la línea de gas del aparato. Gire el collar del regulador en el sentido de las agujas del reloj para asegurarlo a la línea de gas.



SEGURIDAD DE CILINDROS DE GLP

- El cilindro de suministro de GLP que se utilizará debe estar construido y marcado de acuerdo con las especificaciones para cilindros de gas LP, Departamento de Transporte de EE. UU. (DOT) o el Estándar para Cilindros, Esferas y Tubos para el Transporte de Mercancías Peligrosas, CAN/CSA-B339.
- Solo se deben usar cilindros de GLP marcados como "propano".
- El cilindro utilizado, si tiene una capacidad de propano superior a 2,2 lb (1,00 kg), debe incluir un collar para proteger la válvula del cilindro.
- El sistema de suministro de cilindros de GLP debe estar preparado para la extracción de vapor.

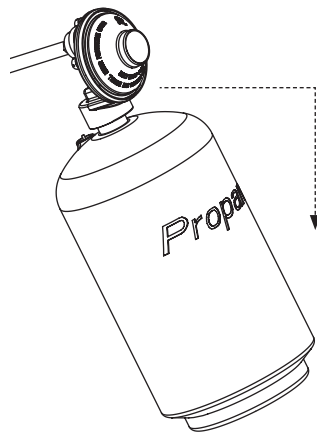
Mantenga siempre los cilindros de GLP nuevos en posición vertical durante su uso, transporte o almacenamiento.

Asegúrese de que el cilindro de GLP esté colocado debajo del regulador. (Si el nivel de líquido del propano está por encima del regulador, el regulador se congelará).

SI LA FORMACIÓN DE ESCARCHA PERSISTE DESPUÉS DE QUE EL CILINDRO ESTÉ EN EL ÁNGULO CORRECTO:

PASO 01 Apague el aparato y desconecte el cilindro de GLP inmediatamente. Esto indica un problema con el cilindro de GLP y no debe usarse en ningún producto.

PASO 02 Devuelva el cilindro de GLP al proveedor.



SEGURIDAD DEL REGULADOR

- Use este aparato, tal como lo compró, solo con el conjunto de gas y válvula/regulador suministrado. NO UTILICE accesorios de conexión rápida ni otros complementos distintos de los diseñados y autorizados para su uso por Blackstone.
- NO cruce (fuerce en un ángulo inadecuado) la conexión entre el cilindro de GLP y el regulador.
- Si no puede conectar el regulador, no utilice el regulador.

El regulador debe ser reemplazado por un modelo aprobado por Blackstone por un distribuidor autorizado con licencia profesional.

INSTRUCCIONES DE PRUEBA DE FUGAS

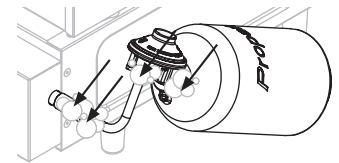
PASO 01 Gire las perillas de control a APAGADO.

PASO 02 Conecte el cilindro de GLP al regulador. Conecte el regulador al aparato.

PASO 03 Prepare una solución de detección de fugas ⁹/₁₀ mezclando 1 ½ cucharada de jabón de manos o de platos con 1 taza de agua.

PASO 04 Use un pincel limpio para aplicar la solución para detectar fugas en las áreas de unión de las válvulas y el regulador.

PASO 05 Si se detectan fugas (lo que se indica mediante el crecimiento de burbujas), cierre inmediatamente el gas y vuelva a ajustar las conexiones.



⚠ ADVERTENCIA

Si NO SE pueden detener las fugas, NO INTENTE repararlas. El regulador debe ser reemplazado por un modelo aprobado por Blackstone por un distribuidor autorizado con licencia profesional.

DESCONECTAR EL CILINDRO DE GLP

El almacenamiento del aparato en interiores solo está permitido si el cilindro de GLP está desconectado y retirado del aparato.

PASO 01 Asegúrese de que la(s) perilla(s) de control estén en la posición APAGADO.

PASO 02 Una vez que el aparato se haya enfriado, desconecte el regulador de la línea de gas desenroscando el collar.

PASO 03 Desenrosque el cilindro de GLP del regulador.

PASO 04 Coloque la tapa contra el polvo en la salida de la válvula del cilindro de GLP cuando el cilindro no esté en uso.

Instale únicamente el tipo de tapa antipolvo en la salida de la válvula del cilindro que se proporciona con la válvula del cilindro. Otros tipos de tapas o tapones pueden provocar fugas de propano.

ALMACENAMIENTO DE CILINDROS DE GLP

⚠ ADVERTENCIA

No guarde un cilindro de GLP de repuesto debajo, cerca o dentro de este aparato.
• No llene un cilindro de GLP más allá del 80 % de su capacidad. Si NO SE sigue exactamente la información anterior, se puede producir un incendio que cause la muerte o lesiones graves.

El cilindro de GLP debe estar desconectado cuando el aparato no esté en uso.

INSTRUCCIONES DE ENCENDIDO

1. VÁLVULAS DE RETENCIÓN

⚠ Asegúrese de que el gas esté APAGADO antes de verificar las válvulas del aparato. Conecte/encienda el gas después de verificar las válvulas.

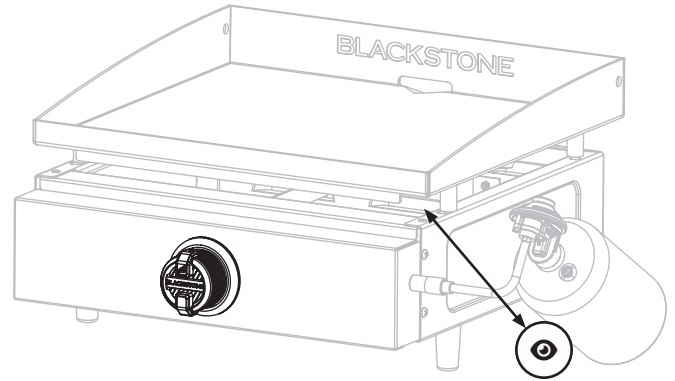
Abra la tapa/capó antes de encender el aparato, según corresponda.

PASO 01 Gire todas las perillas de control a la posición de apagado ①.

PASO 02 Presione las perillas de control y suéltelas.

PASO 03 Gire las perillas de control a la posición BAJA y luego gírelas nuevamente a la posición APAGADA.

Si las perillas de control no vuelven a su posición original o no giran con suavidad, comuníquese con el servicio de atención al cliente. (Será necesario reemplazar el conjunto de la válvula antes de usar el aparato).

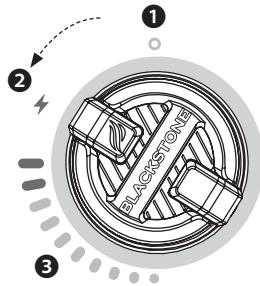


2. ENCENDIDO PIEZOELÉCTRICO DE LA PLANCHA

① Presione la perilla de control para que comience a fluir el gas.

② Gire la perilla de control en sentido antihorario para activar el motor de arranque.

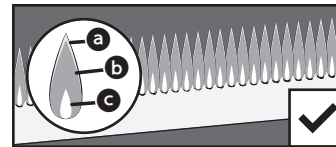
③ Ajuste la temperatura al nivel deseado.



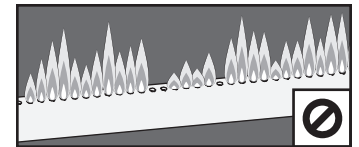
3. SIEMPRE VERIFIQUE LA LLAMA DEL QUEMADOR ANTES DE USAR

↔ Distancia de visualización: no más cerca de 18 in (46 cm).

PATRÓN DE LLAMA SALUDABLE



AMARILLO O IRREGULAR



a Párpadeos de color amarillo. **b** Azul oscuro. **c** Azul vibrante.

- Cuando la temperatura está configurada en ALTA, las llamas deben ser más grandes que cuando la temperatura está configurada en BAJA.
- Si las llamas son amarillas, irregulares o están en una ubicación inesperada, apague el aparato y consulte el capítulo de Solución de problemas.

⚠ ADVERTENCIA

Si el quemador NO SE enciende con la válvula de suministro de gas abierta, el gas seguirá saliendo del quemador y podría encenderse accidentalmente/inadvertidamente con riesgo de lesiones.

Si NO SE produce el encendido en 5 segundos:

1. Apague el aparato.
2. Espere 5 minutos.
3. Repita el procedimiento de encendido.

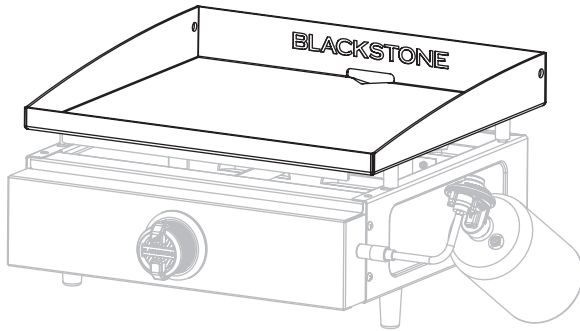
Si el quemador NO SE enciende, apague el aparato y consulte el capítulo de Solución de problemas.

⚠ ATENCIÓN

Si su aparato tiene una cubierta/tapa, dejarla cerrada con los quemadores a temperatura baja durante más de 10 minutos puede provocar un sobrecalentamiento y quemaduras. La cubierta/tapa/cubierta DEBE estar abierta cuando el aparato esté en uso.



CÓMO UTILIZAR LA PLANCHA



LAVADO DE LA PARTE SUPERIOR DE LA PLANCHA ANTES DEL PRIMER USO

AVISO

El jabón arruinará una plancha experimentada. Esta es la única vez que debe usar jabón en la superficie de cocción de la plancha.

PASO 01 Lave la superficie de cocción de la plancha con agua caliente y jabón.

PASO 02 Enjuague y seque completamente.

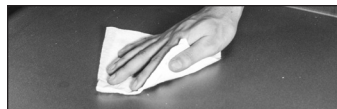
INSTRUCCIONES PARA CONDIMENTAR LA PLANCHA



VIDEOTUTORIAL

Cómo sazonar una nueva plancha Blackstone
[youtube.com/watch?v=VspmDVnj2pl&t=3s](https://www.youtube.com/watch?v=VspmDVnj2pl&t=3s)

PASO 01 Limpie cualquier residuo de la parte superior de la plancha.

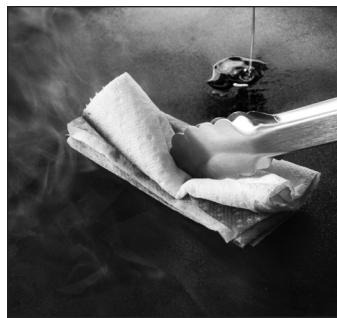


PASO 02 Configura tu plancha a fuego alto hasta que la parte superior de la plancha cambie de color. (~10 minutos)

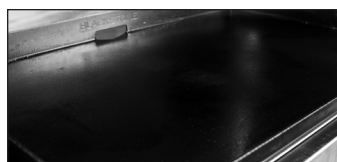


PASO 03 Use pinzas para sostener una toalla de papel o un paño de algodón y extienda 2-3 cucharadas de su aceite de condimento en toda la parte superior de la plancha.

Cuando sazone la parte superior de su plancha, recuerde usar una capa delgada y uniforme de aceite: cuanto más delgada sea la capa de aceite, más fácil será quemarla.



PASO 04 La parte superior de la plancha está lista para otra capa de aceite cuando deja de humear. Repita el PASO 03 3-4 veces, o hasta que la superficie de la plancha esté negra.



AVISO

No guarde ningún artículo a menos de 8 cm (3 pulgadas) de la parte superior de la plancha mientras esté en uso.

¿QUÉ ACEITE ES MEJOR USAR?

- Blackstone Seasoning and Cast Iron Conditioner.
- Cualquier aceite de cocina de origen vegetal.
- Grasa animal fundida sin aditivos.



ATENCIÓN

Deseche adecuadamente los trapos/toallas utilizados para esparcir el aceite sobre la plancha para evitar incendios que puedan ocurrir debido a la combustión espontánea.

En las condiciones adecuadas, el aceite residual en trapos o toallas puede oxidarse mucho después de haber sido retirado de una fuente de calor. El proceso de oxidación en sí produce calor que, si NO SE disipa, puede acumularse y causar que los trapos/toallas y el material circundante se enciendan.

SOLUCIÓN DE PROBLEMAS DE CONDIMENTOS

Hay un residuo marrón en la superficie de la plancha:

POSIBLES CAUSAS

- Se usó demasiado aceite.
- Apagaste la calefacción demasiado pronto.

SOLUCIÓN

PASO 01 Encienda su plancha a temperatura alta y déjela calentar durante 10-15 minutos.

PASO 02 Raspe la mayor cantidad de aceite espesado y parcialmente cocido que pueda.

PASO 03 Vuelva a sazonar con una capa muy fina de aceite.

Los bordes de la superficie de la plancha no son negros:

Después de usar su plancha para cocinar varias veces, el condimento se nivelará y mejorará.

PREVENCIÓN DEL ÓXIDO

Use su plancha con frecuencia. Cada vez que cocina, está agregando condimentos, lo que hace que la oxidación sea menos probable.

AVISO

Si vive en un clima húmedo o costero, su plancha puede requerir curaciones más frecuentes entre usos.

Si aparece óxido en la superficie de la plancha, frótelo con lana de acero, papel de lija de grano bajo o **Blackstone Pumice Stone** y vuelva a secar la superficie.



VIDEOTUTORIAL

Recuperación de la tapa de su plancha Blackstone
[youtube.com/watch?v=thPE2lgnSil](https://www.youtube.com/watch?v=thPE2lgnSil)

⚠ ATENCIÓN

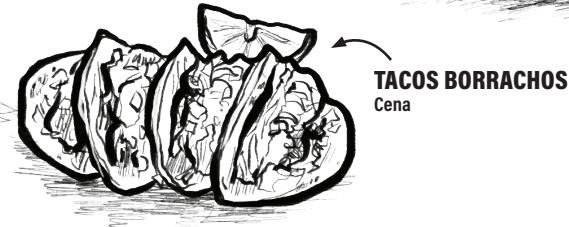
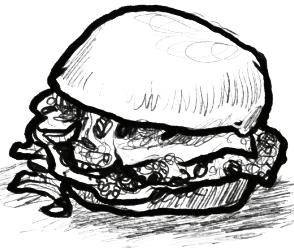
Este aparato estará caliente durante y después de su uso. Utilice utensilios de mango largo y guantes de cocina/guantes protectores cuando manipule piezas potencialmente calientes para protegerse contra quemaduras y salpicaduras.

RECETAS Y CONSEJOS DE COCINA

-  BlackstoneProducts.com/recipes
-  youtube.com/BlackstoneGriddles
-    [@blackstoneproducts](https://blackstoneproducts)



HAMBURGUESA DE CEBOLLA FRITA DE OKLAHOMA
Almuerzo



TACOS BORRACHOS
Cena

CÓMO LIMPIAR LA PLANCHA

Limpie la parte superior de la plancha después de cada uso, mientras aún esté caliente.

- NO USE jabón en la parte superior de la plancha. Esto destruirá el condimento de la plancha.



VIDEOTUTORIAL

HCómo limpiar su plancha Blackstone
 youtube.com/watch?v=-ledu9z6NPY

PASO 01 Empuje los restos de comida sueltos en el recipiente para la grasa con una espátula o un raspador de metal recto.



PASO 02 Limpie la parte superior de la plancha con una toalla de papel o un estropajo Blackstone.



PASO 03 Aplique unas cuantas cucharadas de agua a la superficie de la plancha, luego raspe el agua y los residuos en el recipiente para la grasa. (Para los residuos de comida pegados, use un poco de sal gruesa).



PASO 04 Limpie nuevamente con una toalla de papel y seque completamente.



PASO 05 Aplique una fina capa de aceite de cocina para mantener la sazón y proteger la parte superior de la plancha.



VACÍA TU VASO DE GRASA

El recipiente para la grasa debe retirarse y vaciarse después de cada uso.

Nota: Asegurarse de que la plancha esté en un terreno nivelado permitirá que la grasa y el agua se escurran hacia el corte de grasa trasero.

⚠ ATENCIÓN

La taza de grasa estará caliente durante y después del uso. NO RETIRE la taza de grasa hasta que la plancha se haya enfriado por completo.

ESPAÑOL



⚠ ADVERTENCIA

La acumulación de grasa puede provocar un incendio. Limpie cualquier parte del aparato que se caliente y experimente acumulación de grasa después de cada uso.

⚠ ATENCIÓN

Toda la limpieza y el mantenimiento deben llevarse a cabo cuando el aparato esté frío y todo esté APAGADO.

- NO USE una almohadilla abrasiva en áreas con gráficos.
- Si se usa un cepillo de cerdas para limpiar cualquiera de las superficies de cocción, asegúrese de que no queden cerdas sueltas en las superficies de cocción antes de cocinar.

CUERPO DEL APARATO:

Lave con agua jabonosa tibia y seque inmediatamente con un paño no abrasivo. (No permita que los agentes de limpieza descansen sobre ninguna superficie porosa durante un período prolongado).

AVISO

NO UTILICE Citrisol, limpiadores abrasivos o un limpiador concentrado en el aparato. Esto puede resultar en daños y fallas en las piezas.

ALMACENAMIENTO DE ELECTRODOMÉSTICOS

⚠ ADVERTENCIA

No mueva el aparato cuando esté en uso. Deje que el aparato se enfríe a 115°F (45°C) antes de moverlo o almacenarlo.

Cubra el aparato cuando lo guarde al aire libre. No lo guarde en un lugar donde pueda acumularse agua.

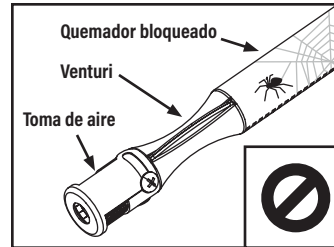


ENCUENTRA MI PORTADA
BlackstoneProducts.com

LIMPIEZA DEL CONJUNTO DEL QUEMADOR

Las arañas y los insectos pueden anidar dentro y obstruir el quemador/tubo venturi en el orificio.

Para reducir la posibilidad de un incendio por retroceso, se debe seguir el procedimiento a continuación al menos una vez al mes, cuando las arañas están más activas o cuando su electrodoméstico NO SE ha utilizado durante un período de tiempo.



⚠ ADVERTENCIA

Un quemador obstruido puede provocar un incendio debajo del aparato. El quemador debe retirarse y limpiarse siempre que se encuentren obstrucciones.



VIDEOTUTORIAL

Cómo limpiar el tubo de su quemador
[youtube.com/watch?v=xKQTCrFCzf8](https://www.youtube.com/watch?v=xKQTCrFCzf8)

PASO 01 Asegúrese de que el suministro de gas esté APAGADO en las perillas de control.

- Retire la parte superior de la plancha.
- Retire el quemador.

PASO 02 Levante con cuidado el quemador y retírelo del orificio de la válvula de gas.

PASO 03 Limpie el interior del quemador:

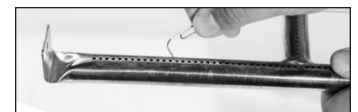
- Pase un cepillo estrecho para botellas a través del quemador varias veces. (NO use cepillos de alambre)
- Utilice aire comprimido para apagar el quemador. (Use protección para los ojos)



PASO 04 Cepille toda la superficie exterior del quemador para eliminar la suciedad.

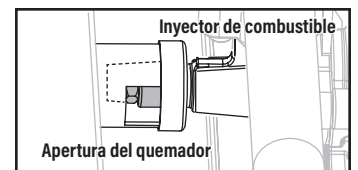


PASO 05 Limpie los puertos bloqueados con un alambre rígido, como un sujetapapeles abierto.



PASO 06 Vuelva a colocar con cuidado los quemadores y vuelva a colocarlos, prestando atención a la ubicación de la aguja de encendido.

⚠ La boquilla de combustible del riel de gas debe volver a conectarse dentro de la abertura del quemador.



SOLUCIÓN DE PROBLEMAS

EL QUEMADOR NO SE ENCIENDE

Si NO SE produce el encendido en 5 segundos:

PASO 01 Apague el aparato.

PASO 02 Espere 5 minutos.

PASO 03 Repita el procedimiento de encendido.

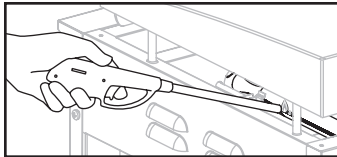
Si esto no funciona, intente encender el aparato con un fósforo para determinar la causa.

INSTRUCCIONES PARA ENCENDER EL APARATO CON UN FÓSFORO

Antes de comenzar, verifique que no haya fugas de gas. Abra la capota (si corresponde).

PASO 01 Apague los controles.

PASO 02 Encienda una cerilla (o un encendedor largo) de no menos de 28 cm (11 pulgadas) de largo.



PASO 03 Coloque la llama junto al quemador.

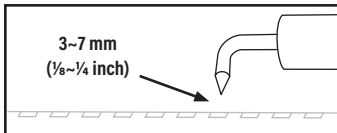
PASO 04 Encienda los controles para que comience a fluir el gas. Asegúrese de que el quemador se encienda y permanezca encendido.

SI UN FÓSFORO NO PUEDE ENCENDER EL APARATO:

| POSIBLES CAUSAS | SOLUCIÓN |
|-----------------------------------|---|
| El gas no llega a los quemadores. | Consulte la sección "El gas no llega a los quemadores". |

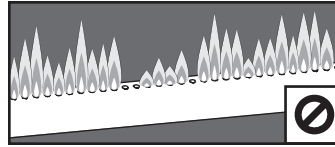
SI UN FÓSFORO PUEDE ENCENDER EL APARATO:

| POSIBLES CAUSAS | SOLUCIÓN |
|---|--|
| El cable del encendedor está desalineado. | Asegúrese de que la aguja del encendedor esté ubicada a 3~7 mm (1/8~1/4 de pulgada) de distancia del quemador y alineada con los orificios del quemador. |



| | |
|----------------------------------|---|
| Daño en el sistema de encendido. | Comuníquese con el servicio de atención al cliente para obtener piezas de repuesto. |
|----------------------------------|---|

EL GAS NO LLEGA A LOS QUEMADORES LAS LLAMAS SON AMARILLAS O IRREGULARES



- Las llamas del quemador son inconsistentes.
- La altura de la llama disminuye cuando se enciende un segundo quemador.
- El aparato no alcanza una temperatura alta o caliente de manera desigual.

POSIBLES CAUSAS

El cilindro de gas está vacío o tiene poca carga.
(No corresponde si está conectado a gas natural)

Se activó el dispositivo limitador de flujo del regulador.
(No corresponde para aparatos que no tienen un regulador fijado de manera permanente)

SOLUCIÓN

Rellene o reemplace el cilindro de gas.

Reinicie el sistema de seguridad:

PASO 01 Apague el aparato, cierre la válvula del cilindro de gas y desconecte el regulador del cilindro de gas.

PASO 02 Espere cinco minutos para que se disipe la presión, luego vuelva a conectar el regulador al cilindro de gas y abra lentamente la rueda manual del cilindro de gas una a tres vueltas.

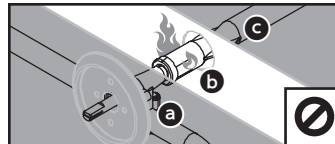
PASO 03 Encienda el aparato.

Si esto no funciona, el regulador puede estar atascado en la posición de seguridad. Comuníquese con el servicio de atención al cliente para obtener piezas de repuesto.

Obstrucciones en el quemador.

Limpe el conjunto del quemador para eliminar la obstrucción.

LLAMA EN UNA UBICACIÓN INESPERADA



- a** Riel y válvulas de gas.
- b** Entrada/compuerta de aire.
- c** Quemador.

POSIBLES CAUSAS

Algo está bloqueando el venturi en el quemador.

SOLUCIÓN

Comuníquese con el servicio de atención al cliente para evitar dañar el aparato.



ATENCIÓN AL CLIENTE

CONTACTA CON NOSOTROS

Para cualquier pregunta, consulta o asistencia al cliente, contáctenos a:

ESTADOS UNIDOS DE BLACKSTONE PRODUCTS

BlackstoneProducts.com/support

- Comuníquese con nosotros antes de devolver este aparato a su distribuidor.
- Consulte BlackstoneProducts.com para conocer los horarios y los idiomas que se hablan.

CANADÁ DE BLACKSTONE PRODUCTS

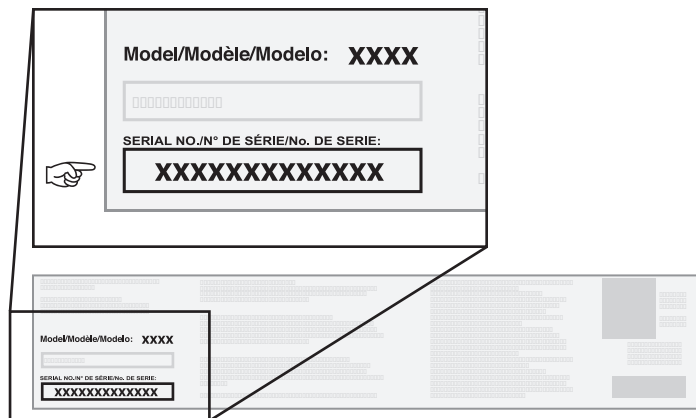
BlackstoneGriddles.ca

UBICACIÓN DEL NÚMERO DE SERIE

Para habilitar su garantía, deberá proporcionar el número de serie de su electrodoméstico.

El número de serie se puede encontrar en la etiqueta del fabricante de su electrodoméstico.

(La etiqueta del fabricante es una etiqueta plateada grande que se encuentra en el cuerpo de su electrodoméstico).



LIBRO DE COCINA ELECTRÓNICO GRATUITO AL REGISTRARSE

GARANTÍA DE UN AÑO

North Atlantic Imports, LLC garantiza este producto contra defectos de materiales y mano de obra por un período de un (1) año a partir de la fecha original de compra en condiciones de uso normal. En la medida en que se produzcan dichos defectos, North Atlantic Imports, LLC., a su discreción, proporcionará las piezas de repuesto adecuadas sin coste alguno.

En ningún caso North Atlantic Imports, LLC será responsable de los daños consecuentes, indirectos o incidentales que resulten de la instalación, el uso o la falla del producto.

Esta garantía NO cubre:

- Costos de inspección o mano de obra para el reemplazo de cualquier pieza defectuosa;
- Defectos cosméticos que no afectan el rendimiento o la integridad del producto;
- Uso y desgaste normal;
- Daños por vandalismo; actos de la naturaleza, incluidos, entre otros, viento, tormentas, granizo, inundaciones;
- Montaje, instalación o uso inadecuado;
- Decoloración o decoloración del acabado como resultado de la exposición a productos químicos, derrames, piscina o agua salada;
- Corrosión/óxido.

Este producto ha sido diseñado para brindar seguridad y calidad. Cualquier modificación realizada al producto original podría comprometer su integridad estructural o su función y podría provocar fallas en el producto o lesiones personales. Como tal, modificar este producto anula todas las garantías.

Este producto es SOLO PARA USO RESIDENCIAL y no para fines comerciales, contractuales ni otros fines no residenciales. North Atlantic Imports, LLC renuncia a todas las demás representaciones y garantías de cualquier tipo, expresas o implícitas.

La garantía se aplica al comprador original y no es transferible. NO SE aplica a accesorios o piezas que NO SE suministran con el producto, a compras de modelos de exhibición ni a productos que se venden en liquidación o "tal cual". Sin embargo, es posible que tenga otros derechos legales específicos según las leyes de su estado o país de residencia específico.

Para activar su garantía, registre su producto en

BlackstoneProducts.com/register

North Atlantic Imports, LLC se reserva el derecho de cambiar o modificar esta garantía en cualquier momento.

ESPAÑOL

Este producto puede estar cubierto por una o más patentes estadounidenses y/o internacionales emitidas y puede incluir solicitudes de patentes pendientes. Para obtener más información, visite: BlackstoneProducts.com/patents

Blackstone es una marca registrada de North Atlantic Imports, LLC

©2025 North Atlantic Imports. Todos los derechos reservados.

Distribuido por North Atlantic Imports, LLC 1073 W 1700 N Logan, UT 84321 EE. UU.

Esta página se dejó en blanco intencionalmente



Esta página se dejó en blanco intencionalmente

