



Graze® | K-22060

Semi-professional kitchen sink faucet with three-function sprayhead

Features

- Semi-professional kitchen faucet with finish-matched easy-clean hose cover
- Switch-Grip™ sprayhead rotates in 90-degree increments. Face buttons in the direction you prefer
- Three-function pull-down sprayhead with touch-control allows you to switch between stream, Sweep® spray and BerrySoft® spray
- Sweep® spray features specially angled nozzles that form a wide, powerful blade of water to sweep your dishes and sink clean
- BerrySoft® is a light spray ideal for washing hands, rinsing delicate dishware, and prepping fruits and vegetables
- DockNetik® magnetic docking system securely locks sprayhead into place when not in use
- 24" high-arch 360° rotating swing spout offers vertical clearance for tall cookware and pitchers
- Swing spout provides greater coverage area in sink for easier food prep and cleanup
- 1.5 gpm (5.7 lpm) maximum flow rate at 60 psi (4.14 bar)
- Single lever handle makes adjusting water temperature easy.
- Temperature memory allows faucet to be turned on and off at the temperature set during prior usage
- MasterClean™ sprayface features an easy-to-clean surface that withstands mineral buildup and maximizes spray performance
- KOHLER® ceramic disc valves exceed industry longevity standards for a lifetime of durable performance



Sustainability



Available Colors/Finishes

Color tiles intended for reference only.

- CP Polished Chrome
- SN Vibrant Polished Nickel
- VS Vibrant Stainless
- BV Vibrant Brushed Bronze
- BL Matte Black
- 2MB Vibrant Brushed Moderne Brass



1-800-4KOHLER (1-800-456-4537)

Kohler Co. reserves the right to make revisions without notice to product specifications.
For the most current specification sheet, go to www.kohler.com USA or www.kohler.ca Canada.
3-27-2026 15:16 - US-CA

THE BOLD LOOK
OF **KOHLER**

Codes/Standards

ADA, CSA B651 compliant when installed to the specific requirements of these regulations.

ADA CSA B651

ASME A112.18.1/CSA B125.1
NSF/ANSI/CAN 372
NSF/ANSI/CAN 61
DOE - Energy Policy Act 1992
California Energy Commission (CEC)
ADA
ICC/ANSI A117.1
CSA B651

Technical Information

All product dimensions are nominal.

Handle

Handle Style/ Type: Lever
Handle Clearance: 5-1/4" (133 mm)

Spout

Spout Reach: 10" (254 mm)

Flow Rate

Faucet Flow Rate: 1.5 gpm (5.7 l/min)

Valves

Included Valves: Ceramic disc, Thermostatic, Volume Control

Material

- Premium metal construction for durability and reliability
 - KOHLER finishes resist corrosion and tarnishing
-

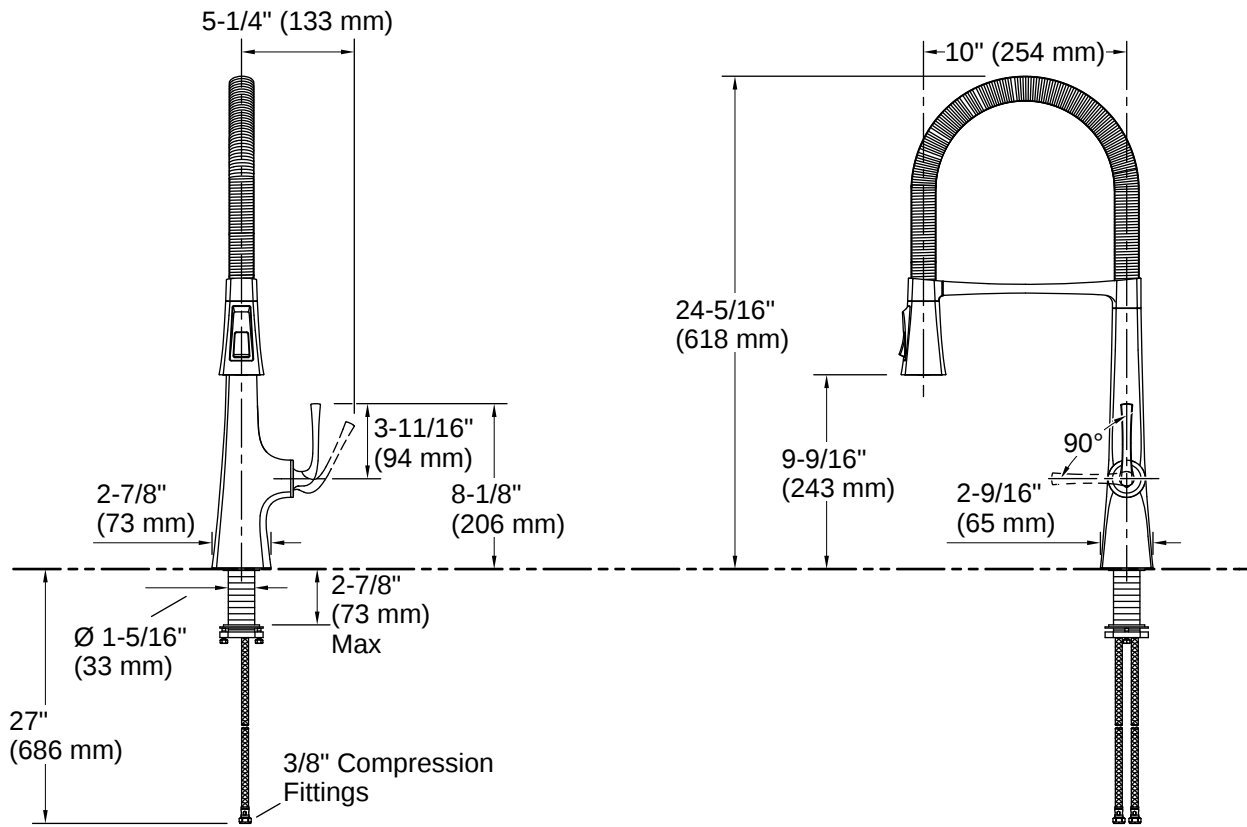
Warranty

See website for detailed warranty information.

KOHLER® Faucet Lifetime Limited Warranty



1-800-4KOHLER (1-800-456-4537)
Kohler Co. reserves the right to make revisions without notice to product specifications.
For the most current specification sheet, go to www.kohler.com USA or www.kohler.ca Canada.
3-27-2026 15:16 - US-CA



Installation

- Deck-mount
- Single-hole installation (three-hole escutcheon sold separately)
- Flexible supply lines simplify installation

Installation Notes

Install this product according to the installation instructions.

ADA compliant for faucet handles only.
 ADA compliant for faucet handles only
 ADA, CSA B651 compliant when installed to the specific requirements of these regulations.

