

# SWING HOOK (W/FRICTION)

**TEST 4**  
P.588

**LOAD CAPACITY**  
10 kg  
22 lbs

**4x20**  
STAINLESS

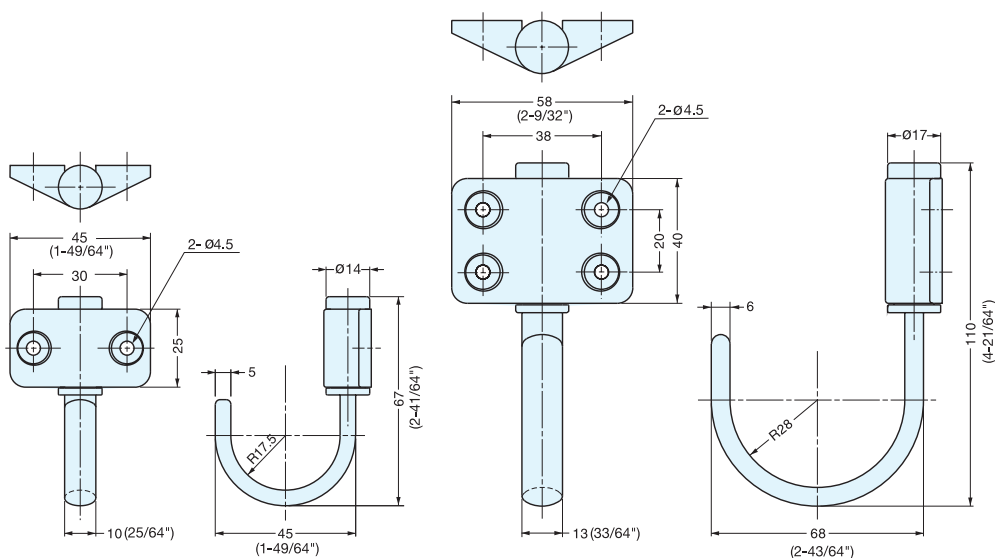
**STAINLESS 304 STEEL**

**JF-T**



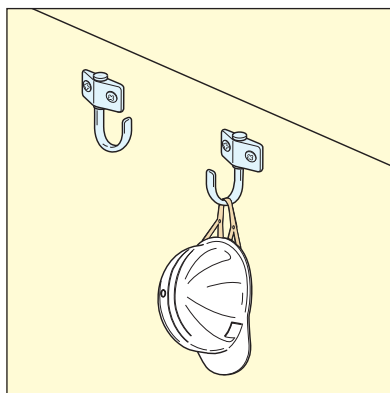
PAT.P

- Swivels 180 degrees.
- Hook has constant torque when swiveling.
- Ideal for vibration or shock applications.

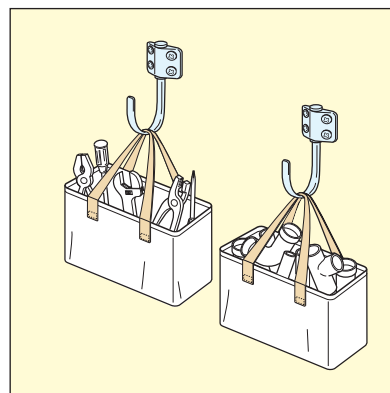
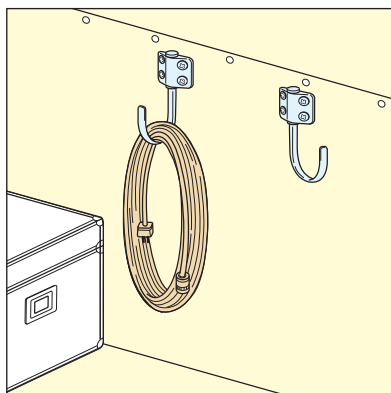


JF-T45

JF-T70



Installation



Item No.	Load Capacity (kg)	Weight (g)	Box (pcs)	Carton (pcs)
JF-T45	10 ( 22 lbs )	90	10	100
JF-T70		225		

Material	Finish
304 Stainless Steel	Mirror