

## NOTICE

- \* Please make sure that you have all parts indicated and they are in good condition before you begin assembly of this item. Refer to part list and hardware list below for guidance.
- \* This item should be assembled on a soft surface to prevent scratching the finished goods during assembly.
- \* This item may require periodic tightening.
- \* If you are having difficulty, our friendly Customer Care team is always here to help. Please email [customersupport@safavieh.com](mailto:customersupport@safavieh.com)

## PREPARATION

- \* Before beginning assembly of product, make sure all parts are present. Compare parts with part contents list and hardware contents list.
- \* If any part is missing or damaged, do not attempt to assemble the product.
- \* Estimated Assembly Time: 20 minutes.
- \* Tools Required for Assembly (included): Allen Key

## CARE AND MAINTENANCE

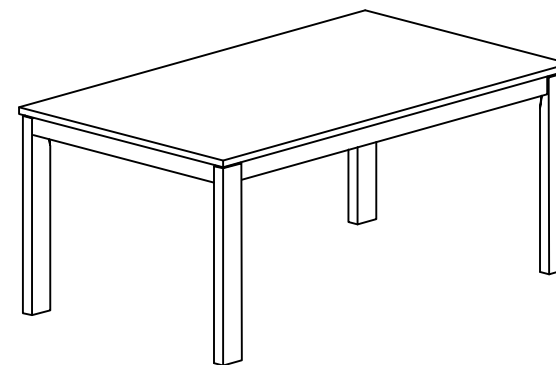
WOOD CARE: Adhesive felt pads should always be applied to areas of furniture which make direct contact with flooring, said application will prevent damage to the furniture and or surfaces on which the furniture lies. Objects placed on articles of furniture should rest on non abrasive material as to prevent damage to the wood finish. Wipe up spills immediately and avoid common hazards such as hot dishes, harsh solvents and abrasives. Cleaning should be done with a soft lint free cotton cloth dampened with water or furniture polish.

# SAFAVIEH

## C O U T U R E

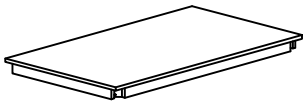
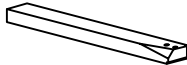

Model# SFV2137



Product Dimensions: 70"W \* 40"D \* 30"H



Weight Capacity : 50 lbs  
Warning : Do not stand on the product  
Warning : Do not over torque bolts

## Part List and Hardware List

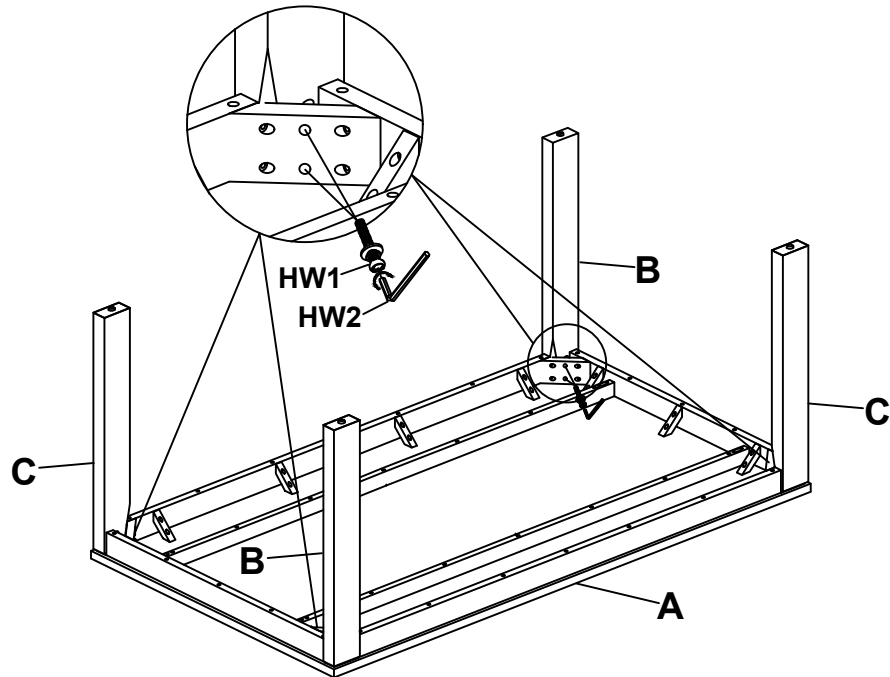
PIECE	DESCRIPTION	PICTURE	QTY
A	TABLE TOP		1x
B	LEFT LEGS		2x
C	RIGHT LEGS		2x

PIECE	DESCRIPTION	PICTURE	QTY
HW1	Hex Socket Bolt	 5/16"-18x3"	8x
HW2	ALLEN KEY M5	 5mm	1x

## PREPARATION

- \* Before beginning assembly of product, make sure all parts are present. Compare parts with part contents list and hardware contents list.
- \* If any part is missing or damaged, do not attempt to assemble the product.
- \* Estimated Assembly Time: 20 minutes.
- \* Tools Required for Assembly (included): Allen Key
- \* If you are having difficulty, our friendly Customer Care team is always here to help. Please email [customersupport@safavieh.com](mailto:customersupport@safavieh.com)

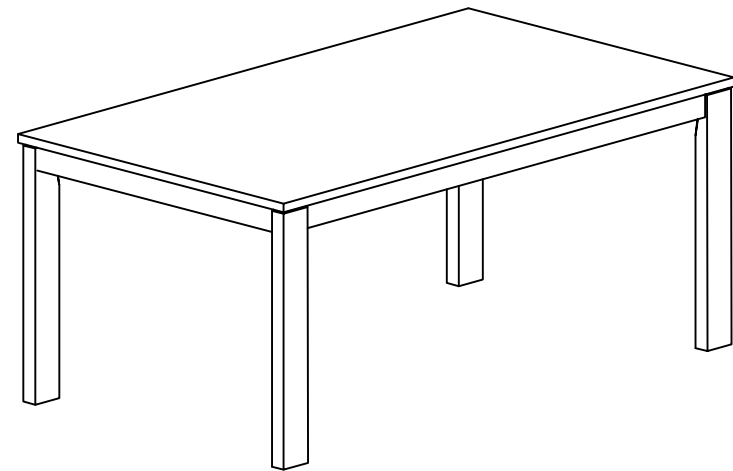
1



- Do not fully tighten the bolts until the product is assembled.

**Step 1 :**  
Attach the 2\*left legs (B) diagonally from each other and the 2\*right legs (C) diagonally from each other to the bottom of the table top (A) by using the Allen key (HW2) to screw in the 8\*Hex Socket Bolts (HW1).

2



- After properly adjusting the product level for stability, then fully tighten all bolts.

**Step 2 :**  
Turn the assembled table upright .  
Assembly is now completed.