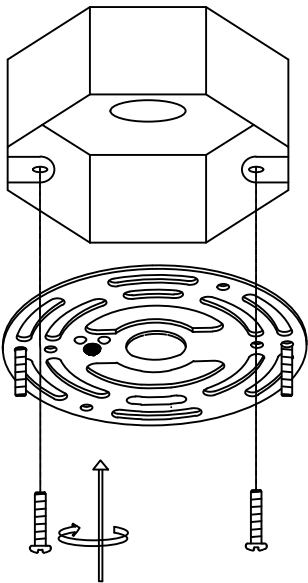


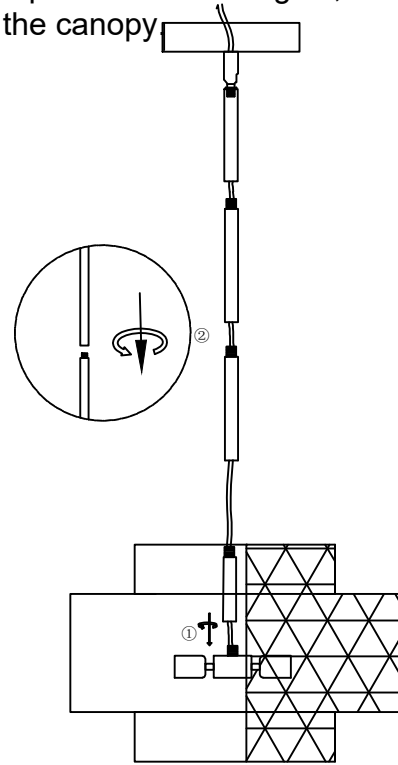
# Installation

L016005-D450-P4W

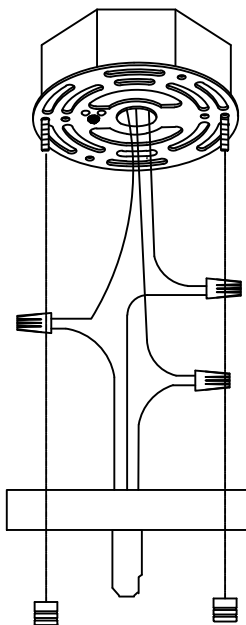
- 1** Install the mounting plate to the outlet box by screws.



- 2** ① Install the support rod to the lamp holder, and put the lamp holder's wire through the shade.  
② Combine the suitable length of rod and put the wire through it, then install to the canopy



- 3** Connect the wire by connector, and fix the canopy to the bracket by ball nut.



- 4** Install E26 bulbs.

